



GAS COMPONENTS



ELECTRIC COMPONENTS



WATER TECHNOLOGY



MECHANICAL COMPONENTS



TOOLS

Spare parts suitable for

ABNER

Find the complete and up-to-date range of products in our GEV Webshop



Manufacturer catalogue

The most important spare parts and accessories arranged clearly for every manufacturer

- ✓ Complete product range and all appliance data always up to date in the GEV Webshop
- ✓ Alphabetical Index at the end of the catalogue

GEV Webshop

www.gev-online.co.uk

www.gev-online.com

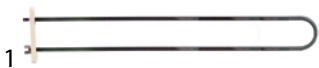


- 🔍 Add to Favourites
- 🔍 Sign In with email address and usual password
- 🔍 Easy-order – place several items in your basket at the same time
- 🔍 Quick Item search – no login needed




heating elements

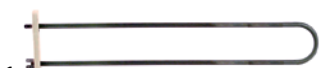
heating elements for bain maries




GEV No.	418320	Ref. No.	M113025
description	heating element 1000W 230V heating circuits 1 L 745mm W 83mm flange length 118mm flange width 32mm hole distance 104mm connection length 16mm connection male faston 6.3mm tube ø 8.8mm rectangular flange hole ø 5mm dry heating element		
For models:	1365		



GEV No.	418321	Ref. No.	M113022
description	heating element 250W 230V heating circuits 1 L 438mm W 82mm connection male faston 6.3mm connection distance 68mm tube ø 8.5mm dry heating element		
For models:	ETV2-6GN1-1, EVT3-2		



GEV No.	418319	Ref. No.	M113026
description	heating element 666W 230V heating circuits 1 L 515mm W 80mm flange length 117mm flange width 29mm hole distance 103mm connection length 15mm connection male faston 6.3mm tube ø 8.5mm rectangular flange hole ø 5mm dry heating element		
For models:	1360, 1368, ETV1-10GN2-1		




GEV No.	418318	Ref. No.	M113044
description	heating element 700W 230V heating circuits 1 L 370mm W 155mm tube ø 8.5mm lug ø 32mm connection length 31mm connection male faston 6.3mm hole ø 3mm dry heating element bracket mounting hole distance 146mm connection distance 146mm		
For models:	1378, CR3200C, EVT3-2		

thermostats


control and safety thermostats

various

control thermostats



GEV No.	375758	Ref. No.	M150164
description	thermostat 1-pole 16A probe ø 6mm probe L 140mm capillary pipe 1370mm capillary pipe isolated 1360mm shaft ø 6x4.6mm shaft position upper rotation 270° 240V		
For models:	1360, 1365, 1368, 1378, CR3200C, ETV1-10GN2-1, ETV2-6GN1-1, EVT3-2		




GEV No.	375759	Ref. No.	M113109
description	thermostat t.max. 95°C temperature range 35-95°C 1-pole 1NO 16A probe ø 6mm probe L 68mm capillary pipe 910mm capillary pipe isolated 860mm gland nut shaft ø 6x4.6mm shaft L 22mm shaft position upper rotation 270° probe material copper 240V		
For models:	1378, CR3200C, EVT3-2		


switches and momentary switches

rocker/momentary rocker switches

30x22mm

labelled




GEV No.	301164	Ref. No.	M110607	
description	rocker switch mounting measurements 30x22mm green 2NO 250V 16A illuminated connection male faston 6.3mm ambient temperature max. 85°C protection IP65 with cover cap			
For models:	1360, 1365, 1368, 1378, CR3200C, ETV1-10GN2-1, ETV2-6GN1-1, EVT3-2			
accessories for	301164			
	GEV No.	301036	Ref. No.	—
	protective cover internal size 30x22mm for rocker switch mounting measurementsmm			

electric accessories

cables

spiral cables



GEV No.	550101	Ref. No.	M112150
description	spiral cable plug type CEE7/7 type E+F 1.5mm ² 3-pole with plug L 500mm expansion 5:1 countries A/B/D/F/I orange t.max. 70°C		
For models:	1360, 1365, 1368, 1378, CR3200C, ETV1-10GN2-1, ETV2-6GN1-1, EVT3-2		

knobs

universal knobs



1

GEV No.	110253	Ref. No.	M111401
description	knob switch zero mark t.max.°C ø 50mm shaft ø 6x4.6mm shaft flat upper black		
For models:	1360, 1365, 1368, 1378, CR3200C, ETV1-10GN2-1, ETV2-6GN1-1, EVT3-2		

producer-specific knobs

ABNER



1

GEV No.	110253	Ref. No.	M111401
description	knob switch zero mark t.max.°C ø 50mm shaft ø 6x4.6mm shaft flat upper black		
For models:	1360, 1365, 1368, 1378, CR3200C, ETV1-10GN2-1, ETV2-6GN1-1, EVT3-2		

handles and hand wheels

handle bars

consoles



1

GEV No.	690939	Ref. No.	M115398
description	console for handle rod tube ø 30mm		
For models:	1360, 1365, 1368, 1378, CR3200C, ETV1-10GN2-1, ETV2-6GN1-1, EVT3-2		

TENTE

with fixing plate

chrome-plated steel



1

GEV No.	710003 ¹	Ref. No.	M116047
description	swivel castor ø 125mm plate fixing housing zinc-plated sheet steel plate size 77x67mm hole distance 61x51mm capacity 100kg bearing slide bearing wheel body polypropylene tread TPE tyres H 160mm wheel width 32mm -20 up to +60°C Qty 1 pcs		
For models:	ETV2-6GN1-1		

¹hole distance 61x51- 56x46



1

GEV No.	710004 ^{1,2}	Ref. No.	M116048
description	swivel castor with swivel brake ø 125mm plate fixing housing chrome-plated sheet steel plate size 77x67mm hole distance 61x51mm capacity 100kg bearing slide bearing wheel body polypropylene tread TPE tyres H 160mm wheel width 32mm -20 up to +60°C Qty 1 pcs		
For models:	ETV2-6GN1-1		

¹hole distance 61x51- 56x46 ²with swivel brake



1

GEV No.	700337	Ref. No.	M116022
description	swivel castor ø 150mm plate fixing housing chrome-plated steel plate size 77x67mm hole distance 61.5x51.5mm capacity 100kg bearing slide bearing wheel body polypropylene tread 32 H 185mm wheel width 32mm -20 up to +60°C Qty 1 pcs		
For models:	ETV1-10GN2-1		





1

GEV No.	700338 ¹	Ref. No.	M116024
description	swivel castor ø 150mm plate fixing housing chrome-plated steel plate size 77x67mm hole distance 61.5x51.5mm capacity 100kg bearing slide bearing wheel body polypropylene tread 32 H 185mm wheel width 32mm -20 up to +60°C Qty 1 pcs		
For models:	ETV1-10GN2-1		

¹with swivel brake




			
1			
GEV No.	700243	Ref. No.	M116003
description	swivel castor ø 160mm plate fixing housing chrome-plated sheet steel plate size 137x105mm hole distance 105x77mm capacity 300kg bearing ball bearing wheel body polypropylene tread TPE tyres H 200mm wheel width 46mm -20 up to +80°C Qty 1 pcs		
For models:	EVT3-2		

			
1			
GEV No.	700244 ¹	Ref. No.	M116004
description	swivel castor with swivel brake ø 160mm plate fixing housing chrome-plated sheet steel plate size 137x105mm hole distance 105x77mm capacity 300kg bearing ball bearing wheel body polypropylene tread TPE tyres H 200mm wheel width 46mm -20 up to +80°C Qty 1 pcs		
For models:	EVT3-2		

¹with swivel brake

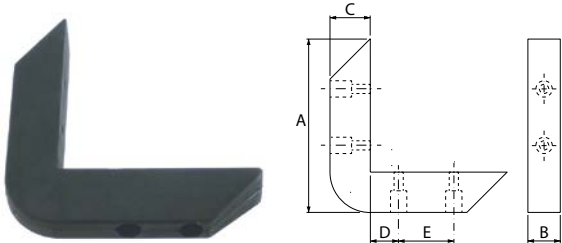
with bolt hole
chrome-plated steel

			
1			
GEV No.	700253	Ref. No.	M116068
description	swivel castor ø 125mm bolt hole bolt hole ø 11mm housing chrome-plated sheet steel capacity 100kg bearing slide bearing wheel body polypropylene tread TPE tyres H 160mm wheel width 32mm -20 up to +60°C Qty 1 pcs		
For models:	1360, 1365, 1368, 1378, CR3200C		

			
1			
GEV No.	700254 ¹	Ref. No.	M116069
description	swivel castor with swivel brake ø 125mm bolt hole bolt hole ø 11mm housing chrome-plated sheet steel capacity 100kg bearing slide bearing wheel body polypropylene tread TPE tyres H 160mm wheel width 32mm -20 up to +60°C Qty 1 pcs		
For models:	1360, 1365, 1368, 1378, CR3200C		

¹with swivel brake

bumper angles


			
1			
GEV No.	690938	Ref. No.	M115503
description	bumper angle outer length 126mm inner length 99mm W 27mm H 29mm mounting distance 30mm hole distance 35mm hole ø 5mm rubber black		
For models:	1360, 1365, 1368, 1378, CR3200C, EVT3-2		

valves and tank inlets

ball valves

universal

ball valves with lever handle

			
1			
GEV No.	514360	Ref. No.	M114900
description	ball valve connection 1/2" IT - 1/2" IT DN15 total length 49mm		
For models:	1360, 1365, 1368, 1378, CR3200C, EVT3-2		

B

ball valves 5

C

cables 3

castors and bumper angles 4

E

electric accessories 3

H

heating elements 3

heating elements for bain maries 3

R

rocker/momentary rocker switches 3

S

spiral cables 3

switches and momentary switches 3

T

thermostats 3

V

valves and tank inlets 5