



GAS COMPONENTS



ELECTRIC COMPONENTS



WATER TECHNOLOGY



MECHANICAL COMPONENTS



TOOLS

Spare parts suitable for

ACOPA

Find the complete and up-to-date range of products in our GEV Webshop



Manufacturer catalogue

The most important spare parts and accessories arranged clearly for every manufacturer

- ✓ Complete product range and all appliance data always up to date in the GEV Webshop
- ✓ Alphabetical Index at the end of the catalogue

GEV Webshop

www.gev-online.co.uk

www.gev-online.com

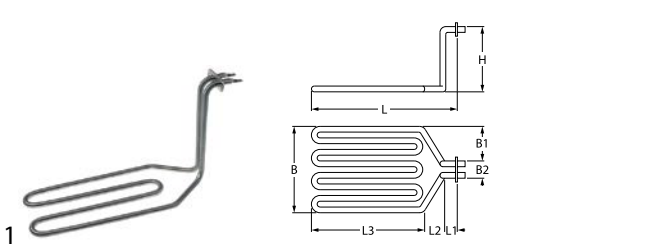


- 🔍 Add to Favourites
- 🔍 Sign In with email address and usual password
- 🔍 Easy-order – place several items in your basket at the same time
- 🔍 Quick Item search – no login needed

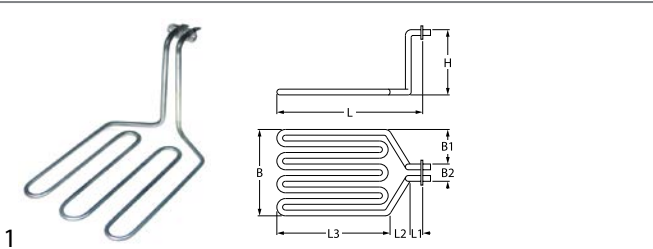


heating elements

heating elements for fryers




GEV No.	418531	Ref. No.	11020
description	heating element 2000W 230V heating circuits 1 L 296mm W 120mm H 170mm rectangular flange connection male faston 6.3mm immersion heater L1 14mm L2 70mm L3 212mm W1 50mm W2 27mm hole distance 40mm windings 2 hole ø 4mm flange length 51mm flange width 22mm tube ø 8.5mm connection length 37mm		



GEV No.	418501	Ref. No.	11030
description	heating element 3000W 230V heating circuits 1 L 280mm W 191mm H 164mm rectangular flange connection male faston 6.3mm L1 15mm L2 35mm L3 230mm W1 80mm W2 31mm hole distance 40mm windings 3 hole ø 4mm flange length 50mm flange width 22mm		

accessories

capillary tube clips



GEV No.	550491	Ref. No.	15012
description	capillary tube clip for pipe ø 8.5mm for circular tube heating elements		

hot plates

round

with radiused edge

for domestic and commercial kitchens



GEV No.	490179	Ref. No.	21022
description	hot plate ø 165mm 1000W 230V connection plug-in connection with 8mm spill ring		


thermostats

control and safety thermostats

EGO

control thermostats


55.17_ series



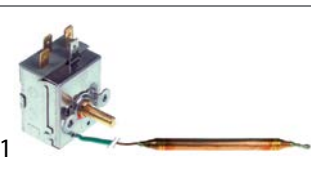
GEV No.	375436	Ref. No.	10010
description	thermostat t.max. 184°C temperature range 70-184°C 1-pole 1NO 16A probe ø 6mm probe L 87mm capillary pipe 490mm capillary pipe isolated 250mm gland nut shaft ø 6x4.6mm shaft L 23mm shaft position upper rotation 270°		

IMIT / TEMPOMATIC / ARTERMO

control thermostats



GEV No.	375490	Ref. No.	10010
description	thermostat t.max. 184°C 1-pole probe ø 6.5mm probe L 70mm capillary pipe 500mm capillary pipe isolated 200mm gland nut shaft ø 6x4.6mm rotation 270°		



GEV No.	375805	Ref. No.	10020
description	thermostat t.max. 90°C temperature range 0-90°C 1-pole 1CO 15A probe ø 6.5mm probe L 85mm capillary pipe 1000mm capillary pipe isolated 900mm gland nut shaft ø 6x4.6mm shaft L 19mm rotation 270°		

**TECASA**

safety thermostats



GEV No.	375195	Ref. No.	10030
description	safety thermostat switch-off temp. 240°C 1-pole 16A probe ø 4mm probe L 84mm capillary pipe 400mm capillary pipe isolated 130mm gland nut probe SS		

accessories

capillary tube clips




GEV No.	550491	Ref. No.	15012
description	capillary tube clip for pipe ø 8.5mm for circular tube heating elements		

switches and momentary switches

rocker/momentary rocker switches

30x22mm



GEV No.	301001	Ref. No.	10013
description	rocker switch mounting measurements 30x22mm red 2NO 250V 16A illuminated 0-I connection male faston 6.3mm ambient temperature max. 125/55°C protection IP65		
accessories for	301001		
	GEV No.	301036	Ref. No.
			—
description	protective cover internal size 30x22mm for rocker switch mounting measurementsmm		

lamps

indicator lights

indicator lights (complete)

ø13mm

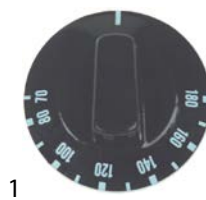
with plug-in socket



GEV No.	359143	Ref. No.	14010
description	indicator light ø 13mm yellow 230V connection male faston 6.3mm temp.-resist. 120°C Qty 1 pcs		

knobs

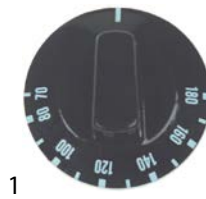
universal knobs



GEV No.	112121	Ref. No.	09031
description	knob thermostat t.max. 180°C ø 48mm shaft ø 6x4.6mm shaft flat upper temperature range 70-180°C rotation 270°		

producer-specific knobs

ACOPA

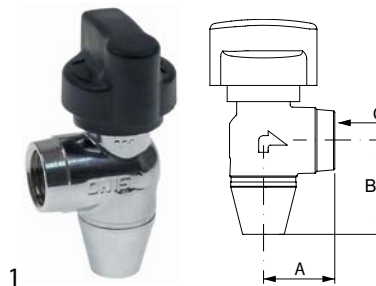


GEV No.	112121	Ref. No.	09031
description	knob thermostat t.max. 180°C ø 48mm shaft ø 6x4.6mm shaft flat upper temperature range 70-180°C rotation 270°		

fittings for catering equipment

outlet taps

universal



GEV No.	540747	Ref. No.	07011
description	outlet tap chrome-plated brass angled W 30mm H 40mm thread 1/2" IT		

producer-specific

miscellaneous





GEV No.	514158	Ref. No.	23016
description	drain pipe L 64mm thread 1/2" IT - 1/2" ET T1: 1/2" ET T2: 1/2" IT dimensions 25x25mm		




equipment feet and end caps

equipment feet with stem

1 			
GEV No.	697912	Ref. No.	09050
description	equipment feet kit ø 14mm H 4mm mounting ø 6mm overall height 19mm rubber Qty 4 pcs		



1 			
GEV No.	527380	Ref. No.	09050
description	equipment foot ø 12mm H 2.5mm mounting ø 6mm Qty 4 pcs		

1 			
GEV No.	697911	Ref. No.	09050
description	equipment foot ø 14mm H 4mm mounting ø 6mm overall height 19mm rubber Qty 1 pcs		

baskets

fryer baskets

ACOPA			
1 			
GEV No.	970186	Ref. No.	05020 C11221
description	fryer basket L1 245mm W1 220mm H1 95mm chrome-plated steel hinged handle		

1 			
GEV No.	970181	Ref. No.	05010
description	fryer basket L1 255mm W1 135mm H1 100mm chrome-plated steel hinged handle		
accessories for	970181		
	GEV No.	694989	Ref. No. —
	handle L 130mm W 35mm for fryer basket plastic		

C

capillary tube clips	4
control thermostats	3, 3

H

heating elements	3
heating elements for fryers	3
hot plates	3

I

indicator lights	4
indicator lights (complete)	4

L

lamps	4
-------	---

R

rocker/momentary rocker switches	4
----------------------------------	---

S

switches and momentary switches	4
---------------------------------	---

T

thermostats	3
-------------	---