



GAS COMPONENTS



ELECTRIC COMPONENTS



WATER TECHNOLOGY



MECHANICAL COMPONENTS



TOOLS

Spare parts suitable for

AFINOX

Find the complete and up-to-date range of products in our GEV Webshop



Manufacturer catalogue

The most important spare parts and accessories arranged clearly for every manufacturer

- ✓ Complete product range and all appliance data always up to date in the GEV Webshop
- ✓ Alphabetical Index at the end of the catalogue

GEV Webshop

www.gev-online.co.uk

www.gev-online.com




- 🔍 Add to Favourites
- 🔍 Sign In with email address and usual password
- 🔍 Easy-order – place several items in your basket at the same time
- 🔍 Quick Item search – no login needed




heating elements

heating elements for refrigeration

heating elements for defrosting



GEV No.	417597	Ref. No.	73636302
description	heating element 400W 230V L 375mm W 190mm L1 30mm L2 345mm W1 100mm W2 90mm cable length 900mm tube ø 8.5mm immersion heater defrosting		




GEV No.	417596	Ref. No.	73636304
description	heating element 600W 230V L 580mm W 190mm L1 25mm L2 555mm W1 110mm W2 80mm cable length 900mm tube ø 8.5mm immersion heater defrosting		


heating cables

connection on both sides

with wire end ferrules



GEV No.	420379	Ref. No.	73636204
description	heating cable 25.2W 230V L 3900mm L1 (unheated) 1800mm L2 (heated) 2100mm for blast chiller		




GEV No.	420378	Ref. No.	73636194 73636208
description	heating cable 36W 230V L 4500mm L1 (unheated) 1500mm L2 (heated) 3000mm for blast chiller		




GEV No.	420380	Ref. No.	73636210
description	heating cable 44W 230V L 6500mm L1 (unheated) 2650mm L2 (heated) 3650mm for blast chiller		

connection on both sides (metal braided)



GEV No.	417602	Ref. No.	73632024
description	heating cable 52W 230V L1 (unheated) 200mm L2 (heated) 6500mm door frame heating L 6700mm connection cable		

foil heating elements





GEV No.	416371	Ref. No.	70259058
description	foil heating element L 400mm W 290mm 1000W 230V t.max. 140°C with temperature limiter silicone cable length 2000mm thickness 1mm		

switches and momentary switches

rocker/momentary rocker switches


25.5x25mm



GEV No.	347657 ¹	Ref. No.	74742012	
description	rocker switch mounting measurements 25x25mm yellow 2NO 250V 16A illuminated lighting connection male faston 6.3mm ambient temperature max. 100/55°C protection IP40			
accessories for	347657			
	GEV No.	301323	Ref. No.	—
	protective cover external size 35x35mm H 11mm transparent suitable for rocker switch mounting measurements 25.5x25mm L 35mm W 35mm			

¹illuminated


27.8x25mm




GEV No.	347656 ¹	Ref. No.	74742010 74742011
description	rocker switch mounting measurements 27.8x25mm green 2NO 250V 16A illuminated 0-1 connection male faston 6.3mm		

¹illuminated

30x22mm



GEV No.	347112	Ref. No.	74742008 74742025	
description	rocker switch mounting measurements 30x22mm green 2NO 250V 16A illuminated ON-OFF connection male faston 6.3mm ambient temperature max. 85°C protection IP40			
accessories for	347112			
	GEV No.	301036	Ref. No.	—
	protective cover internal size 30x22mm for rocker switch mounting measurementsmm			



microswitches

with push button

switches with snap-fit



GEV No.	348008	Ref. No.	78010438
description	microswitch with push button 250V 2.5A 1NO/1NC connection male faston 2.8mm/6.3mm L 27mm L1 22mm ambient temperature max. 104°C actuating force: 180g		

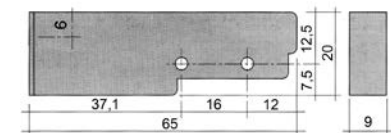
non-standard



GEV No.	348019	Ref. No.	74742200
description	microswitch with cable		

magnetic switches

65x20mm



GEV No.	344998 ¹	Ref. No.	74742196 74742197
description	magnetic switch L 65mm W 20mm 1NO 250V 0.4A P max. 25W connection male faston 6.3mm cable length 2000mm		

¹with coded connector

lamps

indicator lights

indicator lights (complete)

ø 6mm



GEV No.	359038	Ref. No.	74742108
description	indicator light ø 6mm 230V red		

linear lamps

infrared lamps

with base type R7s



GEV No.	357233	Ref. No.	74751011
description	infrared lamp socket R7s L 190mm 235V 200W OSRAM		



GEV No.	357019	Ref. No.	74751020
description	infrared lamp socket R7s L 254mm 235V 500W IMPORT		

sockets for linear lamps

R7s



GEV No.	359735	Ref. No.	74741636
description	lamp socket socket R7s 250V ømm L 16mm W 25mm H 40mm connection cable 230mm mounting distancemm		



GEV No.	357234	Ref. No.	74741632
description	lamp socket socket R7s ø 18mm H 27mm connection cable 2000mm mounting distancemm mounting thread M14x1 cable material PTFE Qty 1 pcs		



contactors

GENERAL ELECTRIC (AEG)

power contactors



1

GEV No.	380263	Ref. No.	74700506
description	power contactor resistive load 32A 230VAC (AC3/400V) 17A/7.5kW main contacts 4NO auxiliary contacts connection screw connection type AEG LS7K 400A type GE CL00A 310		

electronic controllers

CAREL

refrigeration controllers

built-in version



1

GEV No.	378301	Ref. No.	74700742
description	electronic controller CAREL mounting measurements 71x29mm built-in depth 65mm 250V voltage AC NTC relay outputs 12A/10A with screw clamps protection IP65 -50 up to +90°C display 2½ digits + algebraic sign resolution 1°C RoomTempIN 1 TempIN3 1 type PJAOS0A01K front measurements 81x36mm		

CAREL 71 x 29mm



1

GEV No.	378329	Ref. No.	74700881
description	electronic controller CAREL PYAO1C0522 mounting measurements 71x29mm built-in depth 59mm 230V voltage AC NTC relay outputs 1 CO-12A(2) NTC yes protection IP65 -50 up to +90°C display 3½ digits		



1

GEV No.	378370	Ref. No.	74700883
description	electronic controller CAREL PYAO1R0523 mounting measurements 71x29mm built-in depth 74mm 230V voltage AC NTC relay outputs 3 NO-10A(10) CO-8A(4) NO-8A(4) NTC NTC DI yes protection IP54 -50 up to +90°C display 3½ digits		

probes

universal probes

temperature probes



1

GEV No.	379161	Ref. No.	74700916
description	temperature probe NTC 10kOhm cable thermoplastic probe -40 up to +110°C cable -40 up to +110°C probe ø6x14mm cable length 3m without screw connection 2-wire		



1

GEV No.	381468	Ref. No.	74700917
description	temperature probe NTC 10kOhm probe -50 up to +110°C probe ø5x20mm cable length 1.5m protection IP67		

producer-specific probes

probes



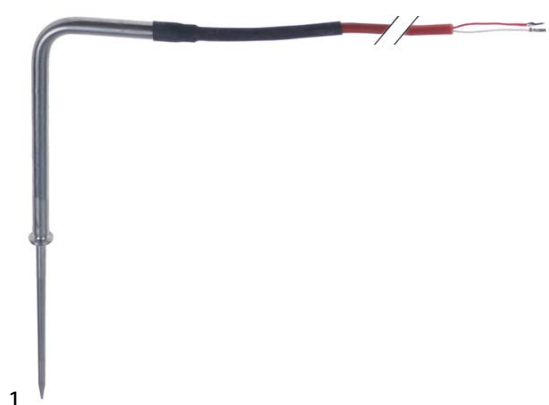
1

GEV No.	403511	Ref. No.	74700999
description	temperature probe PTC 1kOhm cable silicone probe -50 up to +150°C cable -50 up to +180°C connection 2-wire thread probe ø5.9x29mm cable length 3m		

→ electric components



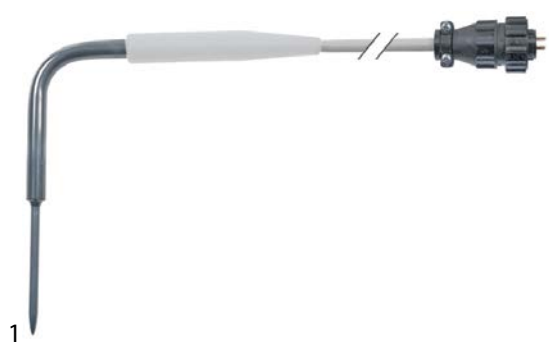
core probes



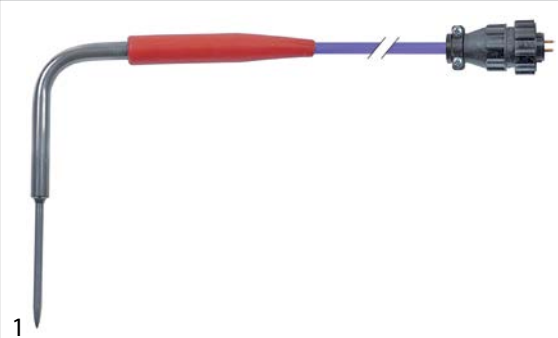
GEV No.	379707	Ref. No.	74700998
description	core temperature probe cable silicone cable -50 up to +180°C connection 2-wire probe ø5x100mm thread cable length 3m handle ø 8mm handle length 120mm		



GEV No.	523049	Ref. No.	74700124
description	core temperature probe NTC cable silicone probe -40 up to +110°C cable -50 up to +180°C connection 2-wire probe ø4.5x80mm thread cable length 1m handle ø 16mm handle length 120mm L1 50mm L2 165mm		



GEV No.	379759	Ref. No.	74700112
description	core temperature probe Pt100 cable silicone probe -40 up to +120°C cable -50 up to +180°C connection plug probe ø4.5x80mm thread cable length 1m handle ø 10mm handle length 120mm L1 150mm L2 85mm		



GEV No.	378364	Ref. No.	74700116
description	core temperature probe PTC cable silicone probe -40 up to +120°C cable -50 up to +180°C connection plug probe ø4.5x170mm thread cable length 1m handle ø 16mm handle length 100mm		



GEV No.	381445	Ref. No.	74700945
description	core temperature probe PTC cable silicone probe -50 to +120°C cable -50 up to +180°C connection 2-wire probe ø6x110mm thread cable length 2.5m handle ø 9mm handle length 80mm		

electronics

PCBs



GEV No.	403474	Ref. No.	74701062
description	display PCB blast freezer CT1TM0010003 L 90mm W 80mm suitable for AFINOX		



GEV No.	403720	Ref. No.	74701064
description	keypad PCB L 275mm W 48mm		



GEV No.	403475	Ref. No.	74701063
description	PCB blast freezer L 118mm W 80mm suitable for AFINOX model EVC80S10P7AFX00		



compressors

EMBRACO / ASPERA

R290A

LBP monophase

Lower evaporation temperature below -20°C

R290



1

GEV No.	605199	Ref. No.	74865548
description	compressor coolant R290 type NT2180U 220-240V 50Hz LBP 18.2kg 1HP cylinder capacity 22.4cm ³ CSR H 234mm 653W 835W 1047W 1290W 1563WWWWW		

HBP monophase

High evaporation temperature above -15°C

R290



1

GEV No.	605198	Ref. No.	74861566
description	compressor coolant R290 type EMT6165U 220-240V 50Hz HBP 7.8kg 1/3HP cylinder capacity 5.96cm ³ CSIR H 166mmWW 330W 402W 485W 580W 690W 822W 978W ambient temperature max. 54.4°C		

R404a/R507

LBP monophase

Lower evaporation temperature below -20°C



1

GEV No.	605260	Ref. No.	74865760
description	compressor coolant R404A type NT2192GK 220/240V 50Hz LBP 17.5kg 1.1HP cylinder capacity 22.37cm ³ CSCR 815W 1066W 1361W 1701W 2085WWWWW		



1

GEV No.	605078	Ref. No.	8R07B/5.5
description	compressor coolant R404a/R507 type NT2180GK 220-240V 50Hz LBP fully hermetic 17.3kg 1HP cylinder capacity 20.44cm ³ CSIR H 221mm 515W 598W 682W 769W 859W 956WWWWW test method ASHRAE		

HMBP monophase

High/Medium evaporation temperature above -20/-15 °C

embraco



1

GEV No.	605004	Ref. No.	74865635
description	compressor coolant R404a/R507 type EMT6152GK 220-240V 50Hz HMBP fully hermetic 7.8kg 1/5HP cylinder capacity 4.5cm ³ CSIR H 166mmWWW 267W 332W 351W 437W 535W 646W 769W test method ASHRAE		




1

GEV No.	605165	Ref. No.	74865634
description	compressor coolant R404a/R507 type NT6226GK 220-240V 50Hz HMBP 18.1kg 1HP cylinder capacity 22.4cm ³ CSR H 234mmW 1314W 1650W 2058W 2532W 3068W 3658W 4298W		

evaporation and condensing trays

evaporation trays heated



1

GEV No.	750355	Ref. No.	73681793
description	evaporation tray heated L 485mm W 42mm H 154mm 110-260V		




fans

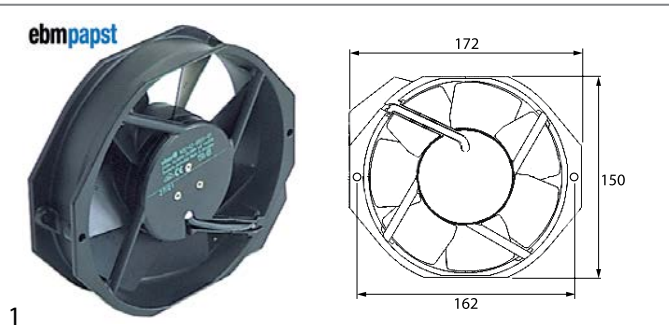
axial fans

ebm-papst



1			
GEV No.	601634 ¹	Ref. No.	74847154
description	axial fan L 119mm W 119mm H 25mm 230VAC 50Hz 14W bearing ball bearing manuf. no. 9956 connection male faston 2.8mm ebm-papst		
accessories for	601634		
	GEV No.	692497	Ref. No. —
	guard ø 105mm mounting distance 150mm for axial fan ebm-papst-mm		

¹with ball bearings




1			
GEV No.	601113 ¹	Ref. No.	74845068
description	axial fan L 172mm W 150mm H 38mm 230VAC 50/60Hz 27/28W bearing ball bearing connection male faston 2.8mm manuf. no. 7056ES metal ebm-papst fan wheel ø 145mm temp.-resist. 55°C		


¹with ball bearings

import





1			
GEV No.	601080 ¹	Ref. No.	74845089
description	axial fan L 119mm W 119mm H 38mm 230VAC 50/60Hz 23/20W bearing ball bearing connection male faston 2.8mm metal ADDA fan wheel ø 110mm temp.-resist. 70°C		
accessories for	601080		
	GEV No.	550898	Ref. No. —
	connecting cable cable length 2000mm connection F 2.8 connection distance 7.9mm for axial flow fan		

¹with ball bearings

accessories for	601080		
	GEV No.	692519	Ref. No. —
	guard L 120mm W 120mm plastic		



1			
GEV No.	601055 ¹	Ref. No.	74845091
description	axial fan L 92mm W 92mm H 25mm 230VAC 50/60Hz 14.5/14W bearing ball bearing connection male faston 2.8mm metal ADDA fan wheel ø 85mm temp.-resist. 70°C		
accessories for	601055		
	GEV No.	550898	Ref. No. —
	connecting cable cable length 2000mm connection F 2.8 connection distance 7.9mm for axial flow fan		
	GEV No.	691103	Ref. No. —
	guard ø 90mm mounting distance 83mm for axial fan 92mm		

¹with ball bearings


refrigeration fans

refrigeration motors universal

ebm-papst


multi fit fan motors



1			
GEV No.	601757	Ref. No.	74848152
description	fan motor 10W 230V 50/60Hz L1 43.5mm L3 82mm W 67mm cable length 1500mm 1300/1550rpm ebm-papst M4Q045-CA03-75 5 mounting options bearing slide bearing		
spare parts for	601757		
	GEV No.	601413	Ref. No. —
	fixing plate suitable for fanwheel ED ø 32mm shaft ø 7 mounting distance 26mm		

cooling motors (various)

accessories for cooling fan




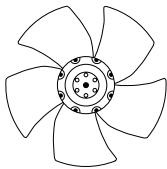
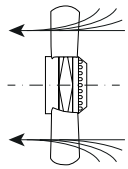
1

GEV No.	601981	Ref. No.	74837108
description	guard for fan wheel ø 230mm suitable for AFINOX		


cold air circulating fans (complete)

ebm-papst


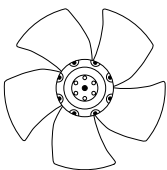
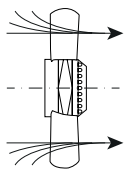
A2E series


1


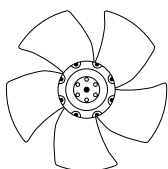
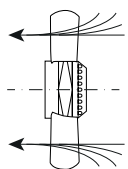
GEV No.	601960	Ref. No.	74845062	
description	fan A2E250-AM06-13 fan wheel ø 250mm blades 9 230V 50Hz 120W 2500rpm cable length 1000mm ebm-papst sucking suitable capacitor 3µF			
accessories for	601960			
	GEV No.	365137	Ref. No.	—
		capacitor capacity 3µF 450V tolerance 5% 50/60Hz ambient temperature max. -25 to +85°C ø 25mm L 56mm M8 plastic connection cable 250mm 416.17.7GF protection		

A4E series







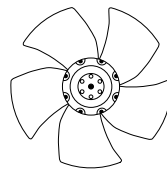
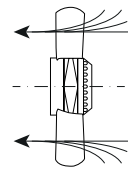
1

GEV No.	601622	Ref. No.	74845072	
description	fan A4E315-AC08-18 fan wheel ø 315mm blades 5 230V 50Hz 95W 1370rpm cable length 450mm ebm-papst blowing suitable capacitor 3µF			
accessories for	601622			
	GEV No.	601955	Ref. No.	—
		guard ebm-papst for fan wheel ø 315mm ø 330mm hole distance 371mm H 65mm		






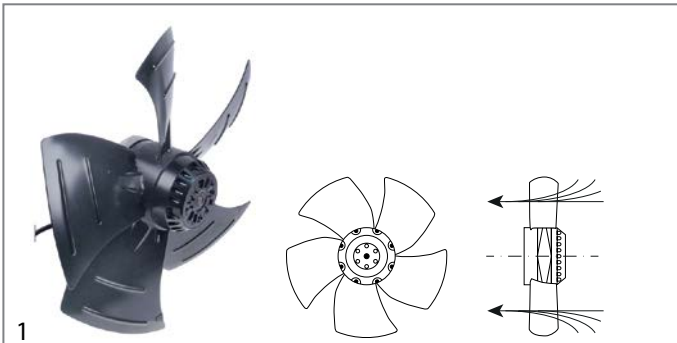
1


GEV No.	601961	Ref. No.	74845082	
description	fan A4E250-AI02-09 fan wheel ø 250mm blades 9 230V 50/60Hz 45/48W 1380/1620rpm cable length 1500mm ebm-papst sucking suitable capacitor 1.5µF suitable for blast chiller			
spare parts for	601961			
	GEV No.	365171	Ref. No.	—
		capacitor capacity 1.5µF 400V tolerance 5% 50/60Hz ambient temperature max. -40 up to +85°C ø 25mm L 50mm M8 plastic connection cable 250mm MLR25PRL		

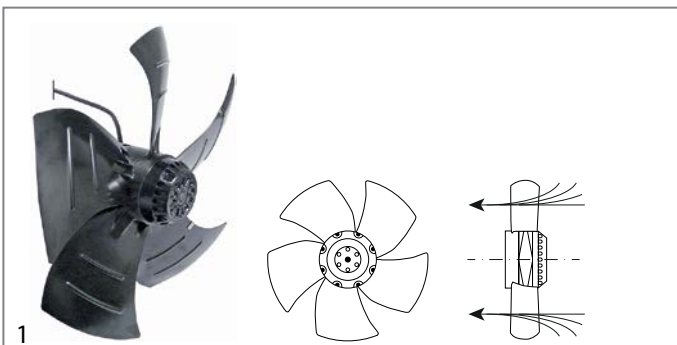




1

GEV No.	601626	Ref. No.	74845074	
description	fan A4E350-AN19-01 fan wheel ø 350mm blades 5 230V 50Hz 158/200W 1270rpm cable length 450mm ebm-papst sucking suitable capacitor 4µF			
accessories for	601626			
	GEV No.	601950	Ref. No.	—
		guard ebm-papst for fan wheel ø 350mm ø 375mm hole distance 300mm H 80mm		

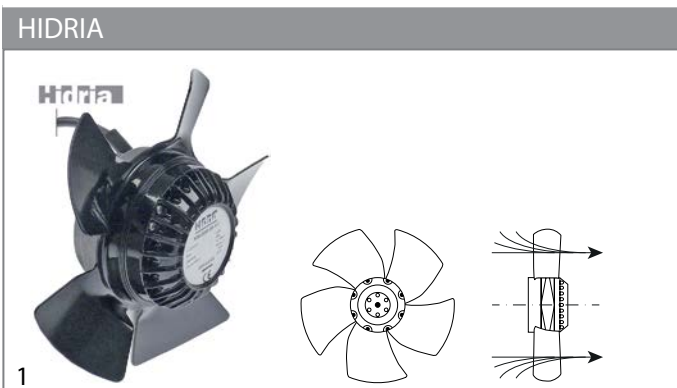




GEV No.	601627	Ref. No.	74845078
description	fan A4E400-AP02-01 fan wheel ø 392mm blades 5 230V 50Hz 160W 940rpm cable length 450mm ebm-papst sucking suitable capacitor 6µF		
accessories for	601627		
	GEV No.	601956	Ref. No. —
	guard ebm-papst for fan wheel ø 400mm ø 440mm hole distance 490mm H 85mm		



GEV No.	602045	Ref. No.	70704
description	fan A4E450-AP01-01 fan wheel ø 450mm blades 5 230V 50/60Hz 245/355W mounting distance 65mm 1400/1600rpm connection 4-wire cable length 500mm rotation direction left ebm-papst sucking suitable capacitor MLR25PRLµF		

HIDRIA




GEV No.	602043	Ref. No.	74845152
description	fan type R09E-2026P-2M-1611 fan wheel ø 200mm 230V 50/60Hz 45W suitable capacitor 1.5µF HIDRIA suitable for AFINOX 2680rpm blowing cable length 1300mm		
accessories for	602043		
	GEV No.	365171	Ref. No. —
	capacitor capacity 1.5µF 400V tolerance 5% 50/60Hz ambient temperature max. -40 up to +85°C ø 25mm L 50mm M8 plastic connection cable 250mm MLR25PRL		

cross flow fans

EMMEVI - FERGAS

with moulded coils




GEV No.	601852	Ref. No.	74845036
description	cross flow fan roller ø 60mm roller length 420mm laminated core thickness 40mm motor position right 230V/50Hz 65W refrigeration bearing rubber connection cable -10 up to +60°C 230V cable length 2000mm with moulded coil		

condensators & interference suppression filters

operating capacitors

plastic




GEV No.	365205	Ref. No.	74742178
description	operating capacitor capacity 3.15µF 450V tolerance 5% 50/60Hz ambient temperature max. °C ø 28mm L 60mm M8 plastic connection male faston 6.3mm 74742178 protection		

equipment-specific units

for fridges

housing and bezels

covers



GEV No.	694954	Ref. No.	72600058
description	cover for fridge L 1600mm W 45mm H 9mm Qty 1 pcs AGX700		



locks

locking devices

producer-specific

AFINOX



1

GEV No.	601982	Ref. No.	74707380
description	key cylinder straight thread M20x1 rotation 90° suitable for AFINOX cylinder 30mm		

snap locks

producer-specific

AFINOX



1

GEV No.	694769	Ref. No.	74702045+74702043
description	snap lock L 13mm with plug-in lock refrigerator		

hinges

spring assisted hinges

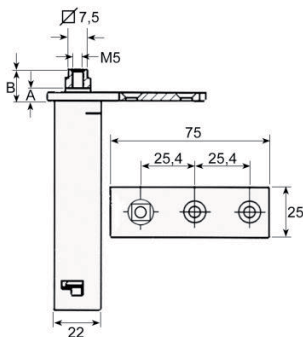
universal

INTERKLIMAT

hinges



1



GEV No.	690714	Ref. No.	74708096
description	spring assisted hinge series 28XC mounting pos. left/right L 75mm W 25mm H 103mm A 8mm B 11mm intake 7.5x7.5 refrigeration units mounting distance 25mm		

door bearing



1

GEV No.	692542	Ref. No.	74708200
description	bracket L 180mm H 7mm mounting pos. upper without bolt suitable for AFINOX		



1

GEV No.	692573	Ref. No.	74708202
description	bracket L 230mm W 32mm H 14mm mounting pos. lower without bolt suitable for AFINOX		



1

GEV No.	701434	Ref. No.	74702088
description	bush H 8mm \varnothing 20mm ID \varnothing 6mm black for hinge Qty 1 pcs		

pullouts

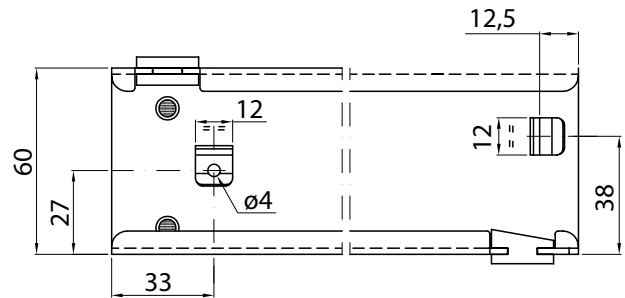
drawer slides

universal

compeX



1



GEV No.	696714 ¹	Ref. No.	74703170+74703172
description	drawer slide L 550mm pull-out length 610mm total length 1160mm Qty 1 pair capacity 50kg W 16mm H 60mm SS telescopic		


spare parts for 696714


	GEV No.	690750	Ref. No.	74702948
	description	stop for telescopic rail L 20mm plastic H 12mm D 9mm		

	GEV No.	696333	Ref. No.	74702946
	description	stop for telescopic rail L 20mm plastic H 15mm D 8mm		


¹multiple slide (60mm more than nominal length)

accessories

			
1			
GEV No.	690750	Ref. No.	74702948
description	stop for telescopic rail L 20mm plastic H 12mm D 9mm		

			
1			
GEV No.	696333	Ref. No.	74702946
description	stop for telescopic rail L 20mm plastic H 15mm D 8mm		


components


			
1			
GEV No.	701435	Ref. No.	74702197
description	equipment foot tube ø 60mm plate size mm hole distance mm H 247mm SS size 2 1/3" Qty 1 pcs		

DERBY RUOTE

with fixing plate

chrome-plated steel

			
1			
GEV No.	701423	Ref. No.	71379634
description	swivel castor with swivel brake ø 125mm plate fixing housing chrome-plated sheet steel plate size 95x70mm hole distance 70x50mm capacity 100kg bearing cup-and-cone bearing wheel body polypropylene tread TPE tyres H 162mm wheel width 30mm Qty 1 pcs		


			
1			
GEV No.	701422	Ref. No.	71379633
description	swivel castor without brake ø 125mm plate fixing housing chrome-plated sheet steel plate size 95x70mm hole distance 70x50mm capacity 100kg bearing cup-and-cone bearing wheel body polypropylene tread TPE tyres H 162mm wheel width 30mm Qty 1 pcs		

equipment feet and end caps


equipment feet

with screw mounting

components

			
1			
GEV No.	701435	Ref. No.	74702197
description	equipment foot tube ø 60mm plate size mm hole distance mm H 247mm SS size 2 1/3" Qty 1 pcs		

with fixing plate

			
1			
GEV No.	701433	Ref. No.	74702204 74702570
description	equipment foot tube ø 64mm plate size 100x100mm hole distance 70x70mm H 140-240mm SS size 2 1/2" Qty 1 pcs		



shelves and shelf rails




grates

universal

without upstand






1

GEV No.	970120	Ref. No.	74768006
description	grate W 325mm D 530mm GN 1/1 chrome-plated steel wire gauge frame 7mm lengthwise wires gauge 4mm crossing wires 1		
accessories for	970120		
	GEV No.	690330	Ref. No. —
	rack L 1000mm W 22mm H 4mm aperture 3x8mm hole distance 12.5mm stainless steel		
	GEV No.	694700	Ref. No. —
	shelf support L 31/28mm W 22mm H 18mm SS Qty 12 pcs		
	GEV No.	694701	Ref. No. —
	shelf support L 31/28mm W 22mm H 17mm SS with hook Qty 12 pcs		



1

GEV No.	970126	Ref. No.	74768026 GRP001
description	grate W 530mm D 650mm GN 2/1 plastic-coated steel wire gauge frame 8mm lengthwise wires gauge 5mm crossing wires 2 white suitable for refrigerator		
accessories for	970126		
	GEV No.	690330	Ref. No. —
	rack L 1000mm W 22mm H 4mm aperture 3x8mm hole distance 12.5mm stainless steel		
	GEV No.	694700	Ref. No. —
	shelf support L 31/28mm W 22mm H 18mm SS Qty 12 pcs		
	GEV No.	694701	Ref. No. —
	shelf support L 31/28mm W 22mm H 17mm SS with hook Qty 12 pcs		

shelf rails and supports

producer-specific



1

GEV No.	692541	Ref. No.	72604960
description	guide L-shape L 350mm W 30mm H 10mm mounting pos. L-R for blast chiller suitable for AFINOX		



1

GEV No.	692617	Ref. No.	74701911
description	guide U-shape L 550mm W 16mm mounting pos. left/right inner height 20mm		



1

GEV No.	692539	Ref. No.	72606874
description	guide U-shape L 568mm W 22mm mounting pos. left/right inner height 15mm		



1


GEV No.	692540	Ref. No.	74702242+74702240
description	pair of setting bar U-shape L 563mm W 32mm mounting pos. left/right hook width 11mm inner height 12mm		



1

GEV No.	692656	Ref. No.	74703220+74703222
description	pair of setting bar U-shape L 639mm W 22mm H 18mm		



			
GEV No.	690969	Ref. No.	74769022
description	shelf support L 33/28mm W 22mm H 18mm		

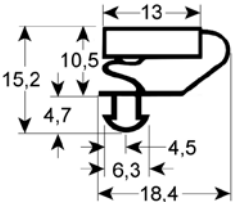
gaskets

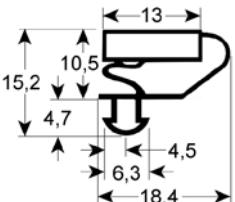
refrigeration gaskets

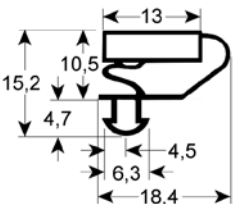
plug-in gaskets

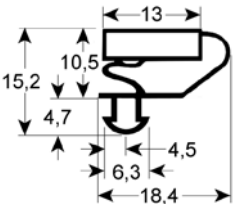
profile 9703

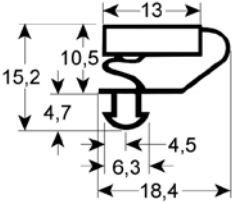
We offer custom-made gaskets for this profile

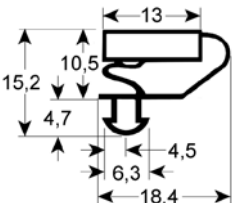
			
GEV No.	901074	Ref. No.	74702646
description	refrigeration gasket profile 9703 W 170mm L 450mm plug size		

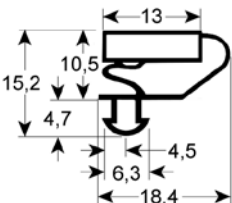
			
GEV No.	901073	Ref. No.	74702648 74702742
description	refrigeration gasket profile 9703 W 270mm L 450mm plug size		

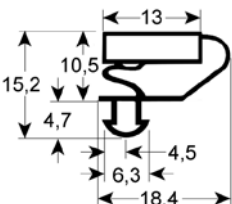
			
GEV No.	901841	Ref. No.	74702768
description	refrigeration gasket profile 9703 W 305mm L 375mm plug size for blast chiller		

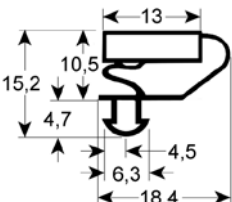
			
GEV No.	901182	Ref. No.	74702660
description	refrigeration gasket profile 9703 W 362mm L 604mm plug size		

			
GEV No.	901840	Ref. No.	74702760
description	refrigeration gasket profile 9703 W 362mm L 606mm plug size for blast chiller		

			
GEV No.	901203	Ref. No.	74702770
description	refrigeration gasket profile 9703 W 369mm L 701mm plug size for blast chiller		

			
GEV No.	901202	Ref. No.	74702772
description	refrigeration gasket profile 9703 W 428mm L 701mm plug size for blast chiller		

			
GEV No.	901075	Ref. No.	74702684 74702788
description	refrigeration gasket profile 9703 W 456mm L 514mm plug size L1 505mm W1 447mm external size		

			
GEV No.	901071	Ref. No.	74702640 74702730
description	refrigeration gasket profile 9703 W 462mm L 592mm plug size L1 585mm W1 455mm external size		



GEV No.	901793	Ref. No.	74702784
description	refrigeration gasket profile 9703 W 526mm L 1126mm plug size		

GEV No.	901617	Ref. No.	74702698
description	refrigeration gasket profile 9703 W 655mm L 745mm plug size		

GEV No.	901072	Ref. No.	74702734
description	refrigeration gasket profile 9703 W 537mm L 593mm plug size L1 584mm W1 528mm external size		

GEV No.	901066	Ref. No.	73684536
description	refrigeration gasket profile 9703 W 656mm L 1585mm plug size L1 1575mm W1 646mm external size		

GEV No.	901621	Ref. No.	74702732
description	refrigeration gasket profile 9703 W 580mm L 658mm plug size		

GEV No.	901067	Ref. No.	N/A
description	refrigeration gasket profile 9703 W 656mm L 767mm plug size		

GEV No.	901839	Ref. No.	74702748
description	refrigeration gasket profile 9703 W 611mm L 1571mm plug size		

GEV No.	901791	Ref. No.	74702808
description	refrigeration gasket profile 9703 W 659mm L 731mm plug size		

GEV No.	901068	Ref. No.	74702694 74702786
description	refrigeration gasket profile 9703 W 629mm L 1588mm plug size		

GEV No.	901484	Ref. No.	74702806 8R07T/6.1
description	refrigeration gasket profile 9703 W 662mm L 1555mm plug size L1 1545mm W1 652mm external size		

GEV No.	901069	Ref. No.	74702696 74702780
description	refrigeration gasket profile 9703 W 666mm L 1563mm plug size L1 1553mm W1 656mm external size		

GEV No.	901070	Ref. No.	74702782
description	refrigeration gasket profile 9703 W 666mm L 757mm plug size		

GEV No.	901200	Ref. No.	74702774
description	refrigeration gasket profile 9703 W 707mm L 1163mm plug size for blast chiller		

GEV No.	901201	Ref. No.	74702764
description	refrigeration gasket profile 9703 W 707mm L 853mm plug size for blast chiller		

profile 9704

We offer custom-made gaskets for this profile

GEV No.	901654	Ref. No.	74702601
description	refrigeration gasket profile 9704 W 360mm L 595mm plug size		

GEV No.	902299	Ref. No.	N/A
description	refrigeration gasket profile 9704 Wmm L 2500mm		

profile 9794

We offer custom-made gaskets for this profile

GEV No.	901608	Ref. No.	74702824
description	refrigeration gasket profile 9794 W 170mm L 455mm plug size		

GEV No.	901862	Ref. No.	74702422
description	refrigeration gasket profile 9794 W 176mm L 419mm plug size		

GEV No.	901865	Ref. No.	74702442
description	refrigeration gasket profile 9794 W 193mm L 419mm plug size		

GEV No.	901609	Ref. No.	74702826
description	refrigeration gasket profile 9794 W 270mm L 455mm plug size		



GEV No.	901864	Ref. No.	74702424
description	refrigeration gasket profile 9794 W 282mm L 419mm plug size		

GEV No.	901863	Ref. No.	74702440
description	refrigeration gasket profile 9794 W 419mm L 648mm plug size		

GEV No.	901866	Ref. No.	74702444
description	refrigeration gasket profile 9794 W 307mm L 419mm plug size		

GEV No.	901858	Ref. No.	74702862
description	refrigeration gasket profile 9794 W 428mm L 727mm plug size		

GEV No.	901610	Ref. No.	74702828
description	refrigeration gasket profile 9794 W 375mm L 455mm plug size		

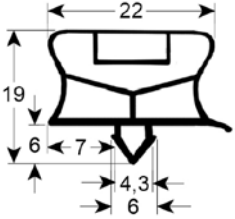
GEV No.	901611	Ref. No.	74702820
description	refrigeration gasket profile 9794 W 455mm L 580mm plug size		

GEV No.	901859	Ref. No.	72604530
description	refrigeration gasket profile 9794 W 395mm L 706mm plug size		

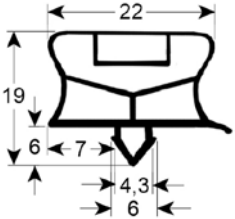
GEV No.	901861	Ref. No.	74702430
description	refrigeration gasket profile 9794 W 494mm L 599mm plug size		

GEV No.	901860	Ref. No.	74702420
description	refrigeration gasket profile 9794 W 419mm L 599mm plug size		


GEV No.	901613	Ref. No.	74702856
description	refrigeration gasket profile 9794 W 525mm L 855mm plug size		



GEV No.	901612	Ref. No.	74702642 74702822
description	refrigeration gasket profile 9794 W 530mm L 580mm plug size		



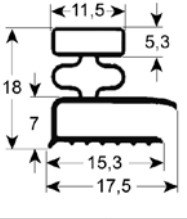
GEV No.	901614	Ref. No.	74702814
description	refrigeration gasket profile 9794 W 645mm L 1535mm plug size		



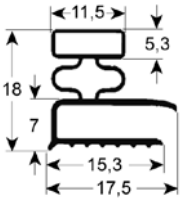
GEV No.	902141	Ref. No.	74702868
description	refrigeration gasket profile 9794 W 725mm L 1167mm plug size		

screw-in gaskets
profile 9031

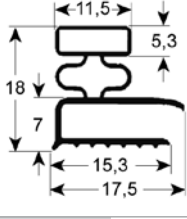
We offer custom-made gaskets for this profile



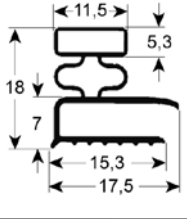
GEV No.	901077	Ref. No.	72553386
description	refrigeration gasket profile 9031 W 285mm L 425mm external size		



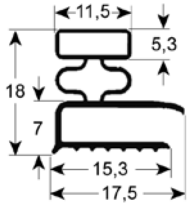
GEV No.	901079	Ref. No.	74702692
description	refrigeration gasket profile 9031 W 322mm L 1552mm external size		



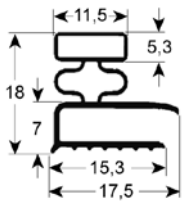
GEV No.	901857	Ref. No.	72553391
description	refrigeration gasket profile 9031 W 423mm L 520mm external size		



GEV No.	901076	Ref. No.	72553388
description	refrigeration gasket profile 9031 W 425mm L 600mm external size		



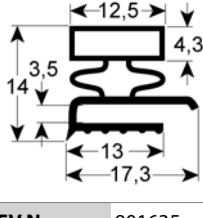
GEV No.	901768	Ref. No.	74702690
description	refrigeration gasket profile 9031 W 802mm L 1552mm external size		



GEV No.	901078	Ref. No.	N/A
description	refrigeration gasket profile 9031 W 805mm L 1552mm external size		

profile 9140

We offer custom-made gaskets for this profile



GEV No.	901635	Ref. No.	74702693
description	refrigeration gasket profile 9140 W 555mm L 740mm external size		



GEV No.	901495	Ref. No.	74702691
description	refrigeration gasket profile 9140 W 562mm L 1560mm external size Qty 1		

GEV No.	902264	Ref. No.	N/A
description	refrigeration gasket profile 9140 Wmm L 2500mm		

evaporation and condensing trays

evaporation trays

GEV No.	750533	Ref. No.	74701958
description	evaporation tray L 612mm W 98mm Qty 1 pcs		

unheated condensing trays

GEV No.	750452	Ref. No.	74701966
description	condensing tray L 525mm W 90mm H 30mm plastic		

drain systems and wash basins

drain fittings

producer-specific

GEV No.	694768	Ref. No.	74701511+73681282
description	drain fitting thread M20x1.75 plastic ø 20mm ID ø 14mm with union nut refrigerators and refrigerator-freezers		

A

axial fans 8

C

castors and bumper angles 12

cold air circulating fans (complete) 9

compressors 7

condensators & interference suppression filters 10

contactors 5

cross flow fans 10

D

drain fittings 19

drain systems and wash basins 19

E

electronic controllers 5

evaporation trays heated 7

F

fans 8

foil heating elements 3

G

grates 13

H

heating cables 3

heating elements 3

heating elements for defrosting 3

heating elements for refrigeration 3

I

indicator lights 4

indicator lights (complete) 4

infrared lamps 4

L

lamps 4

linear lamps 4

M

magnetic switches 4

microswitches 4

O

operating capacitors 10

P

plug-in gaskets 14

probes 5

R

refrigeration fans 8

refrigeration gaskets 14

refrigeration motors universal 8

rocker/momentary rocker switches 3

S

screw-in gaskets 18

shelves and shelf rails 13

snap locks 11

spring assisted hinges 11

switches and momentary switches 3

T

temperature probes 5

U

universal probes 5