



GAS COMPONENTS



ELECTRIC COMPONENTS



WATER TECHNOLOGY



MECHANICAL COMPONENTS



TOOLS

Spare parts suitable for

ALIBERINOX

Find the complete and up-to-date range of products in our GEV Webshop



Manufacturer catalogue

The most important spare parts and accessories arranged clearly for every manufacturer

- ✓ Complete product range and all appliance data always up to date in the GEV Webshop
- ✓ Alphabetical Index at the end of the catalogue

GEV Webshop

www.gev-online.co.uk

www.gev-online.com

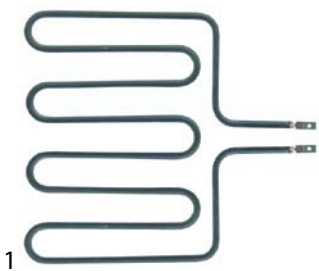


- 🔍 Add to Favourites
- 🔍 Sign In with email address and usual password
- 🔍 Easy-order – place several items in your basket at the same time
- 🔍 Quick Item search – no login needed

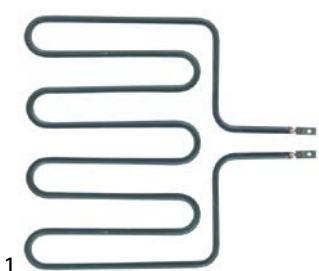


heating elements

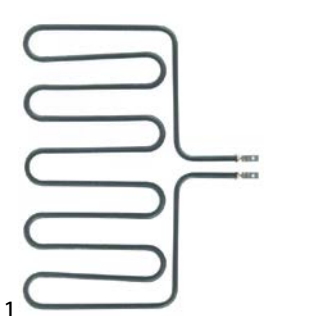
heating elements for salamanders/toast-



GEV No.	416579	Ref. No.	417522300
description	heating element 1900W 220V heating circuits 1 L 245mm W 240mm L1 63mm L2 182mm W1 98mm W2 45mm connection distance 16mm connection M4 dry heating element tube ø 6.3mm H 6.3mm		



GEV No.	420288	Ref. No.	417522400
description	heating element 1900W 400V heating circuits 1 L 245mm W 230mm L1 60mm L2 185mm W1 100mm W2 30mm connection distance 25mm windings 4 connection M4 dry heating element tube ø 6.25mm H 6.25mm		




GEV No.	416580	Ref. No.	417522200
description	heating element 2000W 220V heating circuits 1 L 240mm W 333mm L1 60mm L2 180mm W1 149mm W2 35mm connection distance 29mm connection M4 dry heating element tube ø 6.3mm H 6.3mm		


energy regulators

EGO

1-circuit




GEV No.	380015	Ref. No.	699801001
description	energy regulator 230V 13A single-circuit turn direction right shaft ø 6x4.6mm shaft L 23mm mounting thread M4 power release 6-100% no. 50.57021.010		



GEV No.	380013	Ref. No.	699800500
description	energy regulator 400V 7A single-circuit turn direction right shaft ø 6x4.6mm mounting thread M4 no. 50.57031.010		

accessories

knobs



GEV No.	110235	Ref. No.	548810000
description	knob energy regulator 1-3 t.max.°C°C ø 50mm shaft ø 6x4.6mm shaft flat upper black		


lamps

indicator lights

indicator lights 2-piece (lens and indicator lamp)

indicator light lenses

ø 6mm (type SQ-20)




GEV No.	359803	Ref. No.	660801201
description	indicator light lens green Qty 1 pcs ø 6mm		



indicator lamps for socket type SQ



GEV No.	359109	Ref. No.	660801101
description	indicator lamp 230V green connection male faston 6.3mm no lens ø 6mm		
accessories for	359109		
	GEV No.	359806	Ref. No. —
	indicator light lens clear Qty 1 pcs ø 6mm		

gas taps

COPRECI

CPMM18700



GEV No.	107469	Ref. No.	SVG181
description	gas tap COPRECI type CPM18700 gas inlet M10x0.75 bypass nozzle ømm gas outlet 2x M10x1 (tube ø 5mm) thermocouple connection M8x1 pilot connection M10x1 shaft ø 6x4.6mm shaft L 17/10mm shaft flat upper front fixing M15x1		

ignition parts

pilot burners

ROBERTSHAW

pilot burners

universal series - type 6

Width of caps:
 6CH10 = 1" (25,4mm)
 6CH14 = 1½" (38,1mm)
 6CH24 = 2½" (63,5mm)
 6CH30 = 3" (76,2mm)



GEV No.	107467	Ref. No.	SGT335
description	pilot burner ROBERTSHAW type 6CH14-1 3 flames natural gas code 22 for pipe ø 1/4" CCT		

electrodes



GEV No.	107468	Ref. No.	SEW932
description	ignition electrode flange length 29mm flange width 9mm D1 ø 7mm D2 ø 8mm L1 2mm L2 12mm BL1 17mm BL2 22mm connection M4		

piezoelectric igniters

mounting diameter 18mm



GEV No.	100004	Ref. No.	SEW848
description	piezoelectric igniter body plastic blowing mounting ø 18mm connection ø2.4mm		

thermocouples

thermocouple sets universal



GEV No.	107647	Ref. No.	SGT316
description	thermocouple set SIT 11-piece L 900mm		

knobs

universal knobs



GEV No.	110235	Ref. No.	548810000
description	knob energy regulator 1-3 t.max.°C°C ø 50mm shaft ø 6x4.6mm shaft flat upper black		

E

energy regulators 3

G

gas taps 4

H

heating elements 3

heating elements for salamanders/toasters 3

I

indicator lights 3

L

lamps 3

P

piezoelectric igniters 4

pilot burners 4

T

thermocouples 4