



**GAS COMPONENTS**



**ELECTRIC COMPONENTS**



**WATER TECHNOLOGY**



**MECHANICAL COMPONENTS**



**TOOLS**

Spare parts suitable for

**ARGION**

Find the complete and up-to-date range of products in our GEV Webshop



# Manufacturer catalogue

The most important spare parts and accessories arranged clearly for every manufacturer

- ✓ Complete product range and all appliance data always up to date in the GEV Webshop
- ✓ Alphabetical Index at the end of the catalogue

## GEV Webshop

[www.gev-online.co.uk](http://www.gev-online.co.uk)

[www.gev-online.com](http://www.gev-online.com)



- 🔍 Add to Favourites
- 🔍 Sign In with email address and usual password
- 🔍 Easy-order – place several items in your basket at the same time
- 🔍 Quick Item search – no login needed



## switches and momentary switches

### microswitches

pin-plunger actuated

miscellaneous



1

<b>GEV No.</b>	348187	<b>Ref. No.</b>	HVS1000-47 YJS82YJS820-47
<b>description</b>	microswitch 230V 1NO connection cable 400mm L 58mm L1 38mm		

## electronics

### PCBs



1

<b>GEV No.</b>	403716	<b>Ref. No.</b>	HSV1000-37
<b>description</b>	display PCB vacuum packing machine HVS1000 L 78mm W 55mm		



1

<b>GEV No.</b>	403715	<b>Ref. No.</b>	HVS1000-42 YJS820-42
<b>description</b>	main PCB vacuum packing machine HVS1000 L 88mm W 75mm		

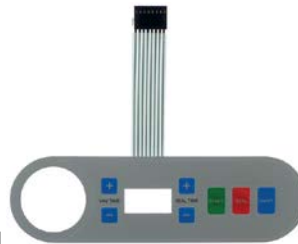


1

<b>GEV No.</b>	403717	<b>Ref. No.</b>	HVS1000-25 YJS820-25
<b>description</b>	PCB vacuum packing machine HVS1000 L 125mm W 100mm		

## keypads

### membrane keypads



1

<b>GEV No.</b>	403718	<b>Ref. No.</b>	HVS1000-36 YJS820-36
<b>description</b>	membrane keypad vacuum packing machine HVS1000 L 190mm W 55mm		

## solenoid valves

### solenoid valves (water)

various



1

<b>GEV No.</b>	374094	<b>Ref. No.</b>	HVS1000-45 YJS820-45
<b>description</b>	solenoid valve angled 2-way inlet 4.5mm outlet 4.5mm cable length 300mm		




1

<b>GEV No.</b>	374093	<b>Ref. No.</b>	HVS1000-41 YJS820-41
<b>description</b>	solenoid valve single 2-way 12VDC inlet 11mm outlet 11mm suitable for exit		




1

<b>GEV No.</b>	374092	<b>Ref. No.</b>	HSV1000-26
<b>description</b>	solenoid valve single 2-way 12VDC inlet 11mm outlet 11mm suitable for input		


metal			
ASCO			
spare parts and accessories			
O-rings			
			
1			
<b>GEV No.</b>	371100	<b>Ref. No.</b>	HVS1000-04 YJS820-4
<b>description</b>	O-ring silicone thickness 1.78mm ID ø 6.07mm Qty 1 pcs		

Solenoid valve - accessories

			
1			
<b>GEV No.</b>	371100	<b>Ref. No.</b>	HVS1000-04 YJS820-4
<b>description</b>	O-ring silicone thickness 1.78mm ID ø 6.07mm Qty 1 pcs		


pumps

vacuum pumps


vacuum pumps			
			
1			
<b>GEV No.</b>	602111	<b>Ref. No.</b>	HVS1000-30 YJS820-30
<b>description</b>	vacuum pump 220/240V 0.32kW 50Hz type OLF400Z		

electric accessories

plugs - couplings - power sockets


appliance sockets/plugs			
low temperature appliances 70°C			
			
1			
<b>GEV No.</b>	551334	<b>Ref. No.</b>	HVS1000-38 YJS820-38
<b>description</b>	plug for box mounting receptacles C14 max 10A/250V F4.8		

cables

power supply cables			
			
1			
<b>GEV No.</b>	550726	<b>Ref. No.</b>	HVS1000-39 YJS820-39
<b>description</b>	low temperature appliance supply cable CEE7/7 - C15 3-pole contacts P+N+E 1mm <sup>2</sup> max. 10A max 250V 2.0m H05VVH F70 2-pole + earthing insulation PVC		

equipment-specific units

for vacuum packers

lids			
			
1			
<b>GEV No.</b>	699600	<b>Ref. No.</b>	HVS1000-02 YJS820-2
<b>description</b>	lid L 420mm W 350mm HVS1000		



air cylinders

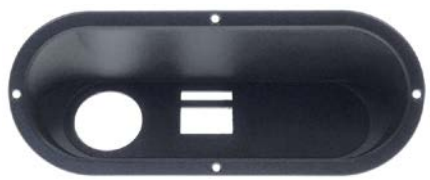
air cylinders



1

<b>GEV No.</b>	692702	<b>Ref. No.</b>	HVS1000-17 YJS820-17
<b>description</b>	air cylinder ø 53mm H 30.5mm shaft length 12.8mm 1 pair		

housing and bezels



1

<b>GEV No.</b>	699610	<b>Ref. No.</b>	HVS1000-34 YJS820-34
<b>description</b>	front panel for vacuum packing machine W 100mm H 40mm HVS1000 L 250mm		

rubber bumper



1

<b>GEV No.</b>	699607	<b>Ref. No.</b>	HVS1000-31 YJS820-31
<b>description</b>	rubber pad H 3mm L 30mm W 20mm 4 pieces		

sealing bars



1


<b>GEV No.</b>	699601	<b>Ref. No.</b>	HVS1000-07 YJS820-7
<b>description</b>	sealing bar L 295mm W 20mm H 24mm		

base plate




1

<b>GEV No.</b>	699617	<b>Ref. No.</b>	HVS1000-24 YJS820-24
<b>description</b>	base plate L 132mm W 105mm H 0.5mm		



1

<b>GEV No.</b>	699611	<b>Ref. No.</b>	HVS1000-01 YJS820-1
<b>description</b>	base plate L 30mm W 30mm H 2mm 1 pair hole ø 5mm		



1


<b>GEV No.</b>	699445	<b>Ref. No.</b>	HVS1000-43 YJS820-43
<b>description</b>	base plate L 95mm W 90mm H 0.5mm		

miscellaneous




1


<b>GEV No.</b>	699603	<b>Ref. No.</b>	HSV1000-05
<b>description</b>	bracket L 298mm W 23mm H 9.5mm		




1


<b>GEV No.</b>	699604	<b>Ref. No.</b>	HVS1000-48 YJS820-48
<b>description</b>	bracket L 38mm W 36mm H 124mm for microswitch		

			
1			
<b>GEV No.</b>	699605	<b>Ref. No.</b>	HVS1000-14 YJS820-14
<b>description</b>	clamp L 95mm W 34mm H 48mm		

			
1			
<b>GEV No.</b>	699608	<b>Ref. No.</b>	HVS1000-10 YJS820-10
<b>description</b>	nut for air inlet thread 1/4"		

			
1			
<b>GEV No.</b>	699613	<b>Ref. No.</b>	HVS1000-13 YJS820-13
<b>description</b>	plug L 9mm W 6mm 1 pair		

			
1			
<b>GEV No.</b>	699602	<b>Ref. No.</b>	HVS1000-06 YJS820-6
<b>description</b>	rubber rail L 298mm W 23mm H 9.5mm for sealing bar		

			
1			
<b>GEV No.</b>	699609	<b>Ref. No.</b>	HVS1000-12 YJS820-12
<b>description</b>	spring L 104mm W 32mm to secure		


## handles and hand wheels

### bracket handles

			
1			
<b>GEV No.</b>	699606	<b>Ref. No.</b>	HVS1000-03 YJS820-3
<b>description</b>	handle L 140mm H 38mm mounting distance 120mm hole ø 8.5mm		

## equipment feet and end caps


### bolting feet

			
1			
<b>GEV No.</b>	701555	<b>Ref. No.</b>	HVS1000-40 YJS820-40
<b>description</b>	equipment feet kit ø 39mm H 17mm Qty 4 pcs		

## gaskets


### O-rings

#### silicone

			
1			
<b>GEV No.</b>	371100	<b>Ref. No.</b>	HVS1000-04 YJS820-4
<b>description</b>	O-ring silicone thickness 1.78mm ID ø 6.07mm Qty 1 pcs		

### special gaskets

#### for vacuum packers

			
1			
<b>GEV No.</b>	699618	<b>Ref. No.</b>	HVS1000-08 YJS820-8
<b>description</b>	lid gasket L 1365mm		





## springs

### gas tension springs

#### gas tension springs



1

<b>GEV No.</b>	701553	<b>Ref. No.</b>	HVS1000-21 YJS820-21
----------------	--------	-----------------	-------------------------

**description** gas tension spring left 80N D1 ø 6mm D2 ø 15mm L 162mm HVS1000



1

<b>GEV No.</b>	701554	<b>Ref. No.</b>	HVS1000-46 YJS820-46
----------------	--------	-----------------	-------------------------

**description** gas tension spring right 80N D1 ø 6mm D2 ø 15mm L 162mm HVS1000

## manometers



1

<b>GEV No.</b>	542340	<b>Ref. No.</b>	HVS1000-35 YJS820-35
----------------	--------	-----------------	-------------------------

**description** manometer ø 41mm pressure range 0-1bar connection 5mm

## fittings, hose and pipe connectors

### hose connectors

#### without screw connection



1

<b>GEV No.</b>	699612	<b>Ref. No.</b>	HVS1000-15 YJS820-15
----------------	--------	-----------------	-------------------------

**description** T-piece plastic hose ø 5-5-5mm



1

<b>GEV No.</b>	504817	<b>Ref. No.</b>	HVS1000-29 YJS820-29
----------------	--------	-----------------	-------------------------

**description** T-piece SS hose ø 10-10-10mm



1

<b>GEV No.</b>	504823	<b>Ref. No.</b>	HVS1000-28 YJS820-28
----------------	--------	-----------------	-------------------------

**description** cross fitting SS hose ø 10-10-10-10mm L 57mm W 57mm

## hose connectors

### producer-specific



1

<b>GEV No.</b>	699615	<b>Ref. No.</b>	HVS1000-11 YJS820-11
----------------	--------	-----------------	-------------------------

**description** hose connector for hose ID 10mm connection 1/4"mm L-shape

## fastening material

### screws

#### hexagonal screws



1

<b>GEV No.</b>	699616	<b>Ref. No.</b>	HVS1000-23 YJS820-23
----------------	--------	-----------------	-------------------------

**description** screw thread M10 thread L 26mm WS 17 Qty 2 pcs head thickness 7mm L 60mm

### nuts

#### hexagonal nuts

DIN 934 / ISO 4032/8673



1

<b>GEV No.</b>	560197	<b>Ref. No.</b>	HVS1000-20 YJS820-20
----------------	--------	-----------------	-------------------------

**description** nut thread M10 H 8mm WS 17 SS DIN/ISO DIN 934 / ISO 4032/8673 Qty 1 pcs



1

<b>GEV No.</b>	506166	<b>Ref. No.</b>	HVS1000-16 YJS820-16
<b>description</b>	nut thread M12 H 10mm WS 19 SS DIN/ISO DIN 934 / ISO 4032/8673 Qty 1 pcs		

## washers

washers

miscellaneous



1

<b>GEV No.</b>	560593	<b>Ref. No.</b>	HVS1000-22 YJS820-22
<b>description</b>	plain washer ID ø 10.5mm ED ø 15.8mm thickness 1mm SS Qty 4 pcs		



**A**

appliance sockets/plugs 4

**C**

cables 4

**E**

electric accessories 4

**F**

fastening material 7

**H**

hexagonal nuts 7

hexagonal screws 7

hose connectors 7,7

**M**

microswitches 3

**N**

nuts 7

**O**

O-rings 6

**P**

plugs - couplings - power sockets 4

power supply cables 4

pumps 4

**S**

screws 7

solenoid valves 3

switches and momentary switches 3

**V**

vacuum pumps 4

**W**

washers 8