



**GAS COMPONENTS**



**ELECTRIC COMPONENTS**



**WATER TECHNOLOGY**



**MECHANICAL COMPONENTS**



**TOOLS**

Spare parts suitable for

**BAKE-OFF**

Find the complete and up-to-date range of products in our GEV Webshop



# Manufacturer catalogue

The most important spare parts and accessories arranged clearly for every manufacturer

- ✓ Complete product range and all appliance data always up to date in the GEV Webshop
- ✓ Alphabetical Index at the end of the catalogue

## GEV Webshop

[www.gev-online.co.uk](http://www.gev-online.co.uk)

[www.gev-online.com](http://www.gev-online.com)




- 🔍 Add to Favourites
- 🔍 Sign In with email address and usual password
- 🔍 Easy-order – place several items in your basket at the same time
- 🔍 Quick Item search – no login needed




## heating elements

### heating elements for convection




1

<b>GEV No.</b>	420228	<b>Ref. No.</b>	373500013
<b>description</b>	heating element 2000W 240V heating circuits 1 ID ø 180mm ED ø 192mm L 246mm H 42mm L1 48mm W1 30mm H1 20mm H2 28mm flange length 70mm flange width 22mm hole distance 56mm connection screw connection length 65mm tube ø 6.25mm convection heating element hole ø 5mm		




1

<b>GEV No.</b>	420189	<b>Ref. No.</b>	373500041
<b>description</b>	heating element 208/230W 2535/3100V heating circuits 1 ID ø 220mm ED ø 232mm L 269mm H 60mm L1 34mm W1 61mm H1 23mm H2 37mm flange length 100mm flange width 22mm hole distance 86mm connection male faston 6.3mm tube ø 6.3mm convection heating element hole ø 5mm flange connection		



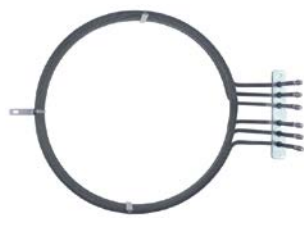
1

<b>GEV No.</b>	419149	<b>Ref. No.</b>	373500032
<b>description</b>	heating element 3990W 230V heating circuits 2 ID ø 215mm ED ø 227mm L 245mm H 42mm L1 15mm W1 61mm H1 16mm H2 24mm flange length 100mm flange width 22mm hole distance 86mm connection male faston 6.3mm connection length 79mm tube ø 6.3mm convection heating element hole ø 5mm rectangular flange		



1

<b>GEV No.</b>	419163	<b>Ref. No.</b>	373500040
<b>description</b>	heating element 5000W 230V heating circuits 2 ID ø 214mm ED ø 228mm L 245mm H 42mm L1 12mm W1 60mm H1 9mm H2 34mm flange length 100mm flange width 22mm hole distance 86mm connection male faston 6.3mm connection length 62mm tube ø 6.3mm convection heating element hole ø 5mm		



1

<b>GEV No.</b>	419150	<b>Ref. No.</b>	373500014 373500015
<b>description</b>	heating element 9000W 220V heating circuits 3 ID ø 316mm ED ø 329mm L 396mm H 83mm L1 66mm W1 103mm H1 18mm H2 65mm flange length 142mm flange width 25mm hole distance 126mm connection M6 connection length 95mm tube ø 6.3mm convection heating element hole ø 5mm rectangular flange		
<b>For models:</b>	STTR		

## thermostats

### control and safety thermostats

#### EGO

#### safety thermostats

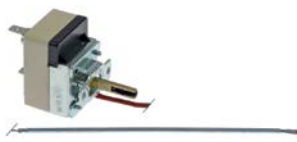
#### 55.31\_series



<b>GEV No.</b>	375377	<b>Ref. No.</b>	182500021 182500022
<b>description</b>	safety thermostat switch-off temp. 350°C 3-pole 3NC 1x20/2x0.5A probe ø 6mm probe L 157mm capillary pipe 1230mm capillary pipe isolated 1100mm gland nut probe		
<b>For models:</b>	STTR		

#### CAEM

#### control thermostats



<b>GEV No.</b>	390790	<b>Ref. No.</b>	182500044
<b>description</b>	thermostat t.max. 300°C temperature range 50-280°C 1-pole 1NO 16A probe ø 3mm probe L 160mm capillary pipe 1450mm capillary pipe isolated 650mm gland nut shaft ø 6x4.6mm shaft L 22mm rotation 270° 250V		



## safety thermostats



<b>GEV No.</b>	376043	<b>Ref. No.</b>	182500035
<b>description</b>	safety thermostat switch-off temp. 335°C 1-pole 16A probe ø 3mm probe L 180mm capillary pipe 970mm capillary pipe isolated 780mm probe SS		

## switches and momentary switches

## rocker/momentary rocker switches

30x22mm



<b>GEV No.</b>	347662	<b>Ref. No.</b>	167600000
<b>description</b>	momentary rocker switch mounting measurements 30x22mm black 2CO 250V 16A steam connection male faston 6.3mm ambient temperature max. 100/55°C protection IP40		

## microswitches

## pin-plunger actuated

M10



<b>GEV No.</b>	345032	<b>Ref. No.</b>	151600000 151600020
<b>description</b>	microswitch with plunger thread M10x1 thread L 12mm 250V 16A 1CO connection male faston 6.3mm stroke 7mm mounting distance 22mm L 28mm ambient temperature max. 125°C type SP9603 actuating force: 180g		
<b>For models:</b>	STTR		

## lamps

## indicator lights

## indicator lights (complete)

ø10mm

with plug-in socket



<b>GEV No.</b>	359139	<b>Ref. No.</b>	149000000
<b>description</b>	indicator light ø 10mm green 230V connection male faston 6.3mm Qty 1 pcs		

## screw-on/push-on fit

## halogen lamp

for socket G4 / G6.35 / G9



<b>GEV No.</b>	347637	<b>Ref. No.</b>	146600003
<b>description</b>	halogen lamp socket G4 24V 20W temp.-resist. 300°C ø 8mm L 30mm		
<b>For models:</b>	STTR		

## linear lamps

## infrared lamps

with base type X lug



<b>GEV No.</b>	359617	<b>Ref. No.</b>	146600007
<b>description</b>	infrared lamp 1000W 220V L 365mm lens L 340mm total length 480mm with mounting strap		

## oven lamps

## universal oven lamps

mounting diameter 35.5mm









<b>GEV No.</b>	359705	<b>Ref. No.</b>	166400007	
<b>description</b>	oven lamp glass thr.ø 33.5mm ø 52mm hard glas temp.-resist. 350°C			
<b>accessories for</b>	359705			
	<b>GEV No.</b>	359610	<b>Ref. No.</b>	—
	light bulb t.max. 300°C socket E14 15W 230V ø 22mm L 47mm lens L 20mm for oven lamp type Philips			
	<b>GEV No.</b>	359700	<b>Ref. No.</b>	—
	gasket for pizza oven fibre glass ID ø 32.5mm ED ø 55mm thickness 5mm			
	<b>GEV No.</b>	359721	<b>Ref. No.</b>	—
	gasket silicone ED ø 48mm ID ø 39.5mm thickness 5mm Qty 1 pcs			

Table continues overleaf





<b>accessories for</b>	359705		
	<b>GEV No.</b>	359837	<b>Ref. No.</b> —
	gasket ID ø 33mm ED ø 46mm thickness 1mm graphite		
	<b>GEV No.</b>	359838	<b>Ref. No.</b> —
	gasket ID ø 33mm ED ø 45mm		

<b>sockets</b>			
G4 / G5,3 / G6,35			
	1		
<b>GEV No.</b>	359646	<b>Ref. No.</b>	166400002
<b>description</b>	lamp socket socket G4/G5.3/G6.35 24V ø 17mm H 15mm connection cable 130mm mounting distance 26mm for halogen lamp holder length 31mm cable length 130mm		
<b>For models:</b>	5TTR, 6TTR		

**timers**


programme timers

	1		
<b>GEV No.</b>	360703	<b>Ref. No.</b>	366900005
<b>description</b>	timer CDC 8802F1 engines 1 chambers 2 operation time 4min 230V 50Hz shaft ømm shaft Lmm manuf. no. 8802F10AGE000.0010 motor type M48R 230V		

	1		
<b>GEV No.</b>	360540	<b>Ref. No.</b>	182500028
<b>description</b>	timer FIBER P25 engines 1 chambers 2 operation time 5min 230V 50/60Hz shaft ø hexagon 6mm shaft L 11mm manuf. no. P255JC2H800 motor type M51BJ0R0000 for convection oven		

electric timers

with time spread


	1		
<b>GEV No.</b>	350154	<b>Ref. No.</b>	183000010 183000015
<b>description</b>	timer MS65 with bell operation time 120min time spread 30min 2CO/1NO at 250V 16A permanent position yes impulse electric shaft ø 6x4.6mm shaft L 20mm connection lateral Invensys 230V 3-pole		

**contactors**


GENERAL ELECTRIC (AEG)

power contactors

	1		
<b>GEV No.</b>	380337	<b>Ref. No.</b>	182500047
<b>description</b>	power contactor resistive load 20A 230VAC (AC3/400V) 8.4A/4kW main contacts 4NO auxiliary contacts connection screw connection type AEG LS05 400A type GE MC1A 400A		

	1		
<b>GEV No.</b>	381136	<b>Ref. No.</b>	182500042
<b>description</b>	power contactor resistive load 25A 24VAC (AC3/400V) 12A/5.5kW main contacts 3NO auxiliary contacts 1NO connection screw connection type AEG type GE CL01A310T1		
<b>For models:</b>	5TTR		

auxiliary contacts

	1		
<b>GEV No.</b>	380269	<b>Ref. No.</b>	320800007
<b>description</b>	auxiliary contact contacts 1NC AC15 6A for contactors CL+LS_K connection screw AC-12 10A type AEG HS07K 01 type GE BCLF 01		
<b>For models:</b>	5TTR		



electric components

## relays

### time relays

#### time relays



1

<b>GEV No.</b>	360523	<b>Ref. No.</b>	183000006
<b>description</b>	time relay FIBER E50BM_0100 time range 6s-6h 24-240VAC/24VDC 5A 1CO connection plug-in connection round 8-pole		
<b>For models:</b>	5TTR		

## electronic controllers

### EVCO - EVERY CONTROL

#### universal controllers

#### built-in version



1

<b>GEV No.</b>	378282	<b>Ref. No.</b>	182500010
<b>description</b>	electronic controller EVERY CONTROL EVK411 mounting measurements 71x29mm built-in depth 59mm 230V voltage AC TC (J,K) relay outputs 1 CO-16A(8) TC (J,K) yes protection IP65 -100 to +800°C display 4 digits		
<b>accessories for</b>	378282		
	<b>GEV No.</b>	<b>Ref. No.</b>	—
	378075		
	temperature probe thermocouple K (NiCr-Ni) cable Vetrotex probe -50 up to 1150°C cable -50 up to +350°C probe ø4.5x150mm cable length 3m without screw connection 2-wire		
	<b>GEV No.</b>	<b>Ref. No.</b>	—
	379051		
	temperature probe thermocouple J (Fe-CuNi) cable Vetrotex probe -50 up to +750°C cable -50 up to +350°C probe ø6x100mm cable length 3m without screw connection cable colours red/blue 2-wire		
	<b>GEV No.</b>	<b>Ref. No.</b>	—
	379062		
	temperature probe thermocouple J (Fe-CuNi) cable Vetrotex probe -50 up to +750°C cable -50 up to +350°C probe ø6x50mm cable length 3m without screw connection 2-wire		
	<b>GEV No.</b>	<b>Ref. No.</b>	—
	379693		
	temperature probe thermocouple J (Fe-CuNi) cable Vetrotex probe 0 up to +350°C cable°C probe ø6x100mm cable length 1.35m without screw connection cable colours red/blue 2-wire		

## probes

### producer-specific probes

#### probes



1

<b>GEV No.</b>	379807	<b>Ref. No.</b>	179600000
<b>description</b>	temperature probe thermocouple J (Fe-CuNi) cable Vetrotex probe -50 up to +750°C cable -50 up to +350°C connection 2-wire thread probe ø6x85mm cable length 1.5m		
<b>For models:</b>	5TTR		

## electronics

### PCBs



1

<b>GEV No.</b>	401840	<b>Ref. No.</b>	780605046
<b>description</b>	keypad PCB		
<b>For models:</b>	5TTR		

## keypads

### front foils




1

<b>GEV No.</b>	401838	<b>Ref. No.</b>	382000012
<b>description</b>	keypad foil L 300mm W 110mm		
<b>For models:</b>	5TTR		





1

<b>GEV No.</b>	401839	<b>Ref. No.</b>	382000051
<b>description</b>	keypad foil L 563mm W 115mm		



1

<b>GEV No.</b>	401844	<b>Ref. No.</b>	382000052
<b>description</b>	keypad foil L 563mm W 115mm		



1

<b>GEV No.</b>	505299	<b>Ref. No.</b>	382000019
<b>description</b>	keypad foil suitable for convection oven L 300mm W 110mm buttons 19		
<b>For models:</b>	5TTR		

## solenoid valves

### solenoid valves (water)

RPE

solenoid valves with reducers

single



<b>GEV No.</b>	370692	<b>Ref. No.</b>	120800009
<b>description</b>	solenoid valve single straight 220-240VAC inlet 3/4" outlet 11.5mm input 10-12l/min output 0.32-0.42l/min t.max. 60°C duty cycle 100% RPE plastic flow regulating valve outlet green flow regulating valve inlet white 2-ways medium temp max. 25°C		



<b>GEV No.</b>	374005	<b>Ref. No.</b>	120800005
<b>description</b>	solenoid valve single straight 24VAC inlet 3/4" outlet 11.5mm input 10-12l/min t.max. 25°C duty cycle 100% RPE plastic flow regulating valve inlet white 7.2VA		
<b>For models:</b>	5TTR		

various



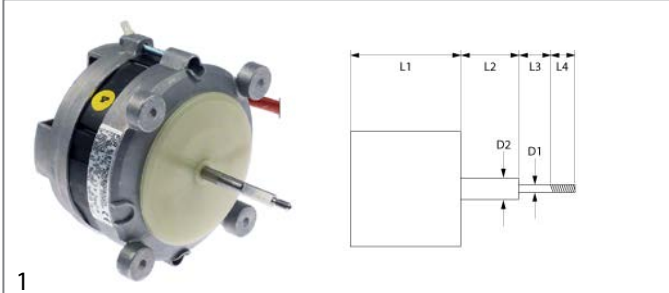
<b>GEV No.</b>	370686	<b>Ref. No.</b>	120800014
<b>description</b>	solenoid valve 4-fold 230VAC inlet 3/4" outlet John Guest 10 RPE flow regulating valve inlet white pressure range 0.2-10bar		

## fans

### hot air motors



<b>GEV No.</b>	602014	<b>Ref. No.</b>	353000022 353000035 753000120 753000122
<b>description</b>	fan motor 208-240V 1 phase 50/60Hz 0.19-0.26/0.34-0.35kW 2800/3450rpm speeds 2 L1 98mm L2 33mm D1 ø 8mm M5 1-1.2/1.7-1.5A type MFA80		

1

<b>GEV No.</b>	601784	<b>Ref. No.</b>	353000024 353000030 353000034 353000035
<b>description</b>	fan motor 220/240V 1 phase 50/60Hz 0.18/0.12kW 2750/3300rpm speeds 1 L1 94mm L2 31mm L3 23mm L4 12mm D1 ø 6/8mm D2 ø 8mm M5 Cos(fi) 0.96 at 50Hz 2750rpm at 60Hz 3300rpm suitable capacitor 5µF/450V		

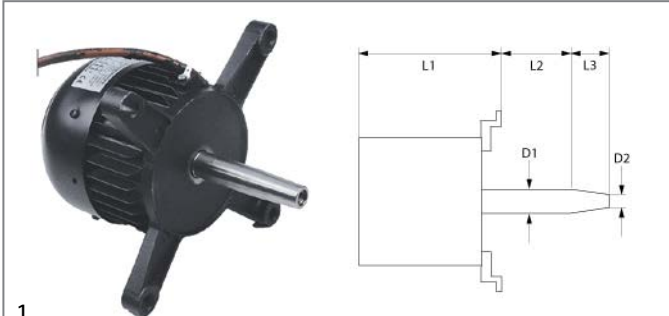


1

<b>GEV No.</b>	601785	<b>Ref. No.</b>	391500013
<b>description</b>	fan wheel D1 ø 240mm H1 61mm blades 55 D2 ø 8mm D3 ø 8x6.5mm H2 20mm		


### ignition parts

#### ignition units



1

<b>GEV No.</b>	601770	<b>Ref. No.</b>	353000010
<b>description</b>	fan motor 220-240/380-415V 3 phase 50/60Hz 0.5HP 1400/1600rpm speeds 1 L1 158mm L2 45mm L3 47mm D1 ø 24mm D2 ø 20mm M12L.IT at 50Hz 1400rpm at 60Hz 1600rpm type 1088.4354		
<b>For models:</b>	5TTR, 6TTR		



1

<b>GEV No.</b>	103334	<b>Ref. No.</b>	184507050
<b>description</b>	ignition unit outputs 2 220-240VAC dimensions 83x42x32mm mounting distance 34mm inlet F2.8 outlet F2.8 type TSM 17VA 50/60Hz		

### equipment-specific units


#### for convection ovens/combi-steamers

#### spare parts and accessories



1

<b>GEV No.</b>	601799	<b>Ref. No.</b>	391500007 391500015
<b>description</b>	fan wheel D1 ø 197mm H1 43mm blades 45 D2 ø 8mm D3 ø 8mm H2 25mm		



1


<b>GEV No.</b>	692107	<b>Ref. No.</b>	743600000 743600010
<b>description</b>	mounting set for glass plate 6-fold		
<b>For models:</b>	5TTR		

#### glass panels



1

<b>GEV No.</b>	601781	<b>Ref. No.</b>	391500011 391500016
<b>description</b>	fan wheel D1 ø 198mm H1 61mm blades 45 D2 ø 8mm D3 ø 8x6.8mm H2 14.5mm		



1

<b>GEV No.</b>	692056	<b>Ref. No.</b>	391505401
<b>description</b>	glass panel L 721mm W 591mm thickness 5mm mounting pos. outer		
<b>For models:</b>	5TTR		












			
1			
<b>GEV No.</b>	692055	<b>Ref. No.</b>	391505400 391505400+743600000 391505400+743600010
<b>description</b>	glass panel L 770mm W 564mm thickness 6mm mounting pos. inner		
<b>For models:</b>	5TTR		




## locks

### turning lever locks




#### universal

#### RAHRBACH

			
1			
<b>GEV No.</b>	690500	<b>Ref. No.</b>	311506500 751606500
<b>description</b>	handle latch right L 185mm H 66mm handle material plastic type 6300 series		
<b>For models:</b>	6TTR		
<b>spare parts for</b>	690500		
		GEV No. 699841	Ref. No. —
	cover cap for turning lever lock ø 32mm H 14mm		
<b>accessories for</b>	690500		
		GEV No. 514281	Ref. No. —
	base plate L 110mm W 35mm for door catch thickness 10mm		
		GEV No. 690136	Ref. No. —
	sliding plate mounting pos. right L 28mm H 3mm W 21mm H2 12.5mm		
		GEV No. 691174	Ref. No. —
	counterpart L 90mm W 60mm for door latch		
		GEV No. 700091	Ref. No. —
	door catch mounting pos. right off-set 20mm L 110mm H 56mm W 33mm mounting distance 68/68mm zinc die cast series 6300		
		GEV No. 700098	Ref. No. 355606500
	door catch mounting pos. right off-set 38mm L 110mm H 74mm W 33mm mounting distance 68/68mm series 1750		




			
1			
<b>GEV No.</b>	700098	<b>Ref. No.</b>	355606500
<b>description</b>	door catch mounting pos. right off-set 38mm L 110mm H 74mm W 33mm mounting distance 68/68mm series 1750		
<b>For models:</b>	6TTR		
<b>spare parts for</b>	700098		
		GEV No. 690136	Ref. No. —
	sliding plate mounting pos. right L 28mm H 3mm W 21mm H2 12.5mm		
<b>accessories for</b>	700098		
		GEV No. 514281	Ref. No. —
	base plate L 110mm W 35mm for door catch thickness 10mm		




#### STUV

			
1			
<b>GEV No.</b>	700098	<b>Ref. No.</b>	355606500
<b>description</b>	door catch mounting pos. right off-set 38mm L 110mm H 74mm W 33mm mounting distance 68/68mm series 1750		
<b>For models:</b>	6TTR		
<b>spare parts for</b>	700098		
		GEV No. 690136	Ref. No. —
	sliding plate mounting pos. right L 28mm H 3mm W 21mm H2 12.5mm		
<b>accessories for</b>	700098		
		GEV No. 514281	Ref. No. —
	base plate L 110mm W 35mm for door catch thickness 10mm		

#### producer-specific

#### BAKE OFF

			
1			
<b>GEV No.</b>	700098	<b>Ref. No.</b>	355606500
<b>description</b>	door catch mounting pos. right off-set 38mm L 110mm H 74mm W 33mm mounting distance 68/68mm series 1750		
<b>For models:</b>	6TTR		
<b>spare parts for</b>	700098		
		GEV No. 690136	Ref. No. —
	sliding plate mounting pos. right L 28mm H 3mm W 21mm H2 12.5mm		
<b>accessories for</b>	700098		
		GEV No. 514281	Ref. No. —
	base plate L 110mm W 35mm for door catch thickness 10mm		

			
1			
<b>GEV No.</b>	690500	<b>Ref. No.</b>	311506500 751606500
<b>description</b>	handle latch right L 185mm H 66mm handle material plastic type 6300 series		
<b>For models:</b>	6TTR		
<b>spare parts for</b>	690500		
	<b>GEV No.</b>	699841	<b>Ref. No.</b> —
cover cap for turning lever lock ø 32mm H 14mm			
<b>accessories for</b>	690500		
	<b>GEV No.</b>	514281	<b>Ref. No.</b> —
base plate L 110mm W 35mm for door catch thickness 10mm			
	<b>GEV No.</b>	690136	<b>Ref. No.</b> —
sliding plate mounting pos. right L 28mm H 3mm W 21mm H2 12.5mm			
	<b>GEV No.</b>	691174	<b>Ref. No.</b> —
counterpart L 90mm W 60mm for door latch			
	<b>GEV No.</b>	700091	<b>Ref. No.</b> —
door catch mounting pos. right off-set 20mm L 110mm H 56mm W 33mm mounting distance 68/68mm zinc die cast series 6300			
	<b>GEV No.</b>	700098	<b>Ref. No.</b> 355606500
door catch mounting pos. right off-set 38mm L 110mm H 74mm W 33mm mounting distance 68/68mm series 1750			

handle latches

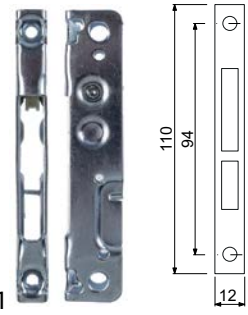
producer-specific

BAKE OFF

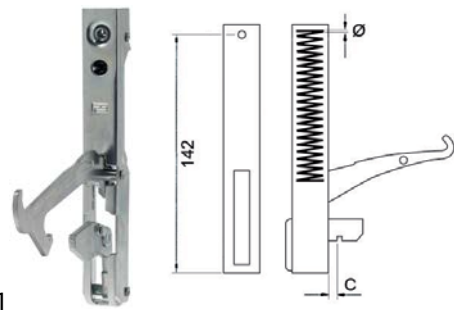

			
1			
<b>GEV No.</b>	691839	<b>Ref. No.</b>	743600002
<b>description</b>	door catch kit		
<b>For models:</b>	5TTR		

hinges

oven hinges

			
1			
<b>GEV No.</b>	693045	<b>Ref. No.</b>	36640005
<b>description</b>	opposite support L 110mm W 12mm mounting distance 94mm		

			
1			
<b>GEV No.</b>	701123	<b>Ref. No.</b>	311000006 41013970
<b>description</b>	oven hinge mounting distance 142mm lever length 117mm groove distance 7mm spring thickness 3.7mm spring length 58mm L 156mm W 22mm		

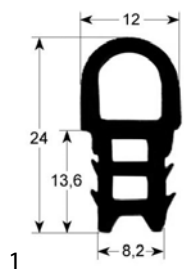
			
1			
<b>GEV No.</b>	700459	<b>Ref. No.</b>	311000005
<b>description</b>	oven hinge mounting distance 142mm mounting distance 2mm lug mountingmm lever length 117mm groove distance 7mm spring thickness 3.5mm mounting ear position spring length 58mm L 156mm W 22mm		
<b>accessories for</b>	700459		
	<b>GEV No.</b>	693045	<b>Ref. No.</b> 36640005
opposite support L 110mm W 12mm mounting distance 94mm			



**gaskets**

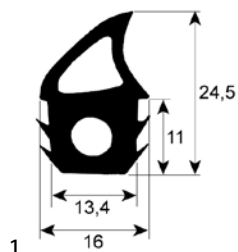
**gaskets for heated units**

**door seals**



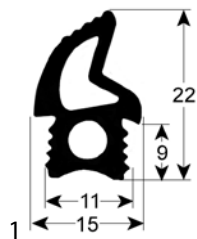
1

<b>GEV No.</b>	900171	<b>Ref. No.</b>	331800008
<b>description</b>	door seal profile 2050 external size Qty supplied by meter		
<b>For models:</b>	5TTR		



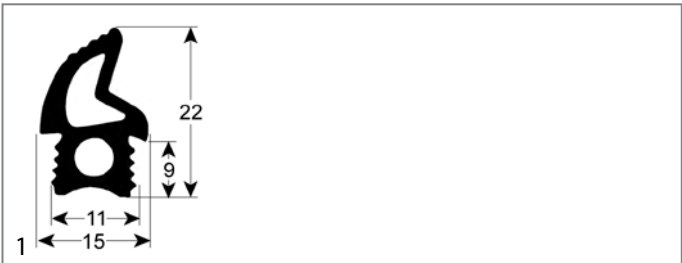
1

<b>GEV No.</b>	900901	<b>Ref. No.</b>	331800011
<b>description</b>	door seal profile 2746 Qty supplied by meter		
<b>For models:</b>	6TTR		



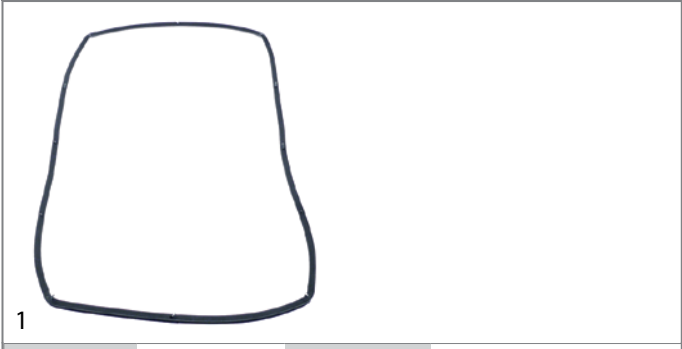
1

<b>GEV No.</b>	901500	<b>Ref. No.</b>	331800003 331800015
<b>description</b>	door seal profile 2769 L 7000mm		



<b>GEV No.</b>	900805	<b>Ref. No.</b>	N/A
<b>description</b>	door seal profile 2769 Qty supplied by meter		

**door seals with fixing hook**



1

<b>GEV No.</b>	901503	<b>Ref. No.</b>	331800006
<b>description</b>	door seal L 650mm W 340mm 4-sided with 12 mounting clips		

mechanical components, equipment accessories

1



<b>C</b>		
contactors	5	
<b>D</b>		
door seals	11	
door seals with fixing hook	11	
<b>E</b>		
electric timers	5	
electronic controllers	6	
<b>F</b>		
fans	7	
<b>G</b>		
gaskets for heated units	11	
<b>H</b>		
halogen lamp	4	
heating elements	3	
heating elements for convection	3	
hot air motors	7	
<b>I</b>		
ignition units	8	
indicator lights	4	
indicator lights (complete)	4	
infrared lamps	4	
<b>L</b>		
lamps	4	
linear lamps	4	
<b>M</b>		
microswitches	4	
<b>O</b>		
oven hinges	10	
oven lamps	4	
<b>P</b>		
probes	6	
programme timers	5	
<b>R</b>		
relays	6	
rocker/momentary rocker switches	4	
<b>S</b>		
safety thermostats	3	
solenoid valves	7	
switches and momentary switches	4	
<b>T</b>		
thermostats		3
time relays		6
timers		5
turning lever locks		9