



**GAS COMPONENTS**



**ELECTRIC COMPONENTS**



**WATER TECHNOLOGY**



**MECHANICAL COMPONENTS**



**TOOLS**

Spare parts suitable for

**BLANCO**

Find the complete and up-to-date range of products in our GEV Webshop



# Manufacturer catalogue

The most important spare parts and accessories arranged clearly for every manufacturer

- ✓ Complete product range and all appliance data always up to date in the GEV Webshop
- ✓ Alphabetical Index at the end of the catalogue

## GEV Webshop

[www.gev-online.co.uk](http://www.gev-online.co.uk)

[www.gev-online.com](http://www.gev-online.com)

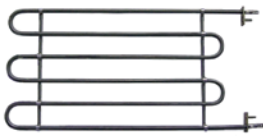


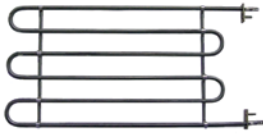
- 🔍 Add to Favourites
- 🔍 Sign In with email address and usual password
- 🔍 Easy-order – place several items in your basket at the same time
- 🔍 Quick Item search – no login needed

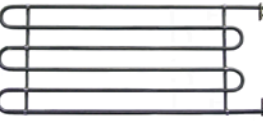



## heating elements

### heating elements for bain maries

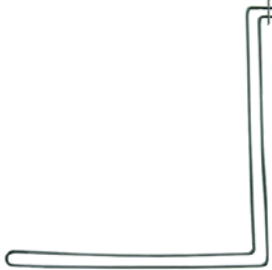
			
1			
<b>GEV No.</b>	415587	<b>Ref. No.</b>	105030
<b>description</b>	heating element 1000W 230V L 390mm W 197mm connection male faston 6.3mm dry heating element bracket mounting tube ø 6.3mm heating circuits 1 mounting distance 162mm mounting thread M4 lug length 30mm lug width 16mm		

			
1			
<b>GEV No.</b>	415596	<b>Ref. No.</b>	105439
<b>description</b>	heating element 1500W 230V heating circuits 1 L 395mm W 198mm tube ø 6.5mm lug length 31mm lug width 16mm connection length 30mm connection male faston 6.3mm dry heating element bracket mounting hole distance 160mm mounting thread M4		


			
1			
<b>GEV No.</b>	415895	<b>Ref. No.</b>	105029
<b>description</b>	heating element 250W 230V L 490mm W 200mm connection male faston 6.3mm dry heating element bracket mounting tube ø 6.5mm heating circuits 1 mounting distance 160mm lug length 30mm lug width 10mm		


			
1			
<b>GEV No.</b>	420304	<b>Ref. No.</b>	00105983
<b>description</b>	heating element bain marie 2200W 230V L 395mm W 200mm connection male faston 6.3mm dry heating element tube ø 6.25mm heating circuits 1 connection distance 192mm		


### heating elements for plate warmers

			
1			
<b>GEV No.</b>	415892	<b>Ref. No.</b>	146753
<b>description</b>	heating element 900W 230V rectangular flange thread L 628mm W 669mm heating circuits 1 connection male faston 6.3mm L1 26mm L2 602mm dry heating element tube ø 6.8mm W1 636mm W2 33mm hole distance 56mm flange length 70mm flange width 15mm hole ø 4mm connection length 40mm		

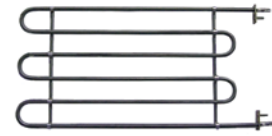
### heating elements for transport containers

			
1			
<b>GEV No.</b>	415706	<b>Ref. No.</b>	105700
<b>description</b>	heating element 275W 230V L 399mm W 31mm dry heating element rectangular flange tube ø 6.5mm heating circuits 1 cable length 950mm flange length 40mm flange width 22mm hole ø 5mm connection length 40mm		


			
1			
<b>GEV No.</b>	415714	<b>Ref. No.</b>	105677
<b>description</b>	heating element 400W 230V L 555mm W 30mm dry heating element rectangular flange cable length 900mm flange length 40mm flange width 22mm connection length 40mm		

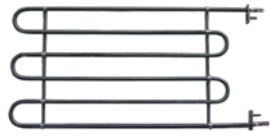
			
1			
<b>GEV No.</b>	415218	<b>Ref. No.</b>	252477
<b>description</b>	heating element 500W 230V L 440mm W 155mm connection cable dry heating element L1 40mm L2 400mm W1 33mm W2 90mm tube ø 6.5mm heating circuits 1 cable length 180mm		

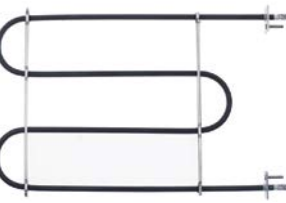
### heating elements for heated trolleys

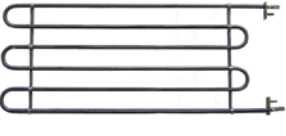
			
1			
<b>GEV No.</b>	415587	<b>Ref. No.</b>	105030
<b>description</b>	heating element 1000W 230V L 390mm W 197mm connection male faston 6.3mm dry heating element bracket mounting tube ø 6.3mm heating circuits 1 mounting distance 162mm mounting thread M4 lug length 30mm lug width 16mm		




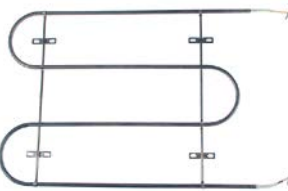
			
1			
<b>GEV No.</b>	420298	<b>Ref. No.</b>	374270
<b>description</b>	heating element 1200W 230V L 650mm W 180mm connection male faston 6.3mm dry heating element bracket mounting tube ø 6.3mm heating circuits 1 hole ø M4mm lug length 36mm lug width 16mm		


			
1			
<b>GEV No.</b>	415596	<b>Ref. No.</b>	105439
<b>description</b>	heating element 1500W 230V heating circuits 1 L 395mm W 198mm tube ø 6.5mm lug length 31mm lug width 16mm connection length 30mm connection male faston 6.3mm dry heating element bracket mounting hole distance 160mm mounting thread M4		

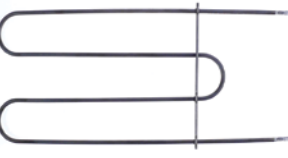
			
1			
<b>GEV No.</b>	415894	<b>Ref. No.</b>	105454
<b>description</b>	heating element 150W 230V L 300mm W 198mm connection male faston 6.3mm dry heating element rectangular flange tube ø 6.5mm heating circuits 1 connection length 26mm mounting thread M4 lug length 30mm lug width 16mm		


			
1			
<b>GEV No.</b>	415895	<b>Ref. No.</b>	105029
<b>description</b>	heating element 250W 230V L 490mm W 200mm connection male faston 6.3mm dry heating element bracket mounting tube ø 6.5mm heating circuits 1 mounting distance 160mm lug length 30mm lug width 10mm		


			
1			
<b>GEV No.</b>	418285	<b>Ref. No.</b>	00105911
<b>description</b>	heating element 275W 230V L 395mm W 35mm connection male faston 6.3mm dry heating element rectangular flange tube ø 6.5mm heating circuits 1 flange length 41mm flange width 22mm hole ø 5mm connection length 35mm		

			
1			
<b>GEV No.</b>	418278	<b>Ref. No.</b>	105793
<b>description</b>	heating element 350W 230V L 422mm W 306mm dry heating element bracket mounting tube ø 6.3mm heating circuits 1 cable length 495mm windings 2 lug length 42mm lug width 10mm		


			
1			
<b>GEV No.</b>	418284	<b>Ref. No.</b>	105794
<b>description</b>	heating element 550W 230V L 422mm W 468mm dry heating element bracket mounting tube ø 6.5mm heating circuits 1 hole distance 27mm cable length 450mm hole ø 5.5mm windings 3 connection length 22mm lug length 42mm lug width 10mm		

			
1			
<b>GEV No.</b>	418851	<b>Ref. No.</b>	105881
<b>description</b>	heating element 700W 230V L 430mm W 200mm connection male faston 6.3mm dry heating element tube ø 6.3mm heating circuits 1 bridge length 215mm connection distance 190mm		

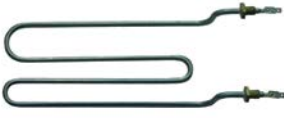
			
1			
<b>GEV No.</b>	415910	<b>Ref. No.</b>	105723
<b>description</b>	heating element 900W 230V L 650mm W 180mm connection male faston 6.3mm dry heating element bracket mounting tube ø 6.3mm heating circuits 1 hole ø M4mm lug length 36mm lug width 16mm		

			
1			
<b>GEV No.</b>	420304	<b>Ref. No.</b>	00105983
<b>description</b>	heating element bain marie 2200W 230V L 395mm W 200mm connection male faston 6.3mm dry heating element tube ø 6.25mm heating circuits 1 connection distance 192mm		







			
<b>GEV No.</b>	420303	<b>Ref. No.</b>	00105020
<b>description</b>	heating element bain marie 700W 230V L 400mm W 200mm connection male faston 6.3mm dry heating element tube ø 6.25mm heating circuits 1 connection distance 193mm		

immersion heating elements

			
<b>GEV No.</b>	415636	<b>Ref. No.</b>	N/A
<b>description</b>	heating element 2000W 230V L 260mm W 102mm H 45mm L1 50mm L2 210mm thread 1/8" mounting distance 100mm heating circuits 1 connection male faston 6.3mm tube ø 6.3mm 2 hole fixing immersion heater		

heating elements for convection

			
<b>GEV No.</b>	419157	<b>Ref. No.</b>	127659
<b>description</b>	heating element 1600W 230V heating circuits 1 ID ø 173mm ED ø 190mm L 250mm H 35mm L1 45mm W1 32mm H2 30mm flange length 70mm flange width 22mm hole distance 56mm connection male faston 6.3mm connection length 55mm tube ø 8.5mm convection heating element rectangular flange		

			
<b>GEV No.</b>	415893	<b>Ref. No.</b>	105672 105708
<b>description</b>	heating element 1800W 230V heating circuits 1 ID ø 190mm ED ø 204mm L 216mm H 25mm L1 7mm W1 32mm H1 10mm H2 15mm flange length 70mm flange width 22mm hole distance 56mm connection male faston 6.3mm tube ø 6.5mm convection heating element hole ø 5mm rectangular flange		
<b>spare parts for</b>	415893		
	<b>GEV No.</b>	510368	<b>Ref. No.</b> —
	gasket L 70mm W 23.5mm hole ø 5mm hole distance 56mm FIBER thickness 2mm for heating element		
<b>accessories for</b>	415893		
	<b>GEV No.</b>	510426	<b>Ref. No.</b> —
	gasket L 72mm W 20mm hole distance 56mm silicone thickness 2mm for heating element		

radiation heaters


1-circuit


			
<b>GEV No.</b>	490025	<b>Ref. No.</b>	00117624
<b>description</b>	radiation heater ø 200mm 1700W 230V heating circuits 1 energy regulation with temperature signalization with heating coil connections 2+2 connection type male faston 6.3mm EGO		


thermostats

bi-metal thermostats


safety bi-metal thermostats


			
<b>GEV No.</b>	390311	<b>Ref. No.</b>	00105805
<b>description</b>	bi-metal safety thermostat hole distance mm switch-off temp. 135°C 1NC 1-pole 16A connection F6.3 M4		


			
<b>GEV No.</b>	375732	<b>Ref. No.</b>	297578
<b>description</b>	bi-metal safety thermostat hole distance mm switch-off temp. 150°C 1NC 1-pole 16A connection F6.3 M4		


			
<b>GEV No.</b>	375730	<b>Ref. No.</b>	105803 105804
<b>description</b>	bi-metal safety thermostat switch-off temp. 115°C 1NC 1-pole 16A connection F6.3 M4		


bi-metal thermostats

			
<b>GEV No.</b>	390439	<b>Ref. No.</b>	117653
<b>description</b>	bi-metal thermostat hole distance 23.5mm switch-off temp. 70°C 1NC 10A 250V connection F6.3		

			
1			
<b>GEV No.</b>	375242	<b>Ref. No.</b>	105751
<b>description</b>	bi-metal thermostat hole distance mm switch-off temp. 92°C 1NC 1-pole 16A connection F6.3 spindle ø3.5mm		

			
1			
<b>GEV No.</b>	390104	<b>Ref. No.</b>	105483
<b>description</b>	bi-metal thermostat hole distance mm switch-off temp. 95°C 1NC 1-pole 16A connection F6.3		

			
1			
<b>GEV No.</b>	375733	<b>Ref. No.</b>	105733 105773
<b>description</b>	bi-metal thermostat switch-off temp. 63/80°C 2NC 2-pole 16A connection F6.3 spindle ø3.5mm		


			
1			
<b>GEV No.</b>	375243	<b>Ref. No.</b>	105754
<b>description</b>	bi-metal thermostat switch-off temp. 80/105°C 2NC 2-pole 16A connection F6.3 spindle ø3.5mm		

control and safety thermostats

EGO

control thermostats


55.14\_ series

			
1			
<b>GEV No.</b>	375241	<b>Ref. No.</b>	105797
<b>description</b>	thermostat t.max. 130°C temperature range 30-130°C 1-pole 1NO 16A probe ø 6mm probe L 83mm capillary pipe 880mm gland nut shaft ø ø6x4.6mm shaft L 25mm shaft position upper rotation 270°		

			
1			
<b>GEV No.</b>	375239	<b>Ref. No.</b>	105795
<b>description</b>	thermostat t.max. 83°C temperature range 30-83°C 1-pole 1NO 16A probe ø 6mm probe L 113mm capillary pipe 1480mm capillary pipe isolated 700mm gland nut shaft ø ø6x4.6mm shaft L 25mm shaft position upper rotation 270° probe material SS		

			
1			
<b>GEV No.</b>	375716	<b>Ref. No.</b>	105796
<b>description</b>	thermostat t.max. 95°C temperature range 30-95°C 1-pole 1NO 10A probe ø 6mm probe L 113mm capillary pipe 1480mm capillary pipe isolated 700mm gland nut shaft ø ø6x4.6mm shaft L 25mm shaft position upper rotation 270°		


55.18\_ series

			
1			
<b>GEV No.</b>	375714	<b>Ref. No.</b>	105883
<b>description</b>	thermostat t.max. 116°C temperature range 35-116°C 1-pole 1NO 16A probe ø 6mm probe L 113mm capillary pipe 1770mm capillary pipe isolated 500mm gland nut shaft ø ø6x4.6mm shaft L 15mm shaft position right rotation 270°		




<b>GEV No.</b>	390769	<b>Ref. No.</b>	00105900
<b>description</b>	thermostat t.max. 130°C temperature range 35-130°C 1-pole 1NO 16A probe ø 6mm probe L 113mm capillary pipe 900mm capillary pipe isolated 500mm shaft ø 6x4.6mm shaft L 17mm shaft position right rotation 270°		

55.34\_ series




<b>GEV No.</b>	375020	<b>Ref. No.</b>	105147
<b>description</b>	thermostat t.max. 110°C temperature range 32-110°C 3-pole capillary pipe isolatedmm gland nut		



<b>GEV No.</b>	375715	<b>Ref. No.</b>	105899
<b>description</b>	thermostat t.max. 85°C temperature range 35-85°C 1-pole 1NO 16A probe ø 6mm probe L 113mm capillary pipe 2020mm capillary pipe isolated 500mm gland nut shaft ø 6x4.6mm shaft L 15mm shaft position right rotation 270°		

control thermostats with operation switch

55.13\_ series



<b>GEV No.</b>	375037	<b>Ref. No.</b>	105127
<b>description</b>	thermostat t.max. 110°C 1-pole capillary pipe isolatedmm gland nut		



<b>GEV No.</b>	375729	<b>Ref. No.</b>	00359583
<b>description</b>	thermostat t.max. 95°C temperature range 34-95°C 1-pole 1NO 16A probe ø 6mm probe L 113mm capillary pipe 1470mm capillary pipe isolatedmm gland nut shaft ø 6x4.6mm shaft L 25mm shaft position right rotation 270°		



<b>GEV No.</b>	375743	<b>Ref. No.</b>	105126
<b>description</b>	thermostat t.max. 80°C temperature range 30-80°C 1-pole 1NO 16A probe ø 6mm probe L 115mm capillary pipe 1430mm capillary pipe isolatedmm gland nut shaft ø 6x4.6mm shaft L 23mm shaft position upper rotation 270° outer switch 2NO		



various

control thermostats

E·G·O



1

<b>GEV No.</b>	376056	<b>Ref. No.</b>	00106380
<b>description</b>	thermostat t.max. 106°C temperature range 35-116°C 1-pole 1NC probe ø 6mm probe L 112mm capillary pipe 1770mm capillary pipe isolated 500mm gland nut shaft ø 6x4.6mm shaft L 15mm shaft position left		



1

<b>GEV No.</b>	375761	<b>Ref. No.</b>	105678
<b>description</b>	thermostat t.max. 115°C temperature range 20-115°C 1-pole 1NO 16A probe ø 4mm probe L 120mm capillary pipe 1600mm capillary pipe isolated 130mm gland nut shaft ø 6x4.6mm shaft L 15mm shaft position upper rotation 315°		


## switches and momentary switches

## rocker/momentary rocker switches

19x13mm



1

<b>GEV No.</b>	301069 <sup>1</sup>	<b>Ref. No.</b>	105674	
<b>description</b>	rocker switch mounting measurements 19x13mm green 2NO 250V 13A illuminated 0-I connection male faston 4.8mm protection IP40			
<b>accessories for</b>	301069			
	<b>GEV No.</b>	301064	<b>Ref. No.</b>	—
	protective cover for pressure switch external size 23.4x17.4mm internal size 19x13mm H 7.5mm clear mounting measurementsmm			

<sup>1</sup>illuminated

30x22mm




1

<b>GEV No.</b>	347791	<b>Ref. No.</b>	00106868 406868
<b>description</b>	rocker switch mounting measurements 30x22mm green 2NO 230V 20A illuminated 0-I connection male faston 6.3mm ambient temperature max. 125/55°C protection IP65 with rubber collar		

labelled



1

<b>GEV No.</b>	345419	<b>Ref. No.</b>	105778	
<b>description</b>	rocker switch mounting measurements 30x22mm green 2NO 250V 16A illuminated 0-I connection male faston 6.3mm ambient temperature max. 85°C protection IP65 with cover cap			
<b>accessories for</b>	345419			
	<b>GEV No.</b>	301036	<b>Ref. No.</b>	—
	protective cover internal size 30x22mm for rocker switch mounting measurementsmm			

## push/momentary push switches

30x22mm



1

<b>GEV No.</b>	345235 <sup>1</sup>	<b>Ref. No.</b>	105798
<b>description</b>	push switch mounting measurements 30x22mm green 2NO 250V 16A illuminated connection male faston 6.3mm ambient temperature max. 85°C protection IP40		

<sup>1</sup>illuminated

1


<b>GEV No.</b>	301082	<b>Ref. No.</b>	105912
<b>description</b>	push switch mounting measurements 30x22mm green 2NO 250V 12A connection male faston 6.3mm ambient temperature max. 85/55°C protection IP54 with protective collar		






accessories


gaskets

			
1			
<b>GEV No.</b>	550911	<b>Ref. No.</b>	267063
<b>description</b>	gasket for controllers/switches		

lamps


indicator lights

indicator lights (complete)			
ø14mm			
with plug-in socket			
			
1			
<b>GEV No.</b>	359148	<b>Ref. No.</b>	105188
<b>description</b>	indicator light ø 14mm green 230V connection male faston 6.3mm temp.-resist. 120°C voltage AC		

ø16mm			
with plug-in socket			
			
1			
<b>GEV No.</b>	359910	<b>Ref. No.</b>	359910
<b>description</b>	indicator light ø 16mm 230V red cable length 200mm cable material silicone wire		

transformers

encapsulated transformers














PMA			
			
1			
<b>GEV No.</b>	379054	<b>Ref. No.</b>	105791
<b>description</b>	transformer primary 230VAC secondary 12VAC 3VA secondary 0.25A H 40mm L 45mm W 50mm connection screw 50/60Hz type 153/M		

electronic controllers

DIXELL

refrigeration controllers

built-in version

			
1			
<b>GEV No.</b>	402144	<b>Ref. No.</b>	00149625
<b>description</b>	electronic controller DIXELL XR60CX -5N0C1 mounting measurements 71x29mm 230V voltage AC NTC/PTC relay outputs 3 NO-20A(8) CO-8A(3) NO-5A(2) NTC/PTC NTC/PTC DI -50 up to +150°C display 3½ digits		
<b>accessories for</b>	402144		
	<b>GEV No.</b>	<b>Ref. No.</b>	—
	378194		
	temperature probe NTC 10kOhm cable PVC probe -20 up to +80°C cable -10 up to 100°C probe ø7x24.5mm cable length 1.5m without screw connection 2-wire		
	<b>GEV No.</b>	<b>Ref. No.</b>	—
	378551		
	adapter for reducer mounting measurements 71x29mm		
	<b>GEV No.</b>	<b>Ref. No.</b>	105788
	379052		
	temperature probe PTC 1kOhm cable silicone probe -50 up to +150°C cable -50 up to +180°C probe ø6x40mm cable length 1.5m without screw connection 2-wire		
	<b>GEV No.</b>	<b>Ref. No.</b>	—
	379053		
	temperature probe PTC 1kOhm cable PVC probe -50 up to +150°C cable -10 up to 100°C probe ø6x30mm cable length 3m without screw connection 2-wire		
	<b>GEV No.</b>	<b>Ref. No.</b>	—
	379057		
	temperature probe NTC 10kOhm cable PVC probe -20 up to +80°C cable -10 up to 100°C probe ø6x25mm cable length 3m 2-wire		
	<b>GEV No.</b>	<b>Ref. No.</b>	—
	379064		
	temperature probe PTC 1kOhm cable silicone probe -50 up to +150°C cable -50 up to +180°C probe ø6x40mm cable length 3m without screw connection 2-wire		
	<b>GEV No.</b>	<b>Ref. No.</b>	—
	379160		
	temperature probe NTC 10kOhm cable thermoplastic probe -40 up to +110°C cable -40 up to +110°C probe ø6x14mm cable length 1.5m without screw connection 2-wire		
	<b>GEV No.</b>	<b>Ref. No.</b>	—
	379161		
	temperature probe NTC 10kOhm cable thermoplastic probe -40 up to +110°C cable -40 up to +110°C probe ø6x14mm cable length 3m without screw connection 2-wire		
	<b>GEV No.</b>	<b>Ref. No.</b>	—
	379343		
	temperature probe NTC 10kOhm cable silicone probe -40 up to +110°C cable -50 up to +180°C probe ø6x40mm cable length 3m 2-wire		
	<b>GEV No.</b>	<b>Ref. No.</b>	—
	379458		
	temperature probe NTC 10kOhm cable silicone probe -40 up to +110°C cable -50 up to +180°C probe ø6x40mm cable length 1.5m without screw connection 2-wire		
	<b>GEV No.</b>	<b>Ref. No.</b>	—
	379782		
	temperature probe PTC 1kOhm cable thermoplastic probe -50 up to +150°C cable -40 up to +110°C probe ø6x14mm cable length 3m 2-wire resistor 1kOhm		
	<b>GEV No.</b>	<b>Ref. No.</b>	—
	402818		
	programming key 4K for electronic controller DIXELL		







## ELIWELL

## universal controllers

## built-in version







1

<b>GEV No.</b>	379559	<b>Ref. No.</b>	105790 106386
<b>description</b>	electronic controller ELIWELL type IC901 mounting measurements 71x29mm 12V voltage AC/DC NTC/PTC relay outputs 1 relay refrigeration front measurements 74x32mm built-in depth 60mm protection IP65 accuracy superior to 0.5% from final value% defr. funct. no -55 up to +150°C display 2½ digit TempIn1 yes 15A		
<b>accessories for</b>	379559		
	<b>GEV No.</b>	<b>Ref. No.</b>	—
	379053		temperature probe PTC 1kOhm cable PVC probe -50 up to +150°C cable -10 up to 100°C probe ø6x30mm cable length 3m without screw connection 2-wire
	379064		temperature probe PTC 1kOhm cable silicone probe -50 up to +150°C cable -50 up to +180°C probe ø6x40mm cable length 3m without screw connection 2-wire
	379161		temperature probe NTC 10kOhm cable thermoplastic probe -40 up to +110°C cable -40 up to +110°C probe ø6x14mm cable length 3m without screw connection 2-wire
	379782		temperature probe PTC 1kOhm cable thermoplastic probe -50 up to +150°C cable -40 up to +110°C probe ø6x14mm cable length 3m 2-wire resistor 1kOhm



1

<b>GEV No.</b>	379562	<b>Ref. No.</b>	106189
<b>description</b>	electronic controller ELIWELL type IC902 mounting measurements 71x29mm 12V voltage AC/DC NTC/PTC relay outputs 1 relay front measurements 74x32mm built-in depth 61mm protection IP65 accuracy superior to 0.5% from final value% defr. funct. no -55 up to +150°C display 2½ digit TempIn1 yes 8A		
<b>accessories for</b>	379562		
	<b>GEV No.</b>	<b>Ref. No.</b>	105788
	379052		temperature probe PTC 1kOhm cable silicone probe -50 up to +150°C cable -50 up to +180°C probe ø6x40mm cable length 1.5m without screw connection 2-wire
	379064		temperature probe PTC 1kOhm cable silicone probe -50 up to +150°C cable -50 up to +180°C probe ø6x40mm cable length 3m without screw connection 2-wire
	379161		temperature probe NTC 10kOhm cable thermoplastic probe -40 up to +110°C cable -40 up to +110°C probe ø6x14mm cable length 3m without screw connection 2-wire

<b>accessories for</b>	379562		
	<b>GEV No.</b>	<b>Ref. No.</b>	—
	379782		temperature probe PTC 1kOhm cable thermoplastic probe -50 up to +150°C cable -40 up to +110°C probe ø6x14mm cable length 3m 2-wire resistor 1kOhm

## SHANGFANG

## accessories



1

<b>GEV No.</b>	379054	<b>Ref. No.</b>	105791
<b>description</b>	transformer primary 230VAC secondary 12VAC 3VA secondary 0.25A H 40mm L 45mm W 50mm connection screw 50/60Hz type 153/M		

## probes

## universal probes

## temperature probes



1

<b>GEV No.</b>	379052	<b>Ref. No.</b>	105788
<b>description</b>	temperature probe PTC 1kOhm cable silicone probe -50 up to +150°C cable -50 up to +180°C probe ø6x40mm cable length 1.5m without screw connection 2-wire		

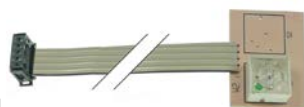
## electronics

## PCBs



1

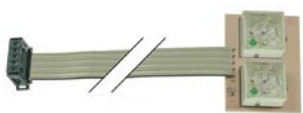
<b>GEV No.</b>	402968	<b>Ref. No.</b>	00116211
<b>description</b>	control PCB for ceramic stove top L 140mm W 39mm		




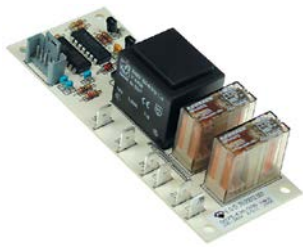
1


<b>GEV No.</b>	401387	<b>Ref. No.</b>	105746
<b>description</b>	keypad PCB plate dispenser SHE 21-26		




			
1			
<b>GEV No.</b>	401388	<b>Ref. No.</b>	105747
<b>description</b>	keypad PCB plate dispenser SHE 21-26		

			
1			
<b>GEV No.</b>	401399	<b>Ref. No.</b>	105771
<b>description</b>	PCB heated trolley BLANCO		


			
1			
<b>GEV No.</b>	401390	<b>Ref. No.</b>	105749
<b>description</b>	PCB plate dispenser SHE 21-26 double		
<b>accessories for</b>	401390		
	<b>GEV No.</b>	<b>Ref. No.</b>	
	401388	105747	
	keypad PCB plate dispenser SHE 21-26		


			
1			
<b>GEV No.</b>	401389	<b>Ref. No.</b>	105748
<b>description</b>	PCB plate dispenser SHE 21-26 single		


			
1			
<b>GEV No.</b>	401722	<b>Ref. No.</b>	105770
<b>description</b>	PCB triple		


## keypads


### front foils


			
1			
<b>GEV No.</b>	401402	<b>Ref. No.</b>	146205
<b>description</b>	front foil		


			
1			
<b>GEV No.</b>	401403	<b>Ref. No.</b>	146212
<b>description</b>	front foil		


			
1			
<b>GEV No.</b>	401395	<b>Ref. No.</b>	146209
<b>description</b>	keypad foil 4-fold		


			
1			
<b>GEV No.</b>	401396	<b>Ref. No.</b>	146211
<b>description</b>	keypad foil 6-fold		


			
1			
<b>GEV No.</b>	401392	<b>Ref. No.</b>	146207
<b>description</b>	keypad foil double		


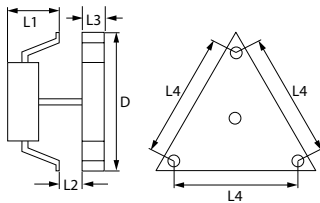
			
1			
<b>GEV No.</b>	401401	<b>Ref. No.</b>	146533
<b>description</b>	keypad foil double		


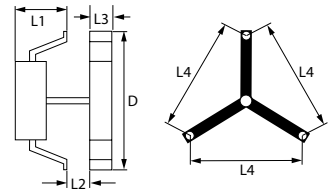
1	
<b>GEV No.</b>	401405
<b>Ref. No.</b>	146534
<b>description</b>	keypad foil double



1	
<b>GEV No.</b>	401391
<b>Ref. No.</b>	146206
<b>description</b>	keypad foil single

1	
<b>GEV No.</b>	401404
<b>Ref. No.</b>	146213
<b>description</b>	keypad foil single

1	
<b>GEV No.</b>	401394
<b>Ref. No.</b>	146208
<b>description</b>	keypad foil triple
<b>For models:</b>	SAW3

1	
	
<b>GEV No.</b>	601267
<b>Ref. No.</b>	106188
<b>description</b>	hot air fan 230V 32W 0.27A L1 60mm L2 50mm L3 20mm L4 157mm fan wheel ø 150mm ebm-papst type R2K150-0020A9


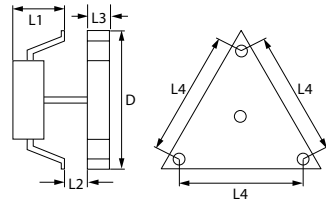
1	
	
<b>GEV No.</b>	601254
<b>Ref. No.</b>	105913
<b>description</b>	hot air fan 230V 32W 0.27A L1 58mm L2 12mm L3 20mm L4 87mm fan wheel ø 150mm type R2A150/0020A7-4218 ebm-papst

<b>HEIDOLPH</b>			
1			
<b>GEV No.</b>	601268	<b>Ref. No.</b>	105671
<b>description</b>	hot air fan 230V 27W L1 80mm L2 5mm L3 30mm L4 120mm fan wheel ø 150mm HEIDOLPH type 113.30.001651C		
<b>spare parts for</b>	601268		
	<b>GEV No.</b>	601086	<b>Ref. No.</b> —
	Thumb screw ø 20mm thickness 10mm thread M4 for hot air fan		

fans

hot air fans

ebm-papst

1	
	
<b>GEV No.</b>	601249
<b>Ref. No.</b>	105786
<b>description</b>	hot air fan 230V 32W 0.27A L1 60mm L2 20mm L3 20mm L4 157mm fan wheel ø 150mm ebm-papst type R2K150-AC01-15



## electric accessories

### cables

#### power supply cables



1

<b>GEV No.</b>	550553	<b>Ref. No.</b>	00105905
<b>description</b>	medium temperature appliance supply cable CEE7/7 - C15 3-pole contacts P+N+E 1mm <sup>2</sup> max. 10A max 250V 2.0m H05VVFT120 insulation PVC countries D/F/B/I black		

#### spiral cables



1

<b>GEV No.</b>	550072	<b>Ref. No.</b>	105328
<b>description</b>	spiral cable plug type 1.5mm <sup>2</sup> 3-pole without plug L 480mm expansion 5:1 black		



1

<b>GEV No.</b>	550101	<b>Ref. No.</b>	105068 105877
<b>description</b>	spiral cable plug type CEE7/7 type E+F 1.5mm <sup>2</sup> 3-pole with plug L 500mm expansion 5:1 countries A/B/D/F/I orange t.max. 70°C		



1

<b>GEV No.</b>	550071	<b>Ref. No.</b>	105060 105288 105878 106939
<b>description</b>	spiral cable plug type CEE7/7 type E+F 1.5mm <sup>2</sup> 3-pole with plug L 500mm expansion 5:1 countries A/D/I black		

## equipment-specific units

### for sliding doors

#### door guides



1

<b>GEV No.</b>	700886	<b>Ref. No.</b>	295639
<b>description</b>	guide left		



1

<b>GEV No.</b>	700885	<b>Ref. No.</b>	295638
<b>description</b>	guide right		

### for food transport carts



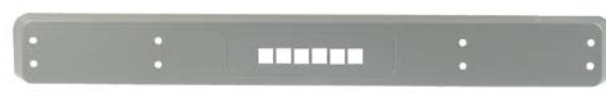
1

<b>GEV No.</b>	701040	<b>Ref. No.</b>	00146651
<b>description</b>	cover cap for screw plastic H 6mm ID ø 8.8mm ext. ø 11 grey Qty 1 pcs		



1

<b>GEV No.</b>	690912	<b>Ref. No.</b>	276880
<b>description</b>	side panel 4-fold W 654mm suitable for BLANCO SAG2/4		



1


<b>GEV No.</b>	690913	<b>Ref. No.</b>	276882
<b>description</b>	side panel 6-fold W 654mm suitable for BLANCO SAG3		




1

<b>GEV No.</b>	690926	<b>Ref. No.</b>	146414 276875
<b>description</b>	side panel double W 454mm suitable for BLANCO		

1			
<b>GEV No.</b>	690922	<b>Ref. No.</b>	146412 276878
<b>description</b>	side panel double W 654mm suitable for BLANCO SAW2/4		

1			
<b>GEV No.</b>	694458	<b>Ref. No.</b>	00276876
<b>description</b>	side panel mounting pos. handle side W 657mm H 78mm plastic		

1			
<b>GEV No.</b>	690911	<b>Ref. No.</b>	146419
<b>description</b>	side panel neutral W 454mm suitable for BLANCO SAW1		

1				
<b>GEV No.</b>	690906	<b>Ref. No.</b>	146418	
<b>description</b>	side panel neutral W 654mm suitable for BLANCO universal			
<b>accessories for</b>	690906			
	<b>GEV No.</b>	524435	<b>Ref. No.</b>	—
	plate nut hole $\varnothing$ 3mm L 25mm W 11mm			

1			
<b>GEV No.</b>	690921	<b>Ref. No.</b>	276874
<b>description</b>	side panel single W 454mm suitable for BLANCO SAW1		

1			
<b>GEV No.</b>	690927	<b>Ref. No.</b>	276877
<b>description</b>	side panel single W 654mm suitable for BLANCO		



1			
<b>GEV No.</b>	690923	<b>Ref. No.</b>	276879
<b>description</b>	side panel triple W 654mm suitable for BLANCO SAW3		


## for dishwashers

## miscellaneous

1			
<b>GEV No.</b>	700887	<b>Ref. No.</b>	362587 376895
<b>description</b>	rubber pad		

## for plate dispensers

1				
<b>GEV No.</b>	550912	<b>Ref. No.</b>	105142 295377	
<b>description</b>	bracket for plug			
<b>accessories for</b>	550912			
	<b>GEV No.</b>	550071	<b>Ref. No.</b>	105060 105288 105878 106939
	spiral cable plug type CEE7/7 type E+F 1.5mm <sup>2</sup> 3-pole with plug L 500mm expansion 5:1 countries A/D/I black			

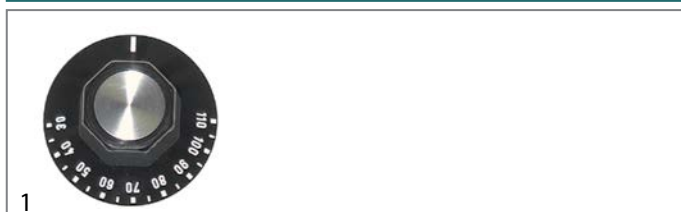
1			
<b>GEV No.</b>	694457	<b>Ref. No.</b>	00362428 146577 376900
<b>description</b>	guide for plate dispensers L 790mm W 54mm $\varnothing$ 16mm grey plastic		



<b>GEV No.</b>	694453	<b>Ref. No.</b>	00146582 296055
<b>description</b>	lid large for plate dispensers L 367mm W 364mm H 125mm transparent plastic		

## knobs

### universal knobs



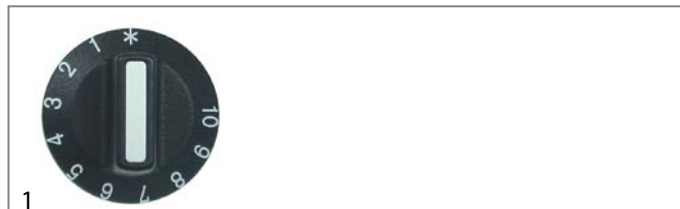
<b>GEV No.</b>	110119	<b>Ref. No.</b>	105373
<b>description</b>	knob thermostat t.max. 110°C ø 50mm shaft ø 6x4.6mm shaft flat upper black temperature range 30-110°C rotation 270°		

<b>accessories for</b>	110119		
	<b>GEV No.</b>	110135	<b>Ref. No.</b> 105121
	rosette knob up to ø 52mm		



<b>GEV No.</b>	111901	<b>Ref. No.</b>	105372
<b>description</b>	knob thermostat t.max. 80°C ø 50mm shaft ø 6x4.6mm shaft flat upper black temperature range 30-80°C rotation 270°		

<b>accessories for</b>	111901		
	<b>GEV No.</b>	110135	<b>Ref. No.</b> 105121
	rosette knob up to ø 52mm		



<b>GEV No.</b>	111874	<b>Ref. No.</b>	292846
<b>description</b>	knob thermostat 1-10 t.max.°C ø 42mm shaft ø 6x4.6mm shaft flat lower black		

### producer-specific knobs

#### BLANCO



<b>GEV No.</b>	111875	<b>Ref. No.</b>	146654
<b>description</b>	knob thermostat 1-10 t.max.°C ø 28mm shaft ø 6x4.6mm shaft flat lower black		




<b>GEV No.</b>	111893	<b>Ref. No.</b>	105675
<b>description</b>	knob thermostat 1-10 t.max.°C ø 40mm shaft ø 6x4.6mm shaft flat lower black		




<b>GEV No.</b>	111874	<b>Ref. No.</b>	292846
<b>description</b>	knob thermostat 1-10 t.max.°C ø 42mm shaft ø 6x4.6mm shaft flat lower black		



<b>GEV No.</b>	110119	<b>Ref. No.</b>	105373
<b>description</b>	knob thermostat t.max. 110°C ø 50mm shaft ø 6x4.6mm shaft flat upper black temperature range 30-110°C rotation 270°		

<b>accessories for</b>	110119		
	<b>GEV No.</b>	110135	<b>Ref. No.</b> 105121
	rosette knob up to ø 52mm		




1

<b>GEV No.</b>	111901	<b>Ref. No.</b>	105372
<b>description</b>	knob thermostat t.max. 80°C ø 50mm shaft ø 6x4.6mm shaft flat upper black temperature range 30-80°C rotation 270°		
<b>accessories for</b>	111901		
	<b>GEV No.</b>	<b>Ref. No.</b>	105121
	rosette knob up to ø 52mm		

## accessories


### knob adaptors



1

<b>GEV No.</b>	692057	<b>Ref. No.</b>	297909
<b>description</b>	knob adaptor shaft ø 5x7mm SS		

### rosettes



1

<b>GEV No.</b>	110135	<b>Ref. No.</b>	105121
<b>description</b>	rosette knob up to ø 52mm		

## handles and hand wheels

### cylindrical handles

#### fixed



1

<b>GEV No.</b>	693471	<b>Ref. No.</b>	146202
<b>description</b>	cylindrical handle thread M8 ø 20mm L 36mm		


## handle bars

### handle bars




1

<b>GEV No.</b>	690897	<b>Ref. No.</b>	292297 359998
<b>description</b>	handle rod tube ø 25mm thickness 1.5mm L 362mm SS		



1


<b>GEV No.</b>	690932	<b>Ref. No.</b>	252659 299070
<b>description</b>	handle rod tube ø 25mm thickness 1.5mm L 605mm SS		



1


<b>GEV No.</b>	690928	<b>Ref. No.</b>	295344
<b>description</b>	handle rod tube ø 25mm thickness 1.5mm L 708mm SS		

### consoles




1

<b>GEV No.</b>	690925	<b>Ref. No.</b>	144041
<b>description</b>	console for handle rod tube ø 25mm		



1


<b>GEV No.</b>	694456	<b>Ref. No.</b>	00362312 00376809
<b>description</b>	console for handle rod tube ø 30mm plastic mounting pos. left Qty 1 pcs		



1


<b>GEV No.</b>	694455	<b>Ref. No.</b>	00362311 00376808
<b>description</b>	console for handle rod tube ø 30mm plastic mounting pos. right Qty 1 pcs		






1

<b>GEV No.</b>	693465	<b>Ref. No.</b>	00362975 146585
<b>description</b>	console tube ø 25mm		
<b>accessories for</b>	693465		



<b>GEV No.</b>	693466	<b>Ref. No.</b>	146587 362977
<b>description</b>	plug for console		

## accessories



1

<b>GEV No.</b>	693466	<b>Ref. No.</b>	146587 362977
<b>description</b>	plug for console		

## handle rails

### BLANCO



1

<b>GEV No.</b>	690910	<b>Ref. No.</b>	146624 362976
<b>description</b>	handle rail blue		


## handle rails



1


<b>GEV No.</b>	690910	<b>Ref. No.</b>	146624 362976
<b>description</b>	handle rail blue		

## bracket handles




1

<b>GEV No.</b>	690904	<b>Ref. No.</b>	00146416
<b>description</b>	pull handle L 155mm H 65mm mounting distance 135mm		
<b>accessories for</b>	690904		



<b>GEV No.</b>	690905	<b>Ref. No.</b>	00146417 146417
<b>description</b>	cover for handle		

## covers



1

<b>GEV No.</b>	690905	<b>Ref. No.</b>	00146417
<b>description</b>	cover for handle		

## recessed handles



1

<b>GEV No.</b>	697778	<b>Ref. No.</b>	146842
<b>description</b>	recessed handle L 102mm W 88mm H 20mm		



1

<b>GEV No.</b>	697899	<b>Ref. No.</b>	00362289 376806
<b>description</b>	recessed handle L 102mm W 88mm H 20mm grey		

miscellaneous


			
1			
<b>GEV No.</b>	690941	<b>Ref. No.</b>	127648
<b>description</b>	handle		

locks

locking devices


producer-specific

BLANCO

			
1			
<b>GEV No.</b>	690917	<b>Ref. No.</b>	144350
<b>description</b>	key cylinder straight thread M20x1.25 rotation 180° cam length 52mm cam width 23mm		


snap locks

universal

			
1			
<b>GEV No.</b>	690903	<b>Ref. No.</b>	144345
<b>description</b>	snap lock L 69mm W 13mm H 20mm mounting distance 57mm complete with door catch nickel-plated brass		

hinges

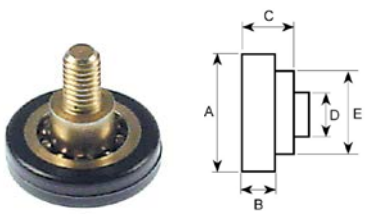
door bearing

			
1			
<b>GEV No.</b>	690940	<b>Ref. No.</b>	292001
<b>description</b>	hinge bearing without bolt		

pullouts

rollers

rollers

			
1			
<b>GEV No.</b>	690920	<b>Ref. No.</b>	146285
<b>description</b>	roller rollerø 24mm B1 6mm A 24mm B 6mm C 11.6mm D M6mm E 10mm plastic bearing ball bearing with thread bolt thread M6		

fittings for catering equipment

outlet taps

producer-specific


BLANCO

			
1			
<b>GEV No.</b>	520838	<b>Ref. No.</b>	0145632
<b>description</b>	outlet tap L 68mm thread 1/2" ET / 3/4" ET		


STEINCO


with fixing plate

chrome-plated steel


			
1			
<b>GEV No.</b>	710024	<b>Ref. No.</b>	146169 146807
<b>description</b>	fixed castor ø 125mm plate fixing housing zinc-plated sheet steel plate size 77x66mm hole distance 60x50mm capacity 100kg bearing ball bearing wheel body polyamide tread 30 H 162mm wheel width 32mm Qty 1 pcs		




			
1			
<b>GEV No.</b>	710000	<b>Ref. No.</b>	145058 146162 146164 146805
<b>description</b>	swivel castor ø 125mm plates fixing 77x67mm housing zinc-plated sheet steel plate size 77x66mm hole distance 60x50mm capacity 100kg bearing ball bearing wheel body polyamide tread 30 H 162mm wheel width 32mm Qty 1 pcs		


			
1			
<b>GEV No.</b>	700312 <sup>1</sup>	<b>Ref. No.</b>	145059 146150 146155 146157 146806
<b>description</b>	swivel castor with swivel brake ø 125mm plate fixing housing zinc-plated sheet steel plate size 77x66mm hole distance 60x50mm capacity 100kg bearing ball bearing wheel body polyamide tread 30 H 162mm wheel width 32mm Qty 1 pcs		


<sup>1</sup>with swivel brake

with spigot			
chrome-plated steel			
			
1			
<b>GEV No.</b>	700309	<b>Ref. No.</b>	146802
<b>description</b>	swivel castor ø 125mm spigot housing chrome-plated steel capacity 90kg spigot hight 62mm spigot-ø 22x22mm bearing slide bearing wheel body polyamide tread thermoplastic rubber H 161mm wheel width 32mm Qty 1 pcs		


			
1			
<b>GEV No.</b>	700310 <sup>1</sup>	<b>Ref. No.</b>	146803
<b>description</b>	swivel castor with swivel brake ø 125mm spigot housing chrome-plated sheet steel capacity 90kg spigot hight 62mm spigot-ø 22x22mm bearing slide bearing wheel body polyamide tread thermoplastic H 161mm wheel width 32mm Qty 1 pcs		


<sup>1</sup>with swivel brake

with thread			
chrome-plated steel			
			
1			
<b>GEV No.</b>	700251	<b>Ref. No.</b>	145072
<b>description</b>	swivel castor ø 125mm thread housing chrome-plated steel capacity 90kg thread L 15.5mm thread ø M10mm bearing slide bearing wheel body polypropylene tread thermoplastic H 161mm wheel width 32mm -20 up to +60°C Qty 1 pcs		


			
1			
<b>GEV No.</b>	700252 <sup>1</sup>	<b>Ref. No.</b>	145073
<b>description</b>	swivel castor with swivel brake ø 125mm thread housing chrome-plated steel capacity 90kg thread L 15.5mm thread ø M10mm bearing slide bearing wheel body polypropylene tread TPE tyres H 161mm wheel width 32mm -20 up to +60°C Qty 1 pcs		


<sup>1</sup>with swivel brake


TENTE			
with fixing plate			
chrome-plated steel			
			
1			
<b>GEV No.</b>	700257	<b>Ref. No.</b>	144053
<b>description</b>	fixed castor ø 125mm plate fixing housing chrome-plated steel plate size 77x67mm hole distance 56x46mm capacity 100kg bearing slide bearing wheel body polypropylene tread TPE tyres H 160mm wheel width 32mm -20 up to +60°C Qty 1 pcs		

			
1			
<b>GEV No.</b>	700256 <sup>1</sup>	<b>Ref. No.</b>	144056
<b>description</b>	swivel castor with swivel brake ø 125mm plates fixing 95x70mm housing zinc-plated sheet steel plate size 95x70mm hole distance 61x51mm capacity 100kg bearing slide bearing wheel body polypropylene tread TPE tyres H 160mm wheel width 32mm -20 up to +60°C Qty 1 pcs		

<sup>1</sup>with swivel brake

			
1			
<b>GEV No.</b>	700269	<b>Ref. No.</b>	145136
<b>description</b>	fixed castor with pneumatic tyres ø 200mm plate fixing housing chrome-plated sheet steel plate size 137x105mm hole distance 105x80mm capacity 75kg bearing roller bearing wheel body polypropylene tread 40 H 235mm wheel width 50mm Qty 1 pcs		

			
1			
<b>GEV No.</b>	700267	<b>Ref. No.</b>	145134
<b>description</b>	swivel castor with pneumatic tyres ø 200mm plate fixing housing chrome-plated sheet steel plate size 137x105mm hole distance 105x80mm capacity 75kg bearing roller bearing wheel body polypropylene tread 40 H 235mm wheel width 50mm Qty 1 pcs		

<b>stainless steel</b>			
			
1			
<b>GEV No.</b>	700264 <sup>1</sup>	<b>Ref. No.</b>	145056
<b>description</b>	swivel castor ø 125mm plate fixing housing stainless steel plate size 77x67mm hole distance 61.5x51.5mm capacity 100kg bearing slide bearing wheel body polypropylene tread TPE tyres H 160mm wheel width 32mm -20 up to +60°C Qty 1 pcs		

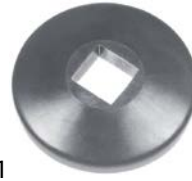
<sup>1</sup>hole distance 56x46.5 - 61.5x51

			
1			
<b>GEV No.</b>	700265 <sup>1,2</sup>	<b>Ref. No.</b>	145057
<b>description</b>	swivel castor ø 125mm plate fixing housing stainless steel plate size 77x67mm hole distance 61.5x51.5mm capacity 100kg bearing slide bearing wheel body polypropylene tread TPE tyres H 160mm wheel width 32mm -20 up to +60°C Qty 1 pcs		

<sup>1</sup>with swivel brake <sup>2</sup>hole distance 56x46.5 - 61.5x51

**miscellaneous**

**bumper wheels**

			
1			
<b>GEV No.</b>	690899	<b>Ref. No.</b>	00373605 146822
<b>description</b>	bumper wheel ED ø 100mm ID ø 25x25mm H 24mm PVC grey		

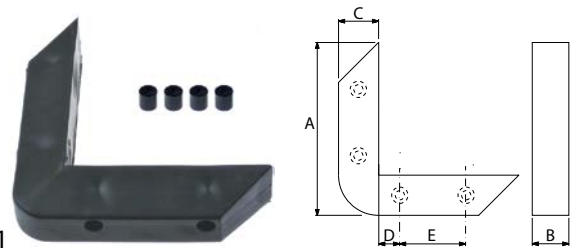

**accessories**

**sleeves**

**for square pipes**


			
1			
<b>GEV No.</b>	700250	<b>Ref. No.</b>	144143
<b>description</b>	sleeve suitable for square pipes metal external size 22x22mm		

**bumper angles**


			
1			
<b>GEV No.</b>	690933 <sup>1</sup>	<b>Ref. No.</b>	144651
<b>description</b>	bumper angle outer length 150mm inner length 120mm W 30mm H 35mm mounting distance 64mm hole distance 18mm hole ø 7mm plastic black		
<b>accessories for</b>	690933		
			
<b>GEV No.</b>	690934	<b>Ref. No.</b>	146829 146839
<b>description</b>	plug for bumper angle ø 11mm L 12mm black Qty 1 pcs		

<sup>1</sup>suitable plug 690934





<b>GEV No.</b>	690378 <sup>1</sup>	<b>Ref. No.</b>	145429 376812
<b>description</b>	bumper angle outer length 165mm inner length 130mm W 40mm H 30mm mounting distance 50/63mm hole distance 19/32mm hole ø 7mm plastic black		
<b>accessories for</b>	690378		
	<b>GEV No.</b>	690902	<b>Ref. No.</b> 146223
	plug for bumper angle ø 10mm L 8mm grey Qty 1 pcs		

<sup>1</sup>suitable plug 690902


<b>GEV No.</b>	690908 <sup>1</sup>	<b>Ref. No.</b>	127640
<b>description</b>	bumper angle outer length 180mm inner length 150mm W 30.5mm H 30mm mounting distance 80mm hole distance 27mm hole ø 5mm plastic black		
<b>accessories for</b>	690908		
	<b>GEV No.</b>	690896	<b>Ref. No.</b> —
	plug for bumper angle ø 10mm L 11mm black Qty 16 pcs		

<sup>1</sup>suitable plug 690896


<b>GEV No.</b>	690898	<b>Ref. No.</b>	362453
<b>description</b>	bumper angle outer length 174mm inner length 133mm W 40mm H 30mm mounting distance 18mm hole distance 64mm hole ø 5mm plastic blue stuff		
<b>accessories for</b>	690898		
	<b>GEV No.</b>	690900	<b>Ref. No.</b> 00362356 362356
	plug for bumper angle ø 11mm L 8mm blue Qty 1 pcs		

<b>GEV No.</b>	692438 <sup>1</sup>	<b>Ref. No.</b>	00362395
<b>description</b>	bumper angle outer length 237mm inner length 168mm W 70mm H 38mm mounting distance 64mm hole distance 20mm hole ø 5mm plastic blue		
<b>accessories for</b>	692438		
	<b>GEV No.</b>	690900	<b>Ref. No.</b> 00362356 362356
	plug for bumper angle ø 11mm L 8mm blue Qty 1 pcs		

<sup>1</sup>suitable plug 690900

<b>GEV No.</b>	690153 <sup>1</sup>	<b>Ref. No.</b>	146220
<b>description</b>	bumper angle outer length 175mm inner length 140mm W 35mm H 30mm mounting distance 50mm hole distance 37mm hole ø 7mm plastic black		
<b>accessories for</b>	690153		
	<b>GEV No.</b>	690902	<b>Ref. No.</b> 146223
	plug for bumper angle ø 10mm L 8mm grey Qty 1 pcs		

<sup>1</sup>suitable plug 690902

<b>GEV No.</b>	690924 <sup>1</sup>	<b>Ref. No.</b>	146908
<b>description</b>	bumper angle outer length 237mm inner length 168mm W 70mm H 38mm mounting distance 64mm hole distance 20mm hole ø 5mm plastic grey		
<b>accessories for</b>	690924		
	<b>GEV No.</b>	690902	<b>Ref. No.</b> 146223
	plug for bumper angle ø 10mm L 8mm grey Qty 1 pcs		

<sup>1</sup>suitable plug 690902

<b>GEV No.</b>	690902	<b>Ref. No.</b>	146223
<b>description</b>	plug for bumper angle ø 10mm L 8mm grey Qty 1 pcs		



<b>GEV No.</b>	690934	<b>Ref. No.</b>	146829 146839
<b>description</b>	plug for bumper angle ø 11mm L 12mm black Qty 1 pcs		



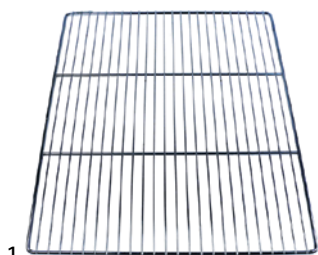
<b>GEV No.</b>	690900	<b>Ref. No.</b>	00362356
<b>description</b>	plug for bumper angle ø 11mm L 8mm blue Qty 1 pcs		

## shelves and shelf rails

### grates

#### universal

#### without upstand



<b>GEV No.</b>	970123	<b>Ref. No.</b>	550266
<b>description</b>	grate W 650mm D 530mm GN 2/1 stainless steel wire gauge frame 7.8mm lengthwise wires gauge 3.8mm crossing wires 2 suitable for refrigerator		

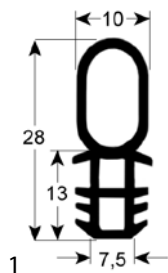
#### accessories for

	<b>GEV No.</b>	690330	<b>Ref. No.</b>	—
	rack L 1000mm W 22mm H 4mm aperture 3x8mm hole distance 12.5mm stainless steel			
	<b>GEV No.</b>	694700	<b>Ref. No.</b>	—
	shelf support L 31/28mm W 22mm H 18mm SS Qty 12 pcs			
	<b>GEV No.</b>	694701	<b>Ref. No.</b>	—
	shelf support L 31/28mm W 22mm H 17mm SS with hook Qty 12 pcs			

## gaskets

### gaskets for heated units

#### door seals



<b>GEV No.</b>	902155	<b>Ref. No.</b>	00366567
<b>description</b>	door seal profile 2995 W 373mm L 922mm outer plug size		

### sealing washers

#### fibre gaskets



<b>GEV No.</b>	506072	<b>Ref. No.</b>	144017
<b>description</b>	flat gasket fibre ED ø 38mm ID ø 27mm thickness 2mm outflow for thread 1¼" Qty 1 pcs		

### special gaskets

#### miscellaneous



<b>GEV No.</b>	550911	<b>Ref. No.</b>	267063
<b>description</b>	gasket for controllers/switches		



<b>GEV No.</b>	690907	<b>Ref. No.</b>	146203
<b>description</b>	gasket suitable for BLANCO equiv. no. 0146203 L 1000mm		

## springs


### compression springs




<b>GEV No.</b>	690909	<b>Ref. No.</b>	147251
<b>description</b>	compression spring ø 9mm L 36mm wire gauge ø 1.1mm		



tension springs

1 

<b>GEV No.</b>	690151	<b>Ref. No.</b>	00146304
<b>description</b>	tension spring ø 12.9mm total length 147mm wire gauge ø 1.1mm		

1 

<b>GEV No.</b>	690150	<b>Ref. No.</b>	00146305
<b>description</b>	tension spring ø 19.4mm total length 148mm wire gauge ø 1.6mm		

1 

<b>GEV No.</b>	690152	<b>Ref. No.</b>	146302 146303
<b>description</b>	tension spring ø 26.1mm total length 150mm wire gauge ø 2.1mm		


kitchen accessories

gastronorm


GN containers

SS 18/10 - standard


1 

<b>GEV No.</b>	993018	<b>Ref. No.</b>	01550590	
<b>description</b>	GN container SS 18/10 size GN 1/1 D 100mm			
<b>accessories for</b>	993018			
	<b>GEV No.</b>	993074	<b>Ref. No.</b>	—
	lid SS 18/10 size GN 1/1 for GN container Dmm			

1 

<b>GEV No.</b>	993020	<b>Ref. No.</b>	01550064	
<b>description</b>	GN container SS 18/10 size GN 1/1 D 40mm			
<b>accessories for</b>	993020			
	<b>GEV No.</b>	993074	<b>Ref. No.</b>	—
	lid SS 18/10 size GN 1/1 for GN container Dmm			

1 

<b>GEV No.</b>	993019	<b>Ref. No.</b>	1565845	
<b>description</b>	GN container SS 18/10 size GN 1/1 D 55mm			
<b>accessories for</b>	993019			
	<b>GEV No.</b>	993074	<b>Ref. No.</b>	—
	lid SS 18/10 size GN 1/1 for GN container Dmm			

valves and tank inlets

ball valves

universal

ball valves with lever handle


1 

<b>GEV No.</b>	520280	<b>Ref. No.</b>	139861 98215
<b>description</b>	ball valve connection 1/2" IT - 1/2" IT DN15 total length 50mm with lever handle handle length 85mm		

fastening material

screws

sheet metal screws

1 

<b>GEV No.</b>	560467	<b>Ref. No.</b>	00070715
<b>description</b>	side bolts ø 5mm L 35mm stainless steel Qty 1 pcs intake Phillips		

flat-headed bolts

1 

<b>GEV No.</b>	560228	<b>Ref. No.</b>	081368
<b>description</b>	flat-headed bolt thread M5 thread L 20mm SS DIN 7985/ISO 7045 Qty 1 pcs intake Phillips head ø 10mm head thickness 2mm		

## hexagonal screws



1

<b>GEV No.</b>	560083	<b>Ref. No.</b>	81166
<b>description</b>	hexagonal screw thread M5 thread L 10mm SS WS 8 Qty 20 pcs DIN 933 / ISO 4017		

## nuts

## plate nuts



1

<b>GEV No.</b>	690997	<b>Ref. No.</b>	83589
<b>description</b>	plate nut hole $\varnothing$ 3.5mm L 20mm W 13mm $\varnothing$ mm		



<b>B</b>		<b>R</b>	
ball valves	23	radiation heaters	5
bi-metal thermostats	5, 5	rocker/momentary rocker switches	8
<b>C</b>		<b>S</b>	
cables	13	safety bi-metal thermostats	5
castors and bumper angles	18	screws	23
control thermostats	6	sealing washers	22
<b>D</b>		sheet metal screws	23
door seals	22	shelves and shelf rails	22
<b>E</b>		snap locks	18
electric accessories	13	spiral cables	13
electronic controllers	9	switches and momentary switches	8
<b>F</b>		<b>T</b>	
fans	12	temperature probes	10
fastening material	23	thermostats	5
flat-headed bolts	23	transformers	9
<b>G</b>		<b>U</b>	
gaskets for heated units	22	universal probes	10
gastronorm	23	<b>V</b>	
grates	22	valves and tank inlets	23
<b>H</b>			
heating elements	3, 3		
heating elements for bain maries	3		
heating elements for convection	5		
heating elements for heated trolleys	3		
heating elements for plate warmers	3		
heating elements for transport containers	3		
hexagonal screws	24		
hot air fans	12		
<b>I</b>			
immersion heating elements	5		
indicator lights	9		
indicator lights (complete)	9		
<b>L</b>			
lamps	9		
<b>N</b>			
nuts	24		
<b>P</b>			
plate nuts	24		
power supply cables	13		
probes	10		
push/momentary push switches	8		