



GAS COMPONENTS



ELECTRIC COMPONENTS



WATER TECHNOLOGY



MECHANICAL COMPONENTS



TOOLS

Spare parts suitable for

DITOSAMA

Find the complete and up-to-date range of products in our GEV Webshop



Manufacturer catalogue

The most important spare parts and accessories arranged clearly for every manufacturer

- ✓ Complete product range and all appliance data always up to date in the GEV Webshop
- ✓ Alphabetical Index at the end of the catalogue

GEV Webshop

www.gev-online.co.uk

www.gev-online.com



- 🔍 Add to Favourites
- 🔍 Sign In with email address and usual password
- 🔍 Easy-order – place several items in your basket at the same time
- 🔍 Quick Item search – no login needed



equipment-specific units

for vegetable slicers

ejector discs



1

GEV No.	699131	Ref. No.	4277
description	ejector disc H 15mm ø 190mm seat ø 23/28mm		



1

GEV No.	699111	Ref. No.	20-9209
description	ejector disc H 30mm ø 179mm shaft diameter 14x11mm		

plungers



1

GEV No.	699399	Ref. No.	4255
description	plunger L 175mm plastic		

for potato peelers

lids



1

GEV No.	696727	Ref. No.	18116
description	lid ø 310mm ID ø 275mm H 60mm mounting distance 90mm plastic		

for planetary mixers

miscellaneous



1

GEV No.	699257	Ref. No.	24679 24748
description	cotter pin set ø 8mm L 34mm		

for hand blenders

spare parts and accessories



1

GEV No.	651048	Ref. No.	15906
description	coupling D1 ø 16mm L 33mm Qty 5 pcs int. ø 1 7.4mm		

blender sticks

spindles

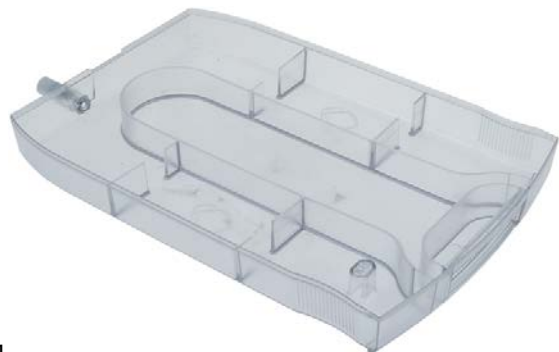


1

GEV No.	698358	Ref. No.	0D3022
description	spindle assembled D1 ø 13.8mm L 320mm aluminium		

for convection ovens/combi-steamers

miscellaneous



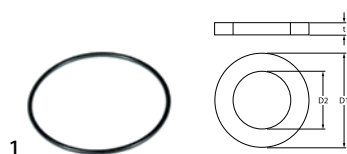
1

GEV No.	696399	Ref. No.	OKB722
description	water container for combi-steamer L 400mm plastic W 238mm		

gaskets

O-rings

EPDM



GEV No. 502203 **Ref. No.** OKQ652

description O-ring EPDM thickness 3mm ID ø 51mm Qty 1 pcs

foam rubber gaskets



GEV No. 901678 **Ref. No.** 1179
12111
23534

description foam rubber gasket Qty 1200mm incl. adhesive for lid

special gaskets

miscellaneous



GEV No. 901678 **Ref. No.** 1179
12111
23534

description foam rubber gasket Qty 1200mm incl. adhesive for lid

transmission technology and ball bearings

ball bearings

deep-groove ball bearings 2RS



GEV No. 523528 **Ref. No.** 0HD046

description deep-groove ball bearing type 6007-2RS shaft ø 35mm ED ø 62mm W 14mm with sealing discs deep-groove ball bearing DIN 625-1



GEV No. 523511 **Ref. No.** 3041

description deep-groove ball bearing type 6203-2RS shaft ø 17mm ED ø 40mm W 12mm with sealing discs deep-groove ball bearing DIN 625-1



GEV No. 523513 **Ref. No.** 3043

description deep-groove ball bearing type 6205-2RS shaft ø 25mm ED ø 52mm W 15mm with sealing discs deep-groove ball bearing DIN 625-1



GEV No. 523516 **Ref. No.** 3047

description deep-groove ball bearing type 6303-2RS shaft ø 17mm ED ø 47mm W 14mm with sealing discs deep-groove ball bearing DIN 625-1

drive belts

toothed belts



GEV No. 692780 **Ref. No.** 3013

description toothed belt profile 150XL075 L 380mm belt width 19mm teeth 75



GEV No. 698653 **Ref. No.** 4668

description toothed belt profile V L 1000mm CODE 4668 W 31.5mm

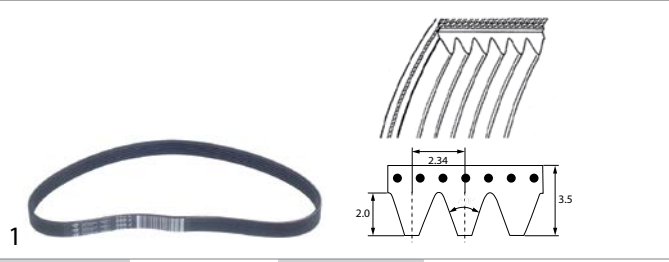


GEV No. 698408 **Ref. No.** 3024

description V-belt profile V L 875mm H 13mm teeth 121 splitting 4-3 rubber with textile insertion CODE 3024R W 39mm 414NV



poly-v belts



GEV No.	698409	Ref. No.	3020
description	poly-v belt grooves 6 W 14mm L 559mm profile J		

springs

gas tension springs

gas tension springs



GEV No.	692685	Ref. No.	FM640011
description	gas tension spring 150N hub 100mm D1 ø 6mm D2 ø 15mm hole distance 260mm hole ø 6mm L 275mm		

F

foam rubber gaskets 4

O

O-rings 4