



GAS COMPONENTS



ELECTRIC COMPONENTS



WATER TECHNOLOGY



MECHANICAL COMPONENTS



TOOLS

Spare parts suitable for

ESPRESSA

Find the complete and up-to-date range of products in our GEV Webshop



Manufacturer catalogue

The most important spare parts and accessories arranged clearly for every manufacturer

- ✓ Complete product range and all appliance data always up to date in the GEV Webshop
- ✓ Alphabetical Index at the end of the catalogue

GEV Webshop

www.gev-online.co.uk

www.gev-online.com



- 🔍 Add to Favourites
- 🔍 Sign In with email address and usual password
- 🔍 Easy-order – place several items in your basket at the same time
- 🔍 Quick Item search – no login needed

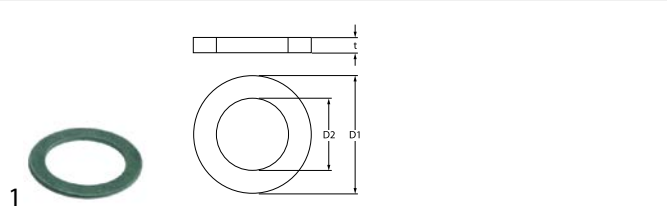


heating elements

accessories

sealing washers

fibre gaskets



GEV No.	528001	Ref. No.	N/A
description	flat gasket fibre ED ϕ 56.5mm ID ϕ 41.8mm thickness 3.2mm Qty 1 pcs		

equipment-specific units

for espresso machines

level glasses


level glasses

gaskets




GEV No.	529408	Ref. No.	12200
description	gasket D1 ϕ 16mm D2 ϕ 10mm H 8mm water level glass		

balls



GEV No.	529355	Ref. No.	15300
description	ball ϕ 6mm plastic for level glass		

level glass pipes

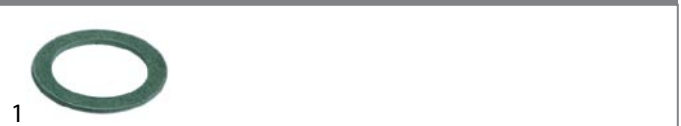


GEV No.	531177	Ref. No.	21300
description	water level tube ϕ 11mm H 170mm ID ϕ 8mm		

gaskets

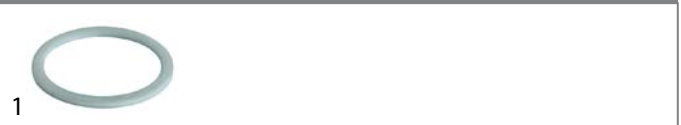
sealing washers

fibre gaskets



GEV No.	528001	Ref. No.	N/A
description	flat gasket fibre ED ϕ 56.5mm ID ϕ 41.8mm thickness 3.2mm Qty 1 pcs		

PTFE gaskets



GEV No.	528524	Ref. No.	N/A
description	flat gasket PTFE ED ϕ 36.5mm ID ϕ 30.5mm thickness 2mm Qty 1 pcs		

special gaskets

group gaskets




GEV No.	528138	Ref. No.	N/A
description	group gasket L 79mm W 71mm thickness 2mm hole distance 55mm suitable for ESPRESSA		

fastening material

washers

washers

miscellaneous



GEV No.	529862	Ref. No.	25652
description	flat washer ID ϕ 12.3mm ED ϕ 18mm thickness 1mm brass Qty 1 pcs		

F

fastening material 3

H

heating elements 3

S

sealing washers 3

W

washers 3