



GAS COMPONENTS



ELECTRIC COMPONENTS



WATER TECHNOLOGY



MECHANICAL COMPONENTS



TOOLS

Spare parts suitable for

FAMA

Find the complete and up-to-date range of products in our GEV Webshop



Manufacturer catalogue

The most important spare parts and accessories arranged clearly for every manufacturer

- ✓ Complete product range and all appliance data always up to date in the GEV Webshop
- ✓ Alphabetical Index at the end of the catalogue

GEV Webshop

www.gev-online.co.uk

www.gev-online.com



- 🔍 Add to Favourites
- 🔍 Sign In with email address and usual password
- 🔍 Easy-order – place several items in your basket at the same time
- 🔍 Quick Item search – no login needed

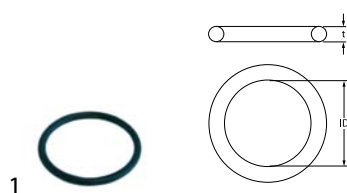


heating elements

accessories

sealing washers

O-rings






GEV No.	510409	Ref. No.	F2680
description	O-ring EPDM thickness 5.34mm ID ø 56.52mm Qty 1 pcs		

switches and momentary switches


push/momentary push switches

ø22mm



GEV No.	401357	Ref. No.	F2138
description	momentary push switch mounting measurements ø22mm 1NO/1NC/indicator light 400V 4A indicator lamp 24V 0-1 connection screw ambient temperature max. 125/55°C protection IP40		
spare parts for	401357		
	GEV No.	346181	Ref. No. —
	push button mounting ø 21mm external size 30x55mm oval		
accessories for	401357		
	GEV No.	401709	Ref. No. —
	protective cover external size 57x32mm internal size 47x22mm matt finish rubber H 27.5mm		


overload switches



GEV No.	348137	Ref. No.	F2231M
description	momentary push switch KLD-28A mounting measurements 45x22mm green/red 2NO/A1 250V 16A I O connection male faston 2.8mm/6.3mm ambient temperature max. 85°C protection IP55 with cover cap		

microswitches

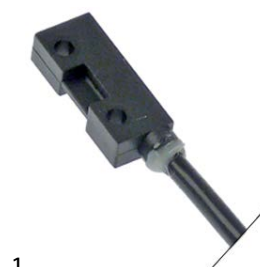
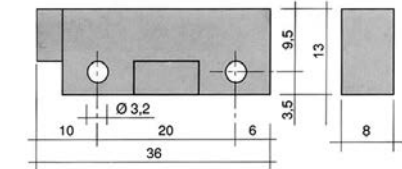
accessories




GEV No.	346395	Ref. No.	F2163
description	cover for microswitch L 80mm W 60mm H 70mm		

magnetic switches

36x13mm





GEV No.	345118 ¹	Ref. No.	F2066 FM0053
description	magnetic switch L 36mm W 13mm 1NO 250V 1A P max. 50W connection cable length 980mm		
accessories for	345118		
	GEV No.	345399	Ref. No. —
	magnet ø 3.3mm L 40mm H 8mm W 13mm hole distance 30mm M3		


¹with coded connector

accessories

magnets





GEV No.	346392	Ref. No.	F2063
description	magnet		





GEV No.	346393	Ref. No.	F2064
description	magnet		




			
1			
GEV No.	347968	Ref. No.	F2925
description	magnet ø 6mm L 20mm Hmm Wmm mounting ø 6mm		

			
1			
GEV No.	346892	Ref. No.	F2063+F2064
description	magnet with holder ø 22mm W 20mm hole ø 8mm		

			
1			
GEV No.	403688	Ref. No.	F2140
description	PCB meat mincer/cheese grater T12 230V		




			
1			
GEV No.	401360	Ref. No.	F2141
description	PCB Mod.12 400V		

			
1			
GEV No.	401358	Ref. No.	F2027
description	PCB Mod.8 230V		

control equipment


GIOVENZANA

switches (complete)

			
1			
GEV No.	401357	Ref. No.	F2138
description	momentary push switch mounting measurements ø22mm 1NO/1NC/indicator light 400V 4A indicator lamp 24V 0-I connection screw ambient temperature max. 125/55°C protection IP40		
spare parts for	401357		
	GEV No.	346181	Ref. No. —
	push button mounting ø 21mm external size 30x55mm oval		
accessories for	401357		
	GEV No.	401709	Ref. No. —
	protective cover external size 57x32mm internal size 47x22mm matt finish rubber H 27.5mm		


electronics

PCBs


			
1			
GEV No.	403027	Ref. No.	FCU179
description	PCB 230/400V		

keypads

membrane keypads

			
1			
GEV No.	401356	Ref. No.	F2033
description	membrane keypad		

keypad units

			
1			
GEV No.	401356	Ref. No.	F2033
description	membrane keypad		





motors

motors


for meat mincers


rotors


			
1			
GEV No.	500726	Ref. No.	F2095 F2095+F2096
description	rotor 230V ø 89.2mm shaft ø 25mm shaft length 357mm Mod.12 meat mincer/cheese grater		


			
1			
GEV No.	500725	Ref. No.	F2202 F2202+F2233
description	rotor 400V ø 89.2mm shaft ø 25mm shaft length 357mm Mod.22 meat mincer/cheese grater		


stators


 <p>Image not available</p>			
1			
GEV No.	500826	Ref. No.	F2008
description	stator		

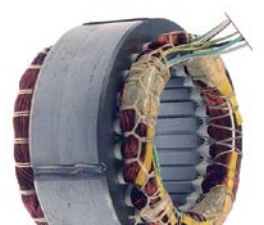
 <p>Image not available</p>			
1			
GEV No.	500824	Ref. No.	F2076
description	stator 230V		

			
1			
GEV No.	500825	Ref. No.	F2077
description	stator 230V 50Hz 4-pole 1400rpm 1 phase ø 110mm ID ø 66mm H 60mm with temperature protection Mod.8		


			
1			
GEV No.	500828	Ref. No.	F2096
description	stator 230V 50Hz 4-pole 1400rpm 1 phase ø 150mm ID ø 90mm H 70mm with temperature protection Mod.12		

			
1			
GEV No.	500827	Ref. No.	F2009
description	stator 230V 50Hz 4-pole 1400rpm 3 phase ø 110mm ID ø 62mm H 75mm with temperature protection Mod.8		

			
1			
GEV No.	500830	Ref. No.	F2203
description	stator 230V 50Hz 6-pole 900rpm 1 phase ø 150mm ID ø 103mm H 90mm with temperature protection Mod.22		

			
1			
GEV No.	500829	Ref. No.	F2097
description	stator 400V 50Hz 4-pole 1400rpm 3 phase ø 150mm ID ø 83.6mm H 50mm with temperature protection Mod.12		




			
1			
GEV No.	500831	Ref. No.	F2204
description	stator 400V 50Hz 6-pole 900rpm 3 phase ø 150mm ID ø 90mm H 70mm with temperature protection Mod.22		


condensators & interference suppression filters

operating capacitors

plastic

			
1			
GEV No.	365014	Ref. No.	F2028
description	operating capacitor capacity 12.5µF 450V tolerance 5%Hz ambient temperature max. -25 to +85°C ø 35mm L 70mm M8 plastic connection male faston 6.3mm 45S.C3DS.12.5 protection		

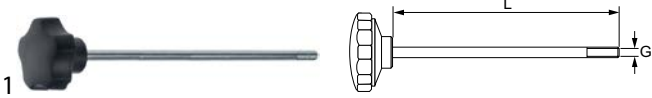
			
1			
GEV No.	365021	Ref. No.	F2144
description	operating capacitor capacity 16µF 425V tolerance 5% 50/60Hz ambient temperature max. -25 to +85°C ø 35mm L 73mm single M8 plastic connection male faston 6.3mm 416.10.99 protection		

			
1			
GEV No.	365019	Ref. No.	F2223
description	operating capacitor capacity 20µF 400V tolerance 5% 50/60Hz ambient temperature max. -25 to +85°C ø 39.5mm L 70mm M8 plastic connection male faston 6.3mm 16.10.25. protection		

equipment-specific units


for slicers

locking screws

			
1			
GEV No.	698265	Ref. No.	N/A
description	locking screw thread M6 L 168mm ø 6mm handle ø 40mm 220/250		

food holders

handles

			
1			
GEV No.	111123	Ref. No.	FA30G057
description	handle thread M10 IT ø 30mm L 110mm D1 ø 65mm		


grindstones


grindstones cup form

			
1			
GEV No.	697606	Ref. No.	FA35G034.15
description	grindstone ø 51mm thickness 12mm bore ø 8mm grained coarse without bevel		


for meat mincers


gear wheels

			
1			
GEV No.	698028	Ref. No.	F2106
description	gear wheel double ø 32/70mm shaft intake ø 15mm W 30mm teeth 18/41 splitting tooth width 14/11mm DIN/ISO Mod.12-22		

			
1			
GEV No.	698027	Ref. No.	F2104
description	gear wheel ø 25mm shaft intake ø 10mm teeth 13 splitting tooth width 20mm DIN/ISO Mod.12-22		





			
1			
GEV No.	698019	Ref. No.	F2020
description	gear wheel ø 34mm shaft intake ø 15mm teeth 19 splitting tooth width 19mm DIN/ISO Mod.8		


			
1			
GEV No.	698029	Ref. No.	F2107
description	gear wheel ø 64mm shaft intake ø 16mm teeth 39 splitting tooth width 13mm DIN/ISO Mod.12-22		


drive shafts


for blades


			
1			
GEV No.	698038	Ref. No.	F2127
description	drive shaft ENTERPRISE model 12 ø 9.5mm L 53mm thread M12x1.75 D1 ø 20mm thread L 20mm		

			
1			
GEV No.	698056	Ref. No.	F2217
description	drive shaft ENTERPRISE model 22 ø 11mm L 53mm thread M12x1.75 D1 ø 22mm thread L 18mm		


			
1			
GEV No.	698023	Ref. No.	F2043
description	drive shaft ENTERPRISE model 8 ø 8.5mm L 37mm stainless steel thread M10x1.5 thread L 15mm		


			
1			
GEV No.	698045	Ref. No.	F2128
description	drive shaft model 12		

			
1			
GEV No.	698046	Ref. No.	F2129
description	drive shaft Unger model 12 ø 11.3mm L 43mm stainless steel thread M12x1.75 D1 ø 20mm thread L 20mm		

			
1			
GEV No.	698066	Ref. No.	F2243 F2252
description	drive shaft Unger model 22 ø 12/15mm L 80mm stainless steel thread M12x1.75		

for augers

			
1			
GEV No.	698031	Ref. No.	F2109
description	drive shaft model 12-22 ø 17mm L 78mm D1 ø 25mm shaft diameter 10x23mm		

			
1			
GEV No.	698020	Ref. No.	F2022
description	drive shaft model 8 ø 15mm L 124mm D1 ø 20mm shaft diameter 10x19mm		

			
1			
GEV No.	698030	Ref. No.	F2102
description	spindle ø 15mm L 31mm Mod.12-22 thread M14x1.5 total length 46mm		

locking screws

locking levers

			
1			
GEV No.	698093	Ref. No.	F2189
description	locking lever thread M10 ø 28mm lever length 70mm thread L 30mm plastic total length 77mm		

locking screws



1

GEV No.	698092	Ref. No.	F2115
description	locking screw thread M10 thread L 30mm handle ø 60mm plastic		



1

GEV No.	698091	Ref. No.	F2040
description	locking screw thread M8 thread L 25mm handle ø 40mm		

lids



1

GEV No.	698017	Ref. No.	F2152
description	lid model 12-22 ø 100mm plastic mounting distance 85mm		
accessories for	698017		
	GEV No.	Ref. No.	—
	699592		
	plug for lid ø 75mm plastic for meat mincer/cheese grater		



1

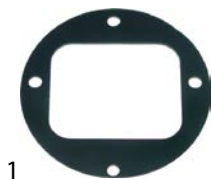
GEV No.	698010	Ref. No.	F2002
description	lid model 8 ø 78mm plastic mounting distance 70mm		

gaskets



1

GEV No.	698026	Ref. No.	F2206
description	gasket for gearbox for model 22 ø 132mm mounting distance 120mm rubber thickness 1mm		



1

GEV No.	698018	Ref. No.	F2012
description	gasket for gearbox for model 8 ø 110mm mounting distance 94x97mm rubber thickness 2mm		



1

GEV No.	698253	Ref. No.	F2014M
description	lid for gearbox ø 35mm thickness 7mm		

funnel trays



1

GEV No.	698077	Ref. No.	F2038 F2113 F2113 ø52mm
description	hopper filling pipe central L 275mm W 200mm H 50mm tube ø 52mm		



1

GEV No.	698201	Ref. No.	F2038 ø56mm
description	hopper filling pipe central L 275mm W 200mm H 60mm tube ø 56mm		



1

GEV No.	698241	Ref. No.	F2038 ø56mm F2113 ø56mm
description	hopper filling pipe central L 275mm W 200mm H 60mm tube ø 56mm		




1


GEV No.	698076	Ref. No.	F2207 ø52mm
description	hopper filling pipe central L 370mm W 250mm H 60mm tube ø 52mm		



1


GEV No.	698208	Ref. No.	F2207 ø56mm
description	hopper filling pipe central L 370mm W 250mm H 60mm tube ø 56mm		

funnels




1

GEV No.	698085	Ref. No.	F2149
description	funnel model 12 ø 15mm		




1

GEV No.	698086	Ref. No.	F2150
description	funnel model 12 ø 20mm ED ø 65mm L 135mm		




1

GEV No.	698087	Ref. No.	F2151
description	funnel model 12 ø 25mm		




1

GEV No.	698088	Ref. No.	F2224
description	funnel model 22 ø 15mm		




1

GEV No.	698089	Ref. No.	F2225
description	funnel model 22 ø 20mm		




1


GEV No.	698090	Ref. No.	F2226
description	funnel model 22 ø 25mm		



1

GEV No.	698082	Ref. No.	F2050
description	funnel model 8 ø 15mm		

			
1			
GEV No.	698083	Ref. No.	F2051
description	funnel model 8 ø 20mm		

			
1			
GEV No.	698084	Ref. No.	F0163 F0163-8+F2939
description	funnel model 8 set with ø15mm / ø20mm / ø25mm		

grinder plates

ENTERPRISE

with 1 notch

with hub

			
1			
GEV No.	696117	Ref. No.	F2131/10
description	grinder plate type ENTERPRISE size 12 hole ø 10mm with hub grooves 1 stainless steel ø 70mm		

			
1			
GEV No.	696118	Ref. No.	F2131/12
description	grinder plate type ENTERPRISE size 12 hole ø 12mm with hub grooves 1 stainless steel ø 70mm		

			
1			
GEV No.	696119	Ref. No.	F2131/14
description	grinder plate type ENTERPRISE size 12 hole ø 14mm with hub grooves 1 stainless steel ø 70mm		

			
1			
GEV No.	696120	Ref. No.	F2131/16
description	grinder plate type ENTERPRISE size 12 hole ø 16mm with hub grooves 1 stainless steel ø 70mm		

			
1			
GEV No.	696121	Ref. No.	F2131/18
description	grinder plate type ENTERPRISE size 12 hole ø 18mm with hub grooves 1 stainless steel ø 70mm		

			
1			
GEV No.	696130	Ref. No.	F2219/10
description	grinder plate type ENTERPRISE size 22 hole ø 10mm with hub grooves 1 stainless steel ø 82mm		




1

GEV No.	696131	Ref. No.	F2219/12
description	grinder plate type ENTERPRISE size 22 hole ø 12mm with hub grooves 1 stainless steel ø 82mm		



1

GEV No.	696135	Ref. No.	F2219/20
description	grinder plate type ENTERPRISE size 22 hole ø 20mm with hub grooves 1 stainless steel ø 82mm		



1

GEV No.	696132	Ref. No.	F2219/14
description	grinder plate type ENTERPRISE size 22 hole ø 14mm with hub grooves 1 stainless steel ø 82mm		



1

GEV No.	696106	Ref. No.	F2045/10
description	grinder plate type ENTERPRISE size 8 hole ø 10mm with hub grooves 1 stainless steel ø 62mm		



1

GEV No.	696133	Ref. No.	F2219/16
description	grinder plate type ENTERPRISE size 22 hole ø 16mm with hub grooves 1 stainless steel ø 82mm		



1

GEV No.	696107	Ref. No.	F2045/12
description	grinder plate type ENTERPRISE size 8 hole ø 12mm with hub grooves 1 stainless steel ø 62mm		



1

GEV No.	696134	Ref. No.	F2219/18
description	grinder plate type ENTERPRISE size 22 hole ø 18mm with hub grooves 1 stainless steel ø 82mm		



1

GEV No.	696108	Ref. No.	F2045/14
description	grinder plate type ENTERPRISE size 8 hole ø 14mm with hub grooves 1 stainless steel ø 62mm		



1

GEV No.	696109	Ref. No.	F2045/16
description	grinder plate type ENTERPRISE size 8 hole ø 16mm with hub grooves 1 stainless steel ø 62mm		

with 2 notches

flat



1

GEV No.	698299	Ref. No.	F0406 F2131/2mm 2 spinette
description	grinder plate type ENTERPRISE size 12 hole ø 2mm flat grooves 2 stainless steel ø 70mm		



1

GEV No.	698300	Ref. No.	F0408 F2131/3,5mm/2 spinette
description	grinder plate type ENTERPRISE size 12 hole ø 3.5mm flat grooves 2 stainless steel ø 70mm		



1

GEV No.	698301	Ref. No.	F2131/4,5mm/2 Spinette
description	grinder plate type ENTERPRISE size 12 hole ø 4.5mm flat grooves 2 stainless steel ø 70mm		



1

GEV No.	698295	Ref. No.	F2131 F2131 / 6mm / 2 spinette F3136
description	grinder plate type ENTERPRISE size 12 hole ø 6mm flat grooves 2 stainless steel ø 70mm		



1

GEV No.	698302	Ref. No.	F2131/8mm/2 Spinette F3137/8mm/2 Spinette
description	grinder plate type ENTERPRISE size 12 hole ø 8mm flat grooves 2 stainless steel ø 70mm		



1

GEV No.	698351	Ref. No.	F2045M
description	grinder plate type ENTERPRISE size 8 hole ø 6mm flat grooves 2 stainless steel ø 62mm		

with hub



1

GEV No.	696111	Ref. No.	F2131/2
description	grinder plate type ENTERPRISE size 12 hole ø 2mm with hub grooves 2 stainless steel ø 70mm		




1

GEV No.	696113	Ref. No.	F2131/3,5 old
description	grinder plate type ENTERPRISE size 12 hole ø 3.5mm with hub grooves 2 stainless steel ø 70mm		



1

GEV No.	696116	Ref. No.	F2131/8
description	grinder plate type ENTERPRISE size 12 hole ø 8mm with hub grooves 2 stainless steel ø 70mm		




1

GEV No.	696112	Ref. No.	F2131/3
description	grinder plate type ENTERPRISE size 12 hole ø 3mm with hub grooves 2 stainless steel ø 70mm		



1

GEV No.	696124	Ref. No.	F2219/2
description	grinder plate type ENTERPRISE size 22 hole ø 2mm with hub grooves 2 stainless steel ø 82mm		



1

GEV No.	696114	Ref. No.	F2131/4,5
description	grinder plate type ENTERPRISE size 12 hole ø 4.5mm with hub grooves 2 stainless steel ø 70mm		




1

GEV No.	696126	Ref. No.	2219/3,5
description	grinder plate type ENTERPRISE size 22 hole ø 3.5mm with hub grooves 2 stainless steel ø 82mm		




1


GEV No.	696115	Ref. No.	F2131/6
description	grinder plate type ENTERPRISE size 12 hole ø 6mm with hub grooves 2 stainless steel ø 70mm		





1

GEV No.	696125	Ref. No.	F2219/3
description	grinder plate type ENTERPRISE size 22 hole ø 3mm with hub grooves 2 stainless steel ø 82mm		


			
1			
GEV No.	696127	Ref. No.	F2219/4,5
description	grinder plate type ENTERPRISE size 22 hole ø 4.5mm with hub grooves 2 stainless steel ø 82mm		


			
1			
GEV No.	696102	Ref. No.	F2045/3,5
description	grinder plate type ENTERPRISE size 8 hole ø 3.5mm with hub grooves 2 stainless steel ø 62mm		

			
1			
GEV No.	696128	Ref. No.	F2219/6
description	grinder plate type ENTERPRISE size 22 hole ø 5.8mm with hub grooves 2 stainless steel ø 82mm		

			
1			
GEV No.	696101	Ref. No.	F2045/3
description	grinder plate type ENTERPRISE size 8 hole ø 3mm with hub grooves 2 stainless steel ø 62mm		

			
1			
GEV No.	696129	Ref. No.	F2219/8
description	grinder plate type ENTERPRISE size 22 hole ø 8mm with hub grooves 2 stainless steel ø 82mm		

			
1			
GEV No.	696103	Ref. No.	F2045/4,5
description	grinder plate type ENTERPRISE size 8 hole ø 4.5mm with hub grooves 2 stainless steel ø 62mm		

			
1			
GEV No.	696140	Ref. No.	F0502
description	grinder plate type ENTERPRISE size 32 hole ø 4.5mm with hub grooves 2 stainless steel ø 100mm		


			
1			
GEV No.	696104	Ref. No.	F2045/6
description	grinder plate type ENTERPRISE size 8 hole ø 6mm with hub grooves 2 stainless steel ø 62mm		




1


GEV No.	696105	Ref. No.	F2045/8
description	grinder plate type ENTERPRISE size 8 hole ø 8mm with hub grooves 2 stainless steel ø 62mm		

UNGER



1

GEV No.	696161	Ref. No.	F2234
description	grinder plate type Unger size 12 hole ø 6mm flat grooves 1 stainless steel ø 69.6mm		



1

GEV No.	696162	Ref. No.	F2244
description	grinder plate type Unger size 22 hole ø 8mm flat grooves 1 stainless steel ø 81.6mm		


blades

ENTERPRISE




1

GEV No.	696022	Ref. No.	F2130
description	knife type ENTERPRISE size 12 ø 62mm internal size 12x12mm stainless steel		
For models:	FTG 127, TG 12		




1

GEV No.	696023	Ref. No.	F2218
description	knife type ENTERPRISE size 22 ø 73mm internal size 13x13mm stainless steel		
For models:	TC 22 E		



1

GEV No.	696033	Ref. No.	F0503
description	knife type ENTERPRISE size 32 ø 90mm internal size 15x15mm stainless steel		



1

GEV No.	696021	Ref. No.	F2044 F2044M
description	knife type ENTERPRISE size 8 ø 55mm internal size 10x10mm stainless steel		

UNGER

with extendable blades

SALVINOX

blades



1

GEV No.	696024	Ref. No.	F2235	
description	knife type Unger size R-70 (12) ø 62mm stainless steel with blades			
accessories for	696024			
	GEV No.	696025	Ref. No.	F2261
	spare blades type Unger size R-70 (12) stainless steel Qty 9 pcs			

spare blades



1

GEV No.	696025	Ref. No.	F2261
description	spare blades type Unger size R-70 (12) stainless steel Qty 9 pcs		

spacer rings



1

GEV No.	698068	Ref. No.	F2249
description	spacer ring type Unger size H-82 (22) ø 81.5mm H 18mm		



1

GEV No.	698067	Ref. No.	F2259
description	spacer ring type Unger size H-82 (22) ø 81.5mm H 7mm		



1

GEV No.	698047	Ref. No.	F2239
description	spacer ring type Unger size R-70 (12) ø 69.5mm H 15mm		

ring nuts



1

GEV No.	698049	Ref. No.	F2134
description	ring nut Unger model 12 stainless steel		



1

GEV No.	698070	Ref. No.	F2254
description	ring nut Unger model 22 stainless steel thread M94x2		



1

GEV No.	698251	Ref. No.	F2046M
description	ring nut ENTERPRISE model 8 nickel-plated aluminium		



1

GEV No.	698024	Ref. No.	F2046
description	ring nut model 8 aluminium		



1


GEV No.	698040	Ref. No.	F2133
description	ring nut Unger model 12 ED ø 89mm thickness 27mm ID ø 64mm stainless steel thread M82x2		




1

GEV No.	698039	Ref. No.	F2132
description	ring nut Unger model 12 ID ø 78mm aluminium		





			
1			
GEV No.	698057	Ref. No.	F2220
description	ring nut Unger model 22 ID ø 73mm aluminium		


			
1			
GEV No.	698058	Ref. No.	F2221
description	ring nut Unger model 22 ID ø 74mm stainless steel thread M94x2		


augers
complete


			
1			
GEV No.	698037	Ref. No.	F2124 F2124+F2127 F2124PS
description	auger model 12 ø 53mm L 135mm stainless steel with spindle ENTERPRISE		


			
1			
GEV No.	698035	Ref. No.	F2122 F2122+F2127 F2122PS
description	auger model 12 ø 53mm L 140mm aluminium with spindle ENTERPRISE		


			
1			
GEV No.	698043	Ref. No.	F2125 F2125+F2128
description	auger model 12 ø 53mm L 145mm cast iron with spindle Unger		


			
1			
GEV No.	698044	Ref. No.	F2126 F2126+F2129 F2126PU
description	auger model 12 ø 53mm L 145mm stainless steel with spindle Unger		

			
1			
GEV No.	698036	Ref. No.	F2123 F2123+F2127 F2123PS
description	auger model 12 ø 53mm L 150mm cast iron with spindle ENTERPRISE		


			
1			
GEV No.	698053	Ref. No.	F2214 F2214+F2217 F2214PS
description	auger model 22 ø 63mm L 150mm aluminium with spindle ENTERPRISE		


			
1			
GEV No.	698054	Ref. No.	F2215 F2215+F2217 F2215PS
description	auger model 22 ø 63mm L 150mm cast iron with spindle ENTERPRISE		

			
1			
GEV No.	698063	Ref. No.	F2242 F2242+F2243 F2242+F2252 F2242PU
description	auger model 22 ø 63mm L 175mm cast iron with spindle Unger		

			
1			
GEV No.	698055	Ref. No.	F2216 F2216+F2217 F2216PS
description	auger model 22 ø 64mm L 150mm stainless steel with spindle ENTERPRISE		

			
1			
GEV No.	698062	Ref. No.	F2251 F2251+F2252
description	auger model 22 ø 64mm L 175mm stainless steel with spindle Unger		

			
1			
GEV No.	698022	Ref. No.	F2042 F2042+F2043
description	auger model 8 ø 44mm L 115mm stainless steel with spindle ENTERPRISE		

			
1			
GEV No.	698021	Ref. No.	F2041 F2041+F2043 F2041PS
description	auger model 8 ø 45mm L 117mm aluminium with spindle ENTERPRISE		

			
1			
GEV No.	698252	Ref. No.	F2042M+F2043M
description	auger model 8 stainless steel with spindle ENTERPRISE		

augers chambers

outer parts


			
1			
GEV No.	698250	Ref. No.	F2039M
description	auger chamber ENTERPRISE model 8 aluminium		


			
1			
GEV No.	698243	Ref. No.	F2110 ø 52
description	body ENTERPRISE model 12 inlet ø 52mm aluminium		


inner parts

			
1			
GEV No.	698032	Ref. No.	F2117 F2117+F2116
description	auger chamber ENTERPRISE model 12 inlet ø 56mm cast iron		




			
1			
GEV No.	698294	Ref. No.	F2119 F2119 2 spinette
description	auger chamber ENTERPRISE model 12 inlet ø 60mm aluminium		


			
1			
GEV No.	698041	Ref. No.	F2120 F2120+F2116
description	auger chamber Unger model 12 inlet ø 59mm cast iron		


			
1			
GEV No.	698034	Ref. No.	F2118
description	auger chamber ENTERPRISE model 12 inlet ø 61mm stainless steel		



			
1			
GEV No.	698042	Ref. No.	F2121
description	auger chamber Unger model 12 stainless steel		


			
1			
GEV No.	698050	Ref. No.	F2212
description	auger chamber ENTERPRISE model 22 inlet ø 62mm aluminium		


			
1			
GEV No.	698059	Ref. No.	F2240
description	auger chamber Unger model 22 inlet ø 62mm cast iron		

			
1			
GEV No.	698051	Ref. No.	F2210 F2210+F2213
description	auger chamber ENTERPRISE model 22 inlet ø 62mm cast iron		

			
1			
GEV No.	698061	Ref. No.	F2255 F2255 + F2213
description	auger chamber Unger model 22 inlet ø 62mm cast iron for double-bladed knife		

			
1			
GEV No.	698052	Ref. No.	F2211
description	auger chamber ENTERPRISE model 22 inlet ø 62mm stainless steel thread M94x2		
accessories for	698052		
	GEV No.	690058	Ref. No.
			—
	 counter support for off-set 19mm mounting distance 14.25mm W 28mm L 52mm H 50mm type 6000/6004 no. 6000-020701		

			
1			
GEV No.	698060	Ref. No.	F2250
description	auger chamber Unger model 22 stainless steel		

<p>plungers</p> 			
1			
GEV No.	698080	Ref. No.	F2037 F2114 F2208
description	plunger ø 46mm L 120mm total length 240mm plastic hollow		

for cheese graters

lids



1

GEV No.	698017	Ref. No.	F2152
----------------	--------	-----------------	-------

description	lid model 12-22 ø 100mm plastic mounting distance 85mm		
--------------------	--	--	--

accessories for	698017		
------------------------	--------	--	--



GEV No.	699592	Ref. No.	—
----------------	--------	-----------------	---

plug for lid ø 75mm plastic for meat mincer/cheese grater



1

GEV No.	698010	Ref. No.	F2002
----------------	--------	-----------------	-------

description	lid model 8 ø 78mm plastic mounting distance 70mm		
--------------------	---	--	--

press levers



1

GEV No.	698012	Ref. No.	F2161
----------------	--------	-----------------	-------

description	press lever Mod.12		
--------------------	--------------------	--	--



1

GEV No.	698236	Ref. No.	F2162
----------------	--------	-----------------	-------

description	press lever Mod.12-22		
--------------------	-----------------------	--	--

rubbing cylinders

complete



1

GEV No.	698014	Ref. No.	F2156+2xF2155
----------------	--------	-----------------	---------------

description	grating cylinder ø 79mm L 155mm ID ø 25mm Mod.12-22		
--------------------	---	--	--



1

GEV No.	698015	Ref. No.	F2158
----------------	--------	-----------------	-------

description	grating cylinder ø 79mm L 155mm ID ø 25mm stainless steel Mod.12-22		
--------------------	---	--	--

rubbing cylinders



1

GEV No.	698234	Ref. No.	F2156
----------------	--------	-----------------	-------

description	grating cylinder ø 79mm L 142.2mm ID ø 71mm Mod.12-22		
--------------------	---	--	--

side parts



Image not available

1

GEV No.	698008	Ref. No.	F2057
----------------	--------	-----------------	-------

description	grating cylinder		
--------------------	------------------	--	--



1

GEV No.	698009	Ref. No.	F2055
description	grating cylinder		



1

GEV No.	698016	Ref. No.	F2155
description	side panel ID ø 25mm ED ø 71mm W 24mm aluminium Mod.12-22		

grating cylinder housings



1

GEV No.	698013	Ref. No.	F2167
description	housing aluminium Mod.12		

gear wheels



1

GEV No.	698028	Ref. No.	F2106
description	gear wheel double ø 32/70mm shaft intake ø 15mm W 30mm teeth 18/41 splitting tooth width 14/11mm DIN/ISO Mod.12-22		



1

GEV No.	698027	Ref. No.	F2104
description	gear wheel ø 25mm shaft intake ø 10mm teeth 13 splitting tooth width 20mm DIN/ISO Mod.12-22		



1

GEV No.	698029	Ref. No.	F2107
description	gear wheel ø 64mm shaft intake ø 16mm teeth 39 splitting tooth width 13mm DIN/ISO Mod.12-22		

miscellaneous



1

GEV No.	698011	Ref. No.	F2062 F2160
description	bolt for press lever ø 8mm L 60mm		



1

GEV No.	346394	Ref. No.	F2164
description	bush for microswitch ø 8mm D1 ø 22mm		



1

GEV No.	346395	Ref. No.	F2163
description	cover for microswitch L 80mm W 60mm H 70mm		



for mozzarella slicers

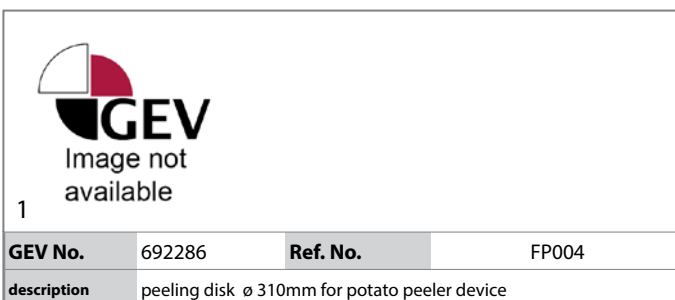
accessories



for potato peelers

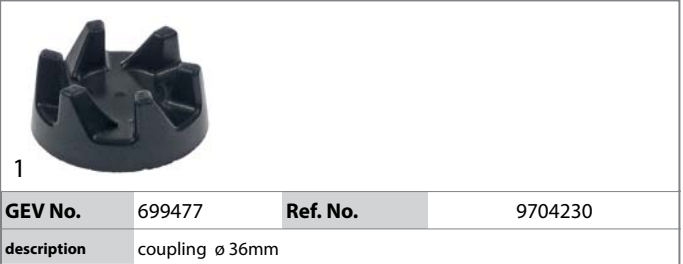
abrasive side elements

grinding discs



for planetary mixers

miscellaneous



for bar blender

blenders

jar components

gaskets



holders



blades


blades with adaptor (complete)





actuators

group 2




1

GEV No.	651043	Ref. No.	C0007F308
description	mixer coupling ø 28mm H 13mm teeth 8 rubber		


mixers

mixer discs



1

GEV No.	696747	Ref. No.	C0007F216
description	mixer disc ø 26mm H 28.5mm M6		




1

GEV No.	696746	Ref. No.	C0004F213
description	mixer disc ø 26mm ID ø 6.2mm 7		

for hand blenders

spare parts and accessories




1

GEV No.	651051	Ref. No.	F2524
description	coupling male sitck side L 25mm teeth 8 int. ø 1 8x6mm		

blender sticks

blender sticks




1

GEV No.	699180	Ref. No.	FM500
description	blender stick L 500mm		

beaters

beaters




1

GEV No.	697763	Ref. No.	F2435
description	whisk ø 90mm L 270mm hole ø 8mm 350/450/650		

for citrus juicers

spillage trays



1

GEV No.	650268	Ref. No.	C0007S810
description	tray ø 145mm H 78mm		


housings



1

GEV No.	650269	Ref. No.	C0007S807
description	protective cover ø 205mm H 52mm		

juicer insert



1

GEV No.	650267	Ref. No.	C0004S803
description	juicer insert for citrus juicers ø 110mm H 48mm		



1

GEV No.	650266	Ref. No.	C00045817
description	juicer insert ø 91mm H 64mm mounting pos. upper		

for espresso machines

brewing units

filter holder gaskets

O-rings



1

GEV No.	510409	Ref. No.	F2680
description	O-ring EPDM thickness 5.34mm ID ø 56.52mm Qty 1 pcs		

for coffee grinders

support for filter holder



1

GEV No.	696745	Ref. No.	C2040131
description	filter holder support L 85mm ø 10mm		

for tilting bratt pans

miscellaneous



1

GEV No.	523510	Ref. No.	F2016 F2082
description	deep-groove ball bearing type 6202-2RS shaft ø 15mm ED ø 35mm W 11mm with sealing discs deep-groove ball bearing DIN 625-1		
For models:	TG8, TGI8, TI8, TS8		

handles and hand wheels

bracket handles



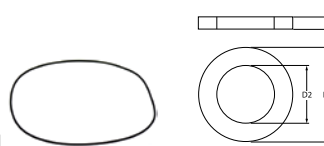
1

GEV No.	700725	Ref. No.	FA30G049
description	pull handle L 130mm H 45mm mounting distance 115mm thread M6 W 30mm handle M6		

gaskets

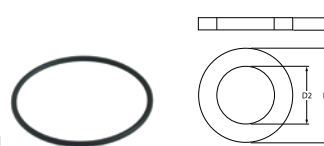
O-rings

EPDM



1

GEV No.	698025	Ref. No.	F2351
description	O-ring EPDM thickness 2mm ID ø 164.5mm Qty 1 pcs		



1

GEV No.	532457	Ref. No.	F2186
description	O-ring EPDM thickness 3.53mm ID ø 85.32mm Qty 1 pcs		



1

GEV No.	510409	Ref. No.	F2680
description	O-ring EPDM thickness 5.34mm ID ø 56.52mm Qty 1 pcs		

sealing washers

silicone gaskets




1

GEV No.	651007	Ref. No.	C0007F323
description	gasket ED ø 75mm ID ø 55mm thickness 3mm Qty 1 pcs		



shaft gaskets

shaft gaskets



1

GEV No.	698001	Ref. No.	F0544 F2021
description	shaft seal ID ø 20mm ED ø 35mm thickness 7mm		





Image not available

1

GEV No.	698185	Ref. No.	F0544
description	shaft seal ID ø 20mm ED ø 35mm thickness 7mm		



1

GEV No.	698002	Ref. No.	F2101
description	shaft seal ID ø 25mm ED ø 40mm thickness 7mm		

transmission technology and ball bearings

ball bearings

deep-groove ball bearings 2RS



1

GEV No.	523534	Ref. No.	F0535
description	deep-groove ball bearing type 6001-2RS shaft ø 12mm ED ø 28mm W 8mm with sealing discs deep-groove ball bearing DIN 625-1		




1

GEV No.	523522	Ref. No.	F0533 F0552 F2005 F2010
description	deep-groove ball bearing type 6004-2RS shaft ø 20mm ED ø 42mm W 12mm with sealing discs deep-groove ball bearing DIN 625-1		



1

GEV No.	523510	Ref. No.	F2016 F2082
description	deep-groove ball bearing type 6202-2RS shaft ø 15mm ED ø 35mm W 11mm with sealing discs deep-groove ball bearing DIN 625-1		
For models:	TG8, TGI8, TI8, TS8		



1

GEV No.	523511	Ref. No.	F2103
description	deep-groove ball bearing type 6203-2RS shaft ø 17mm ED ø 40mm W 12mm with sealing discs deep-groove ball bearing DIN 625-1		



1

GEV No.	523513	Ref. No.	F0161 F0545 F2171
description	deep-groove ball bearing type 6205-2RS shaft ø 25mm ED ø 52mm W 15mm with sealing discs deep-groove ball bearing DIN 625-1		

deep-groove ball bearings Z



1

GEV No.	697842	Ref. No.	F2093
description	deep-groove ball bearing type 6203-Z shaft ø 17mm ED ø 40mm W 12mm DIN 625-1		

deep-groove ball bearings open



1

GEV No.	523535	Ref. No.	F0510
description	deep-groove ball bearing shaft ø 20mm ED ø 40mm W 14mm type 16005 DIN 625-1		

thrust ball bearings



1

GEV No.	523536	Ref. No.	F0511
description	thrust ball bearing shaft ø 20mm ED ø 40mm W 14mm type 51204 DIN 711		




1

GEV No.	698073	Ref. No.	F2169
description	meat collecting tray ø 220mm Lmm Wmm H 90mm		

springs

compression springs



1

GEV No.	696748	Ref. No.	C0008CPS056
description	spring ø 19mm L 43mm wire gauge ø 2mm windings 10 steel		

kitchen accessories

spillage trays



1

GEV No.	698112	Ref. No.	F2047
description	meat collecting tray L 255mm W 195mm H 50mm		



1

GEV No.	698074	Ref. No.	F2222
description	meat collecting tray L 310mm W 240mm H 50mm		



1


GEV No.	698071	Ref. No.	F2069
description	meat collecting tray ø 160mm Lmm Wmm H 60mm		

fastening material

screws

cylinder head bolts

DIN 912/ISO 4762




1

GEV No.	560326	Ref. No.	F2024M
description	cylinder head bolt thread M5 thread L 14mm WS 4 zinc-coated steel Qty 1 pcs DIN 912/ISO 4762		

fasteners


retaining rings

DIN 472



1

GEV No.	698003	Ref. No.	F2015
description	retaining ring bore ø 35mm thickness 1.5mm steel DIN 472		



1

GEV No.	698004	Ref. No.	F2108
description	retaining ring bore ø 40mm thickness 1.9mm steel DIN 472		



consumables

lubricants

oils

gear oils



1

GEV No.	890285	Ref. No.	N/A
description	gear oil 680 EP for mincer Qty 1l		

C

condensators & interference suppression filters	6
consumables	27
control equipment	4
cylinder head bolts	26

F

fasteners	26
fastening material	26
funnel trays	8

H

heating elements	3
------------------	---

L

lubricants	27
------------	----

M

magnetic switches	3
microswitches	3
motors	5

O

oils	27
operating capacitors	6
O-rings	24

P

push/momentary push switches	3
------------------------------	---

R

retaining rings	26
-----------------	----

S

screws	26
sealing washers	24
shaft gaskets	25
spillage trays	26
switches and momentary switches	3