



GAS COMPONENTS



ELECTRIC COMPONENTS



WATER TECHNOLOGY



MECHANICAL COMPONENTS



TOOLS

Spare parts suitable for

FIMAR

Find the complete and up-to-date range of products in our GEV Webshop



Manufacturer catalogue

The most important spare parts and accessories arranged clearly for every manufacturer

- ✓ Complete product range and all appliance data always up to date in the GEV Webshop
- ✓ Alphabetical Index at the end of the catalogue

GEV Webshop

www.gev-online.co.uk

www.gev-online.com




- 🔍 Add to Favourites
- 🔍 Sign In with email address and usual password
- 🔍 Easy-order – place several items in your basket at the same time
- 🔍 Quick Item search – no login needed



heating elements

heating elements for bain maries



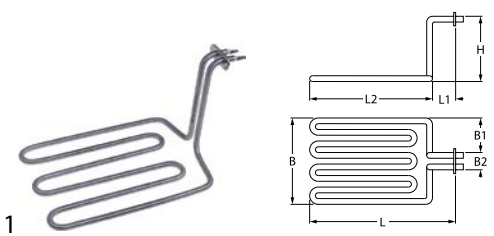
GEV No.	417748	Ref. No.	CO0069
description	heating element 1200W 230V heating circuits 1 L 365mm W 190mm connection cable 500mm tube ø 6.3mm		

heating elements for crepes makers

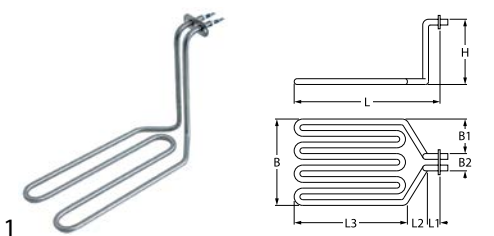


GEV No.	416636	Ref. No.	CO1765
description	heating element 2000W 230V L 280mm Wmm H 34mm tube ø 9mm connection M4 dry heating element heating circuits 1 ED ø 305mm crepes maker		
For models:	CRP, CRP2		

heating elements for fryers

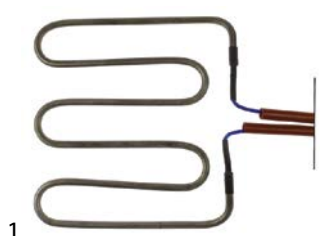


GEV No.	418643	Ref. No.	CO1117 CO1959
description	heating element 3200W 230V heating circuits 1 L 290mm W 185mm H 165mm L1 35mm L2 255mm W1 78mm W2 29mm flange length 50mm flange width 22mm hole distance 40mm windings 3 tube ø 8.5mm connection length 35mm connection F 6.3 hole ø 4mm rectangular flange immersion heater		
For models:	FT8, FT88, FT88N, FT88RN, FT8N, FT8RN, SF9, SF99, SF99N, SF9N		

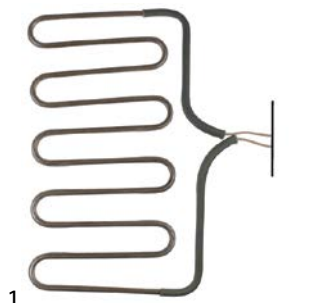


GEV No.	416744	Ref. No.	CO1116
description	heating element 2000W 230V heating circuits 1 L 282mm W 120mm H 175mm rectangular flange connection male faston 6.3mm L1 22mm L2 50mm L3 210mm W1 46mm W2 28mm hole distance 40mm windings 2 hole ø 5mm flange length 50mm flange width 22mm		
For models:	FT4, FT44, FT44N, FT4N		

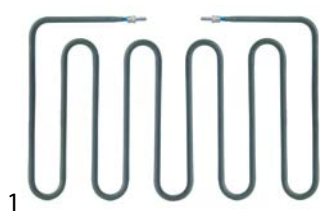
heating elements for contact grills



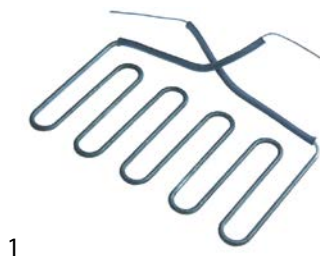
GEV No.	416011	Ref. No.	CO4415
description	heating element 1000W 230V L 182mm W 195mm H 12mm W1 42mm W2 111mm connection length 25mm tube ø 6.3mm windings 3 cable length 400mm dry heating element		
For models:	PE25L, PE25R, PE50L, PE50M, PE50R, PV50L, PV50R		




GEV No.	416013	Ref. No.	CO4433
description	heating element 1000W 230V L 185mm W 310mm H 28mm W1 115mm W2 80mm connection length 35mm tube ø 6.9mm windings 5 cable length 690mm dry heating element		
For models:	PE25L, PE25R, PE35L, PE35R, PV35L, PV35R		



GEV No.	416590	Ref. No.	CO1060
description	heating element 1150W 230V L 192mm W 304mm H 18mm W1 98mm W2 108mm connection length 24mm tube ø 6.3mm windings 5 connection M4 mounting pos. lower dry heating element		
For models:	PE35LE, PE35RE, PS36L, PS36R		

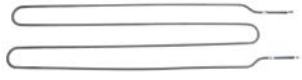






GEV No.	416014	Ref. No.	CO4438
description	heating element 1500W 230V L 180mm W 325mm H 42mm W1 108mm W2 109mm connection length 75mm tube ø 6.3mm windings 5 cable length 330mm dry heating element		
For models:	PE25L, PE25R, PE35L, PE35R, PV35L, PV35R		

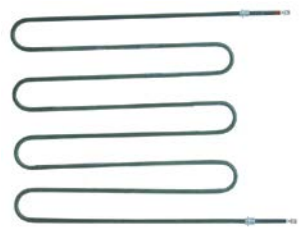







GEV No.	416012	Ref. No.	CO4410
description	heating element 700W 230V L 185mm W 187mm H 11mm W1 42mm W2 102mm tube ø 6.3mm windings 3 cable length 750mm dry heating element		
For models:	PE25L, PE25R, PE50L, PE50M, PE50R, PV50L, PV50R		

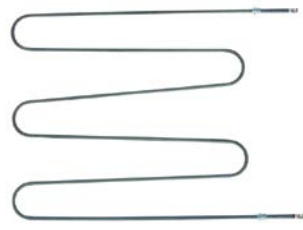
heating elements for pizza ovens








GEV No.	416640	Ref. No.	CO3653
description	heating element 1600W 230V L 890mm W 220mm connection length 93mm L1 30mm L3 815mm W1 28mm W2 150mm tube ø 8.5mm heating circuits 1 2 hole fixing dry heating element pizza oven thread 1/4" mounting distance 150mm		
For models:	FME9, FME99, FMEW6, FMEW66		
accessories for	416640		
	GEV No.	361182	Ref. No. —
	nut thread 1/4" H 5mm nickel-plated brass WS 17 Qty 1 pcs		
	GEV No.	510417	Ref. No. —
	flat gasket fibre ED ø 20mm ID ø 14mm thickness 2mm Qty 1 pcs		
	GEV No.	520228	Ref. No. —
	tooth lock washer ID ø 15.3mm ED ø 24mm steel Qty 1 pcs for thread M14		
	GEV No.	550262	Ref. No. —
	flat gasket copper ED ø 20mm ID ø 14mm thickness 2mm		



GEV No.	416637	Ref. No.	CO3650
description	heating element 2000W 230V L 470mm W 420mm thread 1/4" mounting distance 412mm connection length 100mm connection M5 tube ø 8.5mm heating circuits 1 dry heating element 2 hole fixing pizza oven		
For models:	MINI		
accessories for	416637		
	GEV No.	361182	Ref. No. —
	nut thread 1/4" H 5mm nickel-plated brass WS 17 Qty 1 pcs		
	GEV No.	510417	Ref. No. —
	flat gasket fibre ED ø 20mm ID ø 14mm thickness 2mm Qty 1 pcs		
	GEV No.	520228	Ref. No. —
	tooth lock washer ID ø 15.3mm ED ø 24mm steel Qty 1 pcs for thread M14		
	GEV No.	550262	Ref. No. —
	flat gasket copper ED ø 20mm ID ø 14mm thickness 2mm		

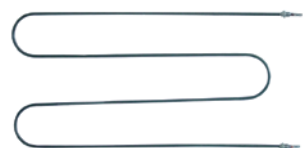


GEV No.	416638	Ref. No.	CO3651
description	heating element 2100W 230V L 580mm W 460mm thread 1/4" mounting distance 425mm connection length 102mm connection M5 tube ø 8.5mm heating circuits 1 dry heating element 2 hole fixing		
For models:	FME4, FME44, FYE4, FYE44		
accessories for	416638		
	GEV No.	361182	Ref. No. —
	nut thread 1/4" H 5mm nickel-plated brass WS 17 Qty 1 pcs		
	GEV No.	510417	Ref. No. —
	flat gasket fibre ED ø 20mm ID ø 14mm thickness 2mm Qty 1 pcs		
	GEV No.	520228	Ref. No. —
	tooth lock washer ID ø 15.3mm ED ø 24mm steel Qty 1 pcs for thread M14		
	GEV No.	550262	Ref. No. —
	flat gasket copper ED ø 20mm ID ø 14mm thickness 2mm		



GEV No.	416639	Ref. No.	CO3652
description	heating element 3600W 230V L 585mm W 800mm thread 1/4" mounting distance 792mm connection length 100mm connection M5 tube ø 8.5mm heating circuits 1 dry heating element 2 hole fixing pizza oven		
For models:	FME6, FME66, FYE6, FYE66		

heating elements for salamanders/toast-








GEV No.	416635	Ref. No.	CO1279
description	heating element 3000W 230V L 615mm W 300mm 2 hole fixing thread M12x1 mounting distance 293mm connection male faston 6.3mm dry heating element tube ø 6.5mm heating circuits 1 connection length 29mm		
For models:	SAL600		
accessories for	416635		
	GEV No.	520229	Ref. No. —
	nut thread M12x1 H 4mm WS 16 zinc-coated steel Qty 1 pcs		
	GEV No.	521110	Ref. No. —
	flat gasket fibre ED ø 20mm ID ø 13mm thickness 2mm Qty 1 pcs		


Table continues overleaf




accessories for	416635		
	GEV No.	521131	Ref. No. —
	nut thread M12x1 H 3.5mm WS 17 SS Qty 1 pcs		
	GEV No.	528110	Ref. No. —
	O-ring EPDM thickness 2.62mm ID ø 12.37mm Qty 1 pcs		

quartz heating elements


1 			
GEV No.	416564	Ref. No.	CO1020
description	heating coil 400W 110V for quartz tube 320hm L1 345mm L2 310mm ø 6mm connection eye		
For models:	TOC		

1 			
GEV No.	416563	Ref. No.	CO1085
description	quartz heating element 500W 230V L 340mm ø 12mm connection male faston 6.3mm		
For models:	TOP3, TOP6		

1 			
GEV No.	416486	Ref. No.	CO1019
description	quartz tube WV L 337mm tube ø 11mm		
For models:	TOC, TOCS		

immersion heating elements


with expansion flange 70 x 18mm

1 			
GEV No.	420058	Ref. No.	CO0135 SL0560
description	heating element 1950W 230V heating circuits 1 flange 70x18mm L 238mm W 64mm connection male faston 6.3mm tube ø 8.5mm		

energy regulators

EGO

1-circuit

1 			
GEV No.	380015	Ref. No.	CO1953
description	energy regulator 230V 13A single-circuit turn direction right shaft ø 6x4.6mm shaft L 23mm mounting thread M4 power release 6-100% no. 50.57021.010		
For models:	SAL600		

thermostats

bi-metal thermostats

safety bi-metal thermostats



GEV No.	390187	Ref. No.	CO1942
description	bi-metal safety thermostat hole distance 40mm switch-off temp. 180°C 2NC 2-pole 16A connection F6.3 2 hole fixing		
For models:	CRP, CRP2, CRP4, CRP42, PV27LL, PV27RL, PV40LL, PV40RL, PV55LL, PV55RL		

control and safety thermostats

EGO

control thermostats

55.10/19_ series



GEV No.	390046	Ref. No.	CO1111
description	thermostat t.max. 190°C temperature range 104-190°C 1-pole 1NO 16A probe ø 6mm probe L 133mm capillary pipe 870mm capillary pipe isolatedmm gland nut M9x1 shaft ø 6x4.6mm shaft L 23mm shaft position lower rotation 270° probe material SS		
For models:	FT4, FT44, FT44N, FT4N, FT8, FT88, FT88N, FT88RN, FT8N, FT8RN, SF9, SF99, SF99N, SF9N		



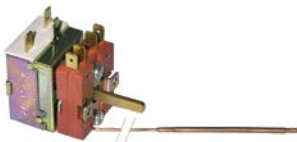
GEV No.	375002	Ref. No.	CO1941
description	thermostat t.max. 320°C temperature range 55-320°C 1-pole 1NO 16A probe ø 3.1mm probe L 226mm capillary pipe 870mm capillary pipe isolated 850mm gland nut shaft L 23mm shaft position upper rotation 270°		
For models:	CRP, CRP2, CRP4, CRP42		



GEV No.	375247	Ref. No.	CO3601
description	thermostat t.max. 500°C temperature range 75-500°C 1-pole 1NO 16A probe ø 4mm probe L 228mm capillary pipe 900mm capillary pipe isolatedmm gland nut shaft ø 6x4.6mm shaft L 23mm shaft position upper rotation 270°		
For models:	FM4, FM44, FM6, FM66, FM9, FME4, FME44, FME6, FME66, FME9, FME99, FMEW6, FMEW66, FML4, FML44, FML6, FML66, FML9, FML99, FMLW6, FMLW66, FMS4, FMS44, FMS6, FMS66, FMS9, FYE4, FYE44, FYE6, FYE66, FYL4, FYL44, FYL6, FYL66, MICRO1C, MICRO2C, MINI, PICCOLO		

IMIT / TEMPOMATIC / ARTHERMO

control thermostats with operation switch



GEV No.	390139	Ref. No.	CO4421
description	thermostat t.max. 270°C temperature range 63-270°C 1-pole 1CO 15A probe ø 3.5mm probe L 195mm capillary pipe 1000mm capillary pipe isolatedmm gland nut shaft ø 6x4.6mm shaft L 17mm shaft position upper° rotation 270°		
For models:	PE25L, PE25R, PE35L, PE35R, PE50L, PE50M, PE50R, PV35L, PV35R, PV50L, PV50R		

TECASA

safety thermostats



GEV No.	375195	Ref. No.	CO1110
description	safety thermostat switch-off temp. 240°C 1-pole 16A probe ø 4mm probe L 84mm capillary pipe 400mm capillary pipe isolated 130mm gland nut probe SS		
For models:	FT4, FT44, FT44N, FT4N, FT8, FT88, FT88N, FT88RN, FT8N, FT8RN, SF9, SF99, SF99N, SF9N		

switches and momentary switches
rocker/momentary rocker switches

30x11 mm



GEV No.	301012	Ref. No.	CO1269
description	rocker switch mounting measurements 30x11mm green 1NO/ indicator light 250V 16A 0-I connection male faston 6.3mm ambient temperature max. 85/125°C protection IP40		
For models:	FGI4, FGI6, FGI9, FME4, FME44, FME6, FME66, FME9, FME99, FMEW6, FMEW66, FML4, FML44, FML6, FML66, FML9, FML99, FMLW6, FMLW66, FYE4, FYE44, FYE6, FYE66, FYL4, FYL44, FYL6, FYL66, GYR60, GYR60M, GYR80, GYR80M		



GEV No.	346890	Ref. No.	SL0758
description	rocker switch mounting measurements 30x11mm black 1CO 250V 16A I-II connection male faston 6.3mm ambient temperature max. 85°C/145°C protection IP65 with cover cap		
For models:	FM3		

accessories for	346890	GEV No.	301035	Ref. No.	—
	protective cover mounting measurements 30x11mm				

30x22mm





GEV No.	347791	Ref. No.	CO1038
description	rocker switch mounting measurements 30x22mm green 2NO 230V 20A illuminated 0-I connection male faston 6.3mm ambient temperature max. 125/55°C protection IP65 with rubber collar		





GEV No.	347531	Ref. No.	SA1097
description	rocker switch mounting measurements 30x22mm green 2NO 250V 20A illuminated 0-I connection male faston 6.3mm ambient temperature max. 125/55°C protection IP65 with rubber collar		
For models:	CRP, CRP2, CRP4, CRP42, FRY1L, FRY1LR, FRY1R, FRY2L, FRY2LR, FRY2R		




push/momentary push switches


ø16mm			
			
1			
GEV No.	301310	Ref. No.	CO4687
description	push switch mounting ø 16mm chrome 1NO 250V 16A connection male faston 6.3mm protection IP40 ambient temperature max. 150°C		
For models:	FRI150, FRI2150, FRI300, FRP150, FRP2150, TFA3P		
spare parts for	301310		
	GEV No.	347676	Ref. No.
			—
			
	switch 1NO 250V 16A connection male faston 6.3mm		

ø22mm			
			
1			
GEV No.	699002	Ref. No.	SL0891
description	momentary push switch mounting ø 22mm black/white 1NO/1NC/indicator light 230V 6A 0-1 connection screw ambient temperature max. 70°C protection IP40		
For models:	2000, 2200, 3AF, AB12AT, AB12ATQ0, AB12L, AB12LQ0, AB12R, AB12T, AB12TQ0, AB22AE, AB22AEQ0, ABGC, ABGCP, CAFFES, FI32, FI42, FIP42, G220, G250, G300, G350, G350I, G370, G370I, GR12S, H300, H330, H350, H370, HL250, HL275, HL300, HS300, IM12C, IP10, IP20, K300, K330, K350, K370, MPF1,5, MPF2,5, SE1550, SE1550Q0, SE1830, SE1830Q0, SE2200, SI320, SI420...(Other models you can see in the webshop)		


			
1			
GEV No.	699599	Ref. No.	SL1466
description	momentary push switch mounting ø 22mm white 1NO/indicator light/1NO 230V 6A connection screw ambient temperature max. 70°C protection IP40		
For models:	AB22A, AB22AT, TR22RS, TR22S, TR22TS, TR32RS, TR32TS		


overload switches			
			
1			
GEV No.	347067	Ref. No.	SL2919
description	push switch KJD17 mounting measurements 45x22mm black/white 2NO/A1 250V 10A I O connection male faston 4.8mm/6.3mm ambient temperature max. 85°C protection IP54 with cover cap		
For models:	AB8D, GR8D, IP10F, TR8D		

miscellaneous

			
1			
GEV No.	697414	Ref. No.	SL0757
description	momentary push switch mounting measurements 29x29mm black 2NO 250V 16A connection screw ambient temperature max. 85°C protection IP40 FM3		
For models:	FM3, FX40, FX42S, MX25, MX40, MX42S		

microswitches

lever actuated			
			
1			
GEV No.	345255	Ref. No.	CO1109
description	microswitch with lever 250V 16A 1CO connection male faston 6.3mm L 35mm L1 28mm ambient temperature max. 125°C mounting distance 22mm actuating force: 136g lever length 27mm		
For models:	FT4, FT44, FT8, FT88, SF9, SF99		

			
1			
GEV No.	346880	Ref. No.	CO1023
description	microswitch with lever		
For models:	FRU11, FRU1P, FRU2I, FRU2P, SPR		

roller-lever actuated

microswitches			
 			
1			
GEV No.	345041	Ref. No.	SL0885
description	microswitch with handle with a switch 250V 16A 1CO connection male faston 6.3mm ambient temperature max. 85°C black lever length 20.5mm		
For models:	AB12AT, AB12ATQ0, AB12L, AB12LQ0, AB12R, AB12T, AB12TQ0, AB22A, AB22AE, AB22AEQ0, AB22AT, AB22ATQ0, ABGC, ABGCP, GR12S, IM12C, IM12CN, IM12E, IM12F, IM12FN, IM12S, IM12SN, IM18C, IM18CN, IM18E, IM18F, IM18FN, IM18S, IM18SN, IM20L, IM25C, IM25CN, IM25E, IM25F, IM25FN, IM25S, IM25SE, IM25SM, IM25SN, IM30L, IM35SE, IM35SM, IM38C, IM38CN, IM38E, IM38F, IM38FN, IM38S, IM38SN, IM50C...(Other models you can see in the webshop)		



pin-plunger actuated

M12



1

GEV No.	345138	Ref. No.	SL1401
description	microswitch with plunger mounting distance 25mm thread M12x1 thread L 12mm 250V 20A 1CO connection screw stroke 7mm L1 13mm ambient temperature max. 85°C type Z15G1307 actuating force: 250g		
For models:	2000, IM12C, IM12CN, IM12F, IM12FN, IM18C, IM18CN, IM18F, IM18FN, IM25C, IM25CN, IM25F, IM25FN, IM38C, IM38CN, IM38F, IM38FN, IM50C, IM50CN, IM50F, IM50FN, IP10, IP20, TV2000		

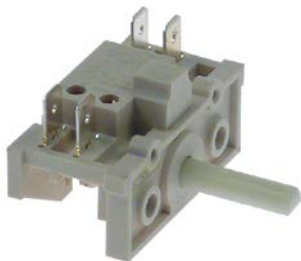
cam switches

on/off



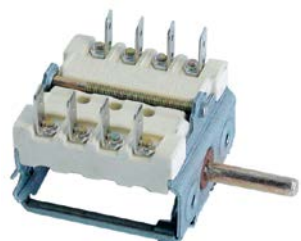
1

GEV No.	300129	Ref. No.	CO6973
description	cam switch 2 operating positions 2NO sequence 0-1 16A shaft ø 6x4.6mm shaft L 23mm connection male faston 6.3mm ceramic		



1

GEV No.	348230	Ref. No.	CO0408
description	cam switch 2 operating positions 2NO sequence 0-1 16A shaft ø 6x4.6mm shaft L 23mm connection male faston 6.3mm ON-OFF plastic		
For models:	FT44N, FT4N, FT88N, FT88RN, FT8N, FT8RN, SF99N, SF9N		



1

GEV No.	300124	Ref. No.	CO1943
description	cam switch ON-OFF connection male faston		
For models:	CRP, CRP2, CRP4, CRP42		

SWITCHES AND MOMENTARY SWITCHES FIMAR

rotary switches

MOELLER/EATON



1

GEV No.	346588	Ref. No.	SL2743
description	rotary switch 2 1-2 sets of contacts 8 type T0-4-969I/E 400V 16A shaft ø 5.8x6.9mm shaft L 26.8mm shaft star-shaped connection screw		
For models:	IM12C, IM12CN, IM12F, IM12FN, IM12S, IM12SN, IM18C, IM18CN, IM18F, IM18FN, IM18S, IM18SN, IM25C, IM25CN, IM25F, IM25FN, IM25S, IM25SN, IM38C, IM38CN, IM38F, IM38FN, IM38S, IM38SN, IM50C, IM50CN, IM50F, IM50FN, IM50S, IM50SN, IM7S, IM7SN		



1

GEV No.	348229	Ref. No.	SL0247
description	rotary switch sets of contacts 12 3 1-0-2 type T0-3-1042I/EZ 400V 16A with fixing kit connection screw		
For models:	AB22AT, AB22ATQ0, TR22RG, TR22RS, TR22RSQ0, TR22RSQ1, TR22TS, TR22TSQ0, TR22TSQ1, TR32RS, TR32RSQ0, TR32TNQ0		

TECNOMATIC



1

GEV No.	345993	Ref. No.	CO1043
description	rotary switch 2 0-1 sets of contacts 2 600V 25A shaft ø 5x5mm shaft square connection screw		
For models:	TOC		



1

GEV No.	345994	Ref. No.	CO1045
description	rotary switch 5 0-1-2-3-4 sets of contacts 4 type HD16G014F112 600V 16A shaft ø 5x5mm shaft L 23mm shaft square connection screw		
For models:	TOC		


foot switches




1

GEV No.	347735	Ref. No.	PEDALE PEDALEFI
description	foot switch		

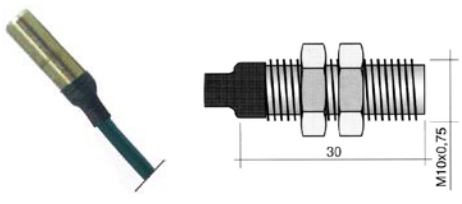




			
1			
GEV No.	346841	Ref. No.	COMPED
description	foot switch 1CO		
For models:	FI30, FI40, FIP30, FIP40, FP30, FP40, FPP30, FPP40		

			
1			
GEV No.	347643	Ref. No.	SA1088
description	momentary push switch mounting measurements ø22mm black 1NO/1CO tipping momentary		
For models:	LCF10M, LCF18M, LCF5, LCN10M, LCN18M, LCN5, PPF10M, PPF18M, PPF25, PPF5, PPN10M, PPN18M, PPN25, PPN5		

magnetic switches

M10x0.75

			
1			
GEV No.	345632	Ref. No.	32W3240
description	magnetic switch thread M10x0.75 1NO 250V 0.5A P max. 50W connection cable cable length 2000mm type 102		
For models:	3AF, CL3, CL5, CL8, FNT, FNT2V, FNT-MEC, LAV, LCF10, LCF10M, LCF18, LCF18M, LCF5, LCN10, LCN10M, LCN18, LCN18M, LCN5, PLF10, PLF18, PLF5, PLN10, PLN18, PLN5, PPF10, PPF10M, PPF18, PPF18M, PPF25, PPF5, PPN10, PPN10M, PPN18, PPN18M, PPN25, PPN5, TR22RG, TR32RS, TR32RSQ0, TR32TNQ0, TV2000R, TV4000		
accessories for	345632		
		GEV No.	100779
		Ref. No.	—
	nut thread M10x0.75 H 3mm WS 14 SS Qty 2 pcs		

			
1			
GEV No.	346585	Ref. No.	SL1049
description	momentary push switch mounting measurements ø22mm white 1NO l momentary		
For models:	C300, C500, C800, FF30, FNT-MEC, IM12C, IM12CN, IM12E, IM12F, IM12FN, IM12S, IM12SN, IM18C, IM18CN, IM18E, IM18F, IM18FN, IM18S, IM18SN, IM20L, IM25C, IM25CN, IM25E, IM25F, IM25FN, IM25S, IM25SE, IM25SM, IM25SN, IM30L, IM35SE, IM35SM, IM38C, IM38CN, IM38E, IM38F, IM38FN, IM38S, IM38SN, IM50C, IM50CN, IM50F, IM50FN, IM50S, IM50SE, IM50SN, IM7S, IM7SN		

control equipment


MOELLER/EATON

switches (complete)

push/momentary push switches

			
1			
GEV No.	346587	Ref. No.	SL0807 SL0945
description	momentary push switch mounting measurements ø22mm black 1NC OFF momentary		
For models:	AB22A, AB22AT, AB22ATQ0, C300, C500, C800, FF30, FNT-MEC, IM12C, IM12CN, IM12E, IM12F, IM12FN, IM12S, IM12SN, IM18C, IM18CN, IM18E, IM18F, IM18FN, IM18S, IM18SN, IM20L, IM25C, IM25CN, IM25E, IM25F, IM25FN, IM25S, IM25SE, IM25SM, IM25SN, IM30L, IM35SE, IM35SM, IM38C, IM38CN, IM38E, IM38F, IM38FN, IM38S, IM38SN, IM50C, IM50CN, IM50F, IM50FN, IM50S, IM50SE, IM50SN, IM7S... (Other models you can see in the webshop)		

encoders and potentiometers

			
1			
GEV No.	300117	Ref. No.	CO1694
description	potentiometer 4K0hm		
For models:	TOC, TOCS		


lamps


indicator lights

indicator lights (complete)

ø10mm

with plug-in socket

			
1			
GEV No.	359139	Ref. No.	CO1948
description	indicator light ø 10mm green 230V connection male faston 6.3mm Qty 1 pcs		
For models:	AG811, AP864, CRP, CRP2, FC423, FG1011, FG511, FP1064, FP464, FP564, FP864, PE25L, PE25R, PE35L, PE35R, PE50L, PE50M, PE50R, PV35L, PV35R, PV50L, PV50R, SF16P, SFM13, SFM18, SFM18D		

			
1			
GEV No.	359140	Ref. No.	CO1039
description	indicator light ø 10mm yellow 230V connection male faston 6.3mm Qty 1 pcs		
For models:	FOP, TOC, TOCS		

ø13mm

with plug-in socket



GEV No.	359143	Ref. No.	CO1108
description	indicator light ø 13mm yellow 230V connection male faston 6.3mm temp.-resist. 120°C Qty 1 pcs		
For models:	FT4, FT44, FT44N, FT4N, FT8, FT88, FT88N, FT88RN, FT8N, FT8RN, SAL600, SF9, SF99, SF99N, SF9N, TOP3, TOP6		

screw-on/push-on fit

light bulbs

for ovens



GEV No.	359612	Ref. No.	CO1272
description	light bulb t.max. 300°C socket E14 25W 230V ø 25mm L 56mm lens L 30mm for oven lamp type Philips		
For models:	FM4, FM44, FM6, FM66, FM9, FME4, FME44, FME6, FME66, FME9, FME99, FMEW6, FMEW66, FMS4, FMS44, FMS6, FMS66, FMS9, FME4, FME44, FME6, FME66, FYL4, FYL44, FYL6, FYL66		

halogen lamp

for socket GU5.3 / GU10 / GZ5.3



GEV No.	357054	Ref. No.	CO1979
description	halogen lamp socket GU5.3 12V 20W ø 50mm H 38mm temp.-resist. 300°C AC/DC		
For models:	FGI4, FGI6, FGI9, FMD4, FMD44, FMD6, FMD66, FMD9, FMD99, FMDW6, FMDW66, FME4, FME44, FME6, FME66, FME9, FME99, FMEW6, FMEW66, FML4, FML44, FML6, FML66, FML9, FML99, FMLW6, FMLW66		

hard-glass infrared lamps



GEV No.	359463	Ref. No.	CO4310 SL0681
description	infrared lamp socket E27 240V 250W ø 125mm L 173mm type BR125 red hard glas		

oven lamps

universal oven lamps

mounting diameter 35.5mm



GEV No.	359660	Ref. No.	CO3654
description	oven lamp mounting ø 35.5mm 230V 25W socket E14 temp.-resist. 300°C connection male faston 6.3mm hard glas		
For models:	FME4, FME44, FME6, FME66, FME9, FME99		




GEV No.	359701	Ref. No.	CO1271
description	lamp socket socket E14 220-230V mounting ø 35.5mm connection male faston 6.3mm 15W		
For models:	FME4, FME44, FME6, FME66, FME9, FME99, FMEW6, FMEW66, FYE4, FYE44, FYE6, FYE66, FYL4, FYL44, FYL6, FYL66		


accessories for	359701			
	GEV No.	359705	Ref. No.	—
	oven lamp glass thr.ø 33.5mm ø 52mm hard glas temp.-resist. 350°C			
	GEV No.	359709	Ref. No.	—
	oven lamp glass thr.ø 33.5mm ø 42mm hard glas temp.-resist. 350°C			
	GEV No.	359721	Ref. No.	—
	gasket silicone ED ø 48mm ID ø 39.5mm thickness 5mm Qty 1 pcs			
	GEV No.	359942	Ref. No.	—
	oven lamp glass thr.ø 33.5mm ø 41mm hard glas temp.-resist. 350°C			





GEV No.	359661	Ref. No.	CO1273	
description	oven lamp glass thread 32.1 ø 58mm hard glas temp.-resist. 350°C			
For models:	FME4, FME44, FME6, FME66, FME9, FME99, FMEW6, FMEW66, FYE4, FYE44, FYE6, FYE66, FYL4, FYL44, FYL6, FYL66			
accessories for	359661			
	GEV No.	359700	Ref. No.	—
	gasket for pizza oven fibre glass ID ø 32.5mm ED ø 55mm thickness 5mm			




lamps			
light bulbs			
			
1			
GEV No.	359612	Ref. No.	CO1272
description	light bulb t.max. 300°C socket E14 25W 230V ø 25mm L 56mm lens L 30mm for oven lamp type Philips		
For models:	FM4, FM44, FM6, FM66, FM9, FME4, FME44, FME6, FME66, FME9, FME99, FMEW6, FMEW66, FMS4, FMS44, FMS6, FMS66, FMS9, FYE4, FYE44, FYE6, FYE66, FYL4, FYL44, FYL6, FYL66		

halogen lamps			
for socket GU5,3 / GU10			
			
1			
GEV No.	357054	Ref. No.	CO1979
description	halogen lamp socket GU5.3 12V 20W ø 50mm H 38mm temp.-resist. 300°C AC/DC		
For models:	FGI4, FGI6, FGI9, FMD4, FMD44, FMD6, FMD66, FMD9, FMD99, FMDW6, FMDW66, FME4, FME44, FME6, FME66, FME9, FME99, FMEW6, FMEW66, FML4, FML44, FML6, FML66, FML9, FML99, FMLW6, FMLW66		

timers

mechanical timers			
			
1			
GEV No.	350044	Ref. No.	CO1012
description	timer C20 2-pole operation time 15min impulse mechanical 2NO at 250V 16A permanent position no shaft ø 6x4.6mm shaft 6x4.6mm shaft L 20mm mounting distance 28mm connection lateral for toaster		
For models:	TOP3, TOP6		
accessories for	350044		
			
GEV No.	110285	Ref. No.	—
description	knob switch zero mark t.max.°C ø 40mm shaft ø 6x4.6mm shaft flat upper black		

			
1			
GEV No.	350202 ¹	Ref. No.	SA1115
description	timer G 2-pole operation time 30min impulse mechanical 2NO at 250V 16A permanent position yes shaft ø 6x4.6mm shaft 6x4.6mm shaft L 17mm mounting distance 28mm connection male faston 6.3mm TEMPOMATIC		


¹incl. knob and symbol

1			
GEV No.	350161¹	Ref. No.	SA1092
description	timer M2 3-pole operation time 5min impulse mechanical 3NO at 250V 16A permanent position no shaft ø 6x4.6mm shaft 6x4.6mm shaft L 22.5mm mounting distance 28mm connection male faston 6.3mm		
For models:	LCF10M, LCF18M, LCF5, LCN10M, LCN18M, LCN5, PPF10M, PPF18M, PPF25, PPF5, PPN10M, PPN18M, PPN25, PPN5		

¹incl. knob and symbol

1			
GEV No.	360447	Ref. No.	SA1087 SL2348
description	timer T203 1-pole operation time 5min impulse mechanical 1NO at 250V 16(3)A permanent position no shaft ø 6x4.6mm shaft 6x4.6mm shaft L 16mm mounting distance 30mm connection rear ambient temperature max. 55°C		
For models:	LCF10M, LCF18M, LCF5, LCN10, LCN10M, LCN18, LCN18M, LCN5, PLF5, PLN10, PLN18, PLN5, PPF10M, PPF18M, PPF25, PPF5, PPN10, PPN10M, PPN18, PPN18M, PPN25, PPN5		

transformers

open transformers			
with plug connection			
			
1			
GEV No.	400956	Ref. No.	CO1980
description	transformer primary 230VAC secondary 12VAC 20VA connection male faston 6.3mm 50/60Hz type T602012/E temperature restriction 150°C ambient temperature max. 80°C		
For models:	FMD4, FMD44, FMD6, FMD66, FMD9, FMD99, FMDW6, FMDW66, FME4, FME44, FME6, FME66, FME9, FME99, FMEW6, FMEW66, FML4, FML44, FML6, FML66, FML9, FML99, FMLW6, FMLW66		



electronic controllers

EKTRON

refrigeration controllers

built-in version



1

GEV No.	378034	Ref. No.	CO0862
description	electronic controller EKTRON type REK31ED-0021 mounting measurements 71x29mm 230V voltage AC NTC/PTC relay outputs 1 CO-8A(4) NTC/PTC NTC/PTC built-in depth 71mm defr. funct. yes -50 up to +95°C display 3 digits		
accessories for	378034		
	GEV No.	Ref. No.	—
	temperature probe PTC 1kOhm cable PVC probe -50 up to +150°C cable -10 up to 100°C probe ø6x30mm cable length 3m without screw connection 2-wire		
	GEV No.	Ref. No.	—
	temperature probe PTC 1kOhm cable thermoplastic probe -50 up to +150°C cable -40 up to +110°C probe ø6x14mm cable length 3m 2-wire resistor 1kOhm		



1

GEV No.	378118	Ref. No.	CO0019
description	electronic controller EKTRON type REK33-1021 mounting measurements 71x29mm 230V voltage AC PTC relay outputs 3 NO-16A NO-8A(4) NO-8A(4) PTC PTC built-in depth 71mm -50 up to +95°C display 3½ digits		
accessories for	378118		
	GEV No.	Ref. No.	—
	temperature probe PTC 1kOhm cable silicone probe -50 up to +150°C cable -50 up to +180°C probe ø6x40mm cable length 1.5m without screw connection 2-wire		

electronics

PCBs



1

GEV No.	697124	Ref. No.	SL0883 old
description	PCB 230/400V		



1

GEV No.	400957	Ref. No.	CO1044
description	PCB conveyor toaster TOC		
For models:	TOC, TOCS		




1

GEV No.	403585	Ref. No.	SL4212 SL4212 + connettori
description	PCB dough rolling machine FI/M-FIP 32/42 L 93mm W 81mm 230V 50/60Hz		
spare parts for	403585		
	GEV No.	Ref. No.	—
	PCB terminal block 10-pole raster size 5mm		



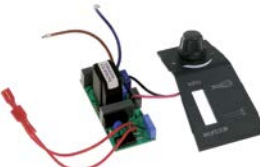
1

GEV No.	402221	Ref. No.	SL2990
description	PCB dough rolling machine FI32-FI42 L 95mm W 80mm 230V 50/60Hz		
For models:	FI32, FI42, FIP42		


1

GEV No.	692027	Ref. No.	CO1931
description	PCB dough rolling machine STP30/40 new edition 230V		
For models:	FI30, FI40, FIP30, FIP40, FP30, FP40, FPP30, FPP40		




1

GEV No.	402045	Ref. No.	SA3600
description	PCB hand blenders FM3 with potentiometer 230V		
For models:	FM3		




1

GEV No.	697908	Ref. No.	SA1121 SL0883 SL0883 con connettori
description	PCB L 102mm W 95mm 50/60Hz 230/400V		
For models:	2000, AB12AT, AB12ATQ0, AB12L, AB12LQ0, AB12R, AB12T, AB12TQ0, AB22AE, AB22AEQ0, ABGC, ABGCP, CAFFES, GR12S, IM12C, IM12E, IM12S, IM18E, IM18S, IM25E, IM25S, IM38E, IM38S, IM7S, IP10, IP20, SI320, SI420, SI520, TR12C, TR12CQ0, TR12S, TR12SQ0, TR12TS, TR12TSQ0, TR22C, TR22CQ0, TR22TE, TR22TEQ0		




1

GEV No.	403022	Ref. No.	SL2997
description	PCB L 73mm W 55mm with potentiometer		
For models:	FX40, MX40		




1

GEV No.	402293	Ref. No.	SL0756
description	PCB L 80mm W 35mm with potentiometer 230V voltage AC		
For models:	FM3		




1

GEV No.	403504	Ref. No.	SL0556
description	PCB meat mincer/cheese grater GR 12S suitable for FIMAR 230V		
For models:	2200, ABGC, ABGCP, GR12S, SE2200		



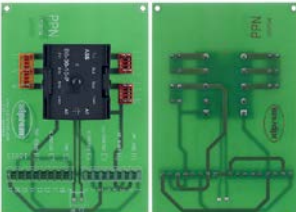
1

GEV No.	403556	Ref. No.	SL3436
description	PCB meat mincer/cheese grater GR 12S suitable for FIMAR 400V		
For models:	GR12S		



1


GEV No.	403575	Ref. No.	CO3924
description	PCB slicer L 128mm W 43mm 230-400V		
For models:	H300, H330, H350, H370, HL250, HL275, HL300, H5300, K300, K330, K350, K370, V300, V330, V350, V370		



1


GEV No.	402826	Ref. No.	SL2921
description	power PCB for potato peeler device L 150mm W 100mm		
For models:	LCF10M, LCF18M, LCF5, LCN10, LCN10M, LCN18, LCN18M, LCN5, PLN10, PLN18, PLN5, PPF10M, PPF18M, PPF25, PPF5, PPN10, PPN10M, PPN18, PPN18M, PPN25, PPN5		

central units



1

GEV No.	347913	Ref. No.	SA1220
description	control box 230/240V		
For models:	IM12C, IM12CN, IM12F, IM12FN, IM12S, IM12SN, IM18C, IM18CN, IM18F, IM18FN, IM18S, IM18SN, IM25C, IM25CN, IM25F, IM25FN, IM25S, IM25SN, IM38C, IM38CN, IM38F, IM38FN, IM38S, IM38SN, IM7S, IM7SN		




1

GEV No.	346589	Ref. No.	SL0935
description	control box 230V		
For models:	IM12C, IM12E, IM12F, IM12S, IM18C, IM18E, IM18F, IM18S, IM20L, IM25C, IM25E, IM25F, IM25S, IM30L, IM38C, IM38E, IM38F, IM38S, IM7S		




1

GEV No.	346590	Ref. No.	SL0934
description	control box 400V		




1

GEV No.	348170	Ref. No.	SA1210
description	control box 400V		
For models:	IM12C, IM12CN, IM12F, IM12FN, IM12S, IM12SN, IM18C, IM18CN, IM18F, IM18FN, IM18S, IM18SN, IM25C, IM25CN, IM25F, IM25FN, IM25S, IM25SN, IM38C, IM38CN, IM38F, IM38FN, IM38S, IM38SN, IM50C, IM50CN, IM50F, IM50FN, IM50S, IM50SN, IM7S, IM7SN		




1

GEV No.	346591	Ref. No.	SL0952
description	control box 400V 2 speeds		
For models:	IM12C, IM12E, IM12F, IM12S, IM18C, IM18E, IM18F, IM18S, IM25C, IM25E, IM25F, IM25S, IM38C, IM38E, IM38F, IM38S, IM7S		



1

GEV No.	699001	Ref. No.	SA1250
description	control box complete for vegetable slicer 230V		




1

GEV No.	402541	Ref. No.	SA1240 SL0954
description	control box complete vegetable slicers 380/400V		
For models:	2000, TV2000, TV2000R, TV3000		


keypads

front foils



1

GEV No.	518670	Ref. No.	SL4125
description	keypad foil for dough mixer L 100mm W 60mm		



1

GEV No.	511927	Ref. No.	37M1610 SL1504
description	keypad foil for potato peeler device silver L 175mm W 61mm buttons 3		
For models:	LCF10, LCF10M, LCF18, LCF18M, LCN10, LCN10M, LCN18, LCN18M, PPF10, PPF10M, PPF18, PPF18M, PPN10, PPN10M, PPN18, PPN18M		



fans

axial fans

import



GEV No.	601604 ¹	Ref. No.	SL3263
description	axial fan L 119mm W 119mm H 38mm 230VAC 50/60Hz 17/15W bearing slide bearing manuf. no. AA1282HS-AT connection cable 300mm fan wheel ø 110mm temp.-resist. 70°C input current 0.1A airflow 130m ³ /h 2600rpm		

¹with slide bearings



refrigeration fans

refrigeration motors universal

ebm-papst

miscellaneous



GEV No.	601783	Ref. No.	CO0143
description	fan motor 10W 230V 50/60Hz L3 87mm W 67mm cable length 400mm 1300rpm ebm-papst M4Q045-CA03-51/C18 3 mounting options bearing slide bearing for refrigerated counters		
spare parts for	601783		
	GEV No.	601413	Ref. No. —
accessories for	601783		
	GEV No.	601385	Ref. No. —
description	fan wheel sucking ø 172mm fan wheel mounting 25.4mm blade angle 34° W 42mm aluminium		

motors

gear motors


for grills



GEV No.	499209	Ref. No.	CO0685
description	gear motor KENTA type K9113069 23W 230V 50Hz 2.5rpm shaft ø 6x8mm L 108mm W 58mm H 66mm		
For models:	RW8		

for dough mixers



GEV No.	501522	Ref. No.	SL3295
description	gear motor 2200W 230-400V voltage AC 50Hz 1420rpm L 520mm W 250mm H 260mm		
For models:	IM50CN, IM50FN, IM50SN		
spare parts for	501522		
	GEV No.	521180	Ref. No. SL4309
description	fanwheel cover ø 195mm H 100mm		

miscellaneous

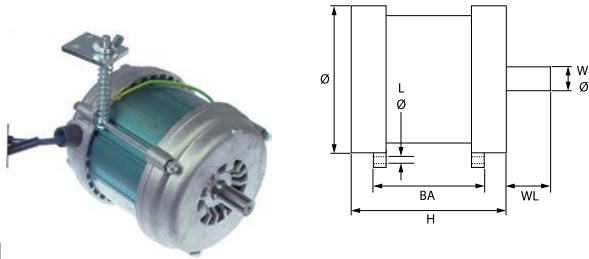


GEV No.	500489	Ref. No.	CO1680
description	gear motor CROUZET type 80804011 24V 4.6rpm shaft ø 0.88mm L 92mm W 64mm H 97mm for toaster		
For models:	TOC, TOCS		



motors

for slicers



1

GEV No.	500917	Ref. No.	CO4145
description	motor 230V 370W 1 phase shaft ø 15mm shaft length 31mm ø 150mm H 145mm 300-330-350		
For models:	H330, H350, H370, HL300, K330, K350, K370		

for bar blender



1

GEV No.	499202	Ref. No.	CO1665
description	motor for mixer 230V 50Hz 1 phase shaft ø 10mm shaft length 125mm H 117mm L 70mm W 62mm		
For models:	FR1G, FR1P, FR2G, FR2P		

for cutters




1

GEV No.	500887	Ref. No.	SL0939
description	motor 2 speeds 600/800W 400V 50Hz 3 phase shaft ø 14mm flange ø 160mm 1400/2800rpm type DN80B2/4 ø 150mm H 200mm L 230mm MOTORI ELETTRICI 0.6/0.8kW		
For models:	CL5, CL8, IM12C, IM12E, IM12F, IM12S, IM18C, IM18E, IM18F, IM18S, IM7S		



1

GEV No.	500886	Ref. No.	SL0040
description	motor 230/400V 50Hz 1400rpm type 80 3 phase shaft ø 14mm ø 150mm H 200mm L 230mm flange ø 160mm 750W 0.75kW		
For models:	CL3, CL5, CL8, IM12C, IM12E, IM12F, IM12S, IM18C, IM18E, IM18F, IM18S, IM30L, IP20, PPF10, PPF10M, PPN10, PPN10M, PPN18M		



1

GEV No.	500885	Ref. No.	SL0041
description	motor 750W 230V 50Hz 1 phase shaft ø 14mm flange ø 160mm 1400rpm type MN80C/4 ø 150mm H 200mm L 230mm ICME 0.75kW		
For models:	CL3, CL5, CL8, IM12C, IM12E, IM12F, IM12S, IM18C, IM18E, IM18F, IM18S, IM30L, PPF10, PPF10M, PPN10, PPN10M, PPN18M		

for meat mincers

rotors




1

GEV No.	697311	Ref. No.	SA6800
description	rotor ø 89.2mm shaft ø 25mm shaft length 220mm Mod.22 meat mincer/cheese grater		
For models:	AB22A, TR22S		

for vegetable slicers




1

GEV No.	499331	Ref. No.	SL6035	
description	motor 230V 50Hz shaft ø 17mm shaft length 42mm ø 113mm H 200mm mounting distance 72mm FI/FIP/FIM from serial no. 150300069 capacitor 16µF			
spare parts for	499331			
	GEV No.	365021	Ref. No.	SL0177
	operating capacitor capacity 16µF 425V tolerance 5% 50/60Hz ambient temperature max. -25 to +85°C ø 35mm L 73mm single M8 plastic connection male faston 6.3mm 416.10.99 protection			




1

GEV No.	499254	Ref. No.	SL1470
description	motor 450W 230V 50Hz 1 phase shaft ø 14mm flange ø 160mm 1320rpm type MYT 712-4 ø 140mm H 180mm L 220mm 0.45kW		
For models:	2000, FI32, FI40, FI42, FIP40, FIP42, FNT, FP40, FPP40, PPF5, PPN5, TV2000, TV2000R, TV2500, TV3000, TV4000		


1

GEV No.	499347	Ref. No.	SL1470 (old version)
description	motor 450W 230V 50Hz 1 phase shaft ø 14mm flange ø 160mm 1360rpm type M71B4 ø 140mm H 180mm L 220mm ICME 0.45kW		




1

GEV No.	499041	Ref. No.	SL1470 old version
description	motor up to serial no. 150300068 450W 230V 50Hz 1 phase shaft ø 14mm flange ø 160mm 1360rpm type MN71C/4 B5 ø 140mm H 180mm L 220mm ICME 0.45kW		



1

GEV No.	500712	Ref. No.	CO2114
description	motor 400V 50Hz 3 phase shaft ø 10mm shaft length 21mm 1400rpm ø 120mm H 170mm mounting distance 136mm PP4 Expo		
For models:	PL4		



1


GEV No.	500714	Ref. No.	CO2116
description	motor 400V 50Hz 3 phase shaft ø 12mm shaft length 23mm 1400rpm mounting distance 188mm PP8 Expo		
For models:	PL8		

for potato peelers



1

GEV No.	500711	Ref. No.	CO2115
description	motor 230V 50Hz 1 phase shaft ø 10mm shaft length 21mm 1400rpm ø 120mm H 170mm mounting distance 136mm PP4 Expo		
For models:	PL4		



1

GEV No.	500713	Ref. No.	CO2117
description	motor 230V 50Hz 1 phase shaft ø 12mm shaft length 23mm 1400rpm type RG08260A mounting distance 188mm PP8 Expo		
For models:	PL8		

for hand blenders

motors



1

GEV No.	698373	Ref. No.	SL2899
description	motor for hand blender 230V 50Hz shaft ø 8mm mounting distance 55mm H 150mm		
For models:	FX40, FX42S, MX40, MX42S		


accessories



1


GEV No.	697415	Ref. No.	SL2815
description	carbon brush rectangular L 18mm W 8mm H 6mm FM3 Qty 1 pcs		
For models:	FM3		

universal





1

GEV No.	499224	Ref. No.	SL1041
description	motor 1100W 230/400-275/480V 50/60Hz 3 phase flange ø 160mm 1410/1710rpm type T90S4T L 280mm shaft ø 14x16mm for dough mixer 4.5/2.6-4.0/2.3A		
For models:	IM25SE, IM25SM, IM35SE, IM35SM, PPF18M, PPN10M, PPN18, PPN18M		




1

GEV No.	500888	Ref. No.	SL0090	
description	motor 1100W 230V 50Hz 1 phase shaft ø 19mm flange ø 160mm 1400rpm type M905B ø 180mm H 220mm L 250mm ICME 1.1kW			
For models:	IM25C, IM25E, IM25F, IM25S			
spare parts for	500888			
	GEV No.	365018	Ref. No.	—
	 operating capacitor capacity 35µF 400V tolerance 5%Hz ambient temperature max. -25 to +85°C ø 45mm L 95mm M8 plastic connection male faston 6.3mm protection			





1

GEV No.	499205	Ref. No.	SL3311
description	motor 1500/1800W 230/400-277/480V 50/60Hz 3 phase shaft ø 24/27mm flange ø 139mm 1400/1680rpm type TN90L/4 ø 160mm H 222mm L 280mm DRdrives 1.5/1.8kW		
For models:	IM25CN, IM25FN, IM25SN, IM38CN, IM38FN, IM38SN		




1

GEV No.	500891	Ref. No.	SL0092	
description	motor 1500W 230V 50Hz 1 phase shaft ø 19mm flange ø 160mm 1400rpm type M90L4 ø 180mm H 220mm L 280mm ICME 1.5kW			
For models:	IM38C, IM38E, IM38F, IM38S			
spare parts for	500891			
	GEV No.	365022	Ref. No.	—
	 operating capacitor capacity 40µF 400V tolerance 5%Hz ambient temperature max. -25 to +85°C ø 45mm L 95mm M8 plastic connection male faston 6.3mm protection			



1


GEV No.	500890	Ref. No.	SL0940
description	motor 2 speeds 1000/1400W 400V 50Hz 3 phase shaft ø 19mm flange ø 160mm 1400/2800rpm type DN90S2/4 ø 180mm H 220mm L 260mm MOTORI ELETTRICI 1/1.4kW		
For models:	IM25C, IM25E, IM25F, IM25S		



1

Image not available

GEV No.	500895	Ref. No.	SL2718 SL3010
description	motor 2 speeds 400V 50Hz 1400/2800rpm type 100 3 phase shaft ø 24mm flange ø 200mm 2600/3370W 2.6/3.37kW		
For models:	IM50C, IM50F, IM50S		




1

GEV No.	500893	Ref. No.	SL0919
description	motor 2 speeds 400V 50Hz 1400/2800rpm type 90L 3 phase shaft ø 19mm ø 180mm H 220mm L 280mm flange ø 160mm 1300/1700W 1.3/1.7kW		
For models:	IM38C, IM38E, IM38F, IM38S		





1

GEV No.	500887	Ref. No.	SL0939
description	motor 2 speeds 600/800W 400V 50Hz 3 phase shaft ø 14mm flange ø 160mm 1400/2800rpm type DN80B2/4 ø 150mm H 200mm L 230mm MOTORI ELETTRICI 0.6/0.8kW		
For models:	CL5, CL8, IM12C, IM12E, IM12F, IM12S, IM18C, IM18E, IM18F, IM18S, IM7S		




1

GEV No.	500889	Ref. No.	SL0089
description	motor 230/400V 50Hz 1400rpm type 90 3 phase shaft ø 19mm ø 180mm H 220mm L 250mm flange ø 160mm 1100W 1.1kW		
For models:	IM25C, IM25E, IM25F, IM25S, PPF25, PPN25		



1


GEV No.	500894	Ref. No.	SL2643
description	motor 230/400V 50Hz 1400rpm type 100 3 phase shaft ø 24mm flange ø 200mm 2200W 2.2kW		
For models:	IM50C, IM50F, IM50S		



1

Image not available


GEV No.	500892	Ref. No.	SL0091
description	motor 230/400V 50Hz 1400rpm type 90 3 phase shaft ø 19mm ø 180mm H 220mm L 260mm flange ø 160mm 1500W 1.5kW		
For models:	IM38C, IM38E, IM38F, IM38S		



1


Image not available

GEV No.	500884	Ref. No.	SL1120
description	motor 230/400V 50Hz 1400rpm type 71 3 phase shaft ø 11mm ø 140mm H 180mm L 220mm flange ø 140mm 370W 0.37kW		
For models:	IM20L, IM7S, IP10		



1


GEV No.	500883	Ref. No.	SL1112	
description	motor 370W 230V 50Hz 1 phase shaft ø 11mm flange ø 140mm 1400rpm type M71BL4 ø 140mm H 180mm L 220mm ICME 0.37kW			
For models:	IM20L, IM7S			
spare parts for	500883			
	GEV No.	365014	Ref. No.	—
	operating capacitor capacity 12.5µF 450V tolerance 5%Hz ambient temperature max. -25 to +85°C ø 35mm L 70mm M8 plastic connection male faston 6.3mm 45S.C3DS.12.5 protection			



1

Image not available

GEV No.	500886	Ref. No.	SL0040
description	motor 230/400V 50Hz 1400rpm type 80 3 phase shaft ø 14mm ø 150mm H 200mm L 230mm flange ø 160mm 750W 0.75kW		
For models:	CL3, CL5, CL8, IM12C, IM12E, IM12F, IM12S, IM18C, IM18E, IM18F, IM18S, IM30L, IP20, PPF10, PPF10M, PPN10, PPN10M, PPN18M		



1

GEV No.	499254	Ref. No.	SL1470
description	motor 450W 230V 50Hz 1 phase shaft ø 14mm flange ø 160mm 1320rpm type MYT 712-4 ø 140mm H 180mm L 220mm 0.45kW		
For models:	2000, FI32, FI40, FI42, FIP40, FIP42, FNT, FP40, FPP40, PPF5, PPN5, TV2000, TV2000R, TV2500, TV3000, TV4000		



1

GEV No.	499347	Ref. No.	SL1470 (old version)
description	motor 450W 230V 50Hz 1 phase shaft ø 14mm flange ø 160mm 1360rpm type M71B4 ø 140mm H 180mm L 220mm ICME 0.45kW		



1

GEV No.	500473	Ref. No.	SL3309
description	motor 750W 230/400V 50Hz 3 phase shaft ø 19mm flange ø 120mm 1400rpm type FS80B4 ø 150mm H 200mm L 240mm ICME 0.75kW		
For models:	IM12CN, IM12FN, IM12SN, IM18CN, IM18FN, IM18SN		



1

GEV No.	500885	Ref. No.	SL0041
description	motor 750W 230V 50Hz 1 phase shaft ø 14mm flange ø 160mm 1400rpm type MN80C/4 ø 150mm H 200mm L 230mm ICME 0.75kW		
For models:	CL3, CL5, CL8, IM12C, IM12E, IM12F, IM12S, IM18C, IM18E, IM18F, IM18S, IM30L, PPF10, PPF10M, PPN10, PPN10M, PPN18M		



1

GEV No.	499041	Ref. No.	SL1470 old version
description	motor up to serial no. 150300068 450W 230V 50Hz 1 phase shaft ø 14mm flange ø 160mm 1360rpm type MN71C/4 B5 ø 140mm H 180mm L 220mm ICME 0.45kW		



1

GEV No.	499224	Ref. No.	SL1041
description	motor 1100W 230/400-275/480V 50/60Hz 3 phase flange ø 160mm 1410/1710rpm type T9054T L 280mm shaft ø 14x16mm for dough mixer 4.5/2.6-4.0/2.3A		
For models:	IM25SE, IM25SM, IM35SE, IM35SM, PPF18M, PPN10M, PPN18, PPN18M		



1

GEV No.	500895	Ref. No.	SL2718 SL3010
description	motor 2 speeds 400V 50Hz 1400/2800rpm type 100 3 phase shaft ø 24mm flange ø 200mm 2600/3370W 2.6/3.37kW		
For models:	IM50C, IM50F, IM50S		



1

GEV No.	500893	Ref. No.	SL0919
description	motor 2 speeds 400V 50Hz 1400/2800rpm type 90L 3 phase shaft ø 19mm ø 180mm H 220mm L 280mm flange ø 160mm 1300/1700W 1.3/1.7kW		
For models:	IM38C, IM38E, IM38F, IM38S		



1

GEV No.	500894	Ref. No.	SL2643
description	motor 230/400V 50Hz 1400rpm type 100 3 phase shaft ø 24mm flange ø 200mm 2200W 2.2kW		
For models:	IM50C, IM50F, IM50S		



1

Image not available


GEV No.	500884	Ref. No.	SL1120
description	motor 230/400V 50Hz 1400rpm type 71 3 phase shaft ø 11mm ø 140mm H 180mm L 220mm flange ø 140mm 370W 0.37kW		
For models:	IM20L, IM7S, IP10		

2

Image not available

GEV No.	500886	Ref. No.	SL0040
description	motor 230/400V 50Hz 1400rpm type 80 3 phase shaft ø 14mm ø 150mm H 200mm L 230mm flange ø 160mm 750W 0.75kW		
For models:	CL3, CL5, CL8, IM12C, IM12E, IM12F, IM12S, IM18C, IM18E, IM18F, IM18S, IM30L, IP20, PPF10, PPF10M, PPN10, PPN10M, PPN18M		

1



GEV No.	500889	Ref. No.	SL0089
description	motor 230/400V 50Hz 1400rpm type 90 3 phase shaft ø 19mm ø 180mm H 220mm L 250mm flange ø 160mm 1100W 1.1kW		
For models:	IM25C, IM25E, IM25F, IM25S, PPF25, PPN25		

1

Image not available

GEV No.	500892	Ref. No.	SL0091
description	motor 230/400V 50Hz 1400rpm type 90 3 phase shaft ø 19mm ø 180mm H 220mm L 260mm flange ø 160mm 1500W 1.5kW		
For models:	IM38C, IM38E, IM38F, IM38S		

condensators & interference suppression filters

operating capacitors

plastic

1



GEV No.	365021	Ref. No.	SL0177
description	operating capacitor capacity 16µF 425V tolerance 5% 50/60Hz ambient temperature max. -25 to +85°C ø 35mm L 73mm single M8 plastic connection male faston 6.3mm 416.10.99 protection		
For models:	AB12AT, AB12ATQ0, AB12L, AB12LQ0, AB12R, AB12T, AB12TQ0, AB22AE, AB22AEQ0, ABGC, ABGCP, CAFFES, GR12S, IM12C, TR12C, TR12CQ0, TR12S, TR12SQ0, TR12TS, TR12TSQ0		

1




GEV No.	365013	Ref. No.	CO3942
description	operating capacitor capacity 8µF 400V tolerance 5%Hz ambient temperature max. -25 to +85°C ø 31.5mm L 55mm M8 plastic connection male faston 6.3mm protection		
For models:	G350, G370, H220, H250, H275, H300, H330, H350, H370, HL250, HL275, HL300, HS250, HS300, K300, K330, K350, K370, V250, V300, V330, V350, V370, V380		

gas taps

PEL

21S series

1






GEV No.	101095	Ref. No.	CO3139	
description	gas tap PEL type 21S gas inlet M16x1.5 (tube ø 10mm) bypass nozzle ø 0.35mm gas outlet M16x1.5 (tube ø 10/8mm) thermocouple connection M8x1 pilot connection M10x1 shaft ø 8x6.5mm shaft L 22/15mm shaft flat lower			
For models:	B115, B50, B80			
spare parts for	101095			
	GEV No.	100408	Ref. No.	—
	bypass nozzle type PEL20/21 bore ø 0.35mm thread M5x0.5			
	GEV No.	101060	Ref. No.	—
	magnet unit standard L 39mm D1 ø 15.4mm D2 ø 11mm suitable for PEL20-21/JUNKERS/EGA			
	GEV No.	101206	Ref. No.	—
	gas tap front part shaft ø 8x6.5mm shaft L 22/15mm shaft flat upper/lower suitable for PEL21			

Table continues overleaf

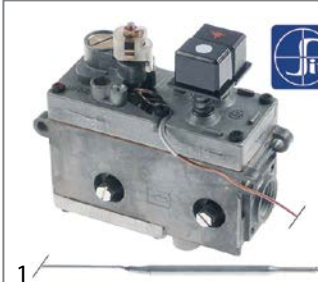



spare parts for		101095	
	GEV No.	101230	Ref. No. —
thermocouple nut T1: M8x1 T2: M18x1 aluminium			
accessories for		101095	
	GEV No.	100908	Ref. No. —
union screw thread M10x1 for pipe ø 4mm Qty 1 pcs			
	GEV No.	100909	Ref. No. —
union screw thread M10x1 for pipe ø 6mm Qty 1 pcs			
	GEV No.	101246	Ref. No. —
olive for pipe ø 4mm Qty 1 pcs			
	GEV No.	101278	Ref. No. —
olive for pipe ø 10mm Qty 1 pcs			
	GEV No.	101286	Ref. No. —
olive ID ø 6mm Qty 1 pcs			
	GEV No.	101300	Ref. No. —
union nut thread M16x1.5 tube ø 10mm			
	GEV No.	101450	Ref. No. —
olive for pipe ø 8mm L 12.7mm Qty 1 pcs ED ø 10mm			
	GEV No.	101451	Ref. No. —
union nut thread M16x1.5 tube ø 8mm			
	GEV No.	110081	Ref. No. —
knob ø 70mm shaft ø 8x6.5mm shaft flat universal			
	GEV No.	112206	Ref. No. —
knob dial plate silver gas tap PEL21/22/23 t.max.°C ED ø 63mm ID ø 45.5mm			

gas thermostats

SIT

710 Minisit series



GEV No.	101135	Ref. No.	CO0767
description	gas thermostat SIT type MINISIT 710 t.max. 190°C 110-190°C gas inlet 1/2" gas outlet 3/8" thermocouple connection M9x1 pilot connection M10x1 probe ø 6mm probe L 102mm capillary pipe 1050mm probe type type A3 pressure controller no pressure regulator mbar gland nut		
For models:	SF10DM, SF10M		
spare parts for		101135	
	GEV No.	101053	Ref. No. —
magnet unit T1: M9x1 T2: M24x1 L 45mm ø 17mm suitable for Minisit			


spare parts for		101135	
	GEV No.	102118	Ref. No. —
probe 110-190°C probe ø 6mm probe L 102mm capillary pipe 1050mm t.max. 190°C fryer probe type type A3 suitable for MINISIT 710			
accessories for		101135	
	GEV No.	100809	Ref. No. —
O-ring EPDM thickness 2mm ID ø 21mm Qty 1 pcs			
	GEV No.	100820	Ref. No. —
gland duct ET M14x1.5 IT M10x0.75 probe ø max. 6.5mm WS 22			
	GEV No.	100904	Ref. No. —
locking screw M10x1 for pipe ø 4mm Qty 1 pcs			
	GEV No.	100905	Ref. No. —
locking screw M10x1 for pipe ø 6mm Qty 1 pcs			
	GEV No.	101054	Ref. No. —
magnet unit T1: M10x1 T2: M24x1 L 45mm ø 17mm suitable for Minisit			
	GEV No.	101136	Ref. No. —
piezoelectric igniter suitable for Minisit with cover cap ømm connection F6.3x0.8			
	GEV No.	101137	Ref. No. —
cover cap without piezoelectric igniter			
	GEV No.	101267	Ref. No. —
reducer IT 3/8" ET 1/2" L 21mm			
	GEV No.	101268	Ref. No. —
gas connection thread 3/8" angled with O-ring MINISIT 710			
	GEV No.	101269	Ref. No. —
gas connection thread 1/2" angled with O-ring MINISIT 710			
	GEV No.	101270	Ref. No. —
screw connection IT 3/8" ET 3/8" L 28mm			
	GEV No.	101272	Ref. No. —
screw connection IT 1/2" ET 3/8" L 57mm			
	GEV No.	101273	Ref. No. —
olive for pipe ø 12mm L 9.5mm brass Qty 1 pcs suitable for universal			
	GEV No.	101274	Ref. No. —
olive for pipe ø 16mm Qty 1 pcs			
	GEV No.	101275	Ref. No. —
union screw thread 1/2" for pipe ø 16mm Qty 1 pcs			
	GEV No.	101276	Ref. No. —
union screw thread 3/8" tube ø 12mm Qty 1 pcs			
	GEV No.	110068	Ref. No. —
knob suitable for Minisit ø 37mm			



SABAF



1


GEV No.	101687	Ref. No.	CO2279
description	gas thermostat SABAF t.max. 300°C gas inlet pipe flange ø16mm bypass nozzle ø 0.37mm gas outlet M13x1 IT (tube ø 8mm) gas outlet 2 thermocouple connection M8x1 pilot connection capillary pipe 850mm probe ø 4mm probe L 140mm shaft ø 8x6.5mm shaft L 17/12mm shaft flat lower		
For models:	CR400G1, CR400G2		
accessories for	101687		
	GEV No.	101277	Ref. No. —
	olive ID ø 8mm Qty 1 pcs		
	GEV No.	101376	Ref. No. —
	gasket ID ø 8mm ED ø 12mm H 3/5mm		
	GEV No.	101477	Ref. No. —
	union screw thread M13x1 tube ø 8mm Qty 1 pcs		
	GEV No.	101751	Ref. No. —
	bracket		

ignition parts

pilot burners

SIT

100 series

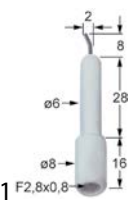


1

GEV No.	103290	Ref. No.	CO4715
description	pilot burner SIT type 100 series 3 flames kit		
For models:	GL70		


producer-specific pilot burners

FIMAR






1

GEV No.	100768	Ref. No.	CO3106
description	ignition electrode D1 ø 6mm connection F 2.8x0.8mm D2 ø 8mm L1 8mm L2 2mm BL1 28mm BL2 16mm to clip		
For models:	B115, B50, B80		



1

GEV No.	100149	Ref. No.	CO3108
description	pilot burner bracket		
For models:	B115, B50, B80		
accessories for	100149		
	GEV No.	100141	Ref. No. CO3107
	pilot burner cap		
	GEV No.	100161	Ref. No. CO3151
	pilot burner nozzle bore ø 0.2mm		
	GEV No.	100768	Ref. No. CO3106
	ignition electrode D1 ø 6mm connection F 2.8x0.8mm D2 ø 8mm L1 8mm L2 2mm BL1 28mm BL2 16mm to clip		



1

GEV No.	100141	Ref. No.	CO3107
description	pilot burner cap		
For models:	B115, B50, B80		
accessories for	100141		
	GEV No.	100149	Ref. No. CO3108
	pilot burner bracket		
	GEV No.	100161	Ref. No. CO3151
	pilot burner nozzle bore ø 0.2mm		
	GEV No.	100163	Ref. No. CO3150
	pilot burner nozzle bore ø 0.3mm		
	GEV No.	100768	Ref. No. CO3106
	ignition electrode D1 ø 6mm connection F 2.8x0.8mm D2 ø 8mm L1 8mm L2 2mm BL1 28mm BL2 16mm to clip		

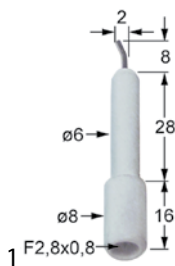


GEV No.	100161	Ref. No.	CO3151
description	pilot burner nozzle bore \varnothing 0.2mm		
For models:	B115, B50, B80		



GEV No.	100163	Ref. No.	CO3150
description	pilot burner nozzle bore \varnothing 0.3mm		
For models:	B115, B50, B80		

electrodes



GEV No.	100768	Ref. No.	CO3106
description	ignition electrode D1 \varnothing 6mm connection F 2.8x0.8mm D2 \varnothing 8mm L1 8mm L2 2mm BL1 28mm BL2 16mm to clip		
For models:	B115, B50, B80		

ignition cables

pre-assembled cables



GEV No.	100179	Ref. No.	CO3130
description	ignition cable cable length 1200mm connection F2.8mm / \varnothing 2.4mm		
For models:	B115, B80		



GEV No.	100015	Ref. No.	CO4714
description	ignition cable cable length 600mm connection \varnothing 2.4mm / \varnothing 2.4mm		
For models:	GL70		

piezoelectric igniters

mounting diameter 18mm



GEV No.	100009	Ref. No.	CO3119
description	piezoelectric igniter body plastic blowing mounting \varnothing 18mm connection \varnothing 2.4mm front measurements 26mm M18x1.5		
For models:	B115, B50, B80		

accessories for	100009			
	GEV No.	101339	Ref. No.	—
cover cap for piezoelectric igniter				
	GEV No.	106869	Ref. No.	—
cover cap for piezoelectric igniter ID \varnothing 22mm ED \varnothing 35mm H 25mm				
	GEV No.	107931	Ref. No.	—
cover cap for piezoelectric igniter ID \varnothing 21mm ED \varnothing 36mm				

mounting diameter 22mm



GEV No.	100005	Ref. No.	CO0273
description	piezoelectric igniter body plastic blowing mounting \varnothing 22mm connection \varnothing 2.4mm cable lengthmm SIT		
For models:	GL70		

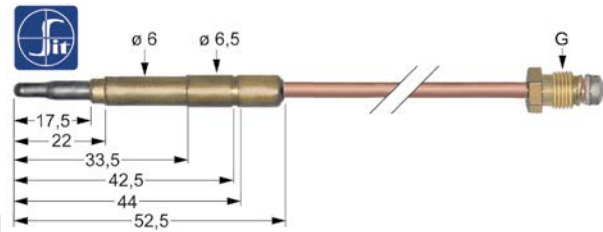
thermocouples

plug-in thermocouples

plug-in thermocouples standard

with barrel socket \varnothing 6(6.5)mm

thermocouples SIT



GEV No.	107603	Ref. No.	CO3161
description	thermocouple SIT M8x1 L 1000mm plug connection \varnothing 6.0(6.5)mm		
For models:	B115, B80		




GEV No.	107605	Ref. No.	CO3110
description	thermocouple SIT M8x1 L 1500mm plug connection ø6.0(6.5)mm		
For models:	B115		

GEV No.	107601	Ref. No.	CO3031
description	thermocouple SIT M8x1 L 600mm plug connection ø6.0(6.5)mm		
For models:	B115, B50, B80		

threaded thermocouples

threaded thermocouples standard

threaded thermocouples (miscellaneous)

GEV No.	102121	Ref. No.	CO2269
description	thermocouple M8x1 L 600mm M6x0.5		
For models:	CR400G1, CR400G2		
accessories for	102121		
	GEV No.	100892	Ref. No. —
	thermocouple nut thread M6x0.5 H 6.5mm WS 8 brass Qty 1 pcs		

gas burners

bar burners

bar burners

GEV No.	105380	Ref. No.	CO3100
description	bar burner ø 22mm Wmm Hmm L 540mm chargrill B50/B80		
For models:	B115, B50, B80		

GEV No.	105381	Ref. No.	CO3158
description	bar burner ø 25mm Wmm Hmm L 542mm chargrill B115		
For models:	B115		

GEV No.	105554	Ref. No.	CO5021 CO5022
description	bar burner ø 50mm Wmm Hmm L 520mm flange width 52mm flange ø 75mm pizza oven		
For models:	FGI4, FGI6, FGI9		

GEV No.	105862	Ref. No.	CO5023
description	bar burner ø 50mm Wmm Hmm L 800mm flange width 52mm flange ø 75mm mounting pos. lateral pizza oven		
For models:	FGI6, FGI9		

GEV No.	210166	Ref. No.	CO3126
description	chargrill grid L 540mm W 160mm		
For models:	B115, B50, B80		

GEV No.	211010	Ref. No.	CO2927
description	lava rock grid L 498mm W 320mm H 20mm		
For models:	B50, B80		



1

GEV No.	211011	Ref. No.	CO3128
description	lava rock grid L 500mm W 480mm H 20mm		
For models:	B115		

chargrill grids



1

GEV No.	210166	Ref. No.	CO3126
description	chargrill grid L 540mm W 160mm		
For models:	B115, B50, B80		

lava rock grids



1

GEV No.	211010	Ref. No.	CO2927
description	lava rock grid L 498mm W 320mm H 20mm		
For models:	B50, B80		



1

GEV No.	211011	Ref. No.	CO3128
description	lava rock grid L 500mm W 480mm H 20mm		
For models:	B115		

gas nozzles

main nozzles

gas nozzles M8x0.75



1

GEV No.	104071	Ref. No.	CO3142
description	gas injector thread M8x0.75 WS 11 bore ø 0.92mm		
For models:	B115, B50, B80		

pilot burner nozzles

pilot burner nozzles (other)

FIMAR



1

GEV No.	103286	Ref. No.	CO5739
description	pilot burner conversion kit natural gas		



1

GEV No.	100161	Ref. No.	CO3151
description	pilot burner nozzle bore ø 0.2mm		
For models:	B115, B50, B80		



1

GEV No.	100163	Ref. No.	CO3150
description	pilot burner nozzle bore ø 0.3mm		
For models:	B115, B50, B80		

auxiliary gas parts

consumables

lava rocks / ceramic briquetts



1

GEV No.	211008	Ref. No.	LAVAB50
description	lava rocks size ca.20-70mm Qty 5kg		
For models:	B115, B50, B80		



equipment-specific units

for slicers

covers



1

GEV No.	697888	Ref. No.	CO4496
description	blade covering ø 300mm for knife ø 250mm mounting thread M8 mounting ø 12		
For models:	H370, K370		

eccentric disc for slice thickness



1

GEV No.	698338	Ref. No.	CO3438
description	eccentrics for cutting thickness hole ø 12mm groove width 6mm ED ø 56mm thickness 22.7mm plastic		
For models:	G300, V300I		

blades

standard



1

GEV No.	697463	Ref. No.	CO2763
description	slicing machine blade ED ø 350mm seat ø 57mm 4 hole ID ø 280mm H 22.5mm 100Cr6 standard		
For models:	G350, H350, K350, V350		

grindstones



1

GEV No.	698198	Ref. No.	CO3901
description	grindstone ø 45mm thickness 9mm bore ø 6mm grained coarse with bevel, without hub		
For models:	H220, H250, H275, H300, H330, H350, H370, HL250, HL275, HL300, HS250, HS300, K300, K330, K350, K370, V250, VV300, VV350		

grindstones with hub



1

GEV No.	697424	Ref. No.	CO3444
description	grindstone ø 40mm thickness 8mm bore ø 6mm grained coarse with bevel, with hub		



1

GEV No.	697423	Ref. No.	CO3443
description	grindstone ø 40mm thickness 8mm bore ø 6mm grained fine with bevel, with hub		
For models:	G220, G250, G300, G350I, G370I, H220, H250, H275, H300, H330, H350, H370, HL300, HS250, HS300, V300I, V350I, V370I		



1

GEV No.	697358	Ref. No.	CO3900
description	grindstone ø 50mm thickness 8mm bore ø 6mm grained fine with bevel, with hub		
For models:	H220, H250, H275, H300, H330, H350, H370, HL250, HL275, HL300, HS250, HS300, K300, K330, K350, K370, V250, VV300, VV350		

carriages

handles



1

GEV No.	692322	Ref. No.	CO3959
description	pull handle L 132mm H 46mm mounting distance 115mm thread M6 W 30mm black		
For models:	H250, H275, H300, H330, H350, H370, HL250, HL275, HL300, HS250, HS300, V250		

for bandsaws

impellers



GEV No.	699590	Ref. No.	CO2371
description	impeller for motor disc ø 220mm shaft intake ø 17-19mm disc width 10mm overall width 34mm for bandsaw		
For models:	SE1830, SE1830Q0		

saw blades

width 16mm



GEV No.	699026	Ref. No.	SL4028
description	saw blade L 1550mm W 16mm thickness 0.5mm tooth spacing 6mm		
For models:	SE1550Q0		



GEV No.	699039	Ref. No.	SL3962
description	saw blade L 1830mm W 16mm thickness 0.5mm tooth spacing 6mm		
For models:	SE1830Q0		

width 20mm



GEV No.	697388	Ref. No.	SL2948
description	saw blade L 1550mm W 20mm thickness 0.5mm tooth spacing 6mm		
For models:	SE1550, SE1550Q0		



GEV No.	699083	Ref. No.	SL0310
description	saw blade L 1800mm W 20mm thickness 0.5mm tooth spacing 6mm		
For models:	2200, SE2200		



GEV No.	699085	Ref. No.	SL2949
description	saw blade L 1830mm W 20mm thickness 0.5mm tooth spacing 6mm		
For models:	SE1830, SE1830Q0		

miscellaneous



GEV No.	697918	Ref. No.	SL0352
description	insert for blade guide ø 34mm W 2mm H 11mm		
For models:	2200, SE2200		



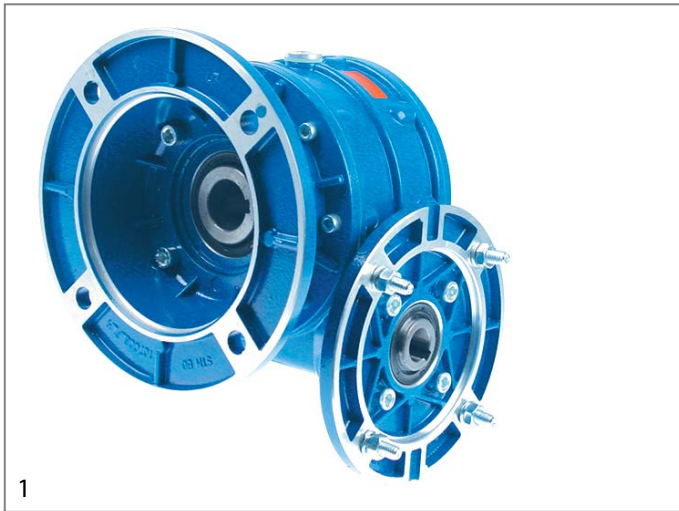
GEV No.	699591	Ref. No.	CO2347
description	insert ø 35/38mm H 8mm		
For models:	SE1550, SE1550Q0, SE1830, SE1830Q0		

for meat mincers

gearboxes



GEV No.	697275	Ref. No.	SL0042
description	gearbox motor shaft ø 14mm flange ø 160mm transmission 1/28 drive shaft ø 24mm flange ø1 160mm 12-18 S-C-F		
For models:	IM12C, IM12E, IM12F, IM12S, IM18C, IM18E, IM18F, IM18S, IM30L		



1

GEV No.	697276	Ref. No.	SL0093
description	gearbox motor shaft \varnothing 19mm flange \varnothing 160mm transmission 1/28 drive shaft \varnothing 28mm flange \varnothing 1 200mm type RMI 70FL 25-38 S-C-F		
For models:	IM25C, IM25E, IM25F, IM25S, IM38C, IM38E, IM38F, IM38S		



1

GEV No.	697277	Ref. No.	SL2642
description	gearbox motor shaft \varnothing 24mm flange \varnothing 200mm transmission 1/28 drive shaft \varnothing 32mm flange \varnothing 1 200mm type RMI 85FL 50 S-C-F		
For models:	IM50C, IM50F, IM50S		




1

GEV No.	699296	Ref. No.	KA240309-2
description	gearbox \varnothing 36mm H 60mm model K5		
For models:	K5, K50, K5W		


gear wheels

1




GEV No.	698205	Ref. No.	SL0125
description	gear wheel double \varnothing 32/70mm shaft intake \varnothing 15mm W 30mm teeth 18/41 splitting tooth width 14/11mm DIN/ISO Mod.12-22		
For models:	AB12AT, AB12ATQ0, AB12L, AB12LQ0, AB12R, AB12T, AB12TQ0, AB22AE, AB22AEQ0, IM12C, TR12C, TR12CQ0, TR12S, TR12SQ0, TR12TS, TR12TSQ0, TR22C, TR22CQ0, TR22TE, TR22TEQ0		

1




GEV No.	697310	Ref. No.	SL0243
description	gear wheel double \varnothing 49/100mm shaft intake \varnothing 17mm W 38mm teeth 21/47 tooth width 16/16mm Mod.22		
For models:	AB22A, TR22S		

1




GEV No.	697309	Ref. No.	SL0242
description	gear wheel \varnothing 105mm shaft intake \varnothing 25mm teeth 49 tooth width 13mm Mod.22		
For models:	AB22A, TR22S		

1




GEV No.	698285	Ref. No.	SL0128
description	gear wheel \varnothing 25mm shaft intake \varnothing 10mm teeth 13 splitting tooth width 20mm DIN/ISO AB groove width 0mm		
For models:	AB12AT, AB12ATQ0, AB12L, AB12LQ0, AB12R, AB12T, AB12TQ0, AB22AE, AB22AEQ0, IM12C, TR12C, TR12CQ0, TR12S, TR12SQ0, TR12TS, TR12TSQ0, TR22C, TR22CQ0, TR22TE, TR22TEQ0		

1



GEV No.	698286	Ref. No.	SL0130 SL0130FIM
description	gear wheel \varnothing 64mm shaft intake \varnothing 16mm teeth 40 splitting tooth width 13mm DIN/ISO groove width 0mm		
For models:	AB12AT, AB12ATQ0, AB12L, AB12LQ0, AB12R, AB12T, AB12TQ0, AB22AE, AB22AEQ0, BM11, IM12C, TR12C, TR12CQ0, TR12S, TR12SQ0, TR12TS, TR12TSQ0, TR22C, TR22CQ0, TR22TE, TR22TEQ0		

1



GEV No.	697240	Ref. No.	SL0044
description	sprocket-wheel DIN/ISO 05 B-1 splitting 8mm teeth 16 shaft intake \varnothing 20mm H 14mm 7-12-18 S-C-F		
For models:	IM12C, IM12E, IM12F, IM12S, IM18C, IM18E, IM18F, IM18S, IM20L, IM7S		



1

GEV No.	697257	Ref. No.	SL2646
description	sprocket-wheel DIN/ISO 06 B-1 splitting 3/8" teeth 110 shaft intake ø 80mm H 5mm 50 S-C-F		
For models:	IM50C, IM50CN, IM50F, IM50FN, IM50S, IM50SN		



1

GEV No.	697193	Ref. No.	SL0024
description	sprocket-wheel DIN/ISO 06 B-1 splitting 3/8" teeth 15 shaft intake ø 17mm H 25mm 7-12-18 S-C-F		
For models:	IM12C, IM12CN, IM12E, IM12F, IM12FN, IM12S, IM12SN, IM18C, IM18CN, IM18E, IM18F, IM18FN, IM18S, IM18SN, IM20L, IM7S, IM7SN		



1

GEV No.	697241	Ref. No.	SL0094
description	sprocket-wheel DIN/ISO 06 B-1 splitting 3/8" teeth 16 shaft intake ø 25mm H 28mm 25-38 S-C-F		
For models:	IM25C, IM25E, IM25F, IM25S, IM30L, IM38C, IM38E, IM38F, IM38S		



1

GEV No.	697242	Ref. No.	SL2645
description	sprocket-wheel DIN/ISO 06 B-1 splitting 3/8" teeth 20 shaft intake ø 30mm H 28mm 50 S-C-F		
For models:	IM50C, IM50F, IM50S		



1

GEV No.	697206	Ref. No.	SL0030
description	sprocket-wheel DIN/ISO 06 B-1 splitting 3/8" teeth 29 shaft intake ø 17mm H 28mm 7-12-18 S-C-F		
For models:	IM12C, IM12CN, IM12E, IM12F, IM12FN, IM12S, IM12SN, IM18C, IM18CN, IM18E, IM18F, IM18FN, IM18S, IM18SN, IM20L, IM7S, IM7SN		



1

GEV No.	697256	Ref. No.	SL0100
description	sprocket-wheel DIN/ISO 06 B-1 splitting 3/8" teeth 85 shaft intake ø 60mm H 5mm 25-38 S-C-F		
For models:	IM25C, IM25CN, IM25E, IM25F, IM25FN, IM25S, IM25SN, IM30L, IM38C, IM38CN, IM38E, IM38F, IM38FN, IM38S, IM38SN		



1

GEV No.	697209	Ref. No.	SL2691
description	sprocket-wheel DIN/ISO 08 B-1 splitting 1/2" teeth 15 shaft intake ø 20mm H 26mm 25-38 C-F edition until 08/2003		
For models:	IM25C, IM25F, IM30L, IM38C, IM38F		



1

GEV No.	697207	Ref. No.	SA8400
description	sprocket-wheel DIN/ISO 08 B-1 splitting 1/2" teeth 15 shaft intake ø 30mm H 85mm with spindle 25-38 S-C-F		
For models:	IM25C, IM25E, IM25F, IM25S, IM38C, IM38E, IM38F, IM38S		



1

GEV No.	697223	Ref. No.	SL0084
description	sprocket-wheel DIN/ISO 08 B-1 splitting 1/2" teeth 29 shaft intake ø 20mm H 30mm 25-38 S-C-F		
For models:	IM25C, IM25CN, IM25E, IM25F, IM25FN, IM25S, IM25SN, IM30L, IM38C, IM38CN, IM38E, IM38F, IM38FN, IM38S, IM38SN		



1

GEV No.	697214	Ref. No.	SL2733
description	sprocket-wheel DIN/ISO 10 B-1 splitting 5/8" teeth 15 shaft intake ø 25mm H 30mm 50 S-C-F		
For models:	IM50C, IM50CN, IM50F, IM50FN, IM50S, IM50SN		



1

GEV No.	697224	Ref. No.	SL2734
description	sprocket-wheel DIN/ISO 10 B-1 splitting 5/8" teeth 24 shaft intake ø 25mm H 30mm 50 S-C-F		
For models:	IM50C, IM50CN, IM50F, IM50FN, IM50S, IM50SN		

drive shafts


for blades



1


GEV No.	698291	Ref. No.	SL0822
description	drive shaft ENTERPRISE model 12 ø 9.5mm L 54mm thread M12x1.75 thread L 24mm		
For models:	AB12L, AB12R, AB12T, TR12S		




			
1			
GEV No.	698292	Ref. No.	SL2521
description	drive shaft ENTERPRISE model 12 ϕ 9.5mm L 67mm thread M12x1.75 D1 ϕ 18mm thread L 698mm		
For models:	AB12AT, AB12ATQ0, AB12L, AB12LQ0, AB12R, AB12T, AB12TQ0, IM12C, TR12C, TR12CQ0, TR12S, TR12SQ0, TR12TS, TR12TSQ0		


for augers

			
1			
GEV No.	697234	Ref. No.	SL2854
description	drive shaft D1 ϕ 20mm ϕ 24mm L 385mm 12-18 C-F D2 ϕ 17mm edition since 10/2003		
For models:	IM12C, IM12F, IM18C, IM18F		

			
1			
GEV No.	697233	Ref. No.	SL2611
description	drive shaft D1 ϕ 20mm ϕ 24mm L 458mm 12-18 C-F D2 ϕ 17mm edition until 10/2003		
For models:	IM12C, IM18C		

			
1			
GEV No.	697235	Ref. No.	SL2855
description	drive shaft D1 ϕ 25mm ϕ 28mm L 464mm 25 C-F D2 ϕ 20mm edition since 08/2003		
For models:	IM25C, IM25F		

			
1			
GEV No.	697238	Ref. No.	SL2612
description	drive shaft D1 ϕ 25mm ϕ 28mm L 530mm 25 C-F D2 ϕ 20mm edition until 08/2003		
For models:	IM25C, IM25F		

			
1			
GEV No.	697247	Ref. No.	SL2832
description	drive shaft D1 ϕ 30mm for coupling ϕ 25mm L 162mm 50 C		
For models:	IM50C, IM50CN, IM50F, IM50FN		

			
1			
GEV No.	697237	Ref. No.	SL2840
description	drive shaft D1 ϕ 30mm ϕ 32mm L 592mm 50 C-F D2 ϕ 25mm		
For models:	IM50C, IM50F		

			
1			
GEV No.	698289	Ref. No.	SL0140
description	drive shaft model 12 ϕ 16/17mm L 78mm		
For models:	AB12L, AB12LQ0, AB12R, AB12T, AB12TQ0, TR12S, TR12SQ0		

			
1			
GEV No.	697245	Ref. No.	SL2615
description	spindle D1 ϕ 20mm for coupling ϕ 17mm L 113mm 12-18 C-F		
For models:	IM12C, IM12CN, IM12F, IM12FN, IM18C, IM18CN, IM18F, IM18FN		

			
1			
GEV No.	698287	Ref. No.	SL0124
description	spindle ϕ 15mm L 30mm thread M14x1.5 total length 45mm		
For models:	AB12L, AB12LQ0, AB12R, AB12T, AB12TQ0, TR12S, TR12SQ0		

locking screws

locking screws




1

GEV No.	697138	Ref. No.	SL0138
description	locking screw thread M10 thread L 30mm		
For models:	AB12L, AB12LQ0, AB12R, AB12T, AB12TQ0, TR12S, TR12SQ0		

lids




1

GEV No.	698017	Ref. No.	SL2833
description	lid model 12-22 ø 100mm plastic mounting distance 85mm		
For models:	AB12AT, AB12ATQ0, AB12L, AB12LQ0, AB12R, AB12T, AB12TQ0, AB22AE, AB22AEQ0, AB22AT, AB22ATQ0, ABGC, CAFFES, GR12S, TR12S, TR12SQ0, TR12TS, TR12TSQ0, TR22TE, TR22TEQ0		
accessories for	698017		
	GEV No.	699592	Ref. No. SL2573
	plug for lid ø 75mm plastic for meat mincer/cheese grater		



1

GEV No.	699592	Ref. No.	SL2573
description	plug for lid ø 75mm plastic for meat mincer/cheese grater		
For models:	AB12AT, AB12ATQ0, AB12L, AB12LQ0, AB12R, AB12T, AB12TQ0, AB22AE, AB22AEQ0, AB22AT, AB22ATQ0, GR12S		
accessories for	699592		
	GEV No.	698017	Ref. No. SL2833
	lid model 12-22 ø 100mm plastic mounting distance 85mm		

gaskets



1

GEV No.	696800	Ref. No.	SL0232
description	shaft seal ID ø 30mm ED ø 52mm thickness 10mm type 22 for mincer		
For models:	AB22A, AB22AT, AB22ATQ0, TR22RG, TR22RS, TR22RSQ0, TR22RSQ1, TR22S, TR22TS, TR22TSQ0, TR22TSQ1		

grinder plates

ENTERPRISE

with 1 notch

with hub



1

GEV No.	696117	Ref. No.	PIA12110
description	grinder plate type ENTERPRISE size 12 hole ø 10mm with hub grooves 1 stainless steel ø 70mm		



1

GEV No.	696118	Ref. No.	PIA12112
description	grinder plate type ENTERPRISE size 12 hole ø 12mm with hub grooves 1 stainless steel ø 70mm		



1

GEV No.	696119	Ref. No.	PIA12114
description	grinder plate type ENTERPRISE size 12 hole ø 14mm with hub grooves 1 stainless steel ø 70mm		



1

GEV No.	696120	Ref. No.	PIA12116
description	grinder plate type ENTERPRISE size 12 hole ø 16mm with hub grooves 1 stainless steel ø 70mm		




1

GEV No.	696121	Ref. No.	PIA12118
description	grinder plate type ENTERPRISE size 12 hole ø 18mm with hub grooves 1 stainless steel ø 70mm		



1

GEV No.	696133	Ref. No.	PIA22116
description	grinder plate type ENTERPRISE size 22 hole ø 16mm with hub grooves 1 stainless steel ø 82mm		



1

GEV No.	696130	Ref. No.	PIA22110
description	grinder plate type ENTERPRISE size 22 hole ø 10mm with hub grooves 1 stainless steel ø 82mm		



1

GEV No.	696134	Ref. No.	PIA22118
description	grinder plate type ENTERPRISE size 22 hole ø 18mm with hub grooves 1 stainless steel ø 82mm		



1

GEV No.	696131	Ref. No.	PIA22112
description	grinder plate type ENTERPRISE size 22 hole ø 12mm with hub grooves 1 stainless steel ø 82mm		



1

GEV No.	696135	Ref. No.	PIA22120
description	grinder plate type ENTERPRISE size 22 hole ø 20mm with hub grooves 1 stainless steel ø 82mm		



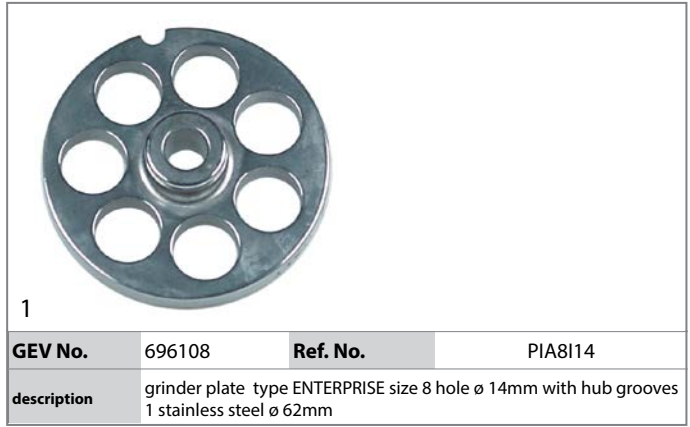
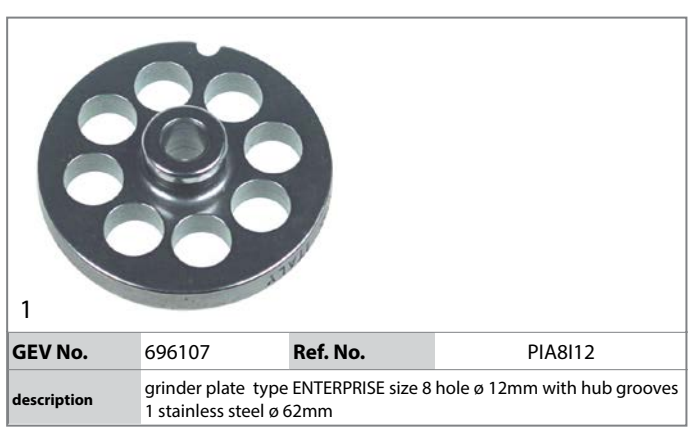
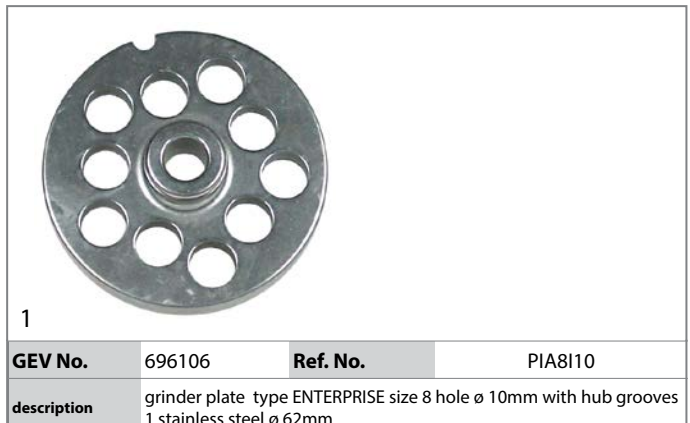
1

GEV No.	696132	Ref. No.	PIA22114
description	grinder plate type ENTERPRISE size 22 hole ø 14mm with hub grooves 1 stainless steel ø 82mm		



1

GEV No.	696144	Ref. No.	PIA32110
description	grinder plate type ENTERPRISE size 32 hole ø 10mm with hub grooves 1 stainless steel ø 98mm		





1

GEV No.	696109	Ref. No.	PIA8116
description	grinder plate type ENTERPRISE size 8 hole \varnothing 16mm with hub grooves 1 stainless steel \varnothing 62mm		



1

GEV No.	696114	Ref. No.	PIA1214,5
description	grinder plate type ENTERPRISE size 12 hole \varnothing 4.5mm with hub grooves 2 stainless steel \varnothing 70mm		

with 2 notches

with hub



1

GEV No.	696111	Ref. No.	PIA1212
description	grinder plate type ENTERPRISE size 12 hole \varnothing 2mm with hub grooves 2 stainless steel \varnothing 70mm		



1

GEV No.	696115	Ref. No.	PIA1216
description	grinder plate type ENTERPRISE size 12 hole \varnothing 6mm with hub grooves 2 stainless steel \varnothing 70mm		



1

GEV No.	696113	Ref. No.	PIA1213,5
description	grinder plate type ENTERPRISE size 12 hole \varnothing 3.5mm with hub grooves 2 stainless steel \varnothing 70mm		



1

GEV No.	696116	Ref. No.	PIA1218
description	grinder plate type ENTERPRISE size 12 hole \varnothing 8mm with hub grooves 2 stainless steel \varnothing 70mm		



1

GEV No.	696112	Ref. No.	PIA1213
description	grinder plate type ENTERPRISE size 12 hole \varnothing 3mm with hub grooves 2 stainless steel \varnothing 70mm		




1

GEV No.	696124	Ref. No.	PIA2212
description	grinder plate type ENTERPRISE size 22 hole \varnothing 2mm with hub grooves 2 stainless steel \varnothing 82mm		

			
1			
GEV No.	696126	Ref. No.	PIA2213,5
description	grinder plate type ENTERPRISE size 22 hole ø 3.5mm with hub grooves 2 stainless steel ø 82mm		


			
1			
GEV No.	696129	Ref. No.	PIA2218
description	grinder plate type ENTERPRISE size 22 hole ø 8mm with hub grooves 2 stainless steel ø 82mm		

			
1			
GEV No.	696125	Ref. No.	PIA2213
description	grinder plate type ENTERPRISE size 22 hole ø 3mm with hub grooves 2 stainless steel ø 82mm		

			
1			
GEV No.	696138	Ref. No.	PIA3213
description	grinder plate type ENTERPRISE size 32 hole ø 2.8mm with hub grooves 2 stainless steel ø 100mm		

			
1			
GEV No.	696127	Ref. No.	PIA2214,5
description	grinder plate type ENTERPRISE size 22 hole ø 4.5mm with hub grooves 2 stainless steel ø 82mm		

			
1			
GEV No.	696137	Ref. No.	PIA3212
description	grinder plate type ENTERPRISE size 32 hole ø 2mm with hub grooves 2 stainless steel ø 100mm		


			
1			
GEV No.	696128	Ref. No.	PIA2216
description	grinder plate type ENTERPRISE size 22 hole ø 5.8mm with hub grooves 2 stainless steel ø 82mm		

			
1			
GEV No.	696139	Ref. No.	PIA3213,5
description	grinder plate type ENTERPRISE size 32 hole ø 3.5mm with hub grooves 2 stainless steel ø 100mm		





1

GEV No.	696140	Ref. No.	PIA32I4,5
description	grinder plate type ENTERPRISE size 32 hole ø 4.5mm with hub grooves 2 stainless steel ø 100mm		




1

GEV No.	696101	Ref. No.	PIA8I3
description	grinder plate type ENTERPRISE size 8 hole ø 3mm with hub grooves 2 stainless steel ø 62mm		



1

GEV No.	696141	Ref. No.	PIA32I6
description	grinder plate type ENTERPRISE size 32 hole ø 6mm with hub grooves 2 stainless steel ø 100mm		



1

GEV No.	696103	Ref. No.	PIA8I4,5
description	grinder plate type ENTERPRISE size 8 hole ø 4.5mm with hub grooves 2 stainless steel ø 62mm		




1

GEV No.	696143	Ref. No.	PIA32I8
description	grinder plate type ENTERPRISE size 32 hole ø 8mm with hub grooves 2 stainless steel ø 100mm		




1

GEV No.	696104	Ref. No.	PIA8I6
description	grinder plate type ENTERPRISE size 8 hole ø 6mm with hub grooves 2 stainless steel ø 62mm		



1

GEV No.	696102	Ref. No.	PIA8I3,5
description	grinder plate type ENTERPRISE size 8 hole ø 3.5mm with hub grooves 2 stainless steel ø 62mm		



1

GEV No.	696105	Ref. No.	PIA8I8
description	grinder plate type ENTERPRISE size 8 hole ø 8mm with hub grooves 2 stainless steel ø 62mm		

UNGER



1

GEV No.	696299	Ref. No.	PIA12U10
description	grinder plate type Unger size 12 hole ø 10mm flat grooves 1 stainless steel ø 69.6mm		



1

GEV No.	696300	Ref. No.	PIA12U12
description	grinder plate type Unger size 12 hole ø 12mm flat grooves 1 stainless steel ø 69.6mm		



1

GEV No.	696301	Ref. No.	PIA12U16
description	grinder plate type Unger size 12 hole ø 16mm flat grooves 1 stainless steel ø 69.6mm		



1

GEV No.	696017	Ref. No.	PIA12U3
description	grinder plate type Unger size 12 hole ø 3mm flat grooves 1 stainless steel ø 69.6mm		



1

GEV No.	696018	Ref. No.	PIA12U4,5
description	grinder plate type Unger size 12 hole ø 4.5mm flat grooves 1 stainless steel ø 69.6mm		



1

GEV No.	696297	Ref. No.	PIA12U6
description	grinder plate type Unger size 12 hole ø 6mm flat grooves 1 stainless steel ø 69.6mm		



1

GEV No.	696298	Ref. No.	PIA12U8
description	grinder plate type Unger size 12 hole ø 8mm flat grooves 1 stainless steel ø 69.6mm		



1

GEV No.	696306	Ref. No.	PIA22U10
description	grinder plate type Unger size 22 hole ø 10mm flat grooves 1 stainless steel ø 81.6mm		




1

GEV No.	696307	Ref. No.	PIA22U12
description	grinder plate type Unger size 22 hole ø 12mm flat grooves 1 stainless steel ø 81.6mm		



1

GEV No.	696308	Ref. No.	PIA22U16
description	grinder plate type Unger size 22 hole ø 16mm flat grooves 1 stainless steel ø 81.6mm		




1

GEV No.	696302	Ref. No.	PIA22U3
description	grinder plate type Unger size 22 hole ø 3mm flat grooves 1 stainless steel ø 81.6mm		




1

GEV No.	696314	Ref. No.	PIA32U12
description	grinder plate type Unger size 32 hole ø 12mm flat grooves 1 stainless steel ø 97.6mm		




1

GEV No.	696303	Ref. No.	PIA22U4,5
description	grinder plate type Unger size 22 hole ø 4.5mm flat grooves 1 stainless steel ø 81.6mm		



1

GEV No.	696315	Ref. No.	PIA32U16
description	grinder plate type Unger size 32 hole ø 16mm flat grooves 1 stainless steel ø 97.6mm		




1

GEV No.	696304	Ref. No.	PIA22U6
description	grinder plate type Unger size 22 hole ø 6mm flat grooves 1 stainless steel ø 81.6mm		



1

GEV No.	696309	Ref. No.	PIA32U3
description	grinder plate type Unger size 32 hole ø 3mm flat grooves 1 stainless steel ø 97.6mm		




1

GEV No.	696305	Ref. No.	PIA22U8
description	grinder plate type Unger size 22 hole ø 8mm flat grooves 1 stainless steel ø 81.6mm		



1

GEV No.	696310	Ref. No.	PIA32U4,5
description	grinder plate type Unger size 32 hole ø 4.5mm flat grooves 1 stainless steel ø 97.6mm		




1


GEV No.	696313	Ref. No.	PIA32U10
description	grinder plate type Unger size 32 hole ø 10mm flat grooves 1 stainless steel ø 97.6mm		





1


GEV No.	696311	Ref. No.	PIA32U6
description	grinder plate type Unger size 32 hole ø 6mm flat grooves 1 stainless steel ø 97.6mm		


			
1			
GEV No.	696312	Ref. No.	PIA32U8
description	grinder plate type Unger size 32 hole ø 8mm flat grooves 1 stainless steel ø 97.6mm		


			
1			
GEV No.	696161	Ref. No.	PIA12U0
description	grinder plate type Unger size 12 hole ø 69.6mm flat grooves 1 stainless steel ø 69.6mm		


			
1			
GEV No.	696162	Ref. No.	PIA22U0
description	grinder plate type Unger size 22 hole ø 81.6mm flat grooves 1 stainless steel ø 81.6mm		

			
1			
GEV No.	696163	Ref. No.	PIA32U0
description	grinder plate type Unger size 32 hole ø 97.6mm shaft ø 19.7mm flat grooves 1 stainless steel ø 97.6mm		

blades			
ENTERPRISE			
			
1			
GEV No.	696022	Ref. No.	COL12I
description	knife type ENTERPRISE size 12 ø 62mm internal size 12x12mm stainless steel		

			
1			
GEV No.	696023	Ref. No.	COL22I
description	knife type ENTERPRISE size 22 ø 73mm internal size 13x13mm stainless steel		

			
1			
GEV No.	696033	Ref. No.	COL32I
description	knife type ENTERPRISE size 32 ø 90mm internal size 15x15mm stainless steel		

			
1			
GEV No.	696021	Ref. No.	COL8I
description	knife type ENTERPRISE size 8 ø 55mm internal size 10x10mm stainless steel		




UNGER

with fixed blades




1

GEV No.	696032	Ref. No.	COL32U F0417U
description	knife type Unger size B-98 (32) ø 90mm stainless steel		



1


GEV No.	696031	Ref. No.	COL22U
description	knife type Unger size H-82 (22) ø 73mm stainless steel		



1


GEV No.	696030	Ref. No.	COL12U
description	knife type Unger size R-70 (12) ø 62mm stainless steel		

ring nuts



1

GEV No.	698639	Ref. No.	SL0197
description	ring nut ENTERPRISE model 22 ED ø 185mm ID ø 75mm stainless steel thread M96x2		
For models:	AB22A, AB22AE, AB22AEQ0, AB22AT, AB22ATQ0, TR22C, TR22CQ0, TR22RG, TR22RS, TR22RSQ0, TR22RSQ1, TR22S, TR22TE, TR22TEQ0, TR22TS, TR22TSQ0, TR22TSQ1		



1

GEV No.	697123	Ref. No.	SL0171
description	ring nut ENTERPRISE model 12 stainless steel		
For models:	AB12AT, AB12ATQ0, AB12L, AB12LQ0, AB12R, AB12T, AB12TQ0, IM12C, TR12C, TR12CQ0, TR12S, TR12SQ0, TR12TS, TR12TSQ0		



1

GEV No.	699596	Ref. No.	SL3327R0 SL3327RO
description	ring nut model 12 ED ø 91mm thickness 30mm ID ø 80mm aluminium		
For models:	AB12AT, AB12ATQ0, AB12L, AB12LQ0, AB12T, AB12TQ0, IM12C, TR12C, TR12CQ0, TR12S, TR12SQ0, TR12TS, TR12TSQ0		


augers

complete



1

GEV No.	698281	Ref. No.	SA5100 SA5350
description	auger model 12 ø 54mm L 150mm cast iron with spindle ENTERPRISE		
For models:	AB12AT, AB12ATQ0, AB12L, AB12LQ0, AB12R, AB12T, AB12TQ0, IM12C, TR12C, TR12CQ0, TR12S, TR12SQ0, TR12TS, TR12TSQ0		



1

GEV No.	698282	Ref. No.	SA5300
description	auger model 12 ø 54mm L 150mm stainless steel with spindle ENTERPRISE		
For models:	AB12AT, AB12ATQ0, AB12L, AB12LQ0, AB12R, AB12T, AB12TQ0, IM12C, TR12C, TR12CQ0, TR12S, TR12SQ0, TR12TS, TR12TSQ0		



1

GEV No.	699589	Ref. No.	SA5500
description	auger model 22 ø 65mm L 183mm stainless steel with bolt		
For models:	AB22A, AB22AE, AB22AEQ0, AB22AT, AB22ATQ0, TR22C, TR22CQ0, TR22RG, TR22RS, TR22RSQ0, TR22RSQ1, TR22S, TR22TE, TR22TEQ0, TR22TS, TR22TSQ0, TR22TSQ1		

augers chambers

outer parts



1	GEV No.	698638	Ref. No.	SL3986
	description	auger chamber ENTERPRISE model 22 inlet ø 62mm stainless steel		
	For models:	AB22AE, AB22AEQ0, AB22ATQ0, TR22C, TR22CQ0, TR22TE, TR22TEQ0, TR22TS, TR22TSQ1		

inner parts



1	GEV No.	698283	Ref. No.	SL0142
	description	auger chamber ENTERPRISE model 12 inlet ø 60mm stainless steel		
	For models:	AB12L, AB12LQ0, AB12R, AB12T, AB12TQ0, TR12S, TR12SQ0		

miscellaneous



1	GEV No.	698288	Ref. No.	SL0133
	description	plug ø 12mm L 14mm for mincer		
	For models:	AB12AT, AB12L, AB12R, AB12T, AB22AE, ABGC, ABGCP, CAFFES, GR12S, TR12S, TR12TS, TR22TE		



1	GEV No.	698293	Ref. No.	SL2917
	description	screw thread M10x1.5 WS 18 for mincer		
	For models:	AB12AT, AB12ATQ0, AB12L, AB12LQ0, AB12R, AB12T, AB12TQ0, AB22AE, AB22AEQ0, TR12S, TR12SQ0, TR12TS, TR12TSQ0, TR22TE, TR22TEQ0		

plungers



1	GEV No.	698279	Ref. No.	SL0134
	description	plunger ø 50mm L 105mm total length 240mm		
	For models:	AB12AT, AB12ATQ0, AB12L, AB12LQ0, AB12R, AB12T, AB12TQ0, AB22A, AB22AE, AB22AEQ0, AB22AT, AB22ATQ0, AB8D, IM12C, TR12C, TR12CQ0, TR12S, TR12SQ0, TR12TS, TR12TSQ0, TR22C, TR22CQ0, TR22RS, TR22RSQ0, TR22RSQ1, TR22S, TR22TE, TR22TEQ0, TR22TS, TR22TSQ0, TR22TSQ1, TR32S, TR32TS, TR8D		



1	GEV No.	698280	Ref. No.	SL0841 SL4069
	description	plunger ø 50mm L 155mm total length 290mm		
	For models:	2000, TR22RG, TR32RS, TR32RSQ0, TR32TNQ0, TV2000, TV2000R, TV2500, TV3000, TV4000		

for cutters

drive shafts



1	GEV No.	694061	Ref. No.	36G7000
	description	drive shaft ø 22mm stainless steel L 137mm CL3		
	For models:	CL3		



lids



1

GEV No.	694243	Ref. No.	36Z0665
description	lid ø 215mm ID ø 210mm plastic with magnet CL 3-5-8		
For models:	CL3, CL5, CL8		

blades

spacer rings



1

GEV No.	697106	Ref. No.	36G0650
description	spacer ring ED ø 63mm int. ø 1 39mm mounting distance 52mm hole ø 5.5mm plastic CL 3-5-8		
For models:	CL5, CL8		

holders

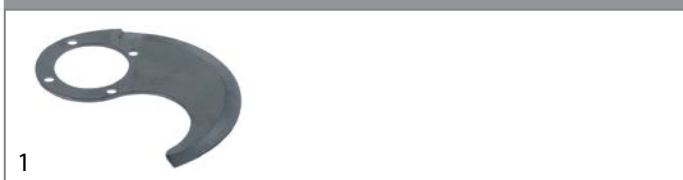


1

GEV No.	651037	Ref. No.	36G7010
description	blade holder ED ø 63mm int. ø 1 39mm int. ø 2 10mm H 81.5mm mounting distance 52mm thread M5 plastic CL 3-5-8		
For models:	CL3, CL5, CL8		

blades

blades smooth



1

GEV No.	696173	Ref. No.	36G7030
description	knife mounting pos. upper seat ø 42mm mounting distance 52mm hole ø 5.5mm thickness 2mm model CL 3-5-8		
For models:	CL3, CL5, CL8		

blades with adaptor (complete)



1

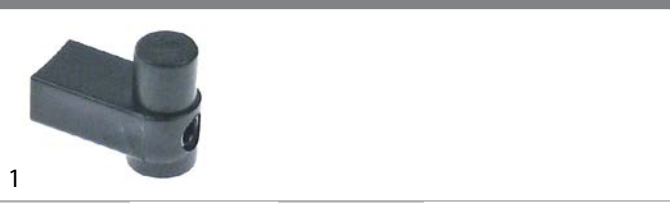
GEV No.	696526	Ref. No.	COLCL3L2
description	knife complete ø 200mm H 115mm CL3		
For models:	CL3		



1

GEV No.	696794	Ref. No.	COLCL58L2
description	knife smooth ø 200mm H 133mm CL 5-8		
For models:	CL5, CL8		

miscellaneous



1

GEV No.	696472	Ref. No.	36M5620
description	connector FIMAR L 40mm W 20mm plastic		
For models:	CL3, CL5, CL8		



1

GEV No.	696525	Ref. No.	SA1085
description	plunger for cutter L 135mm ø 80mm plastic		
For models:	CL3		

for vegetable slicers

lids



1

GEV No.	696537	Ref. No.	SL3464
description	lid for vegetable slicer plastic TV2500		
For models:	TV2500		

housings



1

GEV No.	696453	Ref. No.	SL1387 SL3174
description	housing for vegetable slicer ED ø 220mm ID ø 205mm H 78mm L 300mm mounting distance 156mm		

ejector discs



1

GEV No.	697292	Ref. No.	CE805556
description	ejector disc flat H 6mm ø 200mm seat ø 20.3mm shaft diameter 52mm hole distance 40mm		
For models:	TAC, TAS		



1

GEV No.	699012	Ref. No.	SL0843
description	ejector disc flat H 6mm ø 200mm seat ø 21mm hole distance 40mm		
For models:	2000, TV2000, TV2000R, TV2500, TV3000		



1

GEV No.	699011	Ref. No.	36G6960
description	ejector disc H 7mm ø 195mm shaft diameter 22x27mm		
For models:	FNT, FNT2V, FNT-MEC		



1

GEV No.	699016	Ref. No.	SA2700 SL0842
description	ejector disc high H 25mm ø 200mm seat ø 21mm hole distance 40mm		
For models:	2000, TV2000, TV2000R, TV2500, TV3000		



1


GEV No.	697291	Ref. No.	CE505557
description	ejector disc high H 28mm ø 200mm seat ø 20.3mm hole distance 40mm		
For models:	TAC, TAS		

grating discs




1

GEV No.	698404	Ref. No.	DISCOZ4
description	grating disc for vegetable slicer type Z4 ø 205mm seat ø 19mm slicing thickness 4mm		

1

GEV No.	697915	Ref. No.	DISCOV
description	grating disc ø 205mm seat ø 19mm plastic		



1

GEV No.	697838	Ref. No.	DISCO Z3
description	grating disc ø 205mm seat ø 19mm slicing thickness 3mm SS/plastic		




1

GEV No.	698463	Ref. No.	DISCOZ7
description	grating disc type DISCOZ7 ø 205mm slicing thickness 7mm plastic/metal		


cutting discs

blades smooth


blades



1

GEV No.	697418	Ref. No.	Lamael
description	spare blades for cutting disc E		
accessories for	697418		
	GEV No.	Ref. No.	DISCOE2
	697301		
description	slicing disk type E2 ø 206mm seat ø 19mm slicing thickness 2mm plastic		

cutting discs




1

GEV No.	698334	Ref. No.	DISCOREGO
description	slicing disk ø 205mm seat ø 19mm adjustable slicing thickness 1-8mm		




1

GEV No.	698459	Ref. No.	DISCOE8
description	slicing disk type DISCOE8 ø 205mm seat ø 19mm slicing thickness 8mm aluminium		




1

GEV No.	697389	Ref. No.	DISCOE1
description	slicing disk type E1 ø 206mm seat ø 19mm slicing thickness 1mm plastic		





1

GEV No.	698402	Ref. No.	DISCOE10
description	slicing disk type E10 ø 205mm seat ø 19mm slicing thickness 10mm aluminium for vegetable slicer		



1

GEV No.	697301	Ref. No.	DISCOE2
description	slicing disk type E2 ø 206mm seat ø 19mm slicing thickness 2mm plastic		
spare parts for	697301		
	GEV No.	Ref. No.	Lamael
	697418		
description	spare blades for cutting disc E		



1

GEV No.	697297	Ref. No.	DISCOE3
description	slicing disk type E3 ø 206mm seat ø 19mm slicing thickness 3mm plastic		

blades round



1

GEV No.	697390	Ref. No.	DISCOE5
description	slicing disk type E5 \varnothing 206mm seat \varnothing 19mm slicing thickness 5mm plastic		



1

GEV No.	697391	Ref. No.	DISCOS1
description	slicing disk type S1 \varnothing 206mm seat \varnothing 19mm slicing thickness 1mm plastic		

stick slicing discs



1

GEV No.	698460	Ref. No.	DICOB10
description	stick slicing disc type DISCOB10 \varnothing 205mm slicing thickness 10mm plastic/metal		



1

GEV No.	698461	Ref. No.	DISCOB8
description	stick slicing disc type DISCOB8 \varnothing 205mm slicing thickness 8mm plastic/metal		



1

GEV No.	698465	Ref. No.	DISCOH10
description	stick slicing disc type DISCOH10 \varnothing 205mm seat \varnothing 19mm slicing thickness 10x10mm		



1

GEV No.	698464	Ref. No.	DISCOH2,5
description	stick slicing disc type DISCOH2.5 \varnothing 205mm seat \varnothing 19mm slicing thickness 2.5x2.5mm		

cubing grids



1

GEV No.	698403	Ref. No.	DISCOD10
description	cubing grid type D10 \varnothing 210mm seat \varnothing 32.5mm slicing thickness 10mm plastic		



1

GEV No.	698466	Ref. No.	DISCOD12
description	cubing grid type DISCOD12 \varnothing 205mm slicing thickness 12x12mm plastic/metal		



1

GEV No.	698462	Ref. No.	DISCOD8
description	cubing grid type DISCOD8 \varnothing 205mm slicing thickness 8x8mm plastic/metal		

spindles



1


GEV No.	696356	Ref. No.	SL1372
description	spindle D1 \varnothing 19mm D2 \varnothing 17mm for vegetable slicer total length 103mm		
For models:	2000, TV2000		





			
1			
GEV No.	696355	Ref. No.	SA1131 SL1360 SL1360R0
description	spindle L1 103mm D1 ø 19mm D2 ø 17mm for vegetable slicer		
For models:	2000, TV2000, TV2000R, TV2500, TV3000		

			
1			
GEV No.	692145	Ref. No.	36G6600 SL13999
description	pulley disc ø 157mm disc width 31mm shaft intake ø 15mm overall width 30mm plastic for potato peeler device		
For models:	2000, FNT, FNT2V, FNT-MEC, LAV, LCF10M, LCF18M, LCF5, LCN10, LCN10M, LCN18, LCN18M, LCN5, PLF10, PLF18, PLF5, PLN10, PLN18, PLN5, PPF10, PPF10M, PPF18, PPF18M, PPF5, PPN10, PPN10M, PPN18, PPN18M, PPN5, TV2000, TV2000R, TV2500, TV3000, TV4000		

miscellaneous


			
1			
GEV No.	696359	Ref. No.	SL1381
description	bush ED ø 22mm ID ø 18mm H 9.6mm for vegetable slicer		
For models:	2000, TV2000, TV2000R, TV2500, TV3000		

			
1			
GEV No.	696360	Ref. No.	SL1380
description	shaft seal ID ø 25mm ED ø 40mm thickness 5mm		
For models:	2000, TV2000, TV2000R, TV2500, TV3000		


			
1			
GEV No.	696358	Ref. No.	SL1376
description	bush ED ø 25mm ID ø 17mm H 5.5mm for vegetable slicer		
For models:	2000, TV2000, TV2000R, TV2500, TV3000		

			
1			
GEV No.	699000	Ref. No.	SL1390 SL1838
description	star handle thread M5 ø 40mm L 54mm black		
For models:	2000, TV2000, TV2000R, TV3000		

			
1			
GEV No.	110703	Ref. No.	SL0106
description	cylindrical handle thread M10 ø 28mm L 87mm		
For models:	2000, 2200, AB12AT, AB12ATQ0, AB12L, AB12LQ0, AB12R, AB12T, AB12TQ0, AB22A, AB22AE, AB22AEQ0, AB22AT, AB22ATQ0, ABGC, ABGCP, FMD4, FMD44, FMD6, FMD66, FMD9, FMD99, FMDW6, FMDW66, FME4, FME44, FME6, FME66, FME9, FME99, FMEW6, FMEW66, FML4, FML44, FML6, FML66, FML9, FML99, FMLW6, FMLW66, GR12S, SE1550, SE1550Q0, SE1830, SE1830Q0, SE2200, SI320, SI420, SI520, TV2000... (Other models you can see in the webshop)		

			
1			
GEV No.	696545	Ref. No.	SL1074
description	thread bolt L 25mm thread M5 SS		
For models:	2000, TV2000, TV2000R, TV3000		

			
1			
GEV No.	696357	Ref. No.	SL1373
description	disc ø 56mm for vegetable slicer		
For models:	2000, TV2000, TV2000R, TV2500, TV3000		


			
1			
GEV No.	696544	Ref. No.	SL1388
description	threaded bush ø 12mm ID ø 5mm H 8mm thread M5 for vegetable slicer		
For models:	2000, TV2000, TV2000R, TV2500, TV3000		

for cheese graters

lids




1

GEV No.	698017	Ref. No.	SL2833
description	lid model 12-22 ø 100mm plastic mounting distance 85mm		
For models:	AB12AT, AB12ATQ0, AB12L, AB12LQ0, AB12R, AB12T, AB12TQ0, AB22AE, AB22AEQ0, AB22AT, AB22ATQ0, ABGC, CAFFES, GR12S, TR12S, TR12SQ0, TR12TS, TR12TSQ0, TR22TE, TR22TEQ0		
accessories for	698017		
	GEV No.	699592	Ref. No. SL2573
	plug for lid ø 75mm plastic for meat mincer/cheese grater		



1

GEV No.	699592	Ref. No.	SL2573
description	plug for lid ø 75mm plastic for meat mincer/cheese grater		
For models:	AB12AT, AB12ATQ0, AB12L, AB12LQ0, AB12R, AB12T, AB12TQ0, AB22AE, AB22AEQ0, AB22AT, AB22ATQ0, GR12S		
accessories for	699592		
	GEV No.	698017	Ref. No. SL2833
	lid model 12-22 ø 100mm plastic mounting distance 85mm		

miscellaneous



1

GEV No.	110703	Ref. No.	SL0106
description	cylindrical handle thread M10 ø 28mm L 87mm		
For models:	2000, 2200, AB12AT, AB12ATQ0, AB12L, AB12LQ0, AB12R, AB12T, AB12TQ0, AB22A, AB22AE, AB22AEQ0, AB22AT, AB22ATQ0, ABGC, ABGCP, FMD4, FMD44, FMD6, FMD66, FMD9, FMD99, FMDW6, FMDW66, FME4, FME44, FME6, FME66, FME9, FME99, FMEW6, FMEW66, FML4, FML44, FML6, FML66, FML9, FML99, FMLW6, FMLW66, GR12S, SE1550, SE1550Q0, SE1830, SE1830Q0, SE2200, SI320, SI420, SI520, TV2000... (Other models you can see in the webshop)		

for mozzarella slicers



1

GEV No.	698337	Ref. No.	CE502114
description	handle kit for lid		
For models:	TAC, TAS		

for potato peelers

drive shafts




1

GEV No.	692147	Ref. No.	36G6590
description	drive shaft for potato peeler device L 134mm		
For models:	LCF10, LCF10M, LCF18, LCF18M, LCF5, LCN10, LCN10M, LCN18, LCN18M, LCN5, PLF10, PLF18, PLF5, PLN10, PLN18, PLN5, PPF10, PPF10M, PPF18, PPF18M, PPF5, PPN10, PPN10M, PPN18, PPN18M, PPN5		

lids



1

GEV No.	696454	Ref. No.	36Z6501
description	lid for potato peeler device ø 430mm ID ø 380mm plastic mounting distance 220mm H 80mm		
For models:	LAV, LCF10, LCF10M, LCF18, LCF18M, LCF5, LCN10, LCN10M, LCN18, LCN18M, LCN5, PLF10, PLF18, PLF5, PLN10, PLN18, PLN5, PPF10, PPF10M, PPF18, PPF18M, PPF5, PPN10, PPN10M, PPN18, PPN18M, PPN5		
accessories for	696454		
	GEV No.	901522	Ref. No. 37Q7330 SL2871
	lid gasket suitable for FIMAR for potato peeler device L 1280mm external height 12mm external width 12mm		

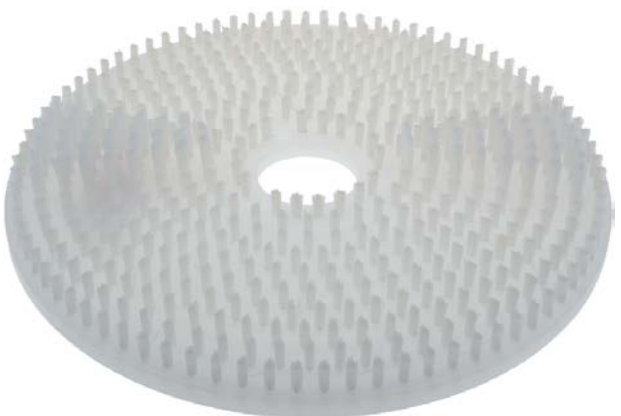



1

GEV No.	696199	Ref. No.	CO2146
description	lid potato peeler ø 310mm ID ø 280mm plastic mounting distance 59mm PP4-PP8-PP15 Expo		
For models:	PL16, PL4, PL8		

abrasive side elements


brush discs



1


GEV No.	696385	Ref. No.	36G6880
description	brush disc for potato peeler device ø 387mm H 46mm hole ø 65.5mm		
For models:	LCF10, LCF10M, LCF18, LCF18M, LCF5, LCN10, LCN10M, LCN18, LCN18M, LCN5, PLF10, PLF18, PLF5, PLN10, PLN18, PLN5, PPF10, PPF10M, PPF18, PPF18M, PPF5, PPN10, PPN10M, PPN18, PPN18M, PPN5		

inserts




1

GEV No.	696538	Ref. No.	SA1120
description	abrasive band for potato peeler device ø 400mm L 205mm mounting distance 165mm		



1

GEV No.	696793	Ref. No.	SA1130
description	abrasive band for potato peeler device ø 420mm L 235mm PPN25/PPF25		
For models:	PPF25, PPN25		



1


GEV No.	696202	Ref. No.	CO2130
description	abrasive band potato peeler ø 300mm L 205mm mounting distance 120mm PP4 Expo		
For models:	PL4		

grinding discs




1

GEV No.	696201	Ref. No.	CO2128 CO2162
description	grating disc ø 280mm potato peeler PP4-PP8 Expo		
For models:	PL4, PL8		




1

GEV No.	696386	Ref. No.	SL2494
description	grinding disc ø 367mm for potato peeler device edition until year of construction 01/2008		
For models:	LCF10, LCF10M, LCF18, LCF18M, LCF5, LCN10, LCN10M, LCN18, LCN18M, LCN5, PLF10, PLF18, PLF5, PLN10, PLN18, PLN5, PPF10, PPF10M, PPF18, PPF18M, PPF5, PPN10, PPN10M, PPN18, PPN18M, PPN5		




1

GEV No.	696441	Ref. No.	SL3544
description	grinding disc ø 370mm for potato peeler device edition since 01/2008		
For models:	LCF10M, LCF18M, LCF5, LCN10M, LCN18M, LCN5, PPF10M, PPF18M, PPF5, PPN10M, PPN18M, PPN5		





1

GEV No.	696446	Ref. No.	ACPTA
description	grinding disc ø 380mm for potato peeler device		
For models:	LCF10, LCF18, LCF5, LCN10, LCN18, LCN5, PLF10, PLF18, PLF5, PLN10, PLN18, PLN5, PPF10, PPF10M, PPF18, PPF18M, PPF5, PPN10, PPN10M, PPN18, PPN18M, PPN5		
spare parts for	696446		
	GEV No.	696441	Ref. No. SL3544
	grinding disc ø 370mm for potato peeler device edition since 01/2008		



miscellaneous



1

GEV No.	696539	Ref. No.	SA1064
description	bottom for potato peeler device complete with spindle plastic ø 400mm		
For models:	LCF10M, LCF18M, LCF5, LCN10M, LCN18M, LCN5, PPF10M, PPF18M, PPF5, PPN10M, PPN18M, PPN5		
spare parts for	696539		
	GEV No.	523526	Ref. No. 36F0090
	deep-groove ball bearing type 6302-2RS shaft ø 15mm ED ø 42mm W 13mm with sealing discs deep-groove ball bearing DIN 625-1		
	GEV No.	692006	Ref. No. SL0010
	slot nut W 5mm H 5mm L 20mm		
	GEV No.	692145	Ref. No. 36G6600 SL13999
	pulley disc ø 157mm disc width 31mm shaft intake ø 15mm overall width 30mm plastic for potato peeler device		
	GEV No.	692147	Ref. No. 36G6590
	drive shaft for potato peeler device L 134mm		
	GEV No.	696406	Ref. No. 3190830
	disc for potato peeler device ED ø 42mm ID ø 28.7mm thickness 4.5mm		
	GEV No.	696408	Ref. No. 36G5950
	bush for potato peeler device ED ø 20mm ID ø 16mm thickness 2mm L 19.4mm		
	GEV No.	696412	Ref. No. 3600870
	bottom plastic		
	GEV No.	698352	Ref. No. 3151300 SL3943
	shaft seal ID ø 28mm ED ø 42mm thickness 7mm		


accessories for 696539

	GEV No.	532609	Ref. No.	3151750
	O-ring NBR thickness 7mm ID ø 387mm Qty 1 pcs			
	GEV No.	696538	Ref. No.	SA1120
	abrasive band for potato peeler device ø 400mm L 205mm mounting distance 165mm			



1

GEV No.	696412	Ref. No.	3600870
description	bottom plastic		
For models:	LCF10, LCF10M, LCF18, LCF18M, LCF5, LCN10, LCN10M, LCN18, LCN18M, LCN5, PLF10, PLF18, PLF5, PLN10, PLN18, PLN5, PPF10, PPF10M, PPF18, PPF18M, PPF5, PPN10, PPN10M, PPN18, PPN18M, PPN5		



1

GEV No.	696408	Ref. No.	36G5950
description	bush for potato peeler device ED ø 20mm ID ø 16mm thickness 2mm L 19.4mm		
For models:	LAV, LCF10, LCF10M, LCF18, LCF18M, LCF5, LCN10, LCN10M, LCN18, LCN18M, LCN5, PLF10, PLF18, PLF5, PLN10, PLN18, PLN5, PPF10, PPF10M, PPF18, PPF18M, PPF5, PPN10, PPN10M, PPN18, PPN18M, PPN5		





1


GEV No.	696407	Ref. No.	36D9660
description	deflector for potato peeler device plastic L 144mm W 38mm H 130mm thread 1/4"/M6		
For models:	LCF10, LCF10M, LCF18, LCF18M, LCN10, LCN10M, LCN18, LCN18M, PLF10, PLF18, PLN10, PLN18, PPF10, PPF10M, PPF18, PPF18M, PPF25, PPN10, PPN10M, PPN18, PPN18M, PPN25		

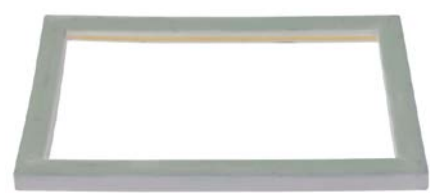


			
1			
GEV No.	696406	Ref. No.	3190830
description	disc for potato peeler device ED ø 42mm ID ø 28.7mm thickness 4.5mm		
For models:	LAV, LCF10, LCF10M, LCF18, LCF18M, LCF5, LCN10, LCN10M, LCN18, LCN18M, LCN5, PLF10, PLF18, PLF5, PLN10, PLN18, PLN5, PPF10, PPF10M, PPF18, PPF18M, PPF5, PPN10, PPN10M, PPN18, PPN18M, PPN5, SI320, SI420, SI520		


			
1			
GEV No.	696540	Ref. No.	35X1150
description	drain pipe ø 99mm for potato peeler device plastic L 520mm ID ø 90mm		
For models:	LCF10, LCF10M, LCF18, LCF18M, LCF5, LCN5, PLF10, PLF18, PLF5, PLN5, PPF10, PPF10M, PPF18, PPF18M, PPF25, PPF5, PPN5		


			
1			
GEV No.	696458	Ref. No.	36C0011
description	frame W 202mm H 154mm thickness 4mm plastic for potato peeler device		
For models:	LCF10, LCF10M, LCF18, LCF18M, LCF5, LCN10, LCN10M, LCN18, LCN18M, LCN5, PLF10, PLF18, PLF5, PLN10, PLN18, PLN5, PPF10, PPF10M, PPF18, PPF18M, PPF25, PPF5, PPN10, PPN10M, PPN18, PPN18M, PPN25, PPN5		

			
1			
GEV No.	696543	Ref. No.	36G6620
description	V-ripped belt pulley grooves 12 disc ø 38mm shaft intake ø 14mm disc width 30mm groove depth 1.5mm groove width 1mm overall width 37mm aluminium H 38mm shaft ø 14mm		
For models:	PLF10, PLF18, PLF5, PLN10, PLN18, PLN5, PPF10, PPF10M, PPF18, PPF18M, PPF5, PPN10, PPN10M, PPN18, PPN18M, PPN5, TV4000		

door mechanics			
door seals			
			
1			
GEV No.	901523	Ref. No.	37Q7860
description	gasket suitable for FIMAR for potato peeler device L 204mm W 155mm external height 12mm		
For models:	LCF10, LCF10M, LCF18, LCF18M, LCF5, LCN10, LCN10M, LCN18, LCN18M, LCN5, PLF10, PLF18, PLF5, PLN10, PLN18, PLN5, PPF10, PPF10M, PPF18, PPF18M, PPF25, PPF5, PPN10, PPN10M, PPN18, PPN18M, PPN25, PPN5		

doors			
			
1			
GEV No.	696052	Ref. No.	CO2142
description	door W 135mm H 115mm with gasket PP4 Expo		
For models:	PL4		

miscellaneous			
			
1			
GEV No.	696458	Ref. No.	36C0011
description	frame W 202mm H 154mm thickness 4mm plastic for potato peeler device		
For models:	LCF10, LCF10M, LCF18, LCF18M, LCF5, LCN10, LCN10M, LCN18, LCN18M, LCN5, PLF10, PLF18, PLF5, PLN10, PLN18, PLN5, PPF10, PPF10M, PPF18, PPF18M, PPF25, PPF5, PPN10, PPN10M, PPN18, PPN18M, PPN25, PPN5		

			
1			
GEV No.	696053	Ref. No.	CO2143
description	handle L 180mm W 20mm thickness 6mm SS PP4 Expo		
For models:	PL16, PL4, PL8		



1

GEV No.	696555	Ref. No.	36D9550
description	threaded bush L 17mm thread M6 for door		
For models:	LAV, LCF10, LCF10M, LCF18, LCF18M, LCF5, LCN10, LCN10M, LCN18, LCN18M, LCN5, PLF10, PLF18, PLF5, PLN10, PLN18, PLN5, PPF10, PPF10M, PPF18, PPF18M, PPF25, PPF5, PPN10, PPN10M, PPN18, PPN18M, PPN25, PPN5		

for dough mixers

drive shafts



1

GEV No.	697847	Ref. No.	SL3203
description	drive shaft D1 ø 20mm for coupling ø 17mm L 113mm 12-18 CN-FN		
For models:	IM12CN, IM12FN, IM18CN, IM18FN		



1

GEV No.	697228	Ref. No.	SL1116
description	drive shaft D1 ø 20mm ø 19mm L 450mm 7 S D2 ø 17mm		
For models:	IM7S		



1

GEV No.	697229	Ref. No.	SL0048
description	drive shaft D1 ø 20mm ø 24mm L 482mm 12-18 S D2 ø 17mm		
For models:	IM12S, IM18S		



1

GEV No.	698416	Ref. No.	SL3266
description	drive shaft D1 ø 25mm for dough hook L 82mm D2 ø 30mm IT M18x1.5/M8		
For models:	IM25CN, IM25FN, IM25SN, IM38CN, IM38FN, IM38SN		



1

GEV No.	697236	Ref. No.	SL2856
description	drive shaft D1 ø 25mm ø 28mm L 472mm 38 C-F D2 ø 20mm edition since 08/2003		
For models:	IM38C, IM38F		



1

GEV No.	697230	Ref. No.	SL0097
description	drive shaft D1 ø 25mm ø 28mm L 526mm 25 S D2 ø 20mm		
For models:	IM25S		



1

GEV No.	697231	Ref. No.	SL0098
description	drive shaft D1 ø 25mm ø 28mm L 542mm 38 S D2 ø 20mm		
For models:	IM38S		



1

GEV No.	697239	Ref. No.	SL2613
description	drive shaft D1 ø 25mm ø 28mm L 544mm 38 C-F D2 ø 20mm edition until 08/2003		
For models:	IM38C, IM38F		




1


GEV No.	697247	Ref. No.	SL2832
description	drive shaft D1 ø 30mm for coupling ø 25mm L 162mm 50 C		
For models:	IM50C, IM50CN, IM50F, IM50FN		





			
1			
GEV No.	697232	Ref. No.	SL2730
description	drive shaft D1 ø 30mm ø 32mm L 740mm 50 S D2 ø 25mm		
For models:	IM50S		

			
1			
GEV No.	692655	Ref. No.	SA1031
description	drive shaft ø 120mm H 85mm		
For models:	IM25CN, IM25FN, IM25SN, IM38CN, IM38FN, IM38SN		

			
1			
GEV No.	692884	Ref. No.	SA1025
description	drive shaft ø 25mm with toothed chain drive L 465mm 25FN,25CN,38FN,38CN teeth 16		
For models:	IM38CN, IM38FN		

			
1			
GEV No.	697245	Ref. No.	SL2615
description	spindle D1 ø 20mm for coupling ø 17mm L 113mm 12-18 C-F		
For models:	IM12C, IM12CN, IM12F, IM12FN, IM18C, IM18CN, IM18F, IM18FN		

			
1			
GEV No.	697212	Ref. No.	SL2614
description	spindle D1 ø 25mm for dough hook ø 20mm L 150mm 25-38 C-F D2 ø 30mm IT M18x1.5 edition until 08/2003		
For models:	IM25C, IM25F, IM38C, IM38F		

			
1			
GEV No.	697217	Ref. No.	SL2729
description	spindle D1 ø 30mm for dough hook ø 25mm L 160mm 50 S-C-F D2 ø 40mm IT M24x2		
For models:	IM50C, IM50CN, IM50F, IM50FN, IM50S, IM50SN		

locking levers

			
1			
GEV No.	697265	Ref. No.	SL2629
description	locking lever thread M10 thread L 90mm		
For models:	IM12C, IM12CN, IM12F, IM12FN, IM18C, IM18CN, IM18F, IM18FN		

			
1			
GEV No.	697266	Ref. No.	SL2630
description	locking lever thread M12 thread L 109mm		
For models:	IM25C, IM25CN, IM25F, IM25FN, IM38C, IM38CN, IM38F, IM38FN		



1

GEV No.	697267	Ref. No.	SL2841
description	locking lever thread M14 thread L 97mm		
For models:	IM50C, IM50CN, IM50F, IM50FN		

lids
plastic




1

GEV No.	697139	Ref. No.	SL1105
description	lid ø 287mm 7 S		
For models:	IM7S		



1

GEV No.	697140	Ref. No.	SA1004 SL0005
description	lid ø 335mm 12 S-C-F		
For models:	IM12C, IM12CN, IM12E, IM12F, IM12FN, IM12S, IM12SN		



1

GEV No.	697141	Ref. No.	SA1005 SL0006
description	lid ø 376mm 18 S-C-F		
For models:	BM11, IM18C, IM18CN, IM18E, IM18F, IM18FN, IM18S, IM18SN, IM20L		



1

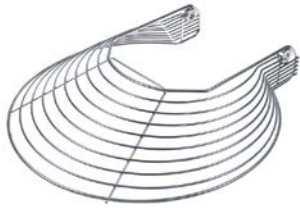
GEV No.	697142	Ref. No.	SA1006 SL0065
description	lid ø 415mm 25 S-C-F		
For models:	IM25C, IM25CN, IM25E, IM25F, IM25FN, IM25S, IM25SN, IM30L		



1


GEV No.	697143	Ref. No.	SA1007 SL0066
description	lid ø 465mm 38 S-C-F		
For models:	IM38C, IM38CN, IM38E, IM38F, IM38FN, IM38S, IM38SN		

protective grid




1

GEV No.	698407	Ref. No.	SL3420
description	guard ø 470mm		
For models:	IM38CN, IM38FN, IM38SN		



1


GEV No.	697144	Ref. No.	SL2711 SL3239
description	guard ø 525mm 50 S-C-F		
For models:	IM50C, IM50CN, IM50F, IM50FN, IM50S, IM50SN		



1


GEV No.	696669	Ref. No.	SL3150
description	lid ø 275mm 7 S		
For models:	IM7SN		

spacer rings



1

GEV No.	697118	Ref. No.	SL0020
description	spacer ring ø 22mm ID ø 18mm H 31.5mm		
For models:	IM12C, IM12F, IM12S, IM12SN, IM18C, IM18F, IM18S, IM18SN, IM20L, IM7S, IM7SN		



1

GEV No.	697195	Ref. No.	SL2618
description	spacer ring ø 25mm ID ø 21mm H 31mm		
For models:	IM12C, IM18C		



1


GEV No.	697198	Ref. No.	SL2617
description	spacer ring ø 25mm ID ø 21mm H 53mm		
For models:	IM12C, IM12CN, IM12FN, IM18C, IM18CN, IM18FN		



1

GEV No.	697210	Ref. No.	SL2619
description	spacer ring ø 35mm ID ø 26mm H 24mm		
For models:	IM25C, IM25F, IM38C, IM38F		

flange bearings



1

GEV No.	697278	Ref. No.	SL0086
description	flange bearing type UCF205 shaft ø 25mm 4 hole flange hole distance 70mm H 36mm flange length 95mm flange width 95mm hole ø 12mm flange F205 ball bearing UC205G2 FH 27mm		
For models:	IM25C, IM25CN, IM25E, IM25F, IM25FN, IM25S, IM25SN, IM30L, IM38C, IM38CN, IM38E, IM38F, IM38FN, IM38S, IM38SN		




Image not available

1

GEV No.	697279	Ref. No.	SL2647
description	flange bearing type UCF206 shaft ø 30mm 4 hole flange hole distance 83mm H 40mm flange length 108mm flange width 108mm hole ø 12mm flange F206 ball bearing UC206G2 FH 31mm		
For models:	IM50C, IM50CN, IM50F, IM50FN, IM50S, IM50SN		

housing and bezels



1

GEV No.	694805	Ref. No.	SL4145
description	cover for dough mixer L 540mm W 230mm H 115mm plastic		

gearboxes



1

GEV No.	697274	Ref. No.	SL1113
description	gearbox motor shaft ø 11mm flange ø 140mm transmission 1/30 drive shaft ø 19mm flange ø1 140mm type width A/F 040 7 S		
For models:	IM20L, IM25SE, IM35SE, IM50SE, IM7S		



1

GEV No.	697275	Ref. No.	SL0042
description	gearbox motor shaft \varnothing 14mm flange \varnothing 160mm transmission 1/28 drive shaft \varnothing 24mm flange \varnothing 160mm 12-18 S-C-F		
For models:	IM12C, IM12E, IM12F, IM12S, IM18C, IM18E, IM18F, IM18S, IM30L		



1

GEV No.	697276	Ref. No.	SL0093
description	gearbox motor shaft \varnothing 19mm flange \varnothing 160mm transmission 1/28 drive shaft \varnothing 28mm flange \varnothing 1200mm type RMI 70FL 25-38 S-C-F		
For models:	IM25C, IM25E, IM25F, IM25S, IM38C, IM38E, IM38F, IM38S		



1

GEV No.	697277	Ref. No.	SL2642
description	gearbox motor shaft \varnothing 24mm flange \varnothing 200mm transmission 1/28 drive shaft \varnothing 32mm flange \varnothing 1200mm type RMI 85FL 50 S-C-F		
For models:	IM50C, IM50F, IM50S		



1

GEV No.	699296	Ref. No.	KA240309-2
description	gearbox \varnothing 36mm H 60mm model K5		
For models:	K5, K50, K5W		

chains


roller chains 05B-1 single



GEV No.	697259	Ref. No.	SL1118 SL3364
description	chain DIN/ISO 05 B-1 splitting 8mm links 63 internal width 3mm roller \varnothing 5mm single		
For models:	IM7S, IM7SN		



1

GEV No.	697282	Ref. No.	SL2682
description	chain DIN/ISO 05 B-1 splitting 8mm links 71 internal width 3mm roller \varnothing 5mm single		
For models:	IM12C, IM12CN, IM12F, IM12FN, IM18C, IM18CN, IM18F, IM18FN		
accessories for	697282		
	GEV No.	697264	Ref. No. SL1545
	connector single DIN/ISO 05 B-1 splitting 8mm		



1

GEV No.	697260	Ref. No.	SL0058
description	chain DIN/ISO 05 B-1 splitting 8mm links 72 internal width 3mm roller \varnothing 5mm single		
For models:	IM12E, IM12S, IM12SN, IM18E, IM18S, IM18SN		

roller chains 06B-1 single



1

GEV No.	697200	Ref. No.	SL1111
description	roller chain DIN/ISO 06 B-1 splitting 3/8" / 9.525mm links 35 internal width 5.72mm roller \varnothing 6.35mm single		
For models:	IM7S, IM7SN		



1

GEV No.	697204	Ref. No.	SL2681
description	roller chain DIN/ISO 06 B-1 splitting 3/8" / 9.525mm links 36 internal width 5.72mm roller \varnothing 6.35mm single		
For models:	IM12CN, IM12FN, IM18C, IM18CN, IM18F, IM18FN		




1

GEV No.	697202	Ref. No.	SL0026
description	roller chain DIN/ISO 06 B-1 splitting 3/8" / 9.525mm links 37 internal width 5.72mm roller \varnothing 6.35mm single		
For models:	IM18E, IM18S, IM18SN		



1

GEV No.	697203	Ref. No.	SL2680
description	roller chain DIN/ISO 06 B-1 splitting 3/8" / 9.525mm links 38 internal width 5.72mm roller \varnothing 6.35mm single		
For models:	IM12C, IM12CN, IM12F, IM12FN, IM18CN, IM18FN		
accessories for	697203		
	GEV No.	697069	Ref. No. SL1629
	connector single DIN/ISO 06 B-1 splitting 3/8" links 1 L 17.8mm internal width 8.8mm roller \varnothing 3mm metal		





1



GEV No.	697201	Ref. No.	SL0025
description	roller chain DIN/ISO 06 B-1 splitting 3/8" / 9.525mm links 40 internal width 5.72mm roller \varnothing 6.35mm single		
For models:	IM12E, IM12S, IM12SN		





1 			
GEV No.	697261	Ref. No.	SL0101
description	roller chain DIN/ISO 06 B-1 splitting 3/8" / 9.525mm links 67 internal width 5.72mm rollerø 6.35mm single		
For models:	IM25C, IM25E, IM25F, IM25S		

1 			
GEV No.	697283	Ref. No.	SL2686
description	roller chain DIN/ISO 06 B-1 splitting 3/8" / 9.525mm links 69 internal width 5.72mm rollerø 6.35mm single		
For models:	IM38C, IM38CN, IM38F, IM38FN		


1 			
GEV No.	697262	Ref. No.	SL0102
description	roller chain DIN/ISO 06 B-1 splitting 3/8" / 9.525mm links 71 internal width 5.72mm rollerø 6.35mm single		
For models:	IM25SN, IM38E, IM38S, IM38SN		

1 			
GEV No.	697263	Ref. No.	SL2741
description	roller chain DIN/ISO 06 B-1 splitting 3/8" / 9.525mm links 87 internal width 5.72mm rollerø 6.35mm single		
For models:	IM50C, IM50CN, IM50F, IM50FN, IM50S, IM50SN		
accessories for	697263		
	GEV No.	697069	Ref. No. SL1629
	connector single DIN/ISO 06 B-1 splitting 3/8" links 1 L 17.8mm internal width 8.8mm rollerø 3mm metal		


roller chains 08B-1 single			
1 			
GEV No.	697219	Ref. No.	SL0078 SL0079
description	roller chain DIN/ISO 08 B-1 splitting 1/2" / 12.7mm links 33 internal width 7.75mm rollerø 8.51mm single		
For models:	IM25C, IM25E, IM25F, IM25S, IM38E, IM38S, IM38SN		


1 			
GEV No.	697220	Ref. No.	SL3438
description	roller chain DIN/ISO 08 B-1 splitting 1/2" / 12.7mm links 34 internal width 7.75mm rollerø 8.51mm single		
For models:	IM38CN, IM38FN		

roller chains 10B-1 single			
1 			
GEV No.	697221	Ref. No.	SL2740
description	chain DIN/ISO 10 B-1 splitting 5/8" / 15.875mm links 33 internal width 9.65mm rollerø 10.16mm single		
For models:	IM50C, IM50CN, IM50F, IM50FN, IM50S, IM50SN		

connectors			
1 			
GEV No.	697264	Ref. No.	SL1545
description	connector single DIN/ISO 05 B-1 splitting 8mm		
For models:	IM12C, IM12CN, IM12E, IM12F, IM12FN, IM12S, IM12SN, IM18C, IM18CN, IM18E, IM18F, IM18FN, IM18S, IM18SN, IM20L, IM7S, IM7SN		

1 			
GEV No.	697069	Ref. No.	SL1629
description	connector single DIN/ISO 06 B-1 splitting 3/8" links 1 L 17.8mm internal width 8.8mm rollerø 3mm metal		
For models:	IM12C, IM12CN, IM12E, IM12F, IM12FN, IM12S, IM12SN, IM18C, IM18CN, IM18E, IM18F, IM18FN, IM18S, IM18SN, IM20L, IM25C, IM25CN, IM25E, IM25F, IM25FN, IM25S, IM25SN, IM30L, IM38C, IM38CN, IM38E, IM38F, IM38FN, IM38S, IM38SN, IM50C, IM50CN, IM50F, IM50FN, IM50S, IM50SN, IM7S, IM7SN, IP10, SI320, SI420, SI520		

1 			
GEV No.	693276	Ref. No.	SL1632
description	connector single DIN/ISO 08 B-1 splitting 1/2" links 1 L 23mm internal width 11.8mm rollerø 4.3mm metal		
For models:	IM25C, IM25CN, IM25E, IM25F, IM25FN, IM25S, IM25SN, IM30L, IM38C, IM38CN, IM38E, IM38F, IM38FN, IM38S, IM38SN, IP20		

1 			
GEV No.	697222	Ref. No.	SL2776
description	connector single DIN/ISO 10 B-1 splitting 5/8" links 1 L 29.5mm internal width 13.5mm rollerø 5mm metal		
For models:	IM50C, IM50CN, IM50F, IM50FN, IM50S, IM50SN		

dough hooks

with mounting thread



1

GEV No.	697153	Ref. No.	SL0069
description	dough hook thread M18x1.5 usable height 290mm 25-38 S-C-F		
For models:	IM25C, IM25CN, IM25E, IM25F, IM25FN, IM25S, IM25SE, IM25SM, IM25SN, IM35SE, IM35SM, IM38C, IM38CN, IM38E, IM38F, IM38FN, IM38S, IM38SN		



1

GEV No.	697154	Ref. No.	SL1369
description	dough hook thread M24x2 usable height 360mm 50 S-C-F		
For models:	IM50C, IM50CN, IM50F, IM50FN, IM50S, IM50SE, IM50SN		

with mounting groove



1

GEV No.	697151	Ref. No.	SL1107
description	dough hook shaft ø 17mm usable height 225mm 7 S		
For models:	IM7S, IM7SN		




1


GEV No.	697117	Ref. No.	SL0011
description	dough hook shaft ø 17mm usable height 235mm 12-18 S-C-F		
For models:	IM12C, IM12CN, IM12F, IM12FN, IM12S, IM12SN, IM18C, IM18CN, IM18F, IM18FN, IM18S, IM18SN		



1

GEV No.	697852	Ref. No.	SA1030
description	dough hook shaft ø 25mm usable height 290mm 25-38 SN,CN,FN		
For models:	IM25CN, IM25FN, IM25SN, IM38CN, IM38FN, IM38SN		

spare parts for	697852			
	GEV No.	697153	Ref. No.	SL0069
description	dough hook thread M18x1.5 usable height 290mm 25-38 S-C-F			

accessories for	697852			
	GEV No.	697784	Ref. No.	SL2057
description	slot nut W 8mm H 7mm L 20mm			

bearing blocks



1

GEV No.	698473	Ref. No.	SA4100
description	bearing block for dough hook complete mounting pos. upper ø 121mm H 85mm 25-38 S-C-F stainless steel		
For models:	IM25C, IM25E, IM25F, IM25S, IM38C, IM38E, IM38F, IM38S		



1


GEV No.	697194	Ref. No.	SL2838
description	bearing block		
For models:	IM50C, IM50CN, IM50F, IM50FN		





1


GEV No.	697215	Ref. No.	SL2724
description	bearing block		
For models:	IM50C, IM50F, IM50S		






 <p>1</p>			
GEV No.	697216	Ref. No.	SL3209
description	bearing block		
For models:	IM50CN, IM50FN, IM50SN		


 <p>1</p>			
GEV No.	697253	Ref. No.	SL2723
description	bearing block for mixer bowl mounting pos. lower ø 180mm ID ø 52mm H 88mm 50 S-C-F		
For models:	IM50C, IM50CN, IM50F, IM50FN, IM50S, IM50SN		


 <p>1</p>			
GEV No.	697196	Ref. No.	SL0022
description	bearing block for dough hook mounting pos. upper ø 103mm ID ø 40mm H 55mm 7-12-18 S-C-F		
For models:	IM12C, IM12CN, IM12F, IM12FN, IM12S, IM12SN, IM18C, IM18CN, IM18F, IM18FN, IM18S, IM18SN, IM20L, IM7S, IM7SN		


 <p>1</p>			
GEV No.	697197	Ref. No.	SL2626
description	bearing block mounting pos. upper ø 100mm ID ø 42mm H 55mm edition until 08/2003 12-18 C-F		
For models:	IM12C, IM12CN, IM12F, IM12FN, IM18C, IM18CN, IM18F, IM18FN		


 <p>1</p>							
GEV No.	699593	Ref. No.	SA1029				
description	bearing block for dough hook with ball bearing mounting pos. upper ø 120mm ID ø 52mm H 59mm for 25SN/38SN						
For models:	IM25SN, IM38SN						
spare parts for	699593						
 <table border="1"> <tr> <td>GEV No.</td> <td>523513</td> <td>Ref. No.</td> <td>SL0233</td> </tr> </table> <p>deep-groove ball bearing type 6205-2RS shaft ø 25mm ED ø 52mm W 15mm with sealing discs deep-groove ball bearing DIN 625-1</p>				GEV No.	523513	Ref. No.	SL0233
GEV No.	523513	Ref. No.	SL0233				

 <p>1</p>			
GEV No.	697211	Ref. No.	SL2627
description	bearing block mounting pos. upper ø 120mm ID ø 47mm H 48mm 25-38 C-F		
For models:	IM25C, IM25CN, IM25F, IM25FN, IM38C, IM38CN, IM38F, IM38FN		

 <p>1</p>			
GEV No.	697251	Ref. No.	SL0016
description	bearing block for mixer bowl mounting pos. lower ø 103mm ID ø 40mm H 58mm 7-12-18 S-C-F		
For models:	IM12C, IM12CN, IM12E, IM12F, IM12FN, IM12S, IM12SN, IM18C, IM18CN, IM18E, IM18F, IM18FN, IM18S, IM18SN, IM20L, IM7S, IM7SN		

 <p>1</p>			
GEV No.	697199	Ref. No.	SL2542
description	bearing block for dough hook ø 115mm ID ø 42mm H 62mm edition until 08/2003 12-18 C-F		
For models:	IM12C, IM18C		

 <p>1</p>			
GEV No.	697252	Ref. No.	SL0074
description	bearing block for mixer bowl mounting pos. lower ø 145mm ID ø 42mm int. ø 147mm H 79mm 25-38 S-C-F		
For models:	IM25C, IM25CN, IM25E, IM25F, IM25FN, IM25S, IM25SN, IM30L, IM38C, IM38CN, IM38E, IM38F, IM38FN, IM38S, IM38SN		

 <p>1</p>			
GEV No.	697213	Ref. No.	SL2543
description	bearing block for dough hook ø 140mm ID ø 55mm H 68mm edition until 08/2003 25-38 C-F		
For models:	IM25C, IM25F, IM38C, IM38F		

mixer bowls

fasteners

transmission technology and ball bearings

drive flanges



1

GEV No.	697173	Ref. No.	SL2635
description	drive flange \varnothing 280mm ID \varnothing 50mm thickness 3mm 12-18 C		
For models:	IM12C, IM12CN, IM12FN, IM18C, IM18CN		



1

GEV No.	697174	Ref. No.	SL2636
description	drive flange \varnothing 330mm ID \varnothing 60mm thickness 4mm 25-38 C		
For models:	IM25C, IM25CN, IM25F, IM25FN, IM38C, IM38CN, IM38F		



1

GEV No.	697175	Ref. No.	SL1302
description	drive flange \varnothing 430mm ID \varnothing 60mm thickness 6mm 50 C		
For models:	IM50C, IM50CN, IM50SE		

mounting flanges



1

GEV No.	697182	Ref. No.	SL2632
description	mounting flange \varnothing 300mm ID \varnothing 113mm thickness 3mm 12 C		
For models:	IM12C, IM12CN		



1

GEV No.	697183	Ref. No.	SL2633
description	mounting flange \varnothing 340mm ID \varnothing 113mm thickness 3mm 18 C		
For models:	IM18C, IM18CN		



1

GEV No.	697184	Ref. No.	SL2637
description	mounting flange \varnothing 380mm ID \varnothing 168mm thickness 4mm 25 C		
For models:	IM25C, IM25CN		



1

GEV No.	697185	Ref. No.	SL2634
description	mounting flange \varnothing 430mm ID \varnothing 168mm thickness 4mm 38 C		
For models:	IM38C, IM38CN		



1

GEV No.	697186	Ref. No.	SL1303
description	mounting flange \varnothing 480mm ID \varnothing 198mm thickness 6mm 50 C		
For models:	IM50C, IM50CN, IM50SE		



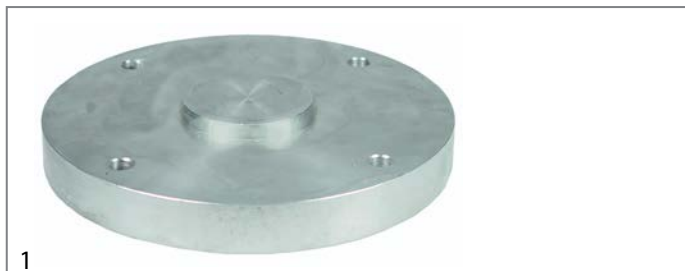
flanges



GEV No.	697191	Ref. No.	SL2867
description	flange for mixer bowl 25-38 F		
For models:	IM25CN, IM25F, IM25FN, IM38F, IM38FN		



GEV No.	697190	Ref. No.	SL2866
description	flange for mixer bowl \varnothing 105mm D1 \varnothing 50mm thickness 23mm 12-18 F		
For models:	IM12CN, IM12F, IM12FN, IM18F, IM18FN		



GEV No.	697192	Ref. No.	SL2868
description	flange for mixer bowl \varnothing 180mm D1 \varnothing 60mm thickness 28mm 50 F		
For models:	IM50F, IM50FN		



GEV No.	697187	Ref. No.	SL2620
description	flange for mounting flange \varnothing 120mm D1 \varnothing 50mm thickness 20mm 12-18 C		
For models:	IM12C, IM12CN, IM12FN, IM18C, IM18CN		

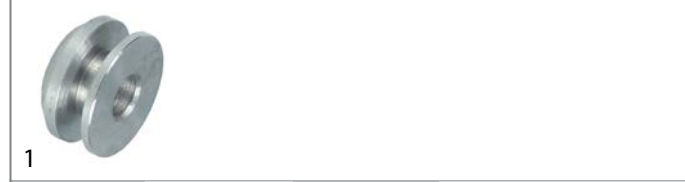


GEV No.	697188	Ref. No.	SL2621
description	flange for mounting flange \varnothing 180mm D1 \varnothing 60mm thickness 22mm 25-38 C		
For models:	IM25C, IM25CN, IM25FN, IM38C, IM38CN		



GEV No.	697189	Ref. No.	SL2839
description	flange for mounting flange \varnothing 210mm D1 \varnothing 60mm thickness 26mm 50 C		
For models:	IM50C, IM50CN		

bolts



GEV No.	697176	Ref. No.	SL2622
description	bolt \varnothing 24mm 12-18 C		
For models:	IM12C, IM12CN, IM12FN, IM18C, IM18CN		



GEV No.	697177	Ref. No.	SL2623
description	bolt \varnothing 29mm ID \varnothing 8.5mm 25-38 C		
For models:	IM25C, IM25CN, IM25FN, IM38C, IM38CN		



GEV No.	697178	Ref. No.	SL1932
description	bolt \varnothing 29mm ID \varnothing 8.5mm 50 C		
For models:	IM25E, IM25SE, IM25SM, IM35SE, IM35SM, IM38E, IM50C, IM50CN, IM50SE		

sealing washers



1

GEV No.	697179	Ref. No.	SL1890
description	gasket for mounting flange ID ø 300-340mm 12-18 C		
For models:	IM12C, IM12CN, IM12E, IM12FN, IM18C, IM18CN, IM18E		



1

GEV No.	697180	Ref. No.	SL1034
description	gasket for mounting flange ID ø 380-430mm 25-38 C		
For models:	IM25C, IM25CN, IM25E, IM25SE, IM25SM		



1

GEV No.	697181	Ref. No.	SL1334
description	gasket for mounting flange ID ø 430mm 50 C		
For models:	IM35SE, IM35SM, IM38C, IM38CN, IM38E, IM50C, IM50CN, IM50SE		

mixer bowls



1

GEV No.	697155	Ref. No.	SL1106
description	mixer bowl for dough mixer ID ø 260mm H 200mm fixed 7 S		
For models:	IM7S, IM7SN		



1

GEV No.	697162	Ref. No.	SA1150
description	mixer bowl for dough mixer ID ø 320mm H 210mm detachable 12 C		
For models:	IM12C, IM12CN		



1

GEV No.	697156	Ref. No.	SL0008
description	mixer bowl for dough mixer ID ø 320mm H 210mm fixed 12 S-F		
For models:	IM12F, IM12FN, IM12S, IM12SN, IM18F		



1

GEV No.	697163	Ref. No.	SA1160
description	mixer bowl for dough mixer ID ø 360mm H 210mm detachable 18 C		
For models:	IM18C, IM18CN		




1

GEV No.	697157	Ref. No.	SL0009
description	mixer bowl for dough mixer ID ø 360mm H 210mm fixed 18 S-F		
For models:	IM18F, IM18FN, IM18S, IM18SN, IM20L		




1


Image not available


GEV No.	697164	Ref. No.	SA1170
description	mixer bowl for dough mixer ID ø 400mm H 260mm detachable 25 C		
For models:	IM25C, IM25CN, IM25F		

1


Image not available


GEV No.	697166	Ref. No.	SA1190
description	mixer bowl for dough mixer ID ø 500mm H 310mm detachable 50 C		
For models:	IM50C, IM50CN		

2


Image not available

GEV No.	697158	Ref. No.	SL0067
description	mixer bowl for dough mixer ID ø 400mm H 260mm fixed 25 S-F		
For models:	IM25F, IM25FN, IM25S, IM25SN, IM30L		

1


Image not available

GEV No.	697161	Ref. No.	SL1304
description	mixer bowl for dough mixer ID ø 500mm H 310mm fixed 50 S-F		
For models:	IM50F, IM50FN, IM50S, IM50SE, IM50SN		


1



GEV No.	697165	Ref. No.	SA1180
description	mixer bowl for dough mixer ID ø 450mm H 260mm detachable 38 C		
For models:	IM38C, IM38CN		


dough separator

1




GEV No.	697167	Ref. No.	SL1108
description	pastry rod L 282mm W 25mm thickness 12mm hole distance 45mm hole ø 9mm 7 S		
For models:	IM7S		

1



GEV No.	697168	Ref. No.	SL0013
description	pastry rod L 300mm W 25mm thickness 12mm hole distance 45mm hole ø 9mm 12-18 S-C-F		
For models:	IM12C, IM12F, IM12S, IM18C, IM18F, IM18S		

1


Image not available


GEV No.	697159	Ref. No.	SL0068
description	mixer bowl for dough mixer ID ø 450mm H 260mm fixed 38 S-F		
For models:	IM38F, IM38FN, IM38S, IM38SN		


1




GEV No.	697169	Ref. No.	SL0071 SL3371
description	pastry rod L 367mm W 25mm thickness 12mm hole distance 45mm hole ø 11mm 25-38 S-C-F		
For models:	IM25C, IM25CN, IM25F, IM25FN, IM25S, IM25SN, IM38C, IM38CN, IM38F, IM38FN, IM38S, IM38SN		


			
1			
GEV No.	697170	Ref. No.	SL2726
description	pastry rod L 490mm W 25mm thickness 20mm hole distance 45mm hole ø 11mm 50 S-C-F		
For models:	IM50C, IM50CN, IM50F, IM50FN, IM50S, IM50SN		


spindles			
for lids			
			
1			
GEV No.	697145	Ref. No.	SL1110
description	spindle for lid ø 15mm L 173mm		
For models:	IM7S, IM7SN		


			
1			
GEV No.	697146	Ref. No.	SL0021
description	spindle for lid ø 15mm L 199mm		
For models:	IM12C, IM12CN, IM12E, IM12F, IM12FN, IM12S, IM12SN, IM18C, IM18CN, IM18E, IM18F, IM18FN, IM18S, IM18SN, IM20L		


			
1			
GEV No.	697147	Ref. No.	SL0076
description	spindle for lid ø 15mm L 244mm		
For models:	IM25C, IM25CN, IM25E, IM25F, IM25FN, IM25S, IM25SN, IM30L, IM38C, IM38CN, IM38E, IM38F, IM38FN, IM38S, IM38SN, IP10, IP20		


			
1			
GEV No.	697148	Ref. No.	SL2727
description	spindle for lid ø 15mm L 283mm		
For models:	IM50C, IM50CN, IM50F, IM50FN, IM50S, IM50SN		


for mixer bowls			
			
1			
GEV No.	697114	Ref. No.	SL0014
description	spindle for mixer bowl ø 17mm D1 ø 20mm L 127mm 7-12-18 S-C-F		
For models:	IM12C, IM12CN, IM12E, IM12F, IM12FN, IM12S, IM12SN, IM18C, IM18CN, IM18E, IM18F, IM18FN, IM18S, IM18SN, IM20L, IM7S, IM7SN		

			
1			
GEV No.	697115	Ref. No.	SL0072
description	spindle for mixer bowl ø 20mm D1 ø 25mm L 138mm 25-38 S-C-F		
For models:	IM25C, IM25CN, IM25E, IM25F, IM25FN, IM25S, IM25SN, IM30L, IM38C, IM38CN, IM38E, IM38F, IM38FN, IM38S, IM38SN		

			
1			
GEV No.	697258	Ref. No.	SL2728
description	spindle for mixer bowl ø 25mm D1 ø 30mm L 160mm 50 S-C-F		
For models:	IM50C, IM50CN, IM50F, IM50FN, IM50S, IM50SN		


miscellaneous			
			
1			
GEV No.	698900	Ref. No.	SL3204
description	spindle		
For models:	IM25CN, IM25FN, IM38CN, IM38FN		


			
1			
GEV No.	697268	Ref. No.	SL2624
description	spindle ø 12mm L 170mm		
For models:	IM12C, IM12CN, IM12F, IM12FN, IM18C, IM18CN, IM18F, IM18FN		


			
1			
GEV No.	697269	Ref. No.	SL2625
description	spindle ø 12mm L 190mm		
For models:	IM25C, IM25CN, IM25F, IM25FN, IM38C, IM38CN, IM38F, IM38FN		




			
1			
GEV No.	697270	Ref. No.	SL2842
description	spindle ø 12mm L 234mm		
For models:	IM50C, IM50CN, IM50F, IM50FN		


gear wheels			
			
1			
GEV No.	697240	Ref. No.	SL0044
description	sprocket-wheel DIN/ISO 05 B-1 splitting 8mm teeth 16 shaft intake ø 20mm H 14mm 7-12-18 S-C-F		
For models:	IM12C, IM12E, IM12F, IM12S, IM18C, IM18E, IM18F, IM18S, IM20L, IM7S		


			
1			
GEV No.	697254	Ref. No.	SL1117
description	sprocket-wheel DIN/ISO 05 B-1 splitting 8mm teeth 76 shaft intake ø 50mm H 4mm 7 S		
For models:	IM7S, IM7SN		


			
1			
GEV No.	697255	Ref. No.	SL0057
description	sprocket-wheel DIN/ISO 05 B-1 splitting 8mm teeth 85 shaft intake ø 50mm H 4mm 12-18 S-C-F		
For models:	IM12C, IM12CN, IM12E, IM12F, IM12FN, IM12S, IM12SN, IM18C, IM18CN, IM18E, IM18F, IM18FN, IM18S, IM18SN, IM20L		

			
1			
GEV No.	697257	Ref. No.	SL2646
description	sprocket-wheel DIN/ISO 06 B-1 splitting 3/8" teeth 110 shaft intake ø 80mm H 5mm 50 S-C-F		
For models:	IM50C, IM50CN, IM50F, IM50FN, IM50S, IM50SN		


			
1			
GEV No.	697193	Ref. No.	SL0024
description	sprocket-wheel DIN/ISO 06 B-1 splitting 3/8" teeth 15 shaft intake ø 17mm H 25mm 7-12-18 S-C-F		
For models:	IM12C, IM12CN, IM12E, IM12F, IM12FN, IM12S, IM12SN, IM18C, IM18CN, IM18E, IM18F, IM18FN, IM18S, IM18SN, IM20L, IM7S, IM7SN		


			
1			
GEV No.	697241	Ref. No.	SL0094
description	sprocket-wheel DIN/ISO 06 B-1 splitting 3/8" teeth 16 shaft intake ø 25mm H 28mm 25-38 S-C-F		
For models:	IM25C, IM25E, IM25F, IM25S, IM30L, IM38C, IM38E, IM38F, IM38S		

			
1			
GEV No.	697242	Ref. No.	SL2645
description	sprocket-wheel DIN/ISO 06 B-1 splitting 3/8" teeth 20 shaft intake ø 30mm H 28mm 50 S-C-F		
For models:	IM50C, IM50F, IM50S		

			
1			
GEV No.	697206	Ref. No.	SL0030
description	sprocket-wheel DIN/ISO 06 B-1 splitting 3/8" teeth 29 shaft intake ø 17mm H 28mm 7-12-18 S-C-F		
For models:	IM12C, IM12CN, IM12E, IM12F, IM12FN, IM12S, IM12SN, IM18C, IM18CN, IM18E, IM18F, IM18FN, IM18S, IM18SN, IM20L, IM7S, IM7SN		

			
1			
GEV No.	697256	Ref. No.	SL0100
description	sprocket-wheel DIN/ISO 06 B-1 splitting 3/8" teeth 85 shaft intake ø 60mm H 5mm 25-38 S-C-F		
For models:	IM25C, IM25CN, IM25E, IM25F, IM25FN, IM25S, IM25SN, IM30L, IM38C, IM38CN, IM38E, IM38F, IM38FN, IM38S, IM38SN		

			
1			
GEV No.	697209	Ref. No.	SL2691
description	sprocket-wheel DIN/ISO 08 B-1 splitting 1/2" teeth 15 shaft intake ø 20mm H 26mm 25-38 C-F edition until 08/2003		
For models:	IM25C, IM25F, IM30L, IM38C, IM38F		

			
1			
GEV No.	697207	Ref. No.	SA8400
description	sprocket-wheel DIN/ISO 08 B-1 splitting 1/2" teeth 15 shaft intake ø 30mm H 85mm with spindle 25-38 S-C-F		
For models:	IM25C, IM25E, IM25F, IM25S, IM38C, IM38E, IM38F, IM38S		



1

GEV No.	697223	Ref. No.	SL0084
description	sprocket-wheel DIN/ISO 08 B-1 splitting 1/2" teeth 29 shaft intake ϕ 20mm H 30mm 25-38 S-C-F		
For models:	IM25C, IM25CN, IM25E, IM25F, IM25FN, IM25S, IM25SN, IM30L, IM38C, IM38CN, IM38E, IM38F, IM38FN, IM38S, IM38SN		



1

GEV No.	698415	Ref. No.	SA1047
description	sprocket-wheel DIN/ISO 08 B-1 splitting 1/2" teeth 29 shaft intake ϕ 30mm H 107mm		
For models:	IM25CN, IM25FN, IM38CN, IM38FN		



1

GEV No.	697214	Ref. No.	SL2733
description	sprocket-wheel DIN/ISO 10 B-1 splitting 5/8" teeth 15 shaft intake ϕ 25mm H 30mm 50 S-C-F		
For models:	IM50C, IM50CN, IM50F, IM50FN, IM50S, IM50SN		



1

GEV No.	697224	Ref. No.	SL2734
description	sprocket-wheel DIN/ISO 10 B-1 splitting 5/8" teeth 24 shaft intake ϕ 25mm H 30mm 50 S-C-F		
For models:	IM50C, IM50CN, IM50F, IM50FN, IM50S, IM50SN		

accessories



1

GEV No.	697248	Ref. No.	SL2524
description	coupling ϕ 40mm H 38mm shaft intake ϕ 17mm 12-18 C-F		
For models:	IM12C, IM12CN, IM12F, IM12FN, IM18C, IM18CN, IM18F, IM18FN		



1

GEV No.	697848	Ref. No.	SL3205
description	coupling ϕ 40mm H 38mm shaft intake ϕ 17mm 12-18 CN-FN		
For models:	IM12CN, IM12FN, IM18CN, IM18FN		



1

GEV No.	697250	Ref. No.	SL2831
description	coupling ϕ 60mm H 70mm shaft intake ϕ 30mm 50 C-F		
For models:	IM50C, IM50CN, IM50F, IM50FN		

miscellaneous



1

GEV No.	697150	Ref. No.	SL0036
description	bush for microswitch ID ϕ 15mm		
For models:	IM12C, IM12CN, IM12E, IM12F, IM12FN, IM12S, IM12SN, IM18C, IM18CN, IM18E, IM18F, IM18FN, IM18S, IM18SN, IM20L, IM25C, IM25CN, IM25E, IM25F, IM25FN, IM25S, IM25SE, IM25SM, IM25SN, IM30L, IM35SE, IM35SM, IM38C, IM38CN, IM38E, IM38F, IM38FN, IM38S, IM38SN, IM50C, IM50CN, IM50F, IM50FN, IM50S, IM50SE, IM50SN, IM7S, IM7SN, IP10, IP20		



1

GEV No.	697218	Ref. No.	SL2725 SL3089
description	flange for dough hook ϕ 210mm		
For models:	IM50C, IM50CN, IM50F, IM50FN, IM50S, IM50SN		



1

GEV No.	697281	Ref. No.	SL2638
description	protector for mixer bowl L 205mm H 125mm		
For models:	IM12S, IM12SN, IM18S, IM18SN, IM20L		




1

GEV No.	697149	Ref. No.	SL0035
description	stop for lid ID ø 15mm thread M8		
For models:	2000, IM12C, IM12CN, IM12E, IM12F, IM12FN, IM12S, IM12SN, IM18C, IM18CN, IM18F, IM18FN, IM20L, IM25C, IM25CN, IM25E, IM25F, IM25FN, IM25S, IM25SE, IM25SM, IM25SN, IM30L, IM35SE, IM35SM, IM38C, IM38CN, IM38E, IM38F, IM38FN, IM38S, IM38SN, IM50C, IM50CN, IM50F, IM50FN, IM50S, IM50SE, IM50SN, IM7S, IM7SN, IP10, IP20		

for planetary mixers


gearboxes



1

GEV No.	699296	Ref. No.	KA240309-2
description	gearbox ø 36mm H 60mm model K5		
For models:	K5, K50, K5W		


beaters



1

GEV No.	692881	Ref. No.	ACRF20BR
description	stirrer for planetary mixer shaft ø 25 H 320mm W 205mm		
For models:	IP20F		

beaters



1

GEV No.	699393	Ref. No.	ACKA5WW
description	whisk shaft intake ø 12.7mm H 185mm suitable for KitchenAid		

gear wheels



1


GEV No.	699594	Ref. No.	CO0548
description	gear wheel ø 56mm shaft intake ø 19mm W 19mm teeth 24 brass tooth width 15.5mm		
For models:	IP20F		

miscellaneous



1

GEV No.	699595	Ref. No.	CO0578
description	coupling titanium ED ø 40mm ID ø 30mm 52 H 25mm		
For models:	IP30F, IP40F		



1

GEV No.	699476	Ref. No.	KA3182857
description	spring KitchenAid		
For models:	K5, K50, K5W		

for dough roller

wipers



1

GEV No.	693895	Ref. No.	CO1914
description	wiper for dough roller L 330mm mounting pos. front P30		
For models:	FI30, FIP30, FP30, FPP30		



1

GEV No.	693898	Ref. No.	CO1913
description	wiper for dough roller L 330mm mounting pos. rear P30		
For models:	FI30, FIP30, FP30, FPP30		



1

GEV No.	698586	Ref. No.	SA1280
description	wiper for dough roller L 420/460mm mounting pos. bottom at the back FI42/FIP42		
For models:	FI42, FIP42		



1

GEV No.	698585	Ref. No.	SA1270
description	wiper for dough roller L 420/460mm mounting pos. bottom in the front FI42/FIP42		
For models:	FI42, FIP42		



1


GEV No.	693896	Ref. No.	CO1912
description	wiper for dough roller L 456mm mounting pos. front P40		
For models:	FI40, FIP40, FP40, FPP40		



1

GEV No.	693899	Ref. No.	CO1911
description	wiper for dough roller L 456mm mounting pos. rear P40		
For models:	FI40, FIP40, FP40, FPP40		

roll units (complete)



1

GEV No.	696580	Ref. No.	SA1285
description	roller assembly L 165mm mounting pos. upper		
For models:	FI32		

rollers



1

GEV No.	698593	Ref. No.	SL2443 SL2443R0 SL2443R1
description	roller for dough roller suitable for FIMAR for model FI32 L 320mm ø 55mm mounting pos. bottom at the back		
For models:	FI32, FIP42		




1

GEV No.	698594	Ref. No.	SL2444 SL2444R0
description	roller for dough roller suitable for FIMAR for model FI32 L 320mm ø 55mm mounting pos. bottom in the front		
For models:	FI32, FIP42		



1

GEV No.	698590	Ref. No.	SL2446 SL2446R1
description	roller for dough roller suitable for FIMAR for model FI42 L 420mm ø 55mm mounting pos. bottom in the front		
For models:	FI42, FIP42		



2

GEV No.	698589	Ref. No.	SL2449 SL2449R0
description	roller for dough roller suitable for FIMAR for model FI42 L 215mm ø 55mm mounting pos. upper at the back		
For models:	FI42		



1

GEV No.	693908	Ref. No.	CO1829
description	roller L 298mm ø 48mm mounting pos. bottom in the front		
For models:	FI30, FIP30, FP30, FPP30		



1

GEV No.	698587	Ref. No.	SL2450 SL2450R0
description	roller for dough roller suitable for FIMAR for model FI42 L 215mm ø 55mm mounting pos. upper in the front		
For models:	FI42		



1

GEV No.	696990	Ref. No.	KR-A09
description	roller assembly kit for model SM220 SE220 L 270mm ø 40mm		
For models:	SE220, SM220		



1

GEV No.	698592	Ref. No.	SL2445 SL2445R1
description	roller for dough roller suitable for FIMAR for model FI42 L 420mm ø 55mm mounting pos. bottom at the back		
For models:	FI42, FIP42		

holders




1


GEV No.	694566	Ref. No.	CO1839
description	bracket for dough roller complete with handle hole ø 10mm H 20mm hole distance 32mm red		
For models:	FI30, FI40, FIP30, FIP40, FP30, FP40, FPP30, FPP40		

			
1			
GEV No.	692445	Ref. No.	SA1260
description	lever hole \varnothing 10mm H 18.5mm hole distance 32mm		
For models:	FI32, FI42, FIP42		


couplings

			
1			
GEV No.	694396	Ref. No.	SL2430
description	coupling \varnothing 36.5mm ID \varnothing 25mm H 17mm		
For models:	FI32, FI42, FIP42		

			
1			
GEV No.	694395	Ref. No.	SL2429
description	coupling \varnothing 42mm ID \varnothing 18mm H 12mm		
For models:	FI32, FI42, FIP42		

			
1			
GEV No.	693646	Ref. No.	CO1997
description	coupling set \varnothing 42.8mm ID \varnothing 25mm H 21mm		
For models:	FI30, FI40, FIP30, FIP40, FP30, FP40, FPP30, FPP40		

pulleys


			
1			
GEV No.	696456 ¹	Ref. No.	SL2432
description	round belt pulley disc \varnothing 70mm double shaft intake \varnothing 14mm groove depth 3mm disc width 31mm groove width 5mm overall width 31mm ABS plastic		
For models:	FI32, FI42, FIP42		

¹double

			
1			
GEV No.	696795	Ref. No.	SL2433
description	round belt pulley grooves 8 disc \varnothing 105mm shaft intake \varnothing 14mm disc width 31mm groove depth 3mm groove width 5mm overall width 31mm double		
For models:	FI32, FI42, FIP42		

pinions

rear mounting


			
1			
GEV No.	694393	Ref. No.	SL2426
description	pinion \varnothing 46.5mm H 35mm mounting pos. rear ID \varnothing 17mm without coupling for dough roller		
For models:	FI32, FI42, FIP42		


			
1			
GEV No.	697109	Ref. No.	CO1819
description	pinion \varnothing 47.5mm H 35mm mounting pos. rear ID \varnothing 25mm for dough roller		
For models:	FI30, FI40, FIP30, FIP40, FP30, FP40, FPP30, FPP40		

front mounting

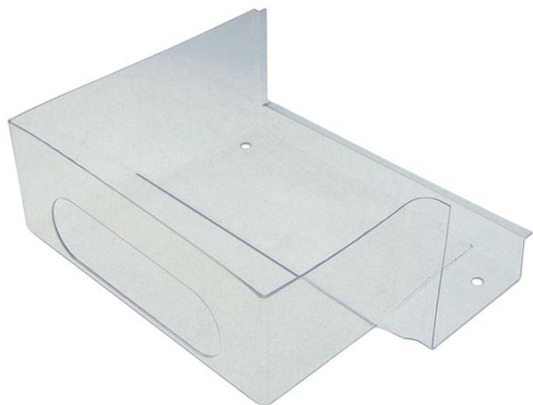
			
1			
GEV No.	694394	Ref. No.	SL2427 SL3252
description	pinion \varnothing 46.5mm H 34mm mounting pos. front ID \varnothing 12mm for coupling for dough roller		
For models:	FI32, FI42, FIP42		





 <p>1</p>			
GEV No.	697108	Ref. No.	CO1818
description	pinion ø 47.5mm H 35mm mounting pos. front ID ø 14mm for dough roller		
For models:	FI30, FI40, FIP30, FIP40, FP30, FP40, FPP30, FPP40		


springs			
 <p>1</p>			
GEV No.	693920	Ref. No.	CO1823 SL2883
description	spring for pinion ø 49mm thickness 1.5mm Qty 2 pcs		
For models:	FI30, FI32, FI40, FI42, FIP30, FIP40, FIP42, FP30, FP40, FPP30, FPP40		

roller covers			
upper			
 <p>1</p>			
GEV No.	696541	Ref. No.	SL2960
description	hand protection mounting pos. upper L 280mm W 277mm H 135mm FI42		
For models:	FI42		

 <p>1</p>			
GEV No.	697307	Ref. No.	CO1900
description	hand protection mounting pos. upper L 290mm W 250mm H 125mm		
For models:	FIP40, FPP40		

 <p>1</p>			
GEV No.	697343	Ref. No.	CO1882
description	hand protection mounting pos. upper L 360mm W 130mm H 250mm P40		
For models:	FI40, FP40		

 <p>1</p>			
GEV No.	696796	Ref. No.	SL4105
description	hand protection mounting pos. upper L 398mm W 245mm H 140mm FIP42N		



1

GEV No.	697342	Ref. No.	CO1847
description	hand protection mounting pos. upper P30		
For models:	FI30, FIP30, FP30, FPP30		

bottom




1

GEV No.	698405	Ref. No.	SL2455
description	hand protection mounting pos. lower L 380mm W 110mm H 75mm FI32		
For models:	FI32		



1


GEV No.	698583	Ref. No.	SL2456
description	hand protection mounting pos. lower L 480mm W 82mm H 80mm FI42/FIP42		
For models:	FI42, FIP42		



1


GEV No.	697341	Ref. No.	CO1848
description	hand protection mounting pos. lower P30		
For models:	FI30, FIP30, FP30, FPP30		

side parts




1

GEV No.	697332	Ref. No.	CO1815
description	side panel for dough roller mounting pos. upper right W 40mm L 125mm H 100mm P30-P40 bore ø 14.3mm depth of bore 19mm		
For models:	FI30, FI40, FIP30, FIP40, FP30, FP40, FPP30, FPP40		




1

GEV No.	697333	Ref. No.	CO1872
description	side panel for dough roller mounting pos. upper right W 40mm L 135mm H 100mm P40T		
For models:	FI40, FIP40, FP40, FPP40		




1

GEV No.	693922	Ref. No.	CO1833
description	side panel for dough roller mounting pos. upper/lower right W 40mm L 125mm H 100mm P30-P40		
For models:	FI30, FI40, FIP30, FIP40, FP30, FP40, FPP30, FPP40		




1


GEV No.	691911	Ref. No.	CO1834
description	side panel for dough roller mounting pos. bottom left W 20mm L 115mm H 80mm P30-P40		
For models:	FI30, FI40, FIP30, FIP40, FP30, FP40, FPP30, FPP40		





1


GEV No.	692040	Ref. No.	CO1816
description	side panel for dough roller mounting pos. upper left W 20mm L 115mm H 80mm P30-P40		
For models:	FI30, FI40, FP30, FP40		

			
1			
GEV No.	697334	Ref. No.	CO1893
description	side panel for dough roller mounting pos. upper left W 20mm L 125mm H 80mm P40T		
For models:	FIP30, FIP40, FPP30, FPP40		

spindles			
			
1			
GEV No.	694392	Ref. No.	SL2425
description	spindle for dough rolling machine ø 24mm L 174mm		
For models:	FI32, FI42, FIP42		

miscellaneous			
			
1			
GEV No.	698417	Ref. No.	SL3019
description	spacer piece for dough roller ø 8mm H 20mm		
For models:	FI32, FI42		

			
1			
GEV No.	697855	Ref. No.	SL2476
description	spacer piece for dough roller ø 8mm L 35mm		
For models:	FI32, FI42, FIP42		

			
1			
GEV No.	698335	Ref. No.	SL2953
description	spacer piece for dough roller ø 8mm thread M4 L 50mm		
For models:	FI32, FI42, FIP42		

for bar blender

- blenders
- jar components
- jars
- complete

			
1			
GEV No.	696347	Ref. No.	ACBP150L
description	blender jar plastic 1500ml with blade		
For models:	FRP150, FRP2150, TFA3P		

			
1			
GEV No.	696437	Ref. No.	ACBP150C
description	blender jar plastic 1500ml with mixer disc		
For models:	FRP150, FRP2150, TFA3P		

lids



1

GEV No.	651060	Ref. No.	CO1407
description	lid ø 130mm rubber nominal-ø 115mm hole ø 44mm		
For models:	FRI150, FRI2150, FRP150, FRP2150, TFA3P, TRGM		

gaskets



1

GEV No.	651007	Ref. No.	CO1402
description	gasket ED ø 75mm ID ø 55mm thickness 3mm Qty 1 pcs		
For models:	FRI150, FRI2150, FRI300, FRP150, FRP2150, FRP300, TFA3P		

holders



1

GEV No.	651052	Ref. No.	CO1403
description	bracket for jar ø 87mm nominal-ø 60mm plastic		
For models:	FRI150, FRI2150, FRI300, FRP150, FRP2150, FRP300, TFA3P		

blades

blades with adaptor (complete)



1

GEV No.	696501	Ref. No.	CO1401
description	slicing unit complete for blenders ø 73mm		
For models:	FRI150, FRI2150, FRI300, FRP150, FRP2150, FRP300, TFA3P		

mixer discs (complete)



1

GEV No.	696542	Ref. No.	CO1400
description	mixer disc complete ø 73mm hole ø 6mm		
For models:	FRI150, FRI2150, FRI300, FRP150, FRP2150, FRP300, TFA3P		

actuators

group 1



1

GEV No.	651041	Ref. No.	CO1757
description	mixer coupling ø 22mm H 13mm IT M6L teeth 4 stainless steel		
For models:	FRI150, FRI2150, FRI300, FRP150, FRP2150, TFA3P		

group 2



1

GEV No.	651061	Ref. No.	CO7092
description	mixer coupling ø 26mm H 10mm teeth 4 rubber		



1

GEV No.	651042	Ref. No.	CO1404
description	mixer coupling ø 32.5mm H 12mm teeth 4 rubber		
For models:	FRI150, FRI2150, FRI300, FRP150, FRP2150, FRP300, TFA3P		

mixers

jars



1

GEV No.	698564	Ref. No.	CO6108
description	blender jar SS ø 104mm H 150mm DMB / DMB20		

holders



1



GEV No.	650100	Ref. No.	CO1005
description	bracket with microswitch for jar W 62mm H 60mm		
For models:	FRU1I, FRU1P, FRU2I, FRU2P		

for hand blenders

spare parts and accessories



1

GEV No.	697846	Ref. No.	SA1051	
description	coupling with drive shaft ø 40mm shaft intake ø 17mm 12-18 CN-FN			
spare parts for	697846			
	GEV No.	697847	Ref. No.	SL3203
	drive shaft D1 ø 20mm for coupling ø 17mm L 113mm 12-18 CN-FN			
	GEV No.	697848	Ref. No.	SL3205
	coupling ø 40mm H 38mm shaft intake ø 17mm 12-18 CN-FN			



1

GEV No.	698320	Ref. No.	SA1101
description	coupling with drive shaft ø 50mm H 135mm shaft intake ø 20mm 25-38 C-F		

flanges



1

GEV No.	698354	Ref. No.	SL3612
description	flange for hand blender ø 92mm H 40mm MX40 / MX42S		
For models:	FX40, FX42S, MX40, MX42S		



1

GEV No.	696798	Ref. No.	SL3386
description	flange green ø 90mm H 44mm MX25		
For models:	MX25		




1

GEV No.	697400	Ref. No.	SL0732
description	flange ø 92mm H 48mm FM3		
For models:	FM3		

housings




1

GEV No.	699140	Ref. No.	SL3385
description	housing left green MX25 L 275mm ø 100mm		
For models:	MX25		
accessories for	699140		
	GEV No.	699138	Ref. No. SL3384
	housing right green MX25 L 275mm ø 100mm		




1

GEV No.	699138	Ref. No.	SL3384
description	housing right green MX25 L 275mm ø 100mm		
For models:	MX25		
accessories for	699138		
	GEV No.	699140	Ref. No. SL3385
	housing left green MX25 L 275mm ø 100mm		




1

GEV No.	699137	Ref. No.	SL3081
description	housing left green MX40 / MX42S L 330mm ø 120mm		
For models:	MX40, MX42S		
accessories for	699137		
	GEV No.	699136	Ref. No. SL3080
	housing right green MX40 / MX42S L 330mm ø 120mm		



1

GEV No.	699136	Ref. No.	SL3080
description	housing right green MX40 / MX42S L 330mm ø 120mm		
For models:	MX40, MX42S		
accessories for	699136		
	GEV No.	699137	Ref. No. SL3081
	housing left green MX40 / MX42S L 330mm ø 120mm		




1

GEV No.	699009	Ref. No.	SA1201 SL0730 SL0731
description	housing left/right blue model FM3		
For models:	FM3		

couplings



1


GEV No.	699008	Ref. No.	SL1496
description	coupling D1 ø 20mm D2 ø 23mm int. ø 1 8mm int. ø 2 8mm L 33.5mm FM3		
For models:	FM3		
accessories for	699008		
	GEV No.	697417	Ref. No. SL0129
	grub screw thread M5 L 10mm stainless steel DIN 914/ISO 4027 WS 2.5 with spike Qty 1 pcs		



1


GEV No.	692146	Ref. No.	SA1063 SL3589
description	coupling with pin D1 ø 20mm D2 ø 25mm L 34mm		
For models:	FX40, FX42S, MX25, MX40, MX42S		




 <p>1</p>			
GEV No.	697856	Ref. No.	SL3611
description	insert for coupling rubber ø 8mm H 6mm		
For models:	FX40, FX42S, MX25, MX40, MX42S		

blender sticks


bearing blocks

 <p>1</p>			
GEV No.	697914	Ref. No.	SL3349
description	bearing block hole ø 15mm H 76mm		
For models:	MX25		

 <p>1</p>			
GEV No.	697406	Ref. No.	SL0775 SL3415
description	blender attachment mounting pos. lower ø 95mm ID ø 25mm H 84mm FM3		
For models:	FM3, FX40, FX42S, MX40, MX42S		


 <p>1</p>			
GEV No.	697412	Ref. No.	SL0740
description	bushing mounting pos. centre ø 25mm ID ø 22mm H 15mm FM3		
For models:	FM3, FX40, FX42S, MX25, MX40, MX42S		

miscellaneous



 <p>1</p>			
GEV No.	697408	Ref. No.	SL0777
description	disc ø 45.5mm ID ø 9mm FM3		
For models:	FM3, FX40, FX42S, MX25, MX40, MX42S		


blades


blades with adaptor (complete)

 <p>1</p>			
GEV No.	697411	Ref. No.	SL0744
description	knife ø 60mm hole ø 8mm H 22mm FM3		
For models:	FM3, FX40, FX42S, MX25, MX40, MX42S		

blender sticks

 <p>1</p>			
GEV No.	698353	Ref. No.	ME4040 MESCFCM340
description	blender stick FM3 L 400mm flange ø 47mm with blade		
For models:	FM3, FX40, FX42S, MX40, MX42S		
spare parts for	698353		
	GEV No.	Ref. No.	SL0744
	 knife ø 60mm hole ø 8mm H 22mm FM3		

 <p>1</p>			
GEV No.	698309	Ref. No.	ME4050 MESCFCM350
description	blender stick L 500mm flange ø 47mm with blade		
For models:	FM3, FX40, FX42S, MX40, MX42S		

 <p>1</p>			
GEV No.	698333	Ref. No.	ME2530
description	blender stick MX25 L 310mm with blade		
For models:	MX25		

beaters

gearboxes



GEV No.	697405	Ref. No.	SA9500
description	gearbox FM3		
For models:	FM3		

driven gears



GEV No.	697401	Ref. No.	SL0739
description	drive shaft D1 ø 8mm L 63mm FM3		
For models:	FM3, FX40, MX40		

accessories for	697401		
	GEV No.	692533	Ref. No. SL0753
	roll pin ø 3mm L 20mm SS 1475		



GEV No.	697403	Ref. No.	SA8900
description	gear wheel double ø 45mm shaft ø 8mm shaft L 70mm with spindle FM3		
For models:	FM3, FX40, MX40		



GEV No.	697404	Ref. No.	SA8800
description	gear wheel single shaft ø 8mm shaft L 70mm with spindle FM3		
For models:	FM3, FX40, MX40		

beaters



GEV No.	697416	Ref. No.	SL0743
description	whisk ø 90mm L 265mm hole ø 8mm		
For models:	FM3, FX40, MX40		

beaters (complete)



GEV No.	698458	Ref. No.	FRUSTAFM3
description	whisk motor shaft ø 8mm flange ø 40mm MX40 / FX40		
For models:	FM3, FX40, MX40, MX42S		

spare parts for	698458		
	GEV No.	697405	Ref. No. SA9500
	gearbox FM3		
	GEV No.	697416	Ref. No. SL0743
	whisk ø 90mm L 265mm hole ø 8mm		

miscellaneous



GEV No.	698406	Ref. No.	SL3350
description	spindle for hand blender SS L 295mm ø 8mm		
For models:	MX25		

for citrus juicers

spillage trays



GEV No.	696354	Ref. No.	CO1447
description	drain tray for citrus juicers ø 180mm hole ø 34mm H 87mm SS		
For models:	AGRL, TFA3P		



juicer insert



1

GEV No.	650155	Ref. No.	CO1405
description	juicer insert for citrus juicers ø 119mm H 48mm SS		
For models:	AGRL, TFA3P		


for refrigerated counters

spare parts and accessories



1


GEV No.	697917	Ref. No.	CO0140
description	fixing plate with opposite support thread M5		
accessories for	697917		

	GEV No.	697916	Ref. No.	CO0139
	screw bolt with nut L 8mm thread M5 ø 6mm			



1

GEV No.	697916	Ref. No.	CO0139
description	screw bolt with nut L 8mm thread M5 ø 6mm		
accessories for	697916		

	GEV No.	697917	Ref. No.	CO0140
	fixing plate with opposite support thread M5			

for coffee grinders

coffee beans containers

container lids



1

GEV No.	527327	Ref. No.	SL0289
description	lid for coffee beans container ø 210mm		
For models:	ABGC, ABGCP, CAFFES		

coffee beans containers




1


GEV No.	527328	Ref. No.	SL0288
----------------	--------	-----------------	--------

description	coffee beans container		
For models:	ABGC, ABGCP, CAFFES		

spare parts for 527328

	GEV No.	527327	Ref. No.	SL0289
---	----------------	--------	-----------------	--------

lid for coffee beans container ø 210mm

	GEV No.	527329	Ref. No.	SL0287
--	----------------	--------	-----------------	--------

catch for coffee beans container H 57.5mm int. ø 1 47.5mm int. ø 2 49.8mm

locks



1

GEV No.	527329	Ref. No.	SL0287
----------------	--------	-----------------	--------

description	catch for coffee beans container H 57.5mm int. ø 1 47.5mm int. ø 2 49.8mm		
--------------------	---	--	--

For models:	ABGC, ABGCP, CAFFES		
--------------------	---------------------	--	--

for cup coffee machines

plungers



1

GEV No.	698337	Ref. No.	CE502114
description	handle kit for lid		
For models:	TAC, TAS		

for convection ovens/combi-steamers

glass panels



1

GEV No.	693100	Ref. No.	CO1200
description	glass panel L 250mm W 100mm thickness 5mm rectangular		
For models:	FGI4, FGI6, FGI9, FM4, FM44, FM6, FM66, FM9, FME4, FME44, FME6, FME66, FME9, FME99, FMEW6, FMEW66, FML4, FML44, FML6, FML66, FML9, FML99, FMS4, FMS44, FMS6, FMS66, FMS9		

door mechanics

miscellaneous



1

GEV No.	693102	Ref. No.	CO1263
description	frame for glass plate		
For models:	FME4, FME44, FME6, FME66, FME9, FME99, FMEW6, FMEW66, FML4, FML44, FML6, FML66, FML9, FML99		

for pasta cookers

spare parts and accessories



1

GEV No.	698471	Ref. No.	CO1356
description	lid for gearbox cast iron suitable for MPF1.5-2.5		
For models:	MPF1,5		

for noodle machine



1

GEV No.	696455	Ref. No.	CO1342
description	lid for noodle machine L 190mm W 194mm H 18.5mm plastic transparent		
For models:	MPF1,5		

for pizza ovens

glass panels



1

GEV No.	693131	Ref. No.	CO4735
description	glass panel L 350mm W 100mm thickness 4mm rectangular		



firebricks



1

GEV No.	850051	Ref. No.	CO1207
description	firebrick L 500mm W 500mm H 17mm delivery freight forwarding company only		
For models:	MINI		



1

GEV No.	850052	Ref. No.	CO1274
description	firebrick L 610mm W 610mm H 16mm delivery freight forwarding company only		
For models:	FME4, FME44		



1

GEV No.	850054	Ref. No.	CO1276
description	firebrick L 915mm W 450mm H 17mm delivery freight forwarding company only		
For models:	FME9, FME99		



1

GEV No.	850053	Ref. No.	CO1275
description	firebrick L 915mm W 610mm H 18mm delivery freight forwarding company only		
For models:	FME6, FME66, FME9, FME99		

for saladettes

spare parts and accessories



1

GEV No.	697917	Ref. No.	CO0140
----------------	--------	-----------------	--------

description fixing plate with opposite support thread M5

accessories for 697917

GEV No.	697916	Ref. No.	CO0139
----------------	--------	-----------------	--------

description screw bolt with nut L 8mm thread M5 ø 6mm



1

GEV No.	697916	Ref. No.	CO0139
----------------	--------	-----------------	--------

description screw bolt with nut L 8mm thread M5 ø 6mm

accessories for 697916

GEV No.	697917	Ref. No.	CO0140
----------------	--------	-----------------	--------

description fixing plate with opposite support thread M5

for toasters

pliers

pliers



1

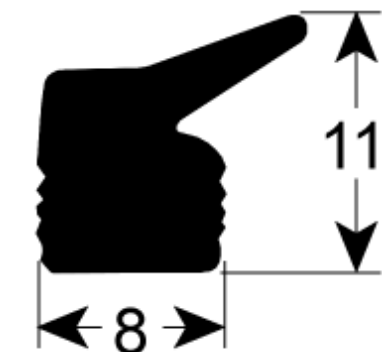
GEV No.	690010	Ref. No.	CO1056
----------------	--------	-----------------	--------

description plier for toaster H 180mm total length 100mm

For models: TOP3, TOP6

for vacuum packers

miscellaneous



GEV No.	692755	Ref. No.	CO2045
description	gasket ED ø 8.5mm L 1100mm		
For models:	MCD400, MCV400		

producer-specific knobs

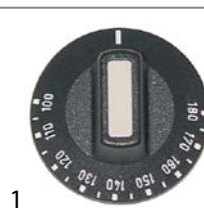
FIMAR



GEV No.	110374	Ref. No.	CO1947
description	knob switch zero mark t.max. °C°C ø 40mm shaft ø 6x4.6mm shaft flat upper black		
For models:	CRP, CRP2		



GEV No.	110829	Ref. No.	CO1954
description	knob switch zero mark t.max. °C°C ø 58mm shaft ø 6x4.6mm shaft flat upper black		
For models:	SAL600		



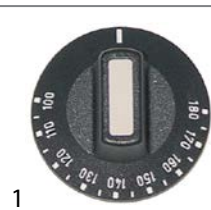
GEV No.	110242	Ref. No.	CO1112
description	knob thermostat t.max. 180°C ø 50mm shaft ø 6x4.6mm shaft flat upper black temperature range 100-180°C		
For models:	FT4, FT44, FT44N, FT4N, FT8, FT88, FT88N, FT88RN, FT8N, FT8RN, SF9, SF99, SF99N, SF9N		



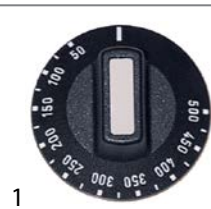
GEV No.	110882	Ref. No.	CO4422
description	knob thermostat t.max. 300°C 50-300°C ø 72mm shaft ø 6x4.6mm shaft flat left black temperature range 50-300°C rotation 270°		
For models:	CP11, CPM30, PE25L, PE25R, PE35L, PE35R, PE50L, PE50R, PV35L, PV35R, PV50L, PV50R, SFM18, SFM18D		

knobs

universal knobs



GEV No.	110242	Ref. No.	CO1112
description	knob thermostat t.max. 180°C ø 50mm shaft ø 6x4.6mm shaft flat upper black temperature range 100-180°C		
For models:	FT4, FT44, FT44N, FT4N, FT8, FT88, FT88N, FT88RN, FT8N, FT8RN, SF9, SF99, SF99N, SF9N		



GEV No.	110248	Ref. No.	CO3611
description	knob thermostat t.max. 500°C ø 50mm shaft ø 6x4.6mm shaft flat upper black temperature range 50-500°C rotation 270°		
For models:	FM4, FM44, FM6, FM66, FM9, FME4, FME44, FME6, FME66, FME9, FME99, FML4, FML44, FML6, FML66, FML9, FML99, FMS4, FMS44, FMS6, FMS66, FMS9, MINI, PICCOLO		




1

GEV No.	110248	Ref. No.	CO3611
description	knob thermostat t.max. 500°C ø 50mm shaft ø 6x4.6mm shaft flat upper black temperature range 50-500°C rotation 270°		
For models:	FM4, FM44, FM6, FM66, FM9, FME4, FME44, FME6, FME66, FME9, FME99, FML4, FML44, FML6, FML66, FML9, FML99, FMS4, FMS44, FMS6, FMS66, FMS9, MINI, PICCOLO		

handles and hand wheels

cylindrical handles

fixed



1

GEV No.	110703	Ref. No.	SL0106
description	cylindrical handle thread M10 ø 28mm L 87mm		
For models:	2000, 2200, AB12AT, AB12ATQ0, AB12L, AB12LQ0, AB12R, AB12T, AB12TQ0, AB22A, AB22AE, AB22AEQ0, AB22AT, AB22ATQ0, ABGC, ABGCP, FMD4, FMD44, FMD6, FMD66, FMD9, FMD99, FMDW6, FMDW66, FME4, FME44, FME6, FME66, FME9, FME99, FMEW6, FMEW66, FML4, FML44, FML6, FML66, FML9, FML99, FMLW6, FMLW66, GR12S, SE1550, SE1550Q0, SE1830, SE1830Q0, SE2200, SI320, SI420, SI520, TV2000... (Other models you can see in the webshop)		

star handles



1

GEV No.	699000	Ref. No.	SL1390 SL1838
description	star handle thread M5 ø 40mm L 54mm black		
For models:	2000, TV2000, TV2000R, TV3000		

bracket handles




1

GEV No.	692322	Ref. No.	CO3959
description	pull handle L 132mm H 46mm mounting distance 115mm thread M6 W 30mm black		
For models:	H250, H275, H300, H330, H350, H370, HL250, HL275, HL300, HS250, HS300, V250		

hinges

door bearing



1

GEV No.	701032	Ref. No.	CO5469
description	bolt L 32.4mm mounting pos. upper thread M8x1.25 ø 5/7mm with nut for door		

fittings for catering equipment

outlet taps

universal




1

GEV No.	540747	Ref. No.	CO1145
description	outlet tap chrome-plated brass angled W 30mm H 40mm thread 1/2" IT		
For models:	FT88RN, FT8RN, SF9, SF99, SF99N, SF9N		


equipment feet and end caps

screw-in feet



1

GEV No.	696801	Ref. No.	SL3361
description	equipment foot thread M10x1.5 thread L 15mm ø 50mm H 62mm WS 13		
For models:	IM12CN, IM12FN, IM12SN, IM18CN, IM18FN, IM18SN, IM25CN, IM25FN, IM25SN, IM38CN, IM38FN, IM38SN, IM7SN		



1

GEV No.	697387	Ref. No.	SL2674
description	equipment foot thread M5 thread L 10mm ø 35mm H 28mm Qty 1 pcs		
For models:	G220, G250, TAC, TAS, TV2000		

bolting feet



1

GEV No.	698290	Ref. No.	SL0235
description	equipment foot ø 22mm H 13.5mm bore ø 5mm Qty 1 pcs		
For models:	2000, AB12AT, AB12ATQ0, AB12L, AB12LQ0, AB12R, AB12T, AB12TQ0, AB22A, AB22AE, AB22AEQ0, GR12S, TR12S, TR12SQ0, TR12TS, TR12TSQ0, TR22S, TR22TE, TR22TEQ0, TR32RS, TR32RSQ0, TR32TNOQ, TV2000R, TV2500, TV3000, TV4000		

grates

universal

with upstand



1

GEV No.	970772	Ref. No.	GRP600
description	grate W 650mm D 530mm GN 2/1 H 40mm plastic-coated steel with hinge camp crossing wires 4		

baskets

fryer baskets

FIMAR




1

GEV No.	970186	Ref. No.	CO1127
description	fryer basket L1 245mm W1 220mm H1 95mm chrome-plated steel hinged handle		
For models:	FT8, FT88, FT88N, FT88RN, FT8N, FT8RN, SF9, SF99, SF99N, SF9N		



1

GEV No.	970181	Ref. No.	CO1126	
description	fryer basket L1 255mm W1 135mm H1 100mm chrome-plated steel hinged handle			
For models:	FT4, FT44, FT44N, FT4N			
accessories for	970181			
	GEV No.	694989	Ref. No.	—
handle L 130mm W 35mm for fryer basket plastic				

shelf rails and supports

producer-specific



1

GEV No.	696388	Ref. No.	CG11
description	pair of setting bar U-shape L 550mm W 20mm H 17mm mounting pos. left/right		



1

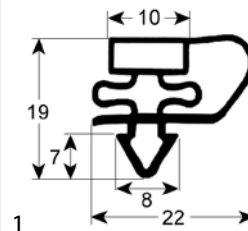
GEV No.	694507	Ref. No.	AG
description	shelf support L 38/26mm W 22mm H 24mm SS Qty 4 pcs		

gaskets

refrigeration gaskets

plug-in gaskets

profile 9150



1

GEV No.	901279	Ref. No.	CO0016
description	refrigeration gasket profile 9150 W 395mm L 490mm plug size		

shelves and shelf rails

chargrill grids

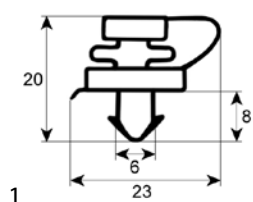


1

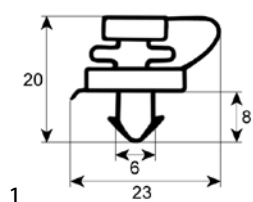
GEV No.	210166	Ref. No.	CO3126
description	chargrill grid L 540mm W 160mm		
For models:	B115, B50, B80		



profile 9157

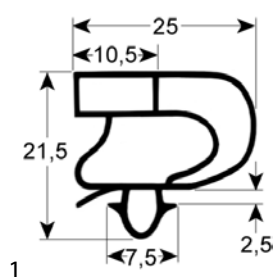


GEV No.	901333	Ref. No.	CO0133
description	refrigeration gasket profile 9157 W 695mm L 1477mm plug size L1 1467mm W1 685mm external size		



GEV No.	901282	Ref. No.	CO5466
description	refrigeration gasket profile 9157 W 750mm L 1700mm plug size		

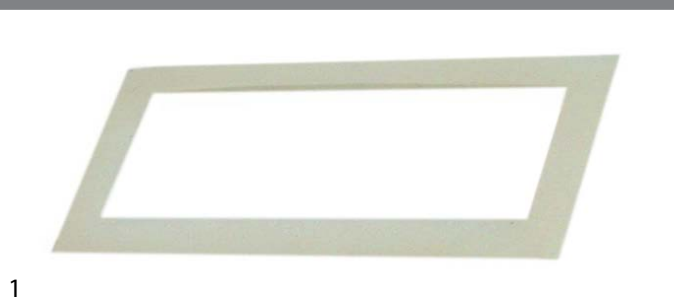
profile 9041



GEV No.	901958	Ref. No.	CO5388
description	refrigeration gasket profile 9041 W 460mm L 592mm plug size		

gaskets for heated units

window seals

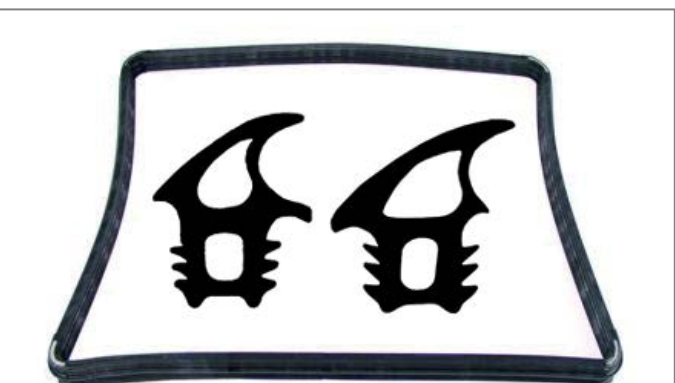


GEV No.	693101	Ref. No.	CO1262
description	window gasket L 250mm W 100mm thickness 5mm		
For models:	FGI4, FGI6, FGI9, FME4, FME44, FME6, FME66, FME9, FME99, FMEW6, FMEW66, FML4, FML44, FML6, FML66, FML9, FML99, FYE4, FYE44, FYE6, FYE66		

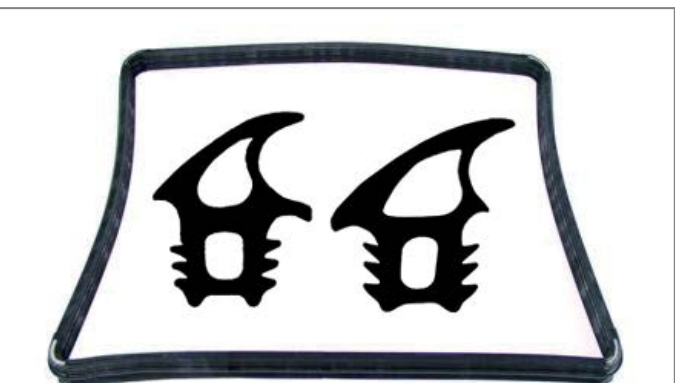
door seals



GEV No.	900489	Ref. No.	CO5176
description	door seal profile 2770/2771 H 440mm W 600mm outer plug size Qty 1		
For models:	GD5, GE5		

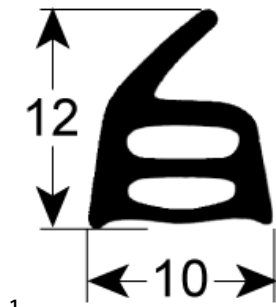


GEV No.	901716	Ref. No.	CO5184
description	door seal profile 2770/2771 H 610mm W 600mm outer plug size Qty 1		
For models:	GD7, GE7		

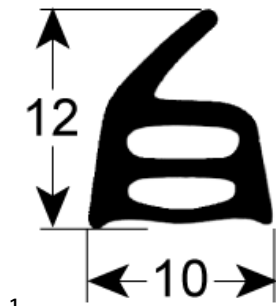


GEV No.	901402	Ref. No.	CO5185
description	door seal profile 2770/2771 H 820mm W 600mm outer plug size Qty 1		
For models:	GD10, GE10		

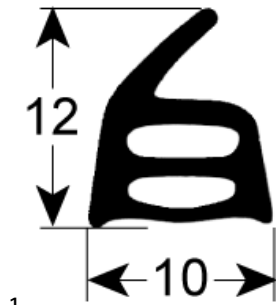
door seals with fixing hook



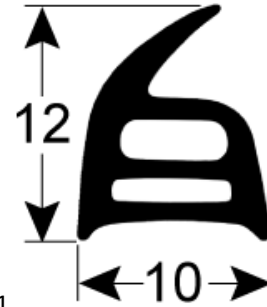
GEV No.	901817	Ref. No.	CO5164
description	door seal L 540mm W 400mm 4-sided with 10 mounting clips LAINOX for model REC051 and REC051M		
For models:	GN5		



GEV No.	902181	Ref. No.	CO5168
description	door seal L 560mm W 550mm 4-sided with 12 mounting clips		
For models:	GN7		



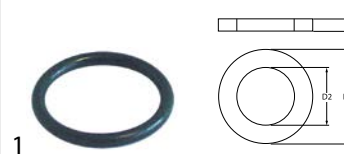
GEV No.	902182	Ref. No.	CO5169
description	door seal L 760mm W 550mm 4-sided with 14 mounting clips		
For models:	GN10		



GEV No.	901434	Ref. No.	CO2926
description	door seal W 600mm with 6 mounting clips H 400mm		
For models:	FP464, FP564		

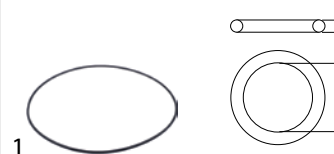
O-rings

EPDM



GEV No.	505073	Ref. No.	SL0773
description	O-ring EPDM thickness 2.62mm ID ø 20.63mm Qty 1 pcs		
For models:	FM3, FX40, FX42S, MX25, MX40, MX42S		

NBR



GEV No.	532609	Ref. No.	3151750
description	O-ring NBR thickness 7mm ID ø 387mm Qty 1 pcs		
For models:	LAV, LCF10, LCF10M, LCF18, LCF18M, LCF5, LCN10, LCN10M, LCN18, LCN18M, LCN5, PLF10, PLF18, PLF5, PLN10, PLN18, PLN5, PPF10, PPF10M, PPF18, PPF18M, PPF5, PPN10, PPN10M, PPN18, PPN18M, PPN5		

sealing washers

silicone gaskets



GEV No.	651007	Ref. No.	CO1402
description	gasket ED ø 75mm ID ø 55mm thickness 3mm Qty 1 pcs		
For models:	FRI150, FRI2150, FRI300, FRP150, FRP2150, FRP300, TFA3P		




shaft gaskets


v-rings

			
1			
GEV No.	697409	Ref. No.	SL0772
description	V-ring ID ø 7mm ED ø 12mm thickness 5mm		
For models:	FM3, FX40, FX42S, LCF10M, LCF18M, LCF5, LCN10M, LCN18M, LCN5, MX25, MX40, MX42S, PPF10M, PPF18M, PPF25, PPF5, PPN10M, PPN18M, PPN25, PPN5		


shaft gaskets


			
1			
GEV No.	697121	Ref. No.	SL0127
description	shaft seal ID ø 17mm ED ø 40mm thickness 7mm		
For models:	AB12AT, AB12ATQ0, AB12L, AB12LQ0, AB12R, AB12T, AB12TQ0, AB22AE, AB22AEQ0, CL3, CL5, CL8, IM12C, TR12C, TR12CQ0, TR12S, TR12SQ0, TR12TS, TR12TSQ0, TR22C, TR22CQ0, TR22TE, TR22TEQ0		


			
1			
GEV No.	696360	Ref. No.	SL1380
description	shaft seal ID ø 25mm ED ø 40mm thickness 5mm		
For models:	2000, TV2000, TV2000R, TV2500, TV3000		


			
1			
GEV No.	698002	Ref. No.	SL0139
description	shaft seal ID ø 25mm ED ø 40mm thickness 7mm		
For models:	AB12L, AB12LQ0, AB12R, AB12T, AB12TQ0, TR12S, TR12SQ0		

			
1			
GEV No.	698352	Ref. No.	3151300 SL3943
description	shaft seal ID ø 28mm ED ø 42mm thickness 7mm		
For models:	LAV, LCF10, LCF10M, LCF18, LCF18M, LCF5, LCN10, LCN10M, LCN18, LCN18M, LCN5, PLF10, PLF18, PLF5, PLN10, PLN18, PLN5, PPF10, PPF10M, PPF18, PPF18M, PPF5, PPN10, PPN10M, PPN18, PPN18M, PPN5		

			
1			
GEV No.	696800	Ref. No.	SL0232
description	shaft seal ID ø 30mm ED ø 52mm thickness 10mm type 22 for mincer		
For models:	AB22A, AB22AT, AB22ATQ0, TR22RG, TR22RS, TR22RSQ0, TR22RSQ1, TR22S, TR22TS, TR22TSQ0, TR22TSQ1		

			
1			
GEV No.	696799	Ref. No.	SL3006
description	shaft seal ID ø 35mm ED ø 62mm thickness 10mm for mincer for potato peeler device		
For models:	PPF25, PPN25, TR32RS, TR32RSQ0		

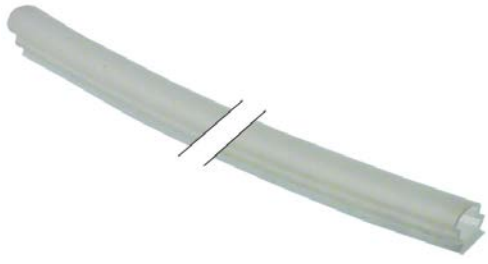
			
1			
GEV No.	697913	Ref. No.	SL0746
description	shaft seal ID ø 8mm ED ø 18mm thickness 5mm		
For models:	FM3, FX40, FX42S, MX25, MX40, MX42S		

			
1			
GEV No.	697407	Ref. No.	SL1454
description	shaft seal ID ø 8mm ED ø 18mm thickness 6mm		
For models:	FM3, FX40, FX42S, MX25, MX40, MX42S		

special gaskets

miscellaneous

			
1			
GEV No.	901523	Ref. No.	37Q7860
description	gasket suitable for FIMAR for potato peeler device L 204mm W 155mm external height 12mm		
For models:	LCF10, LCF10M, LCF18, LCF18M, LCF5, LCN10, LCN10M, LCN18, LCN18M, LCN5, PLF10, PLF18, PLF5, PLN10, PLN18, PLN5, PPF10, PPF10M, PPF18, PPF18M, PPF25, PPF5, PPN10, PPN10M, PPN18, PPN18M, PPN25, PPN5		



1

GEV No.	901522	Ref. No.	37Q7330 SL2871
description	lid gasket suitable for FIMAR for potato peeler device L 1280mm external height 12mm external width 12mm		
For models:	LAV, LCF10, LCF10M, LCF18, LCF18M, LCF5, LCN10, LCN10M, LCN18, LCN18M, LCN5, PLF10, PLF18, PLF5, PLN10, PLN18, PLN5, PPF10, PPF10M, PPF18, PPF18M, PPF5, PPN10, PPN10M, PPN18, PPN18M, PPN5		


evaporators for fridges

producer-specific



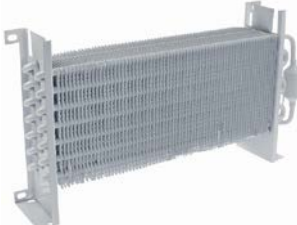
1

GEV No.	750294	Ref. No.	CO3834
description	evaporator for fridge ER400 L 1000mm W 440mm		
For models:	V300I		



1

GEV No.	750295	Ref. No.	CO5494
description	evaporator for fridge ER600 L 1000mm W 580mm		



1

GEV No.	750322	Ref. No.	CO0202
description	evaporator L 505mm W 95mm H 265mm suitable for ER400/ER400G/ER400SS		

condensors

filters



1

GEV No.	694446	Ref. No.	CO3800
description	air filter for condenser L 218mm W 205mm thickness 6mm		
For models:	V300I		



1

GEV No.	694860	Ref. No.	RC1340
description	air filter L 218mm W 175mm thickness 4.5mm		

transmission technology and ball bearings

drive belts

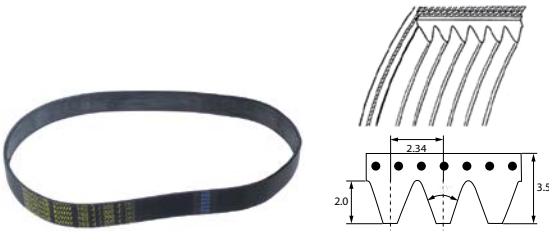
V-belts



1

GEV No.	697677	Ref. No.	SL1398
description	V-belt belt width 8mm L 710mm H 5mm CODE T28 profile 8		
For models:	2000, TV2000		

poly-v belts



1

GEV No.	698284	Ref. No.	SL1473
description	poly-v belt grooves 10 W 24mm L 762mm profile J		
For models:	2000, TV2000, TV2000R, TV2500, TV3000		



1

GEV No.	692144	Ref. No.	36G6610
description	poly-v belt grooves 12 W 28mm L 559mm profile J		
For models:	FNT, FNT2V, FNT-MEC, LAV, LCF10, LCF10M, LCF18, LCF18M, LCF5, LCN10, LCN10M, LCN18, LCN18M, LCN5, PLF10, PLF18, PLF5, PLN10, PLN18, PLN5, PPF10, PPF10M, PPF18, PPF18M, PPF5, PPN10, PPN10M, PPN18, PPN18M, PPN5, TV4000		

1

GEV No.	693873	Ref. No.	CO1854
description	round belt ø 8mm L 560mm		

1

GEV No.	697620	Ref. No.	CO4563
description	poly-v belt grooves 10 W 20mm L 510mm profile TB2		
For models:	K300, K330		

1

GEV No.	693874	Ref. No.	CO1855
description	round belt ø 8mm L 600mm		
For models:	FIP30		

1

GEV No.	698206	Ref. No.	CO2810
description	poly-v belt grooves 12 W 28mm L 457mm profile TB2.34		
For models:	G350, G370		

1

GEV No.	693843	Ref. No.	CO1853
description	round belt ø 8mm L 680mm		
For models:	FP30, FP40, FPP30, FPP40		

round belts

1


GEV No.	693701	Ref. No.	CO1906
description	round belt ø 8mm L 540mm		

1

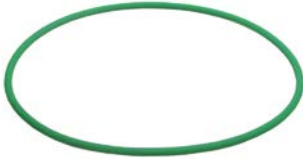
GEV No.	694259	Ref. No.	SL2955 SL3196
description	round belt ø 8mm L 750mm mounting pos. lower		
For models:	FI32		

1


GEV No.	693875	Ref. No.	CO1852 CO1902
description	round belt ø 8mm L 784mm		
For models:	FI40, FIP40, FP30, FPP30, FPP40		



GEV No.	693877	Ref. No.	CO1885
description	round belt ø 8mm L 920mm		
For models:	FI40, FP40, FPP40		




GEV No.	693878	Ref. No.	CO1907
description	round belt ø 8mm L 950mm		
For models:	FPP40		




GEV No.	692143	Ref. No.	SL2956 SL3193
description	round belt ø 8mm L 960mm		
For models:	FI42, FIP42		


chains


roller chains 05B-1 single



GEV No.	697259	Ref. No.	SL1118 SL3364
description	chain DIN/ISO 05 B-1 splitting 8mm links 63 internal width 3mm rollerø 5mm single		
For models:	IM7S, IM7SN		



GEV No.	697282	Ref. No.	SL2682	
description	chain DIN/ISO 05 B-1 splitting 8mm links 71 internal width 3mm rollerø 5mm single			
For models:	IM12C, IM12CN, IM12F, IM12FN, IM18C, IM18CN, IM18F, IM18FN			
accessories for	697282			
	GEV No.	697264	Ref. No.	SL1545
	connector single DIN/ISO 05 B-1 splitting 8mm			



GEV No.	697260	Ref. No.	SL0058
description	chain DIN/ISO 05 B-1 splitting 8mm links 72 internal width 3mm rollerø 5mm single		
For models:	IM12E, IM12S, IM12SN, IM18E, IM18S, IM18SN		


roller chains 06B-1 single




GEV No.	697200	Ref. No.	SL1111
description	roller chain DIN/ISO 06 B-1 splitting 3/8" / 9.525mm links 35 internal width 5.72mm rollerø 6.35mm single		
For models:	IM7S, IM7SN		





GEV No.	697204	Ref. No.	SL2681
description	roller chain DIN/ISO 06 B-1 splitting 3/8" / 9.525mm links 36 internal width 5.72mm rollerø 6.35mm single		
For models:	IM12CN, IM12FN, IM18C, IM18CN, IM18F, IM18FN		




GEV No.	697202	Ref. No.	SL0026
description	roller chain DIN/ISO 06 B-1 splitting 3/8" / 9.525mm links 37 internal width 5.72mm rollerø 6.35mm single		
For models:	IM18E, IM18S, IM18SN		



GEV No.	697203	Ref. No.	SL2680	
description	roller chain DIN/ISO 06 B-1 splitting 3/8" / 9.525mm links 38 internal width 5.72mm rollerø 6.35mm single			
For models:	IM12C, IM12CN, IM12F, IM12FN, IM18CN, IM18FN			
accessories for	697203			
	GEV No.	697069	Ref. No.	SL1629
	connector single DIN/ISO 06 B-1 splitting 3/8" links 1 L 17.8mm internal width 8.8mm rollerø 3mm metal			




GEV No.	697201	Ref. No.	SL0025
description	roller chain DIN/ISO 06 B-1 splitting 3/8" / 9.525mm links 40 internal width 5.72mm rollerø 6.35mm single		
For models:	IM12E, IM12S, IM12SN		



GEV No.	697261	Ref. No.	SL0101
description	roller chain DIN/ISO 06 B-1 splitting 3/8" / 9.525mm links 67 internal width 5.72mm rollerø 6.35mm single		
For models:	IM25C, IM25E, IM25F, IM25S		





GEV No.	697283	Ref. No.	SL2686
description	roller chain DIN/ISO 06 B-1 splitting 3/8" / 9.525mm links 69 internal width 5.72mm rollerø 6.35mm single		
For models:	IM38C, IM38CN, IM38F, IM38FN		





GEV No.	697262	Ref. No.	SL0102
description	roller chain DIN/ISO 06 B-1 splitting 3/8" / 9.525mm links 71 internal width 5.72mm rollerø 6.35mm single		
For models:	IM25SN, IM38E, IM38S, IM38SN		



1 			
GEV No.	697263	Ref. No.	SL2741
description	roller chain DIN/ISO 06 B-1 splitting 3/8" / 9.525mm links 87 internal width 5.72mm rollerø 6.35mm single		
For models:	IM50C, IM50CN, IM50F, IM50FN, IM50S, IM50SN		
accessories for	697263		
	GEV No.	697069	Ref. No. SL1629
	connector single DIN/ISO 06 B-1 splitting 3/8" links 1 L 17.8mm internal width 8.8mm rollerø 3mm metal		

roller chains 08B-1 single

1 			
GEV No.	697219	Ref. No.	SL0078 SL0079
description	roller chain DIN/ISO 08 B-1 splitting 1/2" / 12.7mm links 33 internal width 7.75mm rollerø 8.51mm single		
For models:	IM25C, IM25E, IM25F, IM25S, IM38E, IM38S, IM38SN		


1 			
GEV No.	697220	Ref. No.	SL3438
description	roller chain DIN/ISO 08 B-1 splitting 1/2" / 12.7mm links 34 internal width 7.75mm rollerø 8.51mm single		
For models:	IM38CN, IM38FN		


roller chains 10B-1 single


1 			
GEV No.	697221	Ref. No.	SL2740
description	chain DIN/ISO 10 B-1 splitting 5/8" / 15.875mm links 33 internal width 9.65mm rollerø 10.16mm single		
For models:	IM50C, IM50CN, IM50F, IM50FN, IM50S, IM50SN		

connectors

1 			
GEV No.	697264	Ref. No.	SL1545
description	connector single DIN/ISO 05 B-1 splitting 8mm		
For models:	IM12C, IM12CN, IM12E, IM12F, IM12FN, IM12S, IM12SN, IM18C, IM18CN, IM18E, IM18F, IM18FN, IM18S, IM18SN, IM20L, IM7S, IM7SN		

1 			
GEV No.	697069	Ref. No.	SL1629
description	connector single DIN/ISO 06 B-1 splitting 3/8" links 1 L 17.8mm internal width 8.8mm rollerø 3mm metal		
For models:	IM12C, IM12CN, IM12E, IM12F, IM12FN, IM12S, IM12SN, IM18C, IM18CN, IM18E, IM18F, IM18FN, IM18S, IM18SN, IM20L, IM25C, IM25CN, IM25E, IM25F, IM25FN, IM25S, IM25SN, IM30L, IM38C, IM38CN, IM38E, IM38F, IM38FN, IM38S, IM38SN, IM50C, IM50CN, IM50F, IM50FN, IM50S, IM50SN, IM7S, IM7SN, IP10, SI320, SI420, SI520		

1 			
GEV No.	693276	Ref. No.	SL1632
description	connector single DIN/ISO 08 B-1 splitting 1/2" links 1 L 23mm internal width 11.8mm rollerø 4.3mm metal		
For models:	IM25C, IM25CN, IM25E, IM25F, IM25FN, IM25S, IM25SN, IM30L, IM38C, IM38CN, IM38E, IM38F, IM38FN, IM38S, IM38SN, IP20		

1 			
GEV No.	697222	Ref. No.	SL2776
description	connector single DIN/ISO 10 B-1 splitting 5/8" links 1 L 29.5mm internal width 13.5mm rollerø 5mm metal		
For models:	IM50C, IM50CN, IM50F, IM50FN, IM50S, IM50SN		

half links

1 			
GEV No.	696632	Ref. No.	SL1546
description	half link single DIN/ISO 05 B-1 splitting 8		

1 			
GEV No.	696633	Ref. No.	SL1547
description	half link single DIN/ISO 06 B-1 splitting 3/8"		


1 			
GEV No.	697841	Ref. No.	SL1548
description	half link single DIN/ISO 08 B-1 splitting 1/2"		




1			
GEV No.	696634	Ref. No.	SL2777
description	half link single DIN/ISO 10 B-1 splitting 5/8"		

springs


torsion springs



1			
GEV No.	694238	Ref. No.	SL2384
description	spring ømm L2 80mm mounting pos. front wire gauge ø 2mm FI32-FI42-FIP42 L1mm Qty 1 pcs		
For models:	FI32, FI42, FIP42, SI320, SI420, SI520		



1			
GEV No.	694239	Ref. No.	SL2385
description	spring ømm L2 80mm mounting pos. rear wire gauge ø 2mm FI32-FI42-FIP42 L1mm Qty 1 pcs		
For models:	FI32, FI42, FIP42, SI320, SI420, SI520		




1			
GEV No.	696387	Ref. No.	CO1840
description	torsion spring ø 17mm L2 78mm wire gauge ø 1.4mm L1 3mm Qty 1 pcs dough roller		
For models:	FI30, FI40, FIP30, FIP40, FP30, FP40, FPP30, FPP40		

gas tension springs


gas tension springs



1			
GEV No.	697273	Ref. No.	SL2843
description	gas tension spring for dough mixer 1300N hub 145mm D1 ø 22mm D2 ø 10mm hole distance 385mm hole ø 8.5mm 50 C-F		
For models:	IM50C, IM50CN, IM50F, IM50FN		



1			
GEV No.	697271	Ref. No.	SL2667
description	gas tension spring for dough mixer 350N hub 85mm D1 ø 15mm D2 ø 6mm hole distance 228mm hole ø 6.2mm 12-18 C-F		
For models:	IM12C, IM12CN, IM12F, IM12FN, IM18C, IM18CN, IM18F, IM18FN		



1			
GEV No.	697272	Ref. No.	SL2668
description	gas tension spring for dough mixer 700N hub 90mm D1 ø 19mm D2 ø 8mm hole distance 255mm hole ø 8.2mm 25-38 C-F		
For models:	IM25C, IM25CN, IM25F, IM25FN, IM38C, IM38CN, IM38F, IM38FN		

measuring equipment

thermometers

built-in thermometers

ø60mm




1			
GEV No.	541054	Ref. No.	CO1270
description	thermometer mounting ø 60mm t.max. 500°C 0 up to +500°C probe ø 10mm probe L 80mm capillary pipe 700mm		
For models:	FME4, FME44, FME6, FME66, FME9, FME99, FMEW6, FMEW66, FML4, FML44, FML6, FML66, FML9, FML99, FMLW6, FMLW66		

fastening material


screws

grub screws

DIN 914/ISO 4027



1			
GEV No.	697417	Ref. No.	SL0129
description	grub screw thread M5 L 10mm stainless steel DIN 914/ISO 4027 WS 2.5 with spike Qty 1 pcs		
For models:	FM3		



1			
GEV No.	697410	Ref. No.	SL0769
description	grub screw thread M5 L 6mm stainless steel DIN 914/ISO 4027 WS 2.5 with spike Qty 1 pcs		
For models:	FM3		



nuts

hexagonal nuts

DIN 934 / ISO 4032/8673



1			
GEV No.	511212	Ref. No.	SL0218
description	hexagonal nut thread M6 H 5mm WS 10 SS DIN/ISO DIN 934 / ISO 4032/8673 Qty 1 pcs		
For models:	2000		

fasteners

slot nuts



1			
GEV No.	692006	Ref. No.	SL0010
description	slot nut W 5mm H 5mm L 20mm		
For models:	2000, AB22AT, AB22ATQ0, CL3, CL5, CL8, FNT, FNT2V, FNT-MEC, IM12C, IM12CN, IM12E, IM12F, IM12FN, IM12S, IM12SN, IM18C, IM18CN, IM18E, IM18F, IM18FN, IM18S, IM18SN, IM20L, IM30L, IM7S, IM7SN, IP10, IP20, IP30F, IP40F, IP60F, IP80F, LAV, LCF10, LCF10M, LCF18, LCF18M, LCF5, LCN10, LCN10M, LCN18, LCN18M, LCN5, PL16, PL8, PLF10, PLF18, PLF5, PLN10...(Other models you can see in the webshop)		



1			
GEV No.	560286	Ref. No.	SL1056
description	slot nut W 6mm H 6mm L 25mm		
For models:	IM25C, IM25CN, IM25F, IM25FN, IM25SE, IM25SM, IM25SN, IM35SE, IM35SM, IM38C, IM38CN, IM38F, IM38FN, IM38SN, IM50SE		



1			
GEV No.	560181	Ref. No.	SL3899
description	slot nut W 6mm H 6mm L 40mm		
For models:	IP30F, IP40F		



1			
GEV No.	697784	Ref. No.	SL2057
description	slot nut W 8mm H 7mm L 20mm		
For models:	IM25CN, IM25FN, IM25SN, IM38CN, IM38FN, IM38SN, IP10, IP20		



1			
GEV No.	560288	Ref. No.	SL2780
description	slot nut W 8mm H 7mm L 25mm		
For models:	IM50C, IM50CN, IM50F, IM50FN, IM50S, IM50SN		



1			
GEV No.	560651	Ref. No.	SL3410
description	slot nut W 8mm H 7mm L 40mm		
For models:	IM12CN, IM12FN, IM12SN, IM18CN, IM18FN, IM18SN, IM25CN, IM25FN, IM25SN, IM38CN, IM38FN, IM38SN, IM50CN, IM50FN, IM50SN		



1			
GEV No.	697243	Ref. No.	SL2671
description	slot nut W 10mm H 16mm L 42mm half-round		
For models:	IM50C, IM50F, IM50S		



1			
GEV No.	697225	Ref. No.	SL0819
description	slot nut W 5mm H 6mm L 15mm half-round		
For models:	IM12C, IM12E, IM12F, IM12S, IM18C, IM18E, IM18F, IM18S, IM20L, IM7S		



1			
GEV No.	697226	Ref. No.	SL0043
description	slot nut W 6mm H 8mm L 21mm half-round		
For models:	IM20L, IM25C, IM25E, IM25F, IM25S, IM30L, IM38C, IM38E, IM38F, IM38S, IM7S		




1			
GEV No.	697227	Ref. No.	SL0047
description	slot nut W 8mm H 11mm L 27mm half-round		
For models:	IM12C, IM12E, IM12F, IM12S, IM18C, IM18E, IM18F, IM18S, IM25C, IM25E, IM25F, IM25S, IM30L, IM38C, IM38E, IM38F, IM38S, IM50C, IM50F, IM50S		


retaining rings


DIN 471





1			
GEV No.	528689	Ref. No.	SL2471
description	retaining ring shaft ø 15mm thickness 1mm steel DIN 471		
For models:	BC3N, FI30, FI32, FI40, FI42, FIP30, FIP40, FIP42, FP30, FP40, FPP30, FPP40, H220, H250, H275, HL250, HL275, HS250, TAC, TAS, V250		


			
1			
GEV No.	504519	Ref. No.	SL0017
description	retaining ring shaft \varnothing 17mm thickness 1mm SS DIN 471		
For models:	AB22A, FI32, FI42, FIP42, IM12C, IM12CN, IM12E, IM12F, IM12FN, IM12S, IM12SN, IM18C, IM18CN, IM18E, IM18F, IM18FN, IM18S, IM18SN, IM20L, IM7S, IM7SN, RI250, RI320, RI400, RI500, RL250, RL320, RL400, RL500, TR22S		


			
1			
GEV No.	523105	Ref. No.	SL3896
description	retaining ring shaft \varnothing 18mm thickness 1.2mm steel DIN 471		
For models:	IP10F, IP20F, IP30F, IP40F, IP60F, IP80F		


			
1			
GEV No.	514030	Ref. No.	SL0075
description	retaining ring shaft \varnothing 20mm thickness 1.3mm steel DIN 471		
For models:	H300, H330, H350, H370, HL300, HS300, IM12C, IM12F, IM18C, IM18F, IM25C, IM25CN, IM25E, IM25F, IM25FN, IM25S, IM25SN, IM30L, IM38C, IM38CN, IM38E, IM38F, IM38FN, IM38S, IM38SN, IP30F, IP40F, IP60F, IP80F, K300, K330, K350, K370, SI320, SI420, SI520		


			
1			
GEV No.	693061	Ref. No.	SL1616
description	retaining ring shaft \varnothing 25mm thickness 1.2mm steel DIN 471		
For models:	FF30, IM12CN, IM12FN, IM12SN, IM18CN, IM18FN, IM18SN, IM25C, IM25CN, IM25F, IM25FN, IM25SN, IM38C, IM38CN, IM38F, IM38FN, IM38SN, IM50C, IM50CN, IM50F, IM50FN, IM50S, IM50SN, IP10, IP20		


			
1			
GEV No.	697244	Ref. No.	SL2672 SL3720
description	retaining ring shaft \varnothing 30mm steel DIN 471		
For models:	IM50C, IM50CN, IM50F, IM50FN, IM50SN, IP60F, IP80F		


			
1			
GEV No.	560302	Ref. No.	SL0898
description	retaining ring shaft \varnothing 8mm thickness 0.8mm SS DIN 471		
For models:	FM3, SI320, SI420, SI520		

DIN 472			
			
1			
GEV No.	528518	Ref. No.	SL0749
description	retaining ring bore \varnothing 22mm thickness 1.2mm steel DIN 472		
For models:	FM3, SI320, SI420, SI520		

			
1			
GEV No.	698004	Ref. No.	SL0132 SL1383
description	retaining ring bore \varnothing 40mm thickness 1.9mm steel DIN 472		
For models:	2000, AB12L, AB12LQ0, AB12R, AB12T, AB12TQ0, RI250, RI320, RI400, RI500, RL250, RL320, RL400, RL500, SE1550, SE1550Q0, SE1830, SE1830Q0, TR12S, TR12SQ0, TV2000		

			
1			
GEV No.	523100	Ref. No.	SL2056
description	retaining ring bore \varnothing 42mm thickness 1.75mm steel DIN 472		
For models:	H300, H330, H350, H370, HL300, HS300, IP10, IP20, K300, K330, K350, K370, LAV, LCF10M, LCF18M, LCF5, LCN10M, LCN18M, LCN5, PPF10M, PPF18M, PPF5, PPN10M, PPN18M, PPN5		

			
1			
GEV No.	523102	Ref. No.	SL0082
description	retaining ring bore \varnothing 47mm thickness 1.8mm steel DIN 472		
For models:	AB12AT, AB12ATQ0, AB22AE, AB22AEQ0, IM12C, IM25C, IM25E, IM25F, IM25S, IM38C, IM38E, IM38F, IM38S, TR12C, TR12CQ0, TR12TS, TR12TSQ0, TR22C, TR22CQ0, TR22TE, TR22TEQ0, V300, V330, V350, V370		

			
1			
GEV No.	523103	Ref. No.	SL0119
description	retaining ring bore \varnothing 52mm thickness 2mm steel DIN 472		
For models:	AB12AT, AB12ATQ0, AB12L, AB12LQ0, AB12R, AB12T, AB12TQ0, AB22AE, AB22AEQ0, ABGC, ABGCP, FF30, GR12S		




roll pins



1

GEV No.	692533	Ref. No.	SL0753
description	roll pin ø 3mm L 20mm SS 1475		
For models:	FX40, MX25, MX40		
accessories for	692533		
	GEV No.	697401	Ref. No. SL0739
	drive shaft D1 ø 8mm L 63mm FM3		

lava rocks / ceramic briquetts



1


GEV No.	211008	Ref. No.	LAVAB50
description	lava rocks size ca.20-70mm Qty 5kg		
For models:	B115, B50, B80		

consumables

lubricants

oils

gear oils



1

GEV No.	890285	Ref. No.	SL0210
description	gear oil 680 EP for mincer Qty 1l		

A			
axial fans	15		
B			
bar burners	25		
bi-metal thermostats	5		
C			
cam switches	8		
condensators & interference suppression filters	21		
consumables	95		
control equipment	9		
control thermostats	5		
D			
door seals	85		
door seals with fixing hook	86		
E			
electronic controllers	12		
energy regulators	5		
evaporators	88		
F			
fans	15		
fasteners	93		
fastening material	92		
foot switches	8		
G			
gas burners	25		
gas nozzles	26		
gas taps	21		
gas thermostats	22		
gaskets for heated units	85		
grates	84		
grub screws	92		
H			
halogen lamp	10		
heating elements	3		
heating elements for bain maries	3		
heating elements for contact grills	3		
heating elements for fryers	3		
heating elements for pizza ovens	4		
heating elements for salamanders/toasters	4		
hexagonal nuts	93		
I			
ignition cables	24		
immersion heating elements	5		
indicator lights	9		
		indicator lights (complete)	9
L			
		lamps	9
		lava rocks / ceramic briquettes	26, 95
		light bulbs	10
		lubricants	95
M			
		magnetic switches	9
		measuring equipment	92
		mechanical timers	11
		microswitches	7
		motors	15
N			
		nuts	93
O			
		oils	95
		operating capacitors	21
		O-rings	86
		oven lamps	10
P			
		piezoelectric igniters	24
		pilot burners	23
		plug-in gaskets	84
		push/momentary push switches	7
Q			
		quartz heating elements	5
R			
		refrigeration fans	15
		refrigeration gaskets	84
		refrigeration motors universal	15
		retaining rings	93
		rocker/momentary rocker switches	6
		roll pins	95
		rotary switches	8
S			
		safety bi-metal thermostats	5
		screws	92
		sealing washers	86
		shaft gaskets	87
		shelves and shelf rails	84
		slot nuts	93
		switches and momentary switches	6
T			
		thermocouples	24

thermostats	5
timers	11
transformers	11

W

window seals	85
--------------	----