



**GAS COMPONENTS**



**ELECTRIC COMPONENTS**



**WATER TECHNOLOGY**



**MECHANICAL COMPONENTS**



**TOOLS**

Spare parts suitable for

**FORVED**

Find the complete and up-to-date range of products in our GEV Webshop



# Manufacturer catalogue

The most important spare parts and accessories arranged clearly for every manufacturer

- ✓ Complete product range and all appliance data always up to date in the GEV Webshop
- ✓ Alphabetical Index at the end of the catalogue

## GEV Webshop

[www.gev-online.co.uk](http://www.gev-online.co.uk)

[www.gev-online.com](http://www.gev-online.com)



- 🔍 Add to Favourites
- 🔍 Sign In with email address and usual password
- 🔍 Easy-order – place several items in your basket at the same time
- 🔍 Quick Item search – no login needed



# heating elements

## heating elements for bain maries

1			
<b>GEV No.</b>	416887	<b>Ref. No.</b>	SNACKRESIS01
<b>description</b>	heating element 1350W 230V heating circuits 1 L 385mm W 225mm connection male faston 6.3mm connection distance 110mm tube ø 8.5mm dry heating element W1 50mm W2 125mm H 22mm		

1			
<b>GEV No.</b>	416884	<b>Ref. No.</b>	VETRRES02 VETRRES03
<b>description</b>	heating element 700W 230V heating circuits 1 L 500mm W 270mm connection male faston 6.3mm connection distance 257mm connection length 20mm tube ø 6.3mm dry heating element		

## heating elements for fryers

### 2 hole fixing

1			
<b>GEV No.</b>	416891	<b>Ref. No.</b>	3108
<b>description</b>	heating element 3000W 230V heating circuits 1 L 362mm W 65mm H 240mm L1 57mm L2 305mm H1 192mm H2 48mm thread 1/4" tube ø 8.5mm 2 hole fixing connection M5 fryer heaters windings 4		

<b>spare parts for</b>	416891
	GEV No. 510417 Ref. No. — flat gasket fibre ED ø 20mm ID ø 14mm thickness 2mm Qty 1 pcs
<b>accessories for</b>	416891
	GEV No. 501318 Ref. No. — nut thread 1/4" H 6.5mm SS WS 22 Qty 1 pcs
	GEV No. 503045 Ref. No. — nut thread 1/4" H 4.5mm brass WS 17 Qty 1 pcs
	GEV No. 560112 Ref. No. — plain washer ID ø 5.3mm ED ø 10mm thickness 1mm SS Qty 20 pcs DIN 125A for thread M5
	GEV No. 560132 Ref. No. — hexagonal nut thread M5 H 4mm WS 8 SS DIN/ISO DIN 934 / ISO 4032/8673 Qty 20 pcs

1			
<b>GEV No.</b>	416892	<b>Ref. No.</b>	3108A
<b>description</b>	heating element 4000W 230V heating circuits 1 L 347mm W 85mm H 235mm L1 47mm L2 300mm H1 195mm H2 40mm thread 1/4" mounting distance 77mm tube ø 8.5mm 2 hole fixing connection M5 fryer heaters windings 4		



<b>accessories for</b>	416892
	GEV No. 361182 Ref. No. — nut thread 1/4" H 5mm nickel-plated brass WS 17 Qty 1 pcs
	GEV No. 510417 Ref. No. — flat gasket fibre ED ø 20mm ID ø 14mm thickness 2mm Qty 1 pcs
	GEV No. 520228 Ref. No. — tooth lock washer ID ø 15.3mm ED ø 24mm steel Qty 1 pcs for thread M14
	GEV No. 550262 Ref. No. — flat gasket copper ED ø 20mm ID ø 14mm thickness 2mm
	GEV No. 560112 Ref. No. — plain washer ID ø 5.3mm ED ø 10mm thickness 1mm SS Qty 20 pcs DIN 125A for thread M5
	GEV No. 560132 Ref. No. — hexagonal nut thread M5 H 4mm WS 8 SS DIN/ISO DIN 934 / ISO 4032/8673 Qty 20 pcs

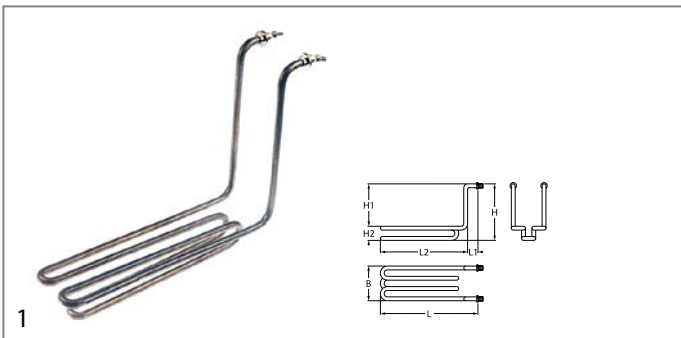
1			
<b>GEV No.</b>	416890	<b>Ref. No.</b>	3111
<b>description</b>	heating element 1670W 230V heating circuits 1 L 360mm W 85mm H 233mm L1 60mm L2 300mm H1 200mm H2 48mm thread 1/4" mounting distance 77mm tube ø 8.5mm 2 hole fixing connection M5 connection length 25mm fryer heaters windings 3		

<b>accessories for</b>	416890
	GEV No. 361182 Ref. No. — nut thread 1/4" H 5mm nickel-plated brass WS 17 Qty 1 pcs
	GEV No. 510417 Ref. No. — flat gasket fibre ED ø 20mm ID ø 14mm thickness 2mm Qty 1 pcs
	GEV No. 520228 Ref. No. — tooth lock washer ID ø 15.3mm ED ø 24mm steel Qty 1 pcs for thread M14
	GEV No. 550262 Ref. No. — flat gasket copper ED ø 20mm ID ø 14mm thickness 2mm







Table continues overleaf

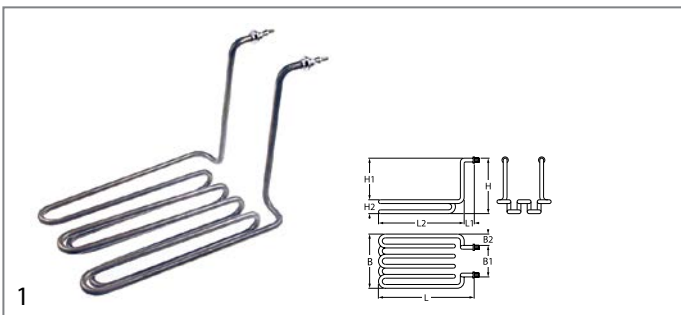
electric components

<b>accessories for</b> 416890			
	GEV No.	560112	Ref. No. —
plain washer ID ø 5.3mm ED ø 10mm thickness 1mm SS Qty 20 pcs DIN 125A for thread M5			
	GEV No.	560132	Ref. No. —
hexagonal nut thread M5 H 4mm WS 8 SS DIN/ISO DIN 934 / ISO 4032/8673 Qty 20 pcs			





<b>GEV No.</b>	416889	<b>Ref. No.</b>	3966
<b>description</b>	heating element 2000W 230V heating circuits 1 L 310mm W 73mm H 225mm L1 40mm L2 270mm H1 190mm H2 36mm thread 1/4" mounting distance 65mm tube ø 8.5mm 2 hole fixing connection M5 fryer heaters windings 3		

<b>accessories for</b> 416889			
	GEV No.	361182	Ref. No. —
nut thread 1/4" H 5mm nickel-plated brass WS 17 Qty 1 pcs			
	GEV No.	510417	Ref. No. —
flat gasket fibre ED ø 20mm ID ø 14mm thickness 2mm Qty 1 pcs			
	GEV No.	520228	Ref. No. —
tooth lock washer ID ø 15.3mm ED ø 24mm steel Qty 1 pcs for thread M14			
	GEV No.	550262	Ref. No. —
flat gasket copper ED ø 20mm ID ø 14mm thickness 2mm			
	GEV No.	560112	Ref. No. —
plain washer ID ø 5.3mm ED ø 10mm thickness 1mm SS Qty 20 pcs DIN 125A for thread M5			
	GEV No.	560132	Ref. No. —
hexagonal nut thread M5 H 4mm WS 8 SS DIN/ISO DIN 934 / ISO 4032/8673 Qty 20 pcs			



<b>GEV No.</b>	416888	<b>Ref. No.</b>	3955
<b>description</b>	heating element 3500W 230V heating circuits 2 L 300mm W 115mm H 232mm L1 28mm L2 272mm H1 190mm H2 42mm thread 1/4" tube ø 8.5mm 2 hole fixing connection M5 immersion heater windings 5 W1 70mm W2 45mm		

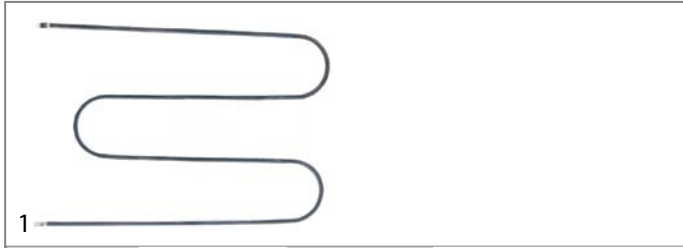
<b>accessories for</b> 416888			
	GEV No.	560112	Ref. No. —
plain washer ID ø 5.3mm ED ø 10mm thickness 1mm SS Qty 20 pcs DIN 125A for thread M5			

<b>accessories for</b> 416888			
	GEV No.	560132	Ref. No. —
hexagonal nut thread M5 H 4mm WS 8 SS DIN/ISO DIN 934 / ISO 4032/8673 Qty 20 pcs			

heating elements for hot counters



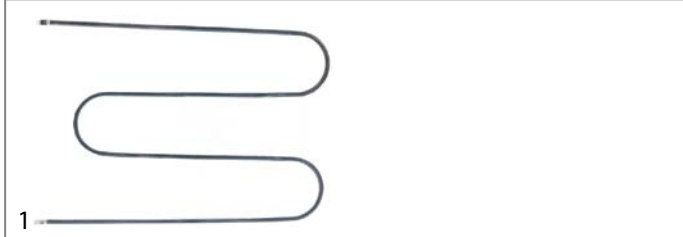
<b>GEV No.</b>	416883	<b>Ref. No.</b>	VETRRESSCB80
<b>description</b>	heating element 230V		



<b>GEV No.</b>	416881	<b>Ref. No.</b>	VETRRES01
<b>description</b>	heating element 400W 230V heating circuits 1 L 400mm W 280mm tube ø 6.3mm connection male faston 6.3mm dry heating element for vitrine		




<b>GEV No.</b>	416882	<b>Ref. No.</b>	VETRRES02
<b>description</b>	heating element 500W 230V heating circuits 1 L 500mm W 275mm connection distance 268mm tube ø 6.3mm connection male faston 6.3mm dry heating element for vitrine		



<b>GEV No.</b>	419010	<b>Ref. No.</b>	VETRRES01
<b>description</b>	heating element 600W 230V heating circuits 1 L 400mm W 280mm tube ø 6.3mm connection male faston 6.3mm dry heating element for vitrine		




<b>GEV No.</b>	418791	<b>Ref. No.</b>	VETRRES03
<b>description</b>	heating element 900W 230V heating circuits 1 L 615mm W 265mm tube ø 6.3mm connection male faston 6.3mm dry heating element		

1


<b>GEV No.</b>	416885	<b>Ref. No.</b>	VETRRES04
<b>description</b>	heating element 900W 230V heating circuits 1 L 870mm W 345mm connection distance 339mm connection length 20mm tube ø 6.3mm connection male faston 6.3mm dry heating element		

**heating elements for contact grills**




1

<b>GEV No.</b>	416877	<b>Ref. No.</b>	GRILLRES02
<b>description</b>	heating element 1000W 230V L 180mm W 192mm H 18mm L1 5mm L2 175mm W1 53mm W2 86mm tube ø 8.5mm mounting pos. upper connection M5 windings 3 dry heating element		




1

<b>GEV No.</b>	416879	<b>Ref. No.</b>	GRILLRES03
<b>description</b>	heating element 1200W 230V L 177mm W 257mm H 18mm L1 8mm L2 160mm W1 73mm W2 111mm tube ø 8.5mm connection length 24mm mounting pos. upper connection M4 windings 4 dry heating element		



1


<b>GEV No.</b>	416878	<b>Ref. No.</b>	GRILLRES01
<b>description</b>	heating element 1400W 230V L 198mm W 220mm H 46mm W1 60mm W2 100mm tube ø 8.5mm connection M5 connection length 24mm mounting pos. lower dry heating element windings 4		



1

<b>GEV No.</b>	416880	<b>Ref. No.</b>	GRILLRES04
<b>description</b>	heating element 1700W 230V L 198mm W 278mm H 40mm W1 60mm W2 168mm tube ø 8.5mm connection M4 connection length 23mm mounting pos. lower dry heating element windings 5		


**heating elements for salamanders/toast-**



1


<b>GEV No.</b>	416874	<b>Ref. No.</b>	TOSTRES01
<b>description</b>	heating element 450W 115V L 344mm thread M12x1 connection length 23mm tube ø 8.5mm connection male faston 6.3mm heating circuits 1 dry heating element toaster W 8.5mm H 8.5mm		

**quartz heating elements**




1

<b>GEV No.</b>	416187	<b>Ref. No.</b>	TOSTRES01
<b>description</b>	quartz heating element 400W 115V L 260mm ø 12mm connection male faston 6.3mm mounting distance 24.8mm		




1

<b>GEV No.</b>	418625	<b>Ref. No.</b>	TOSTRES02
<b>description</b>	quartz heating element 500W 115V L 365mm ø 10mm connection male faston 6.3mm		



1

<b>GEV No.</b>	416873	<b>Ref. No.</b>	TOSTRES04
<b>description</b>	quartz heating element 500W 75V L 510mm ø 12mm connection male faston 6.3mm mounting distance 495mm 110ohm		



1

<b>GEV No.</b>	416871	<b>Ref. No.</b>	TOSTRES01
<b>description</b>	quartz heating element 800W 230V L 285mm		



## hot plates

### round

with radiused edge

for domestic and commercial kitchens



1

<b>GEV No.</b>	490129	<b>Ref. No.</b>	SNACKPIAS1
<b>description</b>	hot plate ø 180mm 1500W 230V connection 4 screw clamps with 8mm spill ring		



1

<b>GEV No.</b>	490130	<b>Ref. No.</b>	SNACKPIAS2
<b>description</b>	hot plate ø 220mm 2000W 230V connection 4 screw clamps with 8mm spill ring		

## thermostats

### bi-metal thermostats

bi-metal thermostats



1

<b>GEV No.</b>	390323	<b>Ref. No.</b>	VETRTERMSICU
<b>description</b>	bi-metal thermostat hole distancemm switch-off temp. 145°C 1NC 1-pole 16A connection F6.3 M4		

### control and safety thermostats

EGO

control thermostats

55.10/19\_ series



1

<b>GEV No.</b>	375777	<b>Ref. No.</b>	3064
<b>description</b>	thermostat t.max. 180°C temperature range 70-180°C 1-pole 1NO 16A probe ø 6mm probe L 87mm capillary pipe 600mm capillary pipe isolated 350mm gland nut shaft ø 6x4.6mm shaft L 23mm shaft position upper rotation 270°		



1

<b>GEV No.</b>	375002	<b>Ref. No.</b>	GRILLTERMOS
<b>description</b>	thermostat t.max. 320°C temperature range 55-320°C 1-pole 1NO 16A probe ø 3.1mm probe L 226mm capillary pipe 870mm capillary pipe isolated 850mm gland nut shaft L 23mm shaft position upper rotation 270°		

### safety thermostats

55.32\_ series



1

<b>GEV No.</b>	375724	<b>Ref. No.</b>	03299/A
<b>description</b>	safety thermostat switch-off temp. 246°C 3-pole 20A probe ø 6mm probe L 79mm capillary pipe 1300mm capillary pipe isolated 1100mm gland nut probe SS		


### IMIT / TEMPOMATIC / ARTERMO

control thermostats



1

<b>GEV No.</b>	375620	<b>Ref. No.</b>	VETRTER120
<b>description</b>	thermostat t.max. 120°C temperature range 30-120°C 1-pole 1CO 15A probe ø 6.5mm probe L 95mm capillary pipe 1000mm capillary pipe isolated 1000mm gland nut shaft ø 6x4.6mm shaft L 19mm shaft position upper rotation 270°		

1


<b>GEV No.</b>	375543	<b>Ref. No.</b>	3064
<b>description</b>	thermostat t.max. 190°C 1-pole gland nut shaft ø 6x4.6mm		

safety thermostats



1

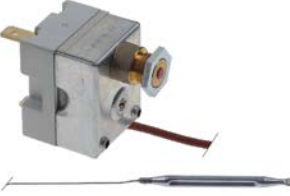
<b>GEV No.</b>	375542	<b>Ref. No.</b>	9004
<b>description</b>	safety thermostat LS1 8174 switch-off temp. 238°C 1-pole 15A probe ø 5mm probe L 100mm capillary pipe 550mm capillary pipe isolated-mm gland nut probe SS		



1

<b>GEV No.</b>	375509	<b>Ref. No.</b>	9004
<b>description</b>	thermostat switch-off temp. 230°C 1-pole 1NC 16A probe ø 6mm probe L 62mm capillary pipe 450mm capillary pipe isolated 40mm gland nut probe screw connection M10x1 connection male faston 6.3mm		


CAMPINI safety thermostats



1

<b>GEV No.</b>	375915	<b>Ref. No.</b>	9004
<b>description</b>	safety thermostat switch-off temp. 232°C 1-pole 1NC 16A probe ø 5mm probe L 68mm capillary pipe 960mm capillary pipe isolated 70mm screw connection M10		

various control thermostats




1


<b>GEV No.</b>	375820	<b>Ref. No.</b>	3064
<b>description</b>	thermostat t.max. 190°C temperature range 0-190°C 1-pole 1CO 16A probe ø 4.5mm probe L 130mm capillary pipe 550mm shaft ø 6x4.6mm shaft L 19mm shaft position upper rotation 270° 250V		

switches and momentary switches rocker/momentary rocker switches


30x22mm



1


<b>GEV No.</b>	301003	<b>Ref. No.</b>	TOSTINTER
<b>description</b>	rocker switch mounting measurements 30x22mm green 2NO 250V 16A illuminated 0-I connection male faston 6.3mm ambient temperature max. 125/55°C protection IP65		
<b>accessories for</b>	301003		
	<b>GEV No.</b>	301036	<b>Ref. No.</b> —
	protective cover internal size 30x22mm for rocker switch mounting measurementsmm		

microswitches lever actuated



1

<b>GEV No.</b>	345255	<b>Ref. No.</b>	03041/A
<b>description</b>	microswitch with lever 250V 16A 1CO connection male faston 6.3mm L 35mm L1 28mm ambient temperature max. 125°C mounting distance 22mm actuating force: 136g lever length 27mm		



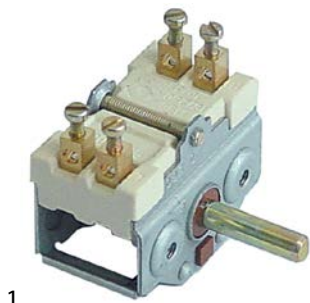
1

<b>GEV No.</b>	347684	<b>Ref. No.</b>	03041/B
<b>description</b>	microswitch with lever 250V 16A 2NO connection male faston 6.3mm L 36mm ambient temperature max. 125°C mounting distance 22.2mm type VRSR01AA1 actuating force: 145g		



## cam switches

## on/off



1

<b>GEV No.</b>	300151	<b>Ref. No.</b>	03227/B
----------------	--------	-----------------	---------

<b>description</b>	cam switch 2 operating positions 2NO sequence 0-1 16A shaft ø 6x4.6mm shaft L 23mm connection screw ceramic		
--------------------	---	--	--



1

<b>GEV No.</b>	300176	<b>Ref. No.</b>	03227/A
----------------	--------	-----------------	---------

<b>description</b>	cam switch 2 operating positions 4NO sequence 0-1 16A shaft ø 6x4.6mm shaft L 23mm connection screw		
--------------------	---	--	--

## 7-position



1

<b>GEV No.</b>	300177	<b>Ref. No.</b>	SNACKCOMMUT
----------------	--------	-----------------	-------------

<b>description</b>	cam switch 7 operating positions 6NO sequence 0-1-2-3-4-5-6 16A shaft ø 6x4.6mm shaft L 23mm connection male faston 6.3mm 7-position		
--------------------	--	--	--

## lamps

## indicator lights

## indicator lights 2-piece (lens and indicator lamp)

## indicator light lenses

ø10mm (type SR-3)



1

<b>GEV No.</b>	359815	<b>Ref. No.</b>	3066
----------------	--------	-----------------	------

<b>description</b>	indicator light housings mounting measurements ø10mm clear Qty 1 pcs		
--------------------	--	--	--



1

<b>GEV No.</b>	359816	<b>Ref. No.</b>	3067
----------------	--------	-----------------	------

<b>description</b>	indicator light housings mounting measurements ø10mm green Qty 1 pcs		
--------------------	--	--	--

## indicator lamps for socket type SA / SC / SD / SF / SR



1

<b>GEV No.</b>	359814	<b>Ref. No.</b>	3676
----------------	--------	-----------------	------

<b>description</b>	indicator lamp 230V clear connection cable 400mm cable material silicone Qty 1 pcs		
--------------------	--	--	--

## indicator lights (complete)

ø10mm

with plug-in socket



1

<b>GEV No.</b>	359374	<b>Ref. No.</b>	TOSTGEMMA
----------------	--------	-----------------	-----------

<b>description</b>	indicator light ø 10mm 230V green		
--------------------	-----------------------------------	--	--

ø13mm

with plug-in socket



1

<b>GEV No.</b>	359142	<b>Ref. No.</b>	GRILLAMPAD
----------------	--------	-----------------	------------

<b>description</b>	indicator light ø 13mm green 230V connection male faston 6.3mm temp.-resist. 120°C Qty 1 pcs		
--------------------	--	--	--



1

<b>GEV No.</b>	359143	<b>Ref. No.</b>	GRILLAMPAD GRILLGEMMA TOSTLAMP VETRIGEMMA
----------------	--------	-----------------	--


<b>description</b>	indicator light ø 13mm yellow 230V connection male faston 6.3mm temp.-resist. 120°C Qty 1 pcs		
--------------------	---	--	--






## timers

### mechanical timers

 <p>1</p>			
<b>GEV No.</b>	350032	<b>Ref. No.</b>	Tosttimer
<b>description</b>	timer M2 2-pole operation time 15min impulse mechanical 2NO at 250V 16A permanent position no shaft ø 6x4.6mm shaft L 18mm mounting distance 28mm connection rear		
<b>accessories for</b>	350032		
	<b>GEV No.</b>	110366	<b>Ref. No.</b> Tosttimerman
	knob switch zero mark t.max.°C ø 44mm shaft ø 6x4.6mm shaft flat upper black		
	<b>GEV No.</b>	110371	<b>Ref. No.</b> —
	dial plate graduation 15min permanent position no rotation 30-330° ø 60mm timers knob ø 45mm		

### spare parts and accessories

#### knobs

 <p>1</p>			
<b>GEV No.</b>	110366	<b>Ref. No.</b>	Tosttimerman
<b>description</b>	knob switch zero mark t.max.°C ø 44mm shaft ø 6x4.6mm shaft flat upper black		

## contactors

### GENERAL ELECTRIC (AEG)

#### power contactors

 <p>1</p>			
<b>GEV No.</b>	380238	<b>Ref. No.</b>	9023 SALAMANDCONT
<b>description</b>	power contactor resistive load 20A 230VAC (AC3/400V) 8.4A/4kW main contacts 3NO auxiliary contacts 1NO connection screw connection type LS0510A type AEG LS0510A type GE MC1A 310A		

## ignition parts

### pilot burners

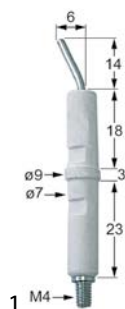
#### SIT

#### 100 series

 <p>1</p>			
<b>GEV No.</b>	107139	<b>Ref. No.</b>	03139
<b>description</b>	pilot burner SIT type 100 series 1 flame nozzle ø 0.2mm gas connectionmm		
<b>spare parts for</b>	107139		
	<b>GEV No.</b>	100854	<b>Ref. No.</b> —
	pilot burner bracket double		
	<b>GEV No.</b>	100885	<b>Ref. No.</b> —
	air mixing sleeve for pilot burner Qty 1 pcs		
	<b>GEV No.</b>	107160	<b>Ref. No.</b> —
	pilot burner cap SIT 1 flame Hmm Lmm Qty 1 pcs		
<b>accessories for</b>	107139		
	<b>GEV No.</b>	100904	<b>Ref. No.</b> —
	locking screw M10x1 for pipe ø 4mm Qty 1 pcs		
	<b>GEV No.</b>	100905	<b>Ref. No.</b> —
	locking screw M10x1 for pipe ø 6mm Qty 1 pcs		
	<b>GEV No.</b>	100998	<b>Ref. No.</b> —
	pilot burner bottom part nozzle ø 0.21mm suitable for 100 series		
	<b>GEV No.</b>	102110	<b>Ref. No.</b> —
	pilot tube copper pipe ø 4mm thickness 1mm L 3000mm		
	<b>GEV No.</b>	102111	<b>Ref. No.</b> —
	pilot tube copper pipe ø 6mm thickness 1mm L 3000mm		

accessories

ignition electrodes



<b>GEV No.</b>	100706	<b>Ref. No.</b>	3152
<b>description</b>	ignition electrode connection M4 Qty 1 pcs		

electrodes



<b>GEV No.</b>	100706	<b>Ref. No.</b>	3152
<b>description</b>	ignition electrode connection M4 Qty 1 pcs		

gas nozzles

main nozzles

gas nozzles M12x1



<b>GEV No.</b>	106568	<b>Ref. No.</b>	FRIGUGELLI
<b>description</b>	gas injector thread M12x1 WS 13 bore ø 1.25mm		

equipment-specific units

for toasters

pliers

pliers



<b>GEV No.</b>	690010	<b>Ref. No.</b>	TOSTPINZA
<b>description</b>	plier for toaster H 180mm total length 100mm		

knobs

producer-specific knobs

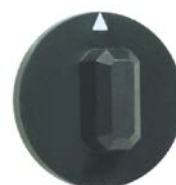
FORVED



<b>GEV No.</b>	112011	<b>Ref. No.</b>	3096
<b>description</b>	knob switch zero mark ø 41mm shaft ø 6x4.6mm shaft flat upper black		



<b>GEV No.</b>	111550	<b>Ref. No.</b>	SNACKMANCUC VETREMANTERM
<b>description</b>	knob switch zero mark ø 48mm shaft ø 6x4.6mm shaft flat upper black		



<b>GEV No.</b>	110366	<b>Ref. No.</b>	Tosttimerman
<b>description</b>	knob switch zero mark t.max. °C ø 44mm shaft ø 6x4.6mm shaft flat upper black		



## handles and hand wheels

### handle bars

#### handle bars



<b>GEV No.</b>	693200	<b>Ref. No.</b>	GRILLIMPEGNO
<b>description</b>	handle rod		

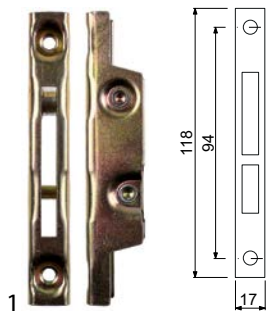
### bracket handles



<b>GEV No.</b>	693440	<b>Ref. No.</b>	3063
<b>description</b>	pull handle mounting distance 88mm for fryer		
<b>For models:</b>	FLT 8+8BS, FLT 8BS, FLT12+12B, FLT12+12BS, FLT12B, FLT12BS, FLT20+20B, FLT20+20BS, FLT20B, FLT20BS		

## hinges

### oven hinges



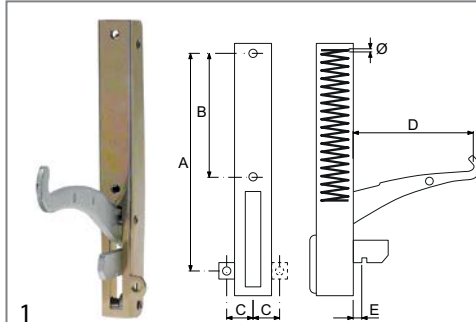
<b>GEV No.</b>	700001	<b>Ref. No.</b>	03808c
<b>description</b>	opposite support L 118mm W 17mm mounting distance 94mm		



<b>GEV No.</b>	700006	<b>Ref. No.</b>	03478D
<b>description</b>	oven hinge mounting distance 173mm mounting distance 2 105mm lug mounting 14mm lever length 120mm groove distance 11mm spring thickness 3.5mm mounting ear position left spring length 112mm W 25mm		

<b>accessories for</b>	700006		
<b>GEV No.</b>	700001	<b>Ref. No.</b>	03808c
<b>description</b>	opposite support L 118mm W 17mm mounting distance 94mm		

<b>accessories for</b>	700006		
<b>GEV No.</b>	700007	<b>Ref. No.</b>	03478s
<b>description</b>	oven hinge mounting distance 173mm mounting distance 2 105mm lug mounting 14mm lever length 120mm groove distance 11mm spring thickness 3.5mm mounting ear position right spring length 112mm W 25mm		



<b>GEV No.</b>	700007	<b>Ref. No.</b>	03478s
<b>description</b>	oven hinge mounting distance 173mm mounting distance 2 105mm lug mounting 14mm lever length 120mm groove distance 11mm spring thickness 3.5mm mounting ear position right spring length 112mm W 25mm		

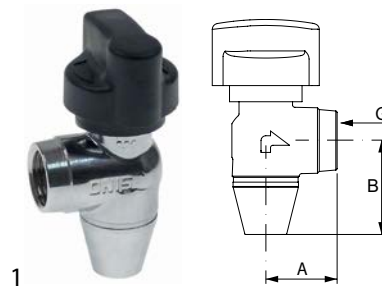
<b>accessories for</b>	700007		
<b>GEV No.</b>	700001	<b>Ref. No.</b>	03808c
<b>description</b>	opposite support L 118mm W 17mm mounting distance 94mm		

<b>GEV No.</b>	700006	<b>Ref. No.</b>	03478D
<b>description</b>	oven hinge mounting distance 173mm mounting distance 2 105mm lug mounting 14mm lever length 120mm groove distance 11mm spring thickness 3.5mm mounting ear position left spring length 112mm W 25mm		

## fittings for catering equipment

### outlet taps


#### universal



<b>GEV No.</b>	540747	<b>Ref. No.</b>	FRIGRUBINFR8
<b>description</b>	outlet tap chrome-plated brass angled W 30mm H 40mm thread 1/2" IT		


producer-specific

FORVED



1

<b>GEV No.</b>	514006	<b>Ref. No.</b>	3962
<b>description</b>	drain pipe L 200mm thread ø 22mm		




1

<b>GEV No.</b>	540952	<b>Ref. No.</b>	3964
<b>description</b>	outlet tap L 84mm fryer lever handle grommet ø 30mm grommet length 29mm thread 3/4" IT handle length 81mm		



1

<b>GEV No.</b>	970701	<b>Ref. No.</b>	3961
<b>description</b>	fryer basket W1 220mm L1 280mm H1 110mm H2 200mm		



1

<b>GEV No.</b>	970374	<b>Ref. No.</b>	3961
<b>description</b>	fryer basket W1 235mm L1 270mm H1 110mm H2 210mm chrome-plated steel		

baskets


fryer baskets

FORVED



1

<b>GEV No.</b>	970372	<b>Ref. No.</b>	3960
<b>description</b>	fryer basket W1 190mm L1 245mm H1 110mm L2 450mm H2 225mm		



1

<b>GEV No.</b>	970373	<b>Ref. No.</b>	3967
<b>description</b>	fryer basket W1 210mm L1 250mm H1 110mm		



1

<b>GEV No.</b>	970004	<b>Ref. No.</b>	100117
<b>description</b>	fryer basket W1 313mm L1 490mm H1 115mm		




1

<b>GEV No.</b>	970376	<b>Ref. No.</b>	3323
<b>description</b>	fryer basket W1 337mm L1 606mm H1 115mm		

springs

torsion springs



1

<b>GEV No.</b>	693199	<b>Ref. No.</b>	GRILLMOLLA
<b>description</b>	torsion spring ø 21mm L1 38mm L2 118mm L3 38mm wire gauge ø 3.8mm		

## valves and tank inlets

## ball valves

## universal

## ball valves with lever handle



1

<b>GEV No.</b>	540910	<b>Ref. No.</b>	3118
<b>description</b>	ball valve connection 3/4" IT - hose ø19mm total length 110mm with lever handle handle length 95mm		



**B**

ball valves	13
bi-metal thermostats	6, 6

**C**

cam switches	8
contactors	9
control thermostats	6, 6

**G**

gas nozzles	10
-------------	----

**H**

heating elements	3
heating elements for bain maries	3
heating elements for contact grills	5
heating elements for fryers	3
heating elements for salamanders/toasters	5
hot plates	6

**I**

indicator lights	8
indicator lights (complete)	8

**L**

lamps	8
-------	---

**M**

mechanical timers	9
microswitches	7

**O**

oven hinges	11
-------------	----

**P**

pilot burners	9
---------------	---

**Q**

quartz heating elements	5
-------------------------	---

**R**

rocker/momentary rocker switches	7
----------------------------------	---

**S**

safety thermostats	6, 7
switches and momentary switches	7

**T**

thermostats	6
timers	9

**V**

valves and tank inlets	13
------------------------	----