



GAS COMPONENTS



ELECTRIC COMPONENTS



WATER TECHNOLOGY



MECHANICAL COMPONENTS



TOOLS

Spare parts suitable for

FRIFRI

Find the complete and up-to-date range of products in our GEV Webshop



Manufacturer catalogue

The most important spare parts and accessories arranged clearly for every manufacturer

- ✓ Complete product range and all appliance data always up to date in the GEV Webshop
- ✓ Alphabetical Index at the end of the catalogue

GEV Webshop

www.gev-online.co.uk

www.gev-online.com




- 🔍 Add to Favourites
- 🔍 Sign In with email address and usual password
- 🔍 Easy-order – place several items in your basket at the same time
- 🔍 Quick Item search – no login needed

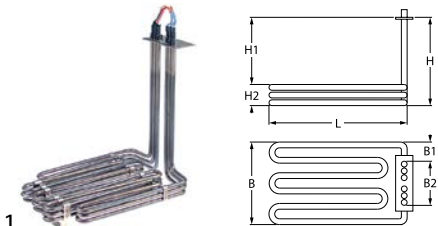


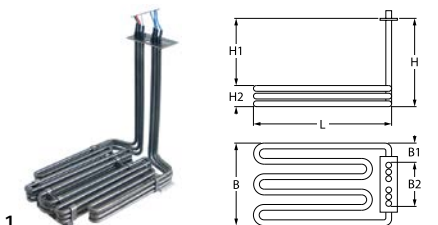
heating elements

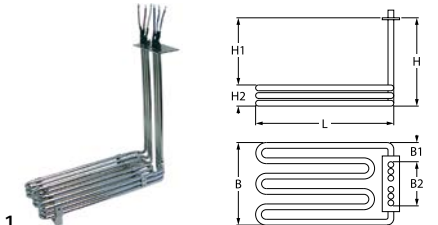
heating elements for chip scuttles

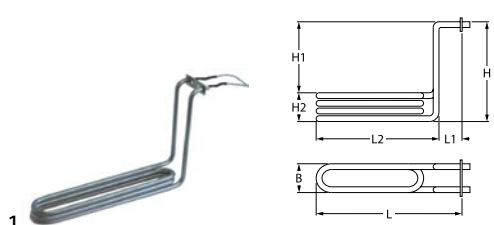
			
GEV No.	418465	Ref. No.	1G592028
description	heating element 800W 230V heating circuits 1 L 370mm W 95mm connection male faston 6.3mm tube ø 6.3mm dry heating element connection distance 89mm		
For models:	SILOFRIT-ASF1, SILOFRIT-BSF1		

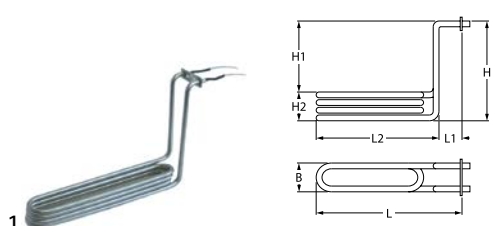
heating elements for fryers

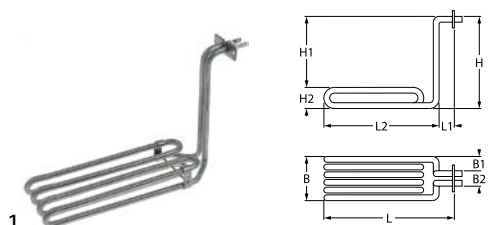
			
GEV No.	416426	Ref. No.	300950 300950 (10-09)
description	heating element 11400W 230/400V heating circuits 3 L 310mm W 215mm H 298mm rectangular flange immersion heater W1 66mm W2 60mm H1 260mm H2 32mm hole distance 95mm hole ø 6mm flange length 106mm flange width 52mm cable length 70mm tube ø 8.5mm connection length 33mm		
For models:	FFE31, FFM31, FFS31, FFS41		

			
GEV No.	416425	Ref. No.	100744
description	heating element 11400W 230V heating circuits 3		

			
GEV No.	415741	Ref. No.	100299 101105 12-01 600644
description	heating element 7500W 230/400V heating circuits 3 L 310mm W 130mm H 295mm rectangular flange connection cable fryer heaters W1 26mm W2 78mm H1 261mm H2 34mm hole distance 95mm hole ø 6mm flange length 105mm flange width 52mm cable length 70mm tube ø 8.5mm		
For models:	FF21, FF41, FF42, FFE21, FFE41, FFE41TWIN, FFE42, FFM21, FFM41, FFM41TWIN, FFM42, FFS21, FFS41, FFS42		

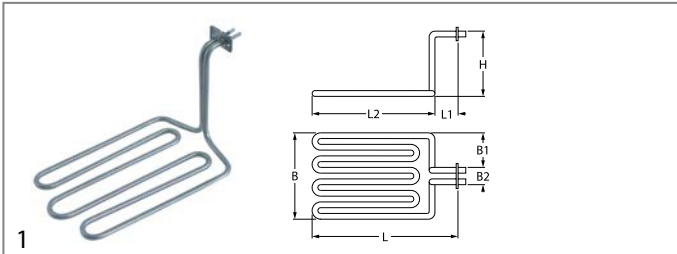
			
GEV No.	415738	Ref. No.	09-09 400361 400533
description	heating element 2000W 230V heating circuits 1 L 302mm W 51mm H 177mm L1 15mm L2 285mm H1 152mm H2 25mm windings 3 flange length 56mm flange width 18mm hole distance 18mm hole ø 4.9mm cable length 330mm tube ø 8.5mm rectangular flange fryer heaters		
For models:	D8		

			
GEV No.	415739	Ref. No.	09-10 400362 400534
description	heating element 3000W 230V heating circuits 1 L 298mm W 51mm H 190mm L1 18mm L2 280mm H1 150mm H2 40mm windings 4 flange length 57mm flange width 18mm hole distance 18mm hole ø 4mm cable length 250mm connection length 45mm tube ø 8.5mm rectangular flange fryer heaters		
For models:	D4		

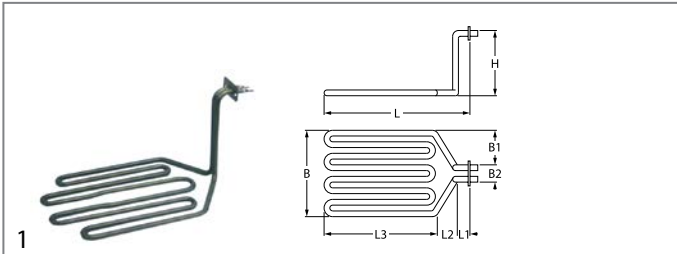
			
GEV No.	415742	Ref. No.	100947
description	heating element 2300W 230V heating circuits 1 L 280mm W 90mm H 180mm L1 25mm L2 257mm W1 35mm W2 20mm H1 150mm H2 30mm windings 4 flange length 50mm flange width 20mm hole distance 40mm hole ø 5mm connection male faston 6.3mm tube ø 8.5mm rectangular flange fryer heaters		
For models:	FT10, FT4, FT4+4, FT6, FT8, PROFI10, PROFI6, PROFI6+6, PROFI8, PROFI8+8		

electric components

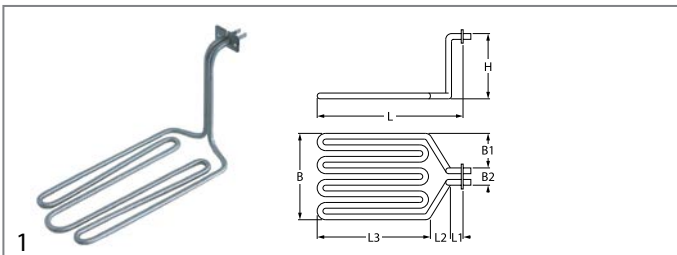
heating elements for salamanders/toast-



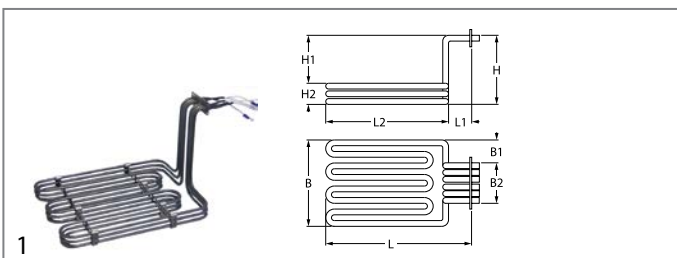
GEV No.	416424	Ref. No.	300915
description	heating element 3200W 230V heating circuits 1 L 297mm W 180mm H 161mm L1 28mm L2 269mm W1 81mm W2 18mm flange length 47mm flange width 25mm hole distance 34mm windings 3 tube ø 8mm connection length 29mm connection male faston 6.3mm hole ø 4mm rectangular flange immersion heater		
For models:	ECO6, ECO6+6		




GEV No.	415719	Ref. No.	09-26
description	heating element 3200W 230V heating circuits 1 L 290mm W 179mm H 148mm rectangular flange connection male faston 6.3mm fryer heaters L1 12mm L2 68mm L3 210mm W1 80mm W2 19mm hole distance 34mm windings 4 hole ø 4mm flange length 47mm flange width 24mm		



GEV No.	416423	Ref. No.	300914
description	heating element 3200W 230V heating circuits 1 L 295mm W 127mm H 162mm rectangular flange connection male faston 6.3mm fryer heaters L1 25mm L2 20mm L3 250mm W1 55mm W2 18mm hole distance 34mm windings 3 hole ø 4.5mm flange length 46mm flange width 25mm tube ø 7mm connection length 30mm		
For models:	ECO4, ECO4+4		




GEV No.	415743	Ref. No.	09-05 21550015
description	heating element 3750W 230/400V heating circuits 3 L 284mm W 203mm H 164mm L1 19mm L2 265mm W1 55mm W2 75mm H1 140mm H2 24mm windings 9 flange length 65mm flange width 24mm hole distance 29mm hole ø 5mm connection cable cable length 100mm rectangular flange fryer heaters		




GEV No.	419023	Ref. No.	300563
description	heating element 400W 230V heating circuits 1 L 405mm tube ø 8.5mm dry heating element salamander/pizza oven		
For models:	DUOFOUR, SALAMANDER		


quartz heating elements




GEV No.	550346	Ref. No.	25-07, 400.003
description	insulator ceramic for quartz heating element L 15mm ø 9mm		




GEV No.	415301	Ref. No.	13-01 23050001
description	quartz heating element 190W 230V L 450mm ø 10mm connection plug-in connection		




GEV No.	415309	Ref. No.	12050000 14-01
description	quartz heating element 400W 230V L 340mm ø 10mm connection plug-in connection		



GEV No.	415302	Ref. No.	14-04 400595 600005
description	quartz heating element 400W 230V L 420mm ø 10mm connection plug-in connection		
For models:	DUOFOUR, SALAMANDER		




GEV No.	415313	Ref. No.	14-03 25550001
description	quartz heating element 420W 230V L 460mm ø 10mm connection plug-in connection		



1

GEV No.	550341	Ref. No.	25-01, 230.59.002
description	socket ceramic for quartz heating element		



1

GEV No.	550341	Ref. No.	25-01, 230.59.002
description	socket ceramic for quartz heating element		

thermostats

control and safety thermostats


EGO

control thermostats

55.13_ series



GEV No.	375683	Ref. No.	400374
description	thermostat t.max. 175°C temperature range 95-175°C 1-pole 1NO 16A probe ø 4mm probe L 157mm capillary pipe 670mm capillary pipe isolated 350mm gland nut shaft ø 6x4.6mm shaft L 23mm shaft position upper rotation 270°		
For models:	D4		



1

GEV No.	375224	Ref. No.	400772 601034
description	thermostat t.max. 184°C temperature range 35-184°C 1-pole 1NO 16A probe ø 3mm probe L 165mm capillary pipe 520mm capillary pipe isolated 270mm gland nut shaft ø 6x4.6mm shaft L 20mm shaft position upper rotation 270° probe material SS		
For models:	ECO4, ECO4+4, ECO6, ECO6+6		

foil heating elements




1

GEV No.	418472	Ref. No.	1G962947
description	foil heating element L 400mm W 230mm 175W 230V aluminium cable length 490mm thickness 3mm		
For models:	SILOFRIT-ASF1, SILOFRIT-BSF1		


accessories

various




1

GEV No.	550343	Ref. No.	25-03, 230.59.004
description	clamp for socket		




1

GEV No.	550345	Ref. No.	25-06, 230.59.005
description	spring angled for socket		



1

GEV No.	550344	Ref. No.	140.59.007 (25-05)
description	spring straight for socket		



1

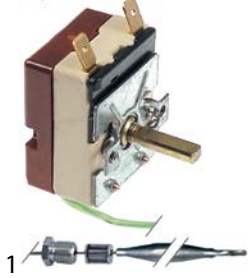
GEV No.	550346	Ref. No.	25-07, 400.003
description	insulator ceramic for quartz heating element L 15mm ø 9mm		



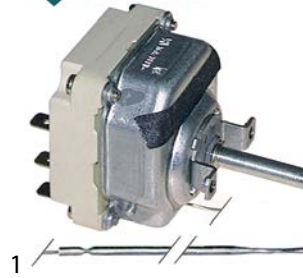
GEV No.	375677	Ref. No.	400541
description	thermostat t.max. 195°C temperature range 103-195°C 1-pole 1NO 16A probe ø 4mm probe L 157mm capillary pipe 2250mm capillary pipe isolated 2020mm gland nut shaft L 18mm shaft position upper rotation 270°		
For models:	FF21, FF31, FF41, FF42, FFS21, FFS31, FFS41, FFS42		



GEV No.	375512	Ref. No.	400370
description	thermostat t.max. 185°C temperature range 95-185°C 3-pole 3NO 16A probe ø 6mm probe L 133mm capillary pipe 2430mm capillary pipe isolated 1100mm gland nut M9x1 shaft ø ø6x4.6mm shaft L 23mm shaft position upper rotation 270°		
For models:	D6, D8		

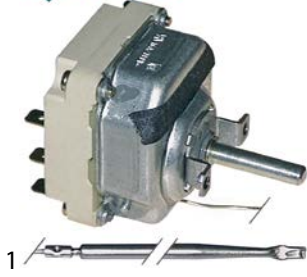


GEV No.	375527	Ref. No.	100374
description	thermostat t.max. 200°C temperature range 60-200°C 1-pole 1NO 16A probe ø 6mm probe L 77mm capillary pipe 870mm capillary pipe isolatedmm gland nut M9x1 shaft L 23mm shaft position upper rotation 270°		



GEV No.	375050	Ref. No.	100374
description	thermostat t.max. 200°C temperature range 60-200°C 3-pole 3NO 16A probe ø 3.1mm probe L 235mm capillary pipe 1480mm capillary pipe isolatedmm gland nut shaft L 23mm shaft position upper rotation 270°		

55.34_series



GEV No.	375256	Ref. No.	400369
description	thermostat t.max. 175°C temperature range 100-175°C 3-pole 3NO 16A probe ø 4mm probe L 157mm capillary pipe 850mm capillary pipe isolated 350mm gland nut shaft ø ø6x4.6mm shaft L 23mm shaft position upper rotation 270°		
For models:	D6, D8		



GEV No.	375043	Ref. No.	09580111
description	thermostat t.max. 200°C temperature range 65-200°C 3-pole 3NO 16A probe ø 6mm probe L 77mm capillary pipe 880mm capillary pipe isolated 800mm gland nut M9x1 shaft ø ø6x4.6mm shaft L 23mm shaft position upper rotation 270°		

safety thermostats

55.13_ series



GEV No.	390817	Ref. No.	09580134
description	safety thermostat switch-off temp. 250°C 1-pole probe ø 6mm probe L 78mm capillary pipe 900mm capillary pipe isolated gland nut probe		
For models:	OPTIMA-E20, OPTIMA-E22, OPTIMA-E30, OPTIMA-E32, OPTIMA-E40, OPTIMA-E42, OPTIMA-E47, OPTIMA-E48, OPTIMA-EE20, OPTIMA-EE22, OPTIMA-EE30, OPTIMA-EE32, OPTIMA-EE40, OPTIMA-EE42, OPTIMA-EE47, OPTIMA-EE48		



GEV No.	375678	Ref. No.	400375
description	safety thermostat switch-off temp. 290°C 1-pole 16A probe ø 4mm probe L 111mm capillary pipe 710mm capillary pipe isolated 450mm gland nut probe SS		
For models:	D4		

55.31_ series



GEV No.	375127	Ref. No.	02-02 400189
description	safety thermostat switch-off temp. 290°C 3-pole 20A probe ø 6mm probe L 220mm capillary pipe 840mm capillary pipe isolated gland nut probe		



GEV No.	375679	Ref. No.	400364
description	safety thermostat switch-off temp. 295°C 3-pole 20A probe ø 4mm probe L 157mm capillary pipe 670mm capillary pipe isolated 350mm gland nut probe SS		
For models:	D6, D8		

56_ series



GEV No.	375442	Ref. No.	601275
description	safety thermostat capillary pipe 1760mm probe ø 4mm 1-pole probe L 100mm 16A capillary pipe isolated 1600mm gland nut switch-off temp. 320°C probe		

CAEM

safety thermostats



GEV No.	375899	Ref. No.	600381
description	safety thermostat switch-off temp. 222°C 1-pole 16A probe ø 3mm probe L 160mm capillary pipe 900mm capillary pipe isolated 190mm gland nut probe material SS replace set		


JAEGER

safety thermostats





GEV No.	375244	Ref. No.	600709
description	safety thermostat		
For models:	ECO4, ECO4+4, ECO6, ECO6+6		



			
1			
GEV No.	375248	Ref. No.	600707
description	safety thermostat switch-off temp. 295°C 16A probe ø 3mm probe L 138mm capillary pipe 610mm capillary pipe isolated 440mm screw mounting complete auxiliary equipment		
For models:	FT10, FT4, FT4+4, FT6, FT8		


various
safety thermostats



			
1			
GEV No.	375682	Ref. No.	400537 400674 400676 600383
description	safety thermostat switch-off temp. 285°C 1-pole		
For models:	FF21, FF31, FF41, FF42		


			
1			
GEV No.	375249	Ref. No.	600711
description	safety thermostat switch-off temp. 305°C probe ø 3mm probe L 140mm capillary pipe 2270mm screw mounting		
For models:	FFS21, FFS31, FFS41, FFS42		

switches and momentary switches


rocker/momentary rocker switches

30x11mm			
			
1			
GEV No.	301012	Ref. No.	400553
description	rocker switch mounting measurements 30x11mm green 1NO/indicator light 250V 16A 0-1 connection male faston 6.3mm ambient temperature max. 85/125°C protection IP40		
For models:	DUOFOUR		

30x22mm			
			
1			
GEV No.	301003	Ref. No.	400627
description	rocker switch mounting measurements 30x22mm green 2NO 250V 16A illuminated 0-1 connection male faston 6.3mm ambient temperature max. 125/55°C protection IP65		
For models:	DUOFOUR, FF21, FF31, FF41, FF42, FT10, FT4, FT4+4, FT6, FT8, SALAMANDER		
accessories for	301003		
	GEV No.	301036	Ref. No.
			400647
	protective cover internal size 30x22mm for rocker switch mounting measurementsmm		


			
1			
GEV No.	301036	Ref. No.	400647
description	protective cover internal size 30x22mm for rocker switch mounting measurementsmm		
For models:	FF21, FF31, FF41, FF42, FT10, FT4, FT4+4, FT6, FT8		


push/momentary push switches

30x22mm			
			
1			
GEV No.	301036	Ref. No.	400647
description	protective cover internal size 30x22mm for rocker switch mounting measurementsmm		
For models:	FF21, FF31, FF41, FF42, FT10, FT4, FT4+4, FT6, FT8		


microswitches

pin-plunger actuated

			
1			
GEV No.	345060	Ref. No.	400547
description	microswitch with plunger 250V 16A 1NO connection male faston 6.3mm ambient temperature max. 85°C mounting distance 22mm type BS1010 actuating force: 350g red stroke 9mm		
For models:	ECO4, ECO4+4, ECO6, ECO6+6, FF21, FF31, FF41, FF42, FT10, FT4, FT4+4, FT6, FT8, PROF10, PROF16, PROF16+6, PROF18, PROF18+8		

			
1			
GEV No.	300092	Ref. No.	400358
description	microswitch with plunger 400V 16A 2NO connection male faston 6.3mm ambient temperature max. 85°C mounting distance 22mm type XTD22A21 actuating force: 150g fryer black		

non-standard

			
1			
GEV No.	345126	Ref. No.	03-21 400358
description	microswitch with plunger 2NO connection male faston 6.3mm		
For models:	D4		

cam switches

on/off




1			
GEV No.	300074	Ref. No.	1G960702
description	cam switch 4 operating positions 2NO sequence 0-1-0-1 16A shaft \varnothing 6x4.6mm shaft L 23mm connection male faston 6.3mm ceramic		
For models:	SILOFRIT-ASF1, SILOFRIT-BSF1		

operation switches



1			
GEV No.	300002	Ref. No.	400371
description	cam switch 2 operating positions 4NO 16A sequence 0-1 shaft \varnothing 6x4.6mm shaft L 23mm connection male faston 6.3mm ceramic		
For models:	D6, D8		



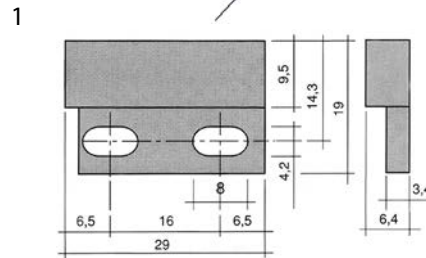
1			
GEV No.	300080	Ref. No.	21558010
description	cam switch 2 operating positions 4NO 16A sequence 0-1 shaft \varnothing 6x4.6mm shaft L 23mm connection screw operation switch ceramic ambient temperature max. 150°C		
accessories for	300080		
	GEV No.	551456	Ref. No. —
	gasket for switch ED \varnothing 14mm ID \varnothing 2.5mm thickness 3.5mm white		



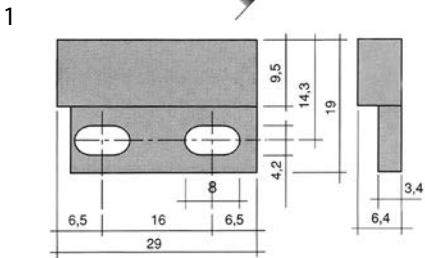
1			
GEV No.	300200	Ref. No.	400372
description	operation switch 2 operating positions 2NO 16A sequence 0-1 shaft \varnothing 6x4.6mm shaft L 23mm connection male faston 6.3mm operation switch ceramic		
For models:	D4		

magnetic switches

29x19mm



1			
GEV No.	345808	Ref. No.	101418 400906
description	magnetic switch L 29mm W 19mm 1CO 150V 0.5A P max. 10W connection cable cable length 1000mm		
For models:	FFE21, FFE31, FFE41, FFE41TWIN, FFE42, FFM21, FFM31, FFM41, FFM41TWIN, FFM42, FFS21, FFS31, FFS41, FFS42		



GEV No.	345217	Ref. No.	400857
description	magnetic switch L 29mm W 19mm 1NO 125V 0.5A P max. 10W connection cable length 2000mm		
For models:	FFE21, FFE31, FFE41, FFE42, FFM31, FFM41, FFM42, FFS21, FFS41, FFS42		



GEV No.	359258	Ref. No.	400771
description	indicator light ø 10mm 230V yellow		
For models:	ECO4, ECO4+4, ECO6, ECO6+6		

30x22mm





GEV No.	359156	Ref. No.	400698
description	indicator light mounting measurements 30x22mm 230V yellow connection male faston 6.3mm temp.-resist. 125/55°C type RL2		
For models:	FT10, FT4, FT4+4, FT6, FT8		

timers

mechanical timers



GEV No.	350049	Ref. No.	400765
description	timer M2 with bell 2-pole operation time 30min impulse mechanical 2NO at 250V 16A permanent position yes shaft ø 6x4.6mm shaft 6x4.6mm shaft L 23mm mounting distance 28mm connection lateral		
For models:	DUOFOUR, SALAMANDER		

accessories for	350049			
	GEV No.	110366	Ref. No.	—
	knob switch zero mark t.max.°C ø 44mm shaft ø 6x4.6mm shaft flat upper black			
	GEV No.	111205	Ref. No.	—
	dial plate graduation 30min permanent position yes rotation 30-300° ø 60mm			

contactors

GENERAL ELECTRIC (AEG)

power contactors



GEV No.	380239	Ref. No.	400796
description	power contactor resistive load 20A 230VAC (AC3/400V) 8.4A/4kW main contacts 3NO auxiliary contacts 1NC connection screw connection type LS05 01A type AEG LS05 01A type GE MC1A 301A		
For models:	FFE21, FFE42, FFM42, FFS21, FFS42, FT10, FT6, FT8		

encoders and potentiometers



GEV No.	400849	Ref. No.	101336
description	encoder KOhm rotation 360° shaft ø 5.9mm shaft L 214mm for fryer thread M10 plug type male faston cable length 300mm		
For models:	FFS21, FFS31, FFS41, FFS42		

lamps

indicator lights

indicator lights (complete)


ø10mm
with plug-in socket



GEV No.	359230	Ref. No.	400543
description	indicator light ø 10mm green 230V connection male faston 2.8mm Qty 1 pcs		
For models:	FF21, FF31, FF41, FF42, FFS18G, FFS21, FFS25G, FFS31, FFS41, FFS42, SIMPLY-S18, SIMPLY-S25		




GEV No.	359231	Ref. No.	400544
description	indicator light ø 10mm yellow 230V connection male faston 2.8mm Qty 1 pcs		
For models:	FF21, FF31, FF41, FF42, FFS18G, FFS21, FFS25G, FFS31, FFS41, FFS42, SIMPLY-S18, SIMPLY-S25		



1

GEV No.	380238	Ref. No.	400796
description	power contactor resistive load 20A 230VAC (AC3/400V) 8.4A/4kW main contacts 3NO auxiliary contacts 1NO connection screw connection type LS0510A type AEG LS0510A type GE MC1A 310A		



1


GEV No.	380261	Ref. No.	400797
description	power contactor resistive load 32A 230VAC (AC3/400V) 17A/7.5kW main contacts 3NO auxiliary contacts 1NO connection screw connection type AEG LS7K 10A type GE CL02A 310		
For models:	FF31, FFE21, FFE31, FFE41, FFE41TWIN, FFE42, FFM21, FFM31, FFM41, FFM41TWIN, FFS21, FFS31, FFS41, FFS42		

relays

power relays

with DIN rail mounting


lateral



1

GEV No.	380376	Ref. No.	400798
description	power relays FINDER 230VAC 30A 1NO connection male faston 6.3mm DIN rail manuf. no. 65.31		
For models:	FFE21, FFE31, FFE41, FFE42, FFM31, FFM41, FFM42, FFS21, FFS31, FFS41, FFS42		

with bracket mounting



1

GEV No.	380185	Ref. No.	400559
description	power relays Italiana Relè 230VAC 30A 1NO connection F6.3 bracket mounting dimensions 36.5x32.2x51.8mm manuf. no. A10-230AC-FA		
For models:	FF21, FF31, FF41, FF42		

with special fixing



1

GEV No.	380186	Ref. No.	04-06 400640
description	power relays 3NO		
For models:	FT6, FT8		

with male contacts

bullet connectors, 8 contacts



1


GEV No.	380134	Ref. No.	400540	
description	power relays Italiana Relè 230VAC 10A 2CO connection plug-in connection round 8-pole manuf. no. C42-230VAC 90.26/ZVE8 250V			
For models:	FF21, FF41, FF42			
accessories for	380134			
	GEV No.	380137	Ref. No.	—
	relay socket 8-pole connection plug-in connection round 8-pole dimensions 65x28x40mm 380V voltage AC 10A Italiana Relè manuf. no. ZVE8			
	GEV No.	380638	Ref. No.	—
	relay socket 8-pole dimensions 51x41x23mm 250V 10A FINDER manuf. no. 90.26			

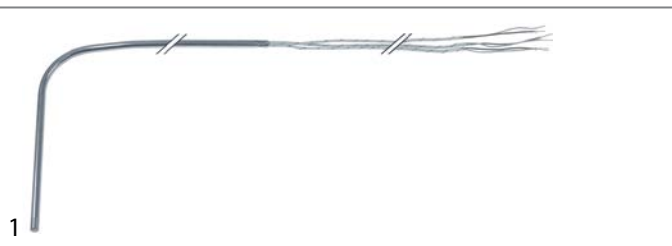


probes


producer-specific probes

probes

			
GEV No.	378311	Ref. No.	214175
description	temperature probe thermocouple K (NiCr-Ni) cable glass fibre probe -50 up to 1150°C cable -50 up to +350°C connection triple thread probe ø5x290mm cable length 1.5m		

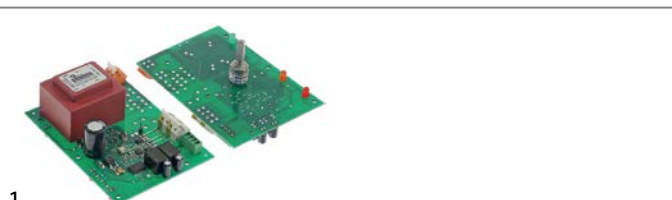
			
GEV No.	379909	Ref. No.	214176 600463 600724
description	temperature probe thermocouple K (NiCr-Ni) cable Vetrotex probe -50 up to 1150°C cable -50 up to +350°C connection 3-wire thread probe ø5x120/300mm cable length 1.5m		
For models:	FFE21, FFE31, FFE41, FFE42, FFM31, FFM41, FFM42		

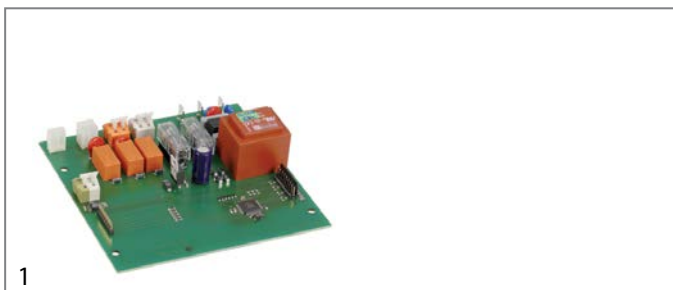
core probes

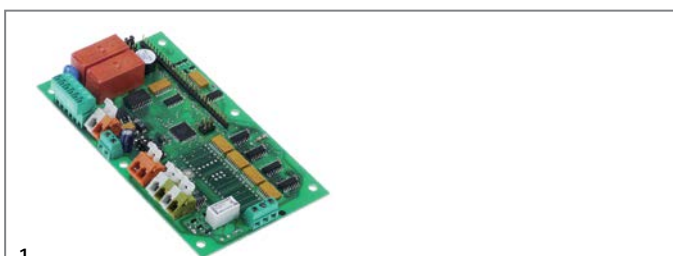
			
GEV No.	379827	Ref. No.	601043
description	temperature probe thermocouple K (NiCr-Ni) cable PTFE probe -40 up to +250°C cable -40 up to +250°C connection 2-wire probe ø5x115/285mm thread cable length 1.5m handle ømm handle length-mm L1 280mm L2 115mm		
For models:	FFE21, FFE31, FFE41, FFE41TWIN, FFE42, FFM21, FFM31, FFM41TWIN, FFS21, FFS31, FFS41, FFS42		

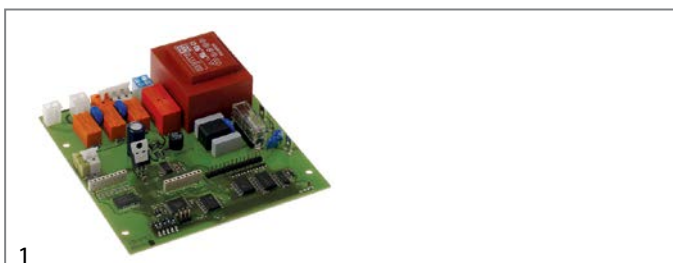
electronics

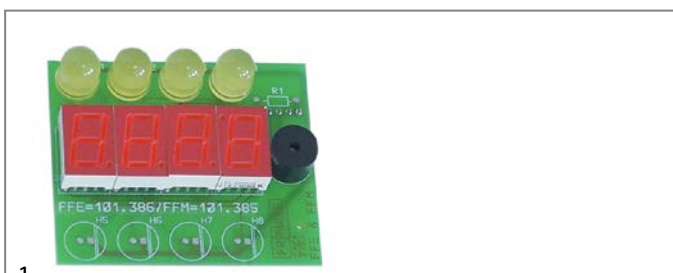
PCBs


			
GEV No.	403538	Ref. No.	101639
description	control PCB EASY / PROFIL L 120mm W 90mm suitable for FRIFRI edition since 2006		
For models:	EASY211, EASY411, EASY422, PROFIL10, PROFIL6, PROFIL6+6, PROFIL8, PROFIL8+8		

			
GEV No.	400844	Ref. No.	101335
description	control PCB for fryer L 125mm W 125mm		
For models:	FFS21, FFS31, FFS41, FFS42		

			
GEV No.	402993	Ref. No.	214113
description	control PCB fryer ELLEGANCE L 140mm W 80mm with display		
For models:	ELEGANCE-M211, ELEGANCE-M311, ELEGANCE-M411, ELEGANCE-M422, ELEGANCE-S211, ELEGANCE-S311, ELEGANCE-S411, ELEGANCE-S422, V05M211, V05M311, V05M411, V05M422		


			
GEV No.	400650	Ref. No.	101406
description	control PCB fryer FFE 21/31/41		
For models:	FFE21, FFE31, FFE41, FFE41TWIN, FFE42, FFM21, FFM31, FFM41TWIN		

			
GEV No.	400638	Ref. No.	101386
description	display for fryer		
For models:	FFE21, FFE31, FFE41, FFE41TWIN, FFE42, FFM21, FFM31, FFM41TWIN		


1

GEV No.	400852	Ref. No.	300917
description	PCB		




1

GEV No.	401619	Ref. No.	300917
description	PCB		
For models:	FFE21, FFE31, FFE41, FFE42, FFM31, FFM41, FFM42		




1

GEV No.	401836	Ref. No.	402022
description	PCB		
For models:	FFE21, FFE31, FFE41, FFE41TWIN, FFE42, FFM21, FFM31, FFM41TWIN, FFS21, FFS31, FFS41, FFS42		



1

GEV No.	403146	Ref. No.	101613
description	PCB fryer 2840/FFSE98 L 126mm W 126mm		




1

GEV No.	400854	Ref. No.	300918
description	power PCB fryer FFE 21/31/41 edition since 1995		
For models:	FFE21, FFE31, FFE41, FFE42, FFM31, FFM41, FFM42		


keypads

front foils




1

GEV No.	400584	Ref. No.	300989
description	keypad foil		
For models:	FFM31		




1

GEV No.	400586	Ref. No.	300990
description	keypad foil		
For models:	FFM41		




1

GEV No.	400609	Ref. No.	300991
description	keypad foil		
For models:	FFM42		




1

GEV No.	400618	Ref. No.	301302
description	keypad foil		
For models:	FFE21, FFM21		




1

GEV No.	400633	Ref. No.	301303
description	keypad foil		
For models:	FFE31, FFM31		




1

GEV No.	400635	Ref. No.	301304
description	keypad foil		
For models:	FFE41		


1

GEV No.	400636	Ref. No.	301305
description	keypad foil		
For models:	FFE42		




1

GEV No.	400855	Ref. No.	300992
description	keypad foil		
For models:	FFE21, FFM31		



1


GEV No.	400856	Ref. No.	300993
description	keypad foil		
For models:	FFE31, FFM41		



1


GEV No.	400858	Ref. No.	300995
description	keypad foil		
For models:	FFE42		

keypad units



1

GEV No.	401695	Ref. No.	211090
description	keypad unit fryer BASIC211-422/BUSINESS211-422 L 140mm W 140mm		
For models:	BASIC211, BASIC311, BASIC411, BASIC422, BUSINESS211, BUSINESS311, BUSINESS411, BUSINESS422, VO3BASIC211, VO3BASIC311, VO3BASIC411, VO3BASIC422, VO3BUSINESS211, VO3BUSINESS311, VO3BUSINESS411, VO3BUSINESS422, VO3COMFORT211, VO3COMFORT311, VO3COMFORT411, VO3COMFORT422		



1

GEV No.	403120	Ref. No.	216191
description	keypad unit fryer EASY PLUS L 93mm W 155mm suitable for FRIFRI mounting pos. buttons 4		

electric accessories


cables

accessories

cable glands

threaded cable glands

screw connections



1

GEV No.	551065	Ref. No.	400848
description	cable gland thread PG7 cable ø 5mm mounting ø 12.5mm Qty 1 plastic WS 15 L 29mm		
For models:	FFE21, FFE31, FFE41, FFE41TWIN, FFE42, FFM21, FFM31, FFM41, FFM41TWIN, FFM42, FFS21, FFS31, FFS41, FFS42		

fastening nuts





Image not available

1

GEV No.	551066	Ref. No.	400849
description	nut thread PG7 plastic mounting ømm Qty 1 cable ømm		
For models:	FFE21, FFE31, FFE41, FFE41TWIN, FFE42, FFM21, FFM31, FFM41, FFM41TWIN, FFM42, FFS21, FFS31, FFS41, FFS42		

terminals

connection terminals with faston connections



1

GEV No.	551064	Ref. No.	401019
description	rail-mounted terminal block 8-pole connection grip connection cross section 2.5mm ²		
For models:	FFE21, FFE31, FFE41, FFE41TWIN, FFE42, FFM21, FFM31, FFM41, FFM41TWIN, FFM42, FFS21, FFS31, FFS41, FFS42		



equipment-specific units

for deep fryers

lids



GEV No.	970808	Ref. No.	300938 301194
description	lid for fryer SS L 323mm W 173mm H 7mm		
For models:	ECO4, ECO4+4		

miscellaneous



GEV No.	694557	Ref. No.	101074
description	guide bar for contol plastic L 79mm W 13mm H 8mm		
For models:	ECO4, ECO4+4, ECO6, ECO6+6		



GEV No.	694341	Ref. No.	101011
description	guide bar L 150mm W 20mm H 5mm		
For models:	FT10, FT4, FT4+4, FT6, FT8, PROFI10, PROFI6, PROFI6+6, PROFI8, PROFI8+8		



GEV No.	694349	Ref. No.	214160 600675
description	hose complete for draining silicone L 1500mm		
For models:	BASIC211, BASIC311, BASIC411, BASIC412, BASIC422, BUSINESS211, BUSINESS311, BUSINESS411, BUSINESS412, BUSINESS422, ELEGANCE-M211, ELEGANCE-M311, ELEGANCE-M411, ELEGANCE-M412, ELEGANCE-M422, ELEGANCE-S211, ELEGANCE-S311, ELEGANCE-S411, ELEGANCE-S412, ELEGANCE-S422, FFE21, FFE31, FFE41, FFE41TWIN, FFE42, FFM21, FFM31, FFM41, FFM41TWIN, FFM42, FFS21, FFS31, FFS41, FFS42, V05M211, V05M311, V05M411, V05M412, V05M422, VO3BASIC211, VO3BASIC311, VO3BASIC411, VO3BASIC412, VO3BASIC422, VO3BUSINESS211, VO3BUSINESS311, VO3BUSINESS411, VO3BUSINESS412, VO3BUSINESS422, VO3COMFORT211...(Other models you can see in the webshop)		



GEV No.	550369	Ref. No.	998999 Polyamid P M6/6,1
description	shim for thermostat		

knobs

universal knobs



GEV No.	110163	Ref. No.	09741069
description	knob switch zero mark ø 42mm shaft ø 6x4.6mm shaft flat left black		
For models:	DUOFOUR, SALAMANDER		

producer-specific knobs

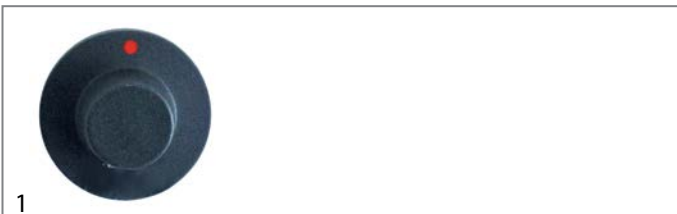
FRIFRI



GEV No.	110881	Ref. No.	09741057
description	knob		
For models:	D4, D6, D8		



GEV No.	110168	Ref. No.	32-09 400545
description	knob ø 40mm		



GEV No.	110879	Ref. No.	400769
description	knob switch zero mark ø 40mm shaft ø 6x4.6mm shaft flat left black		
For models:	ECO4, ECO4+4, ECO6, ECO6+6		



1

GEV No.	110163	Ref. No.	09741069
description	knob switch zero mark ø 42mm shaft ø 6x4.6mm shaft flat left black		
For models:	DUOFOUR, SALAMANDER		



1

GEV No.	110164	Ref. No.	400755
description	knob switch zero mark ø 45mm		
For models:	D4, D6, D8, OPTIMA-E20, OPTIMA-E22, OPTIMA-E30, OPTIMA-E32, OPTIMA-E40, OPTIMA-E42, OPTIMA-E47, OPTIMA-E48		



1

GEV No.	110258	Ref. No.	09741058 32-07
description	knob switch zero mark ø 45mm shaft ø 6x4.6mm shaft flat lower black		



1

GEV No.	110880	Ref. No.	400545
description	knob switch zero mark ø 54mm shaft ø 6x4.6mm shaft flat lower black		
For models:	FF21, FF31, FF41, FF42, FFS18G, FFS21, FFS25G, FFS31, FFS41, FFS42, FT10, FT4, FT4+4, FT6, FT8, SIMPLY-S18, SIMPLY-S25		



1

GEV No.	112884	Ref. No.	400545-1
description	knob switch zero mark t.max.°C ø 50mm shaft ø 6.5mm shaft flat black		

filters

deep fryer filters



1

GEV No.	970782	Ref. No.	101159
description	oil filter W 190mm L 290mm for fryer H 170mm without handle suitable for FRIFRI		
For models:	BASIC311, BASIC411, BASIC412, BUSINESS311, BUSINESS411, BUSINESS412, ELEGANCE-M311, ELEGANCE-M411, ELEGANCE-M412, ELEGANCE-S311, ELEGANCE-S411, ELEGANCE-S412, FFE31, FFE41, FFE41TWIN, FFM31, FFM41, FFM41TWIN, FFS31, FFS41, V05M311, V05M411, V05M412, VO3BASIC311, VO3BASIC411, VO3BASIC412, VO3BUSINESS411, VO3BUSINESS412, VO3COMFORT311, VO3COMFORT411, VO3COMFORT412		



1

GEV No.	970738	Ref. No.	600696
description	oil filter W 225mm L 280mm H 170mm		

equipment feet and end caps

bolting feet



1


GEV No.	692331	Ref. No.	400354
description	equipment foot L 35mm W 35mm H 25mm bore ø 5mm mounting distance 14mm		
For models:	D4, D6, D8, FT10, FT4, FT4+4, FT6, FT8, PROF110, PROF16, PROF16+6, PROF18, PROF18+8		



baskets


fryer baskets

FRIFRI




1

GEV No.	970178	Ref. No.	101010 old version
description	fryer basket L1 250mm W1 130mm H1 100mm chrome-plated steel edition until 12/2006		




1

GEV No.	970179	Ref. No.	300716
description	fryer basket L1 250mm W1 215mm H1 105mm L2 500mm H2 160mm H3 220mm chrome-plated steel		
For models:	D6, FT10, FT6, FT8, PROF10, PROF16, PROF16+6		



1

GEV No.	970176	Ref. No.	300941
description	fryer basket L1 260mm W1 130mm H1 100mm chrome-plated steel		




1

GEV No.	970287	Ref. No.	300941
description	fryer basket L1 260mm W1 140mm H1 100mm L2 220mm H2 165mm H3 190mm chrome-plated steel		
For models:	ECO4, ECO4+4		




1

GEV No.	970763	Ref. No.	101010
description	fryer basket L1 260mm W1 145mm H1 100mm edition since 01/2007		
For models:	D4, D8, FT4, FT4+4, FT8		




1

GEV No.	970288	Ref. No.	300942
description	fryer basket L1 260mm W1 190mm H1 105mm chrome-plated steel		
For models:	ECO6, ECO6+6		




1

GEV No.	970481	Ref. No.	300717
description	fryer basket L1 263mm W1 313mm H1 105mm L2 200mm H2 180mm H3 210mm		
For models:	D8, FT10, FT8, PROF18, PROF18+8		




1


GEV No.	970290	Ref. No.	301093
description	fryer basket L1 275/345mm W1 108mm H1 155mm L2 585mm H2 280mm H3 315mm stainless steel		
For models:	BASIC311, BUSINESS311, ELEGANCE-M311, ELEGANCE-S311, FFE21, FFE31, FFM31, FFS31, V05M311, VO3BASIC311, VO3BUSINESS311, VO3COMFORT311		

			
1			
GEV No.	970289	Ref. No.	100831
description	fryer basket L1 275/345mm W1 140mm H1 155mm L2 585mm H2 280mm H3 315mm stainless steel handle height 310mm		
For models:	BASIC211, BASIC411, BASIC412, BASIC422, BUSINESS211, BUSINESS411, BUSINESS412, BUSINESS422, EASY211, EASY411, EASY422, ELEGANCE-M211, ELEGANCE-M411, ELEGANCE-M412, ELEGANCE-M422, ELEGANCE-S211, ELEGANCE-S411, ELEGANCE-S412, ELEGANCE-S422, FF21, FF41, FF42, FFE21, FFE41, FFE41TWIN, FFE42, FFM21, FFM41, FFM41TWIN, FFM42, FFS21, FFS41, FFS42, V05M211, V05M411, V05M412, V05M422, VO3BASIC211, VO3BASIC411, VO3BASIC412, VO3BASIC422, VO3BUSINESS211, VO3BUSINESS411, VO3BUSINESS412, VO3BUSINESS422, VO3COMFORT211, VO3COMFORT411, VO3COMFORT412, VO3COMFORT422		


			
1			
GEV No.	970180	Ref. No.	600216
description	fryer basket L1 275mm W1 160mm H1 135mm chrome-plated steel		
For models:	OPTIMA-E20, OPTIMA-E22, OPTIMA-E40, OPTIMA-E42, OPTIMA-E47, OPTIMA-E48, OPTIMA-EE20, OPTIMA-EE22, OPTIMA-EE40, OPTIMA-EE42, OPTIMA-EE47, OPTIMA-EE48		

			
1			
GEV No.	970291	Ref. No.	100761
description	fryer basket L1 345mm W1 220mm H1 155mm L2 585mm H2 280mm H3 315mm stainless steel		
For models:	BASIC311, BUSINESS311, ELEGANCE-M311, ELEGANCE-S311, FF31, FFE31, FFM31, FFS31, V05M311, VO3BASIC311, VO3BUSINESS311, VO3COMFORT311		

crumb screens

			
1			
GEV No.	970670	Ref. No.	300820
description	crumb screen L 350mm W 152mm		
For models:	EASY211, EASY422, FF21, FF42, FFE21, FFE42, FFM21, FFM42, FFS21, FFS42		

gaskets
special gaskets

			
1			
GEV No.	550490	Ref. No.	400373
description	gasket for thermostat ED ø 18.5mm ID ø 12.5mm thickness 5.5mm equiv. no. 400373 suitable for FRIFRI		
For models:	D4, D6, D8, FF21, FF31, FF41, FF42, FFS18G, FFS21, FFS25G, FFS31, FFS41, FFS42, FT10, FT4, FT4+4, FT6, FT8, SIMPLY-S18, SIMPLY-S25		

C

cable glands	14
cables	14
cam switches	9
contactors	10
control thermostats	5

E

electric accessories	14
----------------------	----

F

foil heating elements	5
-----------------------	---

H

heating elements	3
heating elements for chip scuttles	3
heating elements for fryers	3
heating elements for salamanders/toasters	4

I

indicator lights	10
indicator lights (complete)	10

L

lamps	10
-------	----

M

magnetic switches	9
mechanical timers	10
microswitches	8

P

probes	12
push/momentary push switches	8

Q

quartz heating elements	4
-------------------------	---

R

relays	11
rocker/momentary rocker switches	8

S

safety thermostats	7
switches and momentary switches	8

T

terminals	14
thermostat gaskets	18
thermostats	5
threaded cable glands	14
timers	10