



GAS COMPONENTS



ELECTRIC COMPONENTS



WATER TECHNOLOGY



MECHANICAL COMPONENTS



TOOLS

Spare parts suitable for

FRICOSMOS S.A.

Find the complete and up-to-date range of products in our GEV Webshop



Manufacturer catalogue

The most important spare parts and accessories arranged clearly for every manufacturer

- ✓ Complete product range and all appliance data always up to date in the GEV Webshop
- ✓ Alphabetical Index at the end of the catalogue

GEV Webshop

www.gev-online.co.uk

www.gev-online.com



- 🔍 Add to Favourites
- 🔍 Sign In with email address and usual password
- 🔍 Easy-order – place several items in your basket at the same time
- 🔍 Quick Item search – no login needed



equipment-specific units

for dishwashers

backflow preventers

backflow preventers



GEV No.	520273	Ref. No.	462202
description	non-return valve brass connection 1/2" IT - 1/2" IT total length 60mm DN15		

hose reels and spray guns

spray guns



GEV No.	542018 ¹	Ref. No.	462854
description	shower hose connections 1/2" L 1500mm SS operating p. 10bar burst p. 90bar t.max. 90°C approval KTW nominal-ø DN10mm rotary with flexible fabric for pre-rinse units		

¹PVC coated

hoses


pre-rinse hoses

stainless steel flexi hoses



GEV No.	542016	Ref. No.	462808
description	shower hose connections 1/2" L 1100mm SS operating p. 10bar burst p. 90bar t.max. 90°C approval KTW nominal-ø DN10mm rotary with flexible fabric for pre-rinse units		


spare parts for 542016


	GEV No.	510901	Ref. No.	—
	O-ring EPDM thickness 2mm ID ø 13mm Qty 1 pcs			



GEV No.	542017	Ref. No.	462852
description	shower hose connections 1/2" L 1200mm SS operating p. 10bar burst p. 90bar t.max. 90°C approval KTW nominal-ø DN10mm rotary with flexible fabric for pre-rinse units		

spare parts for 542017

	GEV No.	510901	Ref. No.	—
	O-ring EPDM thickness 2mm ID ø 13mm Qty 1 pcs			

	GEV No.	542018 ¹	Ref. No.	462854
description	shower hose connections 1/2" L 1500mm SS operating p. 10bar burst p. 90bar t.max. 90°C approval KTW nominal-ø DN10mm rotary with flexible fabric for pre-rinse units			

¹PVC coated

fittings, hose and pipe connectors

fittings

double nipples



GEV No.	520168	Ref. No.	462002
description	double nipple nickel-plated brass thread 1/2" - 1/2" Qty 1 pcs		

angle pieces



GEV No.	541675	Ref. No.	461802
description	angle piece thread 1/2" ET - 1/2" IT brass		

T-pieces

nickel-plated brass


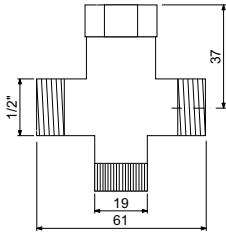


GEV No.	520803	Ref. No.	461602
description	T-piece thread 1/2" ET - 1/2" IT - 1/2" ET nickel-plated brass L 59mm		



valves and tank inlets

mixing valves

1

GEV No.	541475 ¹	Ref. No.	461604
description	mixing valve thread 1/2" W 61mm D 26mm H 69mm		

¹with backflow preventer

water cycle components

non-return valves



1

GEV No.	520273	Ref. No.	462202
description	non-return valve brass connection 1/2" IT - 1/2" IT total length 60mm DN15		

D

double nipples 3

F

fittings 3

H

hoses 3

M

mixing valves 4

N

non-return valves 4

P

pre-rinse hoses 3

S

spray guns 3

stainless steel flexi hoses 3

V

valves and tank inlets 4

W

water cycle components 4