



**GAS COMPONENTS**



**ELECTRIC COMPONENTS**



**WATER TECHNOLOGY**



**MECHANICAL COMPONENTS**



**TOOLS**

Spare parts suitable for

**FUTURMAT**

Find the complete and up-to-date range of products in our GEV Webshop



# Manufacturer catalogue

The most important spare parts and accessories arranged clearly for every manufacturer

- ✓ Complete product range and all appliance data always up to date in the GEV Webshop
- ✓ Alphabetical Index at the end of the catalogue

## GEV Webshop

[www.gev-online.co.uk](http://www.gev-online.co.uk)

[www.gev-online.com](http://www.gev-online.com)







- 🔍 Add to Favourites
- 🔍 Sign In with email address and usual password
- 🔍 Easy-order – place several items in your basket at the same time
- 🔍 Quick Item search – no login needed







# heating elements


## heating elements for coffee machine


			
1			
<b>GEV No.</b>	417116	<b>Ref. No.</b>	N/A
<b>description</b>	heating element 1800W 230V heating circuits 2 mounting $\varnothing$ 42mm hole distance 74mm L 240mm W 36mm H 44mm L1 25mm L2 40mm L3 173mm H1 31mm H2 12mm hole $\varnothing$ 9mm tube $\varnothing$ 8.5mm thermostat sleeves $\varnothing$ 6mm length thermostat sleeves 205mm thermostat sleeve not clinging number of thermostat sleeves 1 connection M4 immersion heater 2 hole flange		

			
1			
<b>GEV No.</b>	417001	<b>Ref. No.</b>	02212439
<b>description</b>	heating element 2600W 230V heating circuits 2 mounting $\varnothing$ 42mm hole distance 74mm L 330mm W 30mm H 60mm L1 23mm L2 65mm L3 202mm H1 30mm H2 30mm hole $\varnothing$ 12mm tube $\varnothing$ 8.5mm thermostat sleeves $\varnothing$ 7mm length thermostat sleeves 195mm thermostat sleeve eccentric, non clinging number of thermostat sleeves 1 connection M6 immersion heater 2 hole flange		
<b>accessories for</b>	417001		
	<b>GEV No.</b>	<b>Ref. No.</b>	N/A
	528002		
	flat gasket PTFE ED $\varnothing$ 57mm ID $\varnothing$ 42mm thickness 3mm Qty 1 pcs equiv. no. 12001/W10470 suitable for		
	<b>GEV No.</b>	<b>Ref. No.</b>	—
	528488		
	flat gasket fibre ED $\varnothing$ 57mm ID $\varnothing$ 42mm thickness 3mm Qty 1 pcs		


			
1			
<b>GEV No.</b>	417008	<b>Ref. No.</b>	N/A
<b>description</b>	heating element 2600W 230V heating circuits 2 mounting $\varnothing$ 42mm hole distance 74mm L 360mm W 26mm H 155mm L1 49mm L2 51mm L3 260mm H1 130mm H2 25mm hole $\varnothing$ 9mm tube $\varnothing$ 8mm connection M4 immersion heater 2 hole flange		
<b>spare parts for</b>	417008		
	<b>GEV No.</b>	<b>Ref. No.</b>	—
	528488		
	flat gasket fibre ED $\varnothing$ 57mm ID $\varnothing$ 42mm thickness 3mm Qty 1 pcs		
<b>accessories for</b>	417008		
	<b>GEV No.</b>	<b>Ref. No.</b>	N/A
	528002		
	flat gasket PTFE ED $\varnothing$ 57mm ID $\varnothing$ 42mm thickness 3mm Qty 1 pcs equiv. no. 12001/W10470 suitable for		

			
1			
<b>GEV No.</b>	417290	<b>Ref. No.</b>	08024804
<b>description</b>	heating element 3000W 230V heating circuits 2 mounting $\varnothing$ 42mm hole distance 74mm L 250mm W 28mm H 65mm L1 20mm L2 40mm L3 190mm H1 30mm H2 35mm hole $\varnothing$ 10mm tube $\varnothing$ 8.3mm thermostat sleeves $\varnothing$ 7mm length thermostat sleeves 210mm number of thermostat sleeves 1 connection M4 immersion heater 2 hole flange		

			
1			
<b>GEV No.</b>	417108	<b>Ref. No.</b>	08148002
<b>description</b>	heating element 3500W 230V heating circuits 2 mounting $\varnothing$ 42mm hole distance 74mm L 380mm W 30mm H 50mm L1 25mm L2 70mm L3 275mm H1 25mm H2 25mm hole $\varnothing$ 10mm tube $\varnothing$ 8.5mm thermostat sleeves $\varnothing$ 7mm length thermostat sleeves 190mm thermostat sleeve not clinging number of thermostat sleeves 1 connection M4 immersion heater 2 hole flange		

			
1			
<b>GEV No.</b>	417105	<b>Ref. No.</b>	02212538
<b>description</b>	heating element 3700W 230V heating circuits 2 mounting $\varnothing$ 42mm hole distance 74mm L 530mm W 28mm H 50mm L1 30mm L2 75mm L3 400mm H1 25mm H2 25mm hole $\varnothing$ 9mm tube $\varnothing$ 8.4mm thermostat sleeves $\varnothing$ 7.5mm length thermostat sleeves 185mm thermostat sleeve eccentric, non clinging number of thermostat sleeves 1 connection M6 immersion heater 2 hole flange suitable for FAEMA		

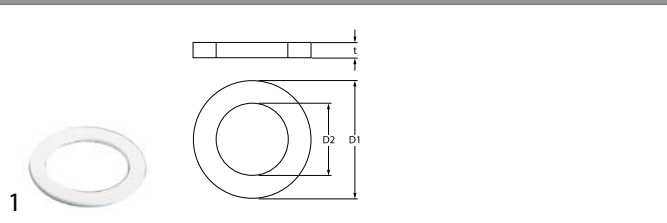
			
1			
<b>GEV No.</b>	417187	<b>Ref. No.</b>	F..13
<b>description</b>	heating element 3700W 230V heating circuits 2 mounting $\varnothing$ 42mm hole distance 74mm L 570mm W 38mm H 48mm L1 25mm L2 60mm L3 485mm H1 26mm H2 12mm hole $\varnothing$ 10mm tube $\varnothing$ 8mm connection M4 immersion heater 2 hole flange		

			
1			
<b>GEV No.</b>	417110	<b>Ref. No.</b>	02212637
<b>description</b>	heating element 5000W 230V heating circuits 2 mounting $\varnothing$ 42mm hole distance 74mm L 525mm W 26mm H 45mm L1 25mm L2 80mm L3 420mm H1 30mm H2 15mm hole $\varnothing$ 10mm tube $\varnothing$ 8.5mm thermostat sleeves $\varnothing$ 7mm length thermostat sleeves 210mm thermostat sleeve eccentric, non clinging number of thermostat sleeves 1 connection M6 immersion heater 2 hole flange windings 2		

### accessories

#### sealing washers

#### PTFE gaskets



<b>GEV No.</b>	528002	<b>Ref. No.</b>	N/A
<b>description</b>	flat gasket PTFE ED $\varnothing$ 57mm ID $\varnothing$ 42mm thickness 3mm Qty 1 pcs equiv. no. 12001/W10470 suitable for		

1 electric components



## thermostats

## bi-metal thermostats

## bi-metal thermostats



1

<b>GEV No.</b>	390319	<b>Ref. No.</b>	08368400
<b>description</b>	bi-metal thermostat hole distance 23.8mm switch-off temp. 80°C 1NC 1-pole 16A connection F6.3 2 hole fixing		

## switches and momentary switches

## microswitches

## pin-plunger actuated



1

<b>GEV No.</b>	345105	<b>Ref. No.</b>	N/A
<b>description</b>	microswitch with plunger 250V 16A 1CO connection male faston 6.3mm L 28mm ambient temperature max. 125°C mounting distance 22mm type SM-51 actuating force: 280g black		

## rotary switches

## accessories

## symbol labels



1

<b>GEV No.</b>	347265	<b>Ref. No.</b>	08283202
<b>description</b>	symbol label 0-1-heating off ø 53mm bore ø 7mm mounting distance 28mm		

## electronics

## PCBs



1

<b>GEV No.</b>	402385	<b>Ref. No.</b>	08264301
<b>description</b>	display L 131mm W 47mm with keypad		

## keypads

## front foils



1

<b>GEV No.</b>	401434	<b>Ref. No.</b>	08109600
<b>description</b>	keypad foil coffee machine Arienne/Arieta 1-2-3-4 gr. L 92mm W 26mm buttons 5		



1

<b>GEV No.</b>	400442	<b>Ref. No.</b>	08274201
<b>description</b>	keypad foil L 80mm W 44mm buttons 5		

## solenoid valves

## solenoid valves (water)

## metal

## PARKER

## spare parts and accessories

## valve bodies



1

<b>GEV No.</b>	370062	<b>Ref. No.</b>	FS03 FS09
----------------	--------	-----------------	--------------

**description** solenoid valve body PARKER 3-ways outer cone

**accessories for** 370062



<b>GEV No.</b>	371029	<b>Ref. No.</b>	—
<b>description</b>	solenoid coil PARKER 230VAC 9VA coil type ZB09 seat ø 14mm H 33mm W 34mm D 43mm		



<b>GEV No.</b>	371030	<b>Ref. No.</b>	—
<b>description</b>	solenoid coil 24VDC 12VA coil type ZB12 seat ø 14mm		



<b>GEV No.</b>	371033	<b>Ref. No.</b>	—
<b>description</b>	solenoid coil PARKER 230VAC 9VA coil type YB09 with cable seat ø 14mm		



<b>GEV No.</b>	371036	<b>Ref. No.</b>	—
<b>description</b>	solenoid coil 24VAC 9VA coil type ZB09 seat ø 14mm		



<b>GEV No.</b>	371095	<b>Ref. No.</b>	—
<b>description</b>	O-ring Viton thickness 1.78mm ID ø 6.07mm Qty 1 pcs		



<b>GEV No.</b>	371100	<b>Ref. No.</b>	—
<b>description</b>	O-ring silicone thickness 1.78mm ID ø 6.07mm Qty 1 pcs		



## flow meters and flow sensors

### flow meters

#### accessories universal



1

<b>GEV No.</b>	400319	<b>Ref. No.</b>	N/A
<b>description</b>	adapter for flow meter		

## pumps

### booster pumps II

#### pump heads

##### FLUID-O-TECH



1

<b>GEV No.</b>	500064	<b>Ref. No.</b>	07822109
<b>description</b>	pump head PO204 FLUID-O-TECH L 82mm 200l/h connection 3/8" GAS with bypass brass clip connection for coffee machine shaft ø 4.8x11mm		

#### accessories for

<b>GEV No.</b>	520126	<b>Ref. No.</b>	—
----------------	--------	-----------------	---



clamp for pump/motor

## equipment-specific units

### for espresso machines

#### filter holders

##### filter holders standard

##### filter holders (complete)



1

<b>GEV No.</b>	531173	<b>Ref. No.</b>	08485800
<b>description</b>	filter holder 1-way suitable for FUTURMAT complete number of wedges 2		



1

<b>GEV No.</b>	531174	<b>Ref. No.</b>	08485900
<b>description</b>	filter holder 2-way suitable for FUTURMAT complete number of wedges 2		

#### filter holders short



1

<b>GEV No.</b>	529124	<b>Ref. No.</b>	N/A
<b>description</b>	filter holder mounting ø 82mm outlet 3/8" ID ø 62mm handle M12x1.75 wedge height 10.5mm wedge position horizontal number of wedges 2 lever straight chrome-plated brass		



1

<b>GEV No.</b>	529150	<b>Ref. No.</b>	N/A
<b>description</b>	filter holder mounting ø 82mm outlet 3/8" ID ø 62mm handle M8x1.25 wedge height 10.5mm wedge position horizontal number of wedges 2 lever straight chrome-plated brass		

#### handles

##### with external thread



1

<b>GEV No.</b>	529121	<b>Ref. No.</b>	N/A
<b>description</b>	handle for filter holder ø 35mm thread M12 thread L 15mm L 125mm black plastic		



1

<b>GEV No.</b>	529116	<b>Ref. No.</b>	N/A
<b>description</b>	handle ø 35mm thread M12x1.75 thread L 15mm L 120mm		

## filters

for 1 cup



1

<b>GEV No.</b>	527631	<b>Ref. No.</b>	N/A
<b>description</b>	coffee filter ø 70mm mounting ø 60.7mm H 17mm cups 1 amount of coffee 8g		

## brewing units

filter holder gaskets

flat

with bevel 45x2



1

<b>GEV No.</b>	528042	<b>Ref. No.</b>	N/A
<b>description</b>	filter holder gasket with bevel 45x2 D1 ø 72mm D2 ø 56mm H 8mm		


## steam/water taps

steam/water taps

steam/water taps



1

<b>GEV No.</b>	529520	<b>Ref. No.</b>	N/A	
<b>description</b>	steam/water tap suitable for FUTURMAT			
<b>spare parts for</b>	529520			
	<b>GEV No.</b>	529251	<b>Ref. No.</b>	—
	O-ring EPDM thickness 2.62mm ID ø 15.08mm Qty 1 pcs			

## components

gaskets



1

<b>GEV No.</b>	528648	<b>Ref. No.</b>	11181302
<b>description</b>	gasket D1 ø 12.2mm thickness 6mm		

## steam/water pipes

steam pipes



1

<b>GEV No.</b>	529521	<b>Ref. No.</b>	N/A
<b>description</b>	steam pipe complete		

## water pipes



1

<b>GEV No.</b>	529586	<b>Ref. No.</b>	N/A
<b>description</b>	water pipe L 130mm		

## fine filters

fine filters



1

<b>GEV No.</b>	529911	<b>Ref. No.</b>	02435808
<b>description</b>	fine filter flat ø 11mm H 0.25mm		

## level glasses

level glasses

level glass pipes



1

<b>GEV No.</b>	529367	<b>Ref. No.</b>	08181703
<b>description</b>	water level tube ø 11mm H 108mm		

## knobs


steam/water taps


steam/water taps




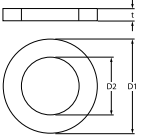
1


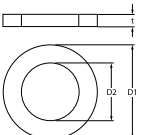
<b>GEV No.</b>	111063	<b>Ref. No.</b>	08185911
<b>description</b>	knob ø 50mm black		


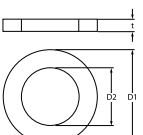
			
1			
<b>GEV No.</b>	111020	<b>Ref. No.</b>	07678709
<b>description</b>	knob zero mark white ø 38mm shaft ø 6x5mm shaft flat on both sides black		

knob dial plates			
			
1			
<b>GEV No.</b>	528760	<b>Ref. No.</b>	08185804
<b>description</b>	knob adapter ø 45mm L 43mm		


## gaskets


O-rings			
EPDM			
 			
1			
<b>GEV No.</b>	529412	<b>Ref. No.</b>	08291007
<b>description</b>	O-ring EPDM thickness 2.62mm ID ø 10.78mm Qty 1 pcs		


Viton			
 			
1			
<b>GEV No.</b>	528647	<b>Ref. No.</b>	02078004
<b>description</b>	O-ring Viton thickness 2.62mm ID ø 15.08mm Qty 1 pcs		

 			
1			
<b>GEV No.</b>	528649	<b>Ref. No.</b>	02476703
<b>description</b>	O-ring Viton thickness 2mm ID ø 6mm Qty 1 pcs		


## sealing washers


copper gaskets			
DIN-7603-C			
			
1			
<b>GEV No.</b>	528520	<b>Ref. No.</b>	02455103
<b>description</b>	gasket copper ED ø 22mm ID ø 16mm thickness 2mm		

PTFE gaskets			
			
1			
<b>GEV No.</b>	528524	<b>Ref. No.</b>	N/A
<b>description</b>	flat gasket PTFE ED ø 36.5mm ID ø 30.5mm thickness 2mm Qty 1 pcs		

			
1			
<b>GEV No.</b>	528002	<b>Ref. No.</b>	N/A
<b>description</b>	flat gasket PTFE ED ø 57mm ID ø 42mm thickness 3mm Qty 1 pcs equiv. no. 12001/W10470 suitable for		


## special gaskets

group gaskets			
			
1			
<b>GEV No.</b>	528115	<b>Ref. No.</b>	N/A
<b>description</b>	group gasket L 79mm W 72mm thickness 2mm hole distance 55mm suitable for FAEMA/FUTURMAT fibre		

			
1			
<b>GEV No.</b>	528113	<b>Ref. No.</b>	N/A
<b>description</b>	group gasket L 80mm W 23mm thickness 2mm suitable for FAEMA/FUTURMAT		


## springs

### compression springs



1


<b>GEV No.</b>	528758	<b>Ref. No.</b>	08018707
<b>description</b>	compression spring ø 29.6mm L 28mm wire gauge ø 1.5mm		



1


<b>GEV No.</b>	528668	<b>Ref. No.</b>	07507304
<b>description</b>	compression spring ø 6.9mm L 28mm wire gauge ø 1mm		

## manometers



1

<b>GEV No.</b>	541713	<b>Ref. No.</b>	08130600
<b>description</b>	manometer double scale ø 60mm pressure range 0-2.5 / 0-16bar connection on the backside thread 1/8"		



1

<b>GEV No.</b>	541281	<b>Ref. No.</b>	N/A
<b>description</b>	manometer ø 53mm pressure range 0 up to 20bar thread 1/4" connection on the backside		



**B**

bi-metal thermostats	4, 4
booster pumps II	5

**F**

flow meters	5
-------------	---

**H**

heating elements	3
heating elements for coffee machine	3

**M**

microswitches	4
---------------	---

**O**

O-rings	7
---------	---

**P**

pumps	5
-------	---

**R**

rotary switches	4
-----------------	---

**S**

sealing washers	7
solenoid valves	4
switches and momentary switches	4

**T**

thermostats	4
-------------	---