



GAS COMPONENTS



ELECTRIC COMPONENTS



WATER TECHNOLOGY



MECHANICAL COMPONENTS



TOOLS

Spare parts suitable for

GAM

Find the complete and up-to-date range of products in our GEV Webshop



Manufacturer catalogue

The most important spare parts and accessories arranged clearly for every manufacturer

- ✓ Complete product range and all appliance data always up to date in the GEV Webshop
- ✓ Alphabetical Index at the end of the catalogue

GEV Webshop

www.gev-online.co.uk

www.gev-online.com

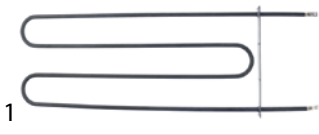


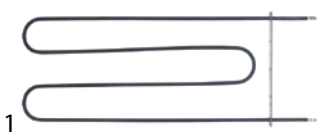
- 🔍 Add to Favourites
- 🔍 Sign In with email address and usual password
- 🔍 Easy-order – place several items in your basket at the same time
- 🔍 Quick Item search – no login needed



heating elements

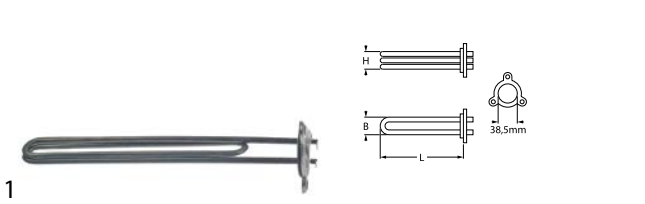

heating elements for pizza ovens

			
GEV No.	419168	Ref. No.	RG100411
description	heating element 1000W 230V L 498mm W 195mm flange length 215mm flange width 24mm hole distance 69/17mm connection length 120mm connection M5 tube ø 8.5mm heating circuits 1 rectangular flange hole ø 5mm dry heating element pizza oven		

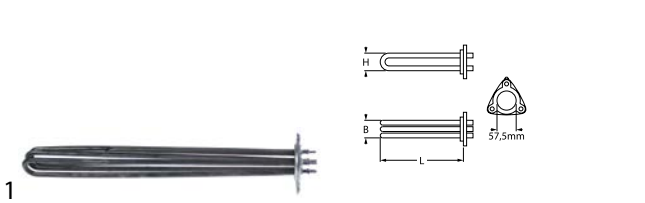

			
GEV No.	420259	Ref. No.	RFORS4635 RG101280
description	heating element 1100W 230V L 600mm W 250mm flange length 270mm flange width 25mm hole distance 65mm connection length 110mm connection M4 tube ø 8.5mm heating circuits 1 rectangular flange hole ø 5mm dry heating element for pizza oven		

immersion heating elements

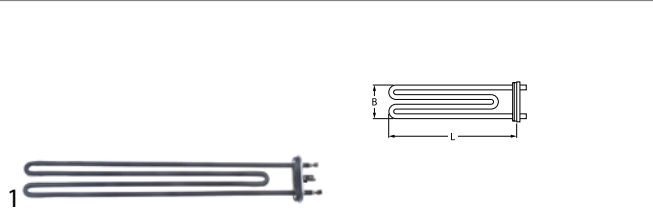
3 hole flange ø38.5mm

			
GEV No.	420278	Ref. No.	KR103420
description	heating element 3000W 240V mounting ø 38.5mm heating circuits 1 L 310mm W 34mm H 19mm tube ø 6.25mm hole distance 58mm hole ø 10mm 3 hole flange connection male faston 6.3mm immersion heater		
accessories for	420278		
		GEV No.	521120
		Ref. No.	—
	O-ring EPDM thickness 5.34mm ID ø 37.47mm Qty 1 pcs		

3 hole flange ø57.5mm

			
GEV No.	418830	Ref. No.	KR103435+KR103432
description	heating element 6000W 230V mounting ø 57.5mm heating circuits 3 L 440mm W 37mm H 41mm number of thermostat sleeves 1 thermostat sleeves ø 7.5mm length thermostat sleeves 290mm thermostat sleeve eccentric, non clinging tube ø 8.5mm hole distance 72mm hole ø 8mm connection M4		
accessories for	418830		
		GEV No.	529460
		Ref. No.	KR103435
	O-ring EPDM thickness 5.34mm ID ø 59.69mm Qty 1 pcs		


with compression flange 62 x 26mm


			
GEV No.	420045	Ref. No.	103408 KR103408
description	heating element 3000W 240V heating circuits 1 expansion flange flange 62x26mm L 350mm W 45mm connection male faston 6.3mm vertical tube ø 6.3mm immersion heater		

thermostats


bi-metal thermostats

safety bi-metal thermostats

			
GEV No.	390717	Ref. No.	KR103347
description	bi-metal safety thermostat hole distance 23.8mm switch-off temp. 110°C 1NC 1-pole 16A 250V connection F6.3 2 hole fixing mounting ø 18.3mm		

			
GEV No.	390684	Ref. No.	PR30517
description	bi-metal safety thermostat hole distance 24mm switch-off temp. 100°C 1NC 1-pole 10A connection F6.3 2 hole fixing		

bi-metal thermostats

			
GEV No.	390680	Ref. No.	PR30518
description	bi-metal thermostat hole distance 23.8mm switch-off temp. 65°C 1NC 1-pole 16A connection F6.3 2 hole fixing		

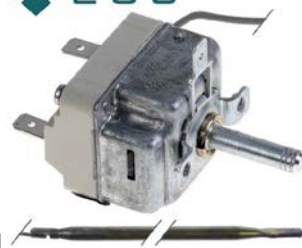


control and safety thermostats

EGO

control thermostats

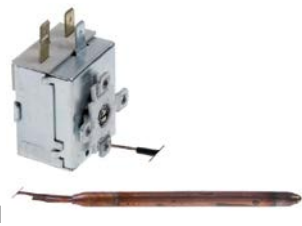
55.10/19_ series



GEV No.	375253	Ref. No.	RFORM30 RG100417
description	thermostat t.max. 455°C temperature range 85-455°C 1-pole 1NO 16A probe ø 3.9mm probe L 228mm capillary pipe 870mm capillary pipe isolated 660mm gland nut shaft ø 6x4.6mm shaft L 23mm shaft position upper rotation 270°		

IMIT / TEMPOMATIC / ARTERMO

control thermostats



GEV No.	375992	Ref. No.	KR103345
description	thermostat t.max. 90°C temperature range 0-90°C 1-pole 1CO 15A probe ø 6.5mm probe L 100mm capillary pipe 3000mm capillary pipe isolated 3000mm gland nut shaft Lmm rotation 270°		

push/momentary push switches

34.1x23.1mm



GEV No.	347312	Ref. No.	PR30423R
description	push switch mounting measurements 34.1x23.1mm red 2NO 250V 16A connection male faston 6.3mm 0-1 protection IP40 ambient temperature max. 85°C		

ø22mm



GEV No.	346181	Ref. No.	RIMPS1051
description	push button mounting ø 21mm external size 30x55mm oval		
accessories for	346181		
GEV No.	301058	Ref. No.	—
description	protective cover internal size 30x55mm		
GEV No.	301127	Ref. No.	—
description	protective cover internal size 30x55mm transparent		

overload switches



GEV No.	347067	Ref. No.	RSTER30_26
description	push switch KJD17 mounting measurements 45x22mm black/white 2NO/A1 250V 10A I O connection male faston 4.8mm/6.3mm ambient temperature max. 85°C protection IP54 with cover cap		

microswitches

lever actuated



GEV No.	346232	Ref. No.	KR103540K
description	microswitch with lever and magnet 250V 16A 1CO connection male faston 6.3mm L 38mm ambient temperature max. 125°C mounting distance 22mm type VRSRBPDA1 actuating force: 30g lever length 29mm		

switches and momentary switches

rocker/momentary rocker switches

30x22mm

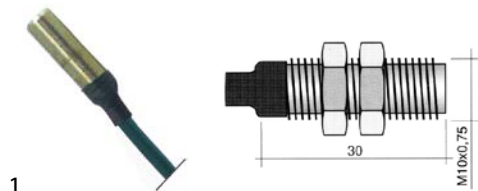



GEV No.	301712	Ref. No.	60433
description	rocker switch mounting measurements 30x22mm red/green 1NO/1NC 230V 16A connection male faston 6.3mm ambient temperature max. 85°C protection IP40		



magnetic switches

M10x0.75



GEV No.	345632	Ref. No.	RTVE13
description	magnetic switch thread M10x0.75 1NO 250V 0.5A P max. 50W connection cable length 2000mm type 102		
accessories for	345632		
	GEV No.	100779	Ref. No. —
	nut thread M10x0.75 H 3mm WS 14 SS Qty 2 pcs		

accessories

magnets



GEV No.	347521	Ref. No.	RG100003 RTVE02
description	magnet ø 14mm H 4mm		



GEV No.	347200	Ref. No.	KR1225
description	magnet ømm L 63mm H 7.3mm W 19mm hole distance 52.5mm M2 hole ø 2.25mm		


lamps

oven lamps

universal oven lamps

mounting diameter 47.8mm




GEV No.	359711	Ref. No.	644 RFORM04 RGA00074
description	oven lamp mounting ø 47.8mm 230V 25W socket E14 temp.-resist. 300°C connection male faston 6.3mm hard glas		
spare parts for	359711		
	GEV No.	359612	Ref. No. —
	light bulb t.max. 300°C socket E14 25W 230V ø 25mm L 56mm lens L 30mm for oven lamp type Philips		

spare parts for	359711		
	GEV No.	359725	Ref. No. —
	oven lamp glass thread ø 44mm H 43mm ø 54mm hard glas temp.-resist. 350°C		

55x70mm



GEV No.	357171	Ref. No.	RG101233
description	oven lamp complete mounting measurements 55x70mm 230V 25W socket G9 connection male faston 6.3mm L 70mm W 55mm		
spare parts for	357171		
	GEV No.	359945	Ref. No. —
	halogen lamp socket G9 230V 25W temp.-resist. 300°C		

timers

programme timers



GEV No.	360576	Ref. No.	KR103530
description	timer FIBER P25 engines 2 chambers 5 operation time 15s / 2min 230V 50/60Hz shaft ømm shaft Lmm manuf. no. P255J05MEV6 motor type M51BJ0L0000/M51BJ0R0000 voltage AC		

electronics

PCBs



GEV No.	692027	Ref. No.	5310000
description	PCB dough rolling machine STP30/40 new edition 230V		



central units



1

GEV No.	699005	Ref. No.	RG100035 RGA00003 RTVE32 Steuerplatine
description	control box 230V A2-A2L		

pressure switches

for warewashing

ø 58mm with male faston 6.3mm

with connection horizontal



1

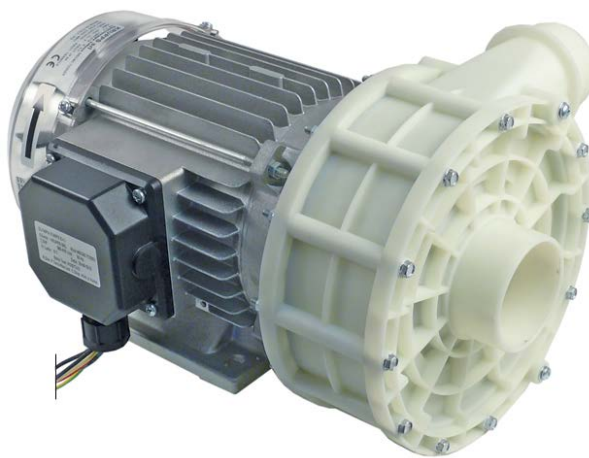
GEV No.	541045	Ref. No.	KR103383
description	pressure control pressure range 28/12mbar connection 6mm ø 58mm pressure connection horizontal warewashing		

pumps






wash and rinse pumps

OLYMPIA

pumps



1

GEV No.	499290	Ref. No.	KR6800	
description	pump inlet ø 63mm outlet ø 51mm type MEC80.T220SX 380-415V 50Hz 3 phase 1.64kW 2.2HP L 330mm rotation direction right OLYMPIA			
spare parts for	499290			
	GEV No.	510693	Ref. No.	—
	mechanical shaft seal for shaft ø 12mm slide ring ext. ø 24mm slide ring H 15.5mm slide ring int. ø 11mm counter ring mounting ø 24mm height counter ring 8mm counter ring int. ø 13.5mm			
	GEV No.	517650	Ref. No.	—
	impellor ø 107mm H 31mm pump type MEC80.T220SX shaft intake ø 12mm rotation direction right thread M8L blades 6			
	GEV No.	521152	Ref. No.	—
	pump cover OLYMPIA inlet 62 ø 190mm			
	GEV No.	521153	Ref. No.	—
	pump casing OLYMPIA outlet ø 52mm			
	GEV No.	521154	Ref. No.	—
	O-ring ID ø 152.7mm thickness 2.62mm EPDM Qty 1 pcs			

gas nozzles

main nozzles


gas nozzles M6x0.75



1

GEV No.	104781	Ref. No.	40413000
description	gas injector thread M6x0.75 WS 7 bore ø 1.3mm		



			
1			
GEV No.	104778	Ref. No.	40414500
description	gas injector thread M6x0.75 WS 7 bore ø 1.45mm		

equipment-specific units

for meat mincers

grinder plates

ENTERPRISE

with 2 notches

with hub

			
1			
GEV No.	696114	Ref. No.	PIA12I4,5
description	grinder plate type ENTERPRISE size 12 hole ø 4.5mm with hub grooves 2 stainless steel ø 70mm		


for cutters

lids

			
1			
GEV No.	691247	Ref. No.	52V2
description	lid for cutter ø 225mm ID ø 204mm plastic C4-C6 edition until 08/2003		


for vegetable slicers

ejector discs

			
1			
GEV No.	697292	Ref. No.	ATVDIPLAESB
description	ejector disc flat H 6mm ø 200mm seat ø 20.3mm shaft diameter 52mm hole distance 40mm		

			
1			
GEV No.	697291	Ref. No.	ATVDIPLAESA
description	ejector disc high H 28mm ø 200mm seat ø 20.3mm hole distance 40mm		



grating discs


			
1			
GEV No.	697838	Ref. No.	Reibescheibe Z3
description	grating disc ø 205mm seat ø 19mm slicing thickness 3mm SS/plastic		

cutting discs

blades smooth

blades

				
1				
GEV No.	697418	Ref. No.	ATVDILEL	
description	spare blades for cutting disc E			
accessories for	697418			
	GEV No.	697301	Ref. No.	E2
	 slicing disk type E2 ø 206mm seat ø 19mm slicing thickness 2mm plastic			

			
1			
GEV No.	696172	Ref. No.	ATVDILX
description	spare blades for slicing disc for X1-8		

cutting discs




1

GEV No.	698334	Ref. No.	ATVDIX VARIO X1-8
description	slicing disk ø 205mm seat ø 19mm adjustable slicing thickness 1-8mm		



1

GEV No.	697301	Ref. No.	E2
description	slicing disk type E2 ø 206mm seat ø 19mm slicing thickness 2mm plastic		
spare parts for	697301		
	GEV No.	697418	Ref. No. ATVDILEL
spare blades for cutting disc E			



1

GEV No.	697297	Ref. No.	E3
description	slicing disk type E3 ø 206mm seat ø 19mm slicing thickness 3mm plastic		

for dough mixers

drive shafts



1

GEV No.	697288	Ref. No.	RG100804 RIMPS30E19
description	drive shaft D1 ø 55mm for dough hook ø 25mm L 153mm S30-S40		

flange bearings



1

GEV No.	698791	Ref. No.	RG101480 + RG101481 RGA00273
description	coupling shaft ø 25mm ED ø 78.4mm W 80mm plastic		

dough hooks

with mounting groove



1

GEV No.	697306	Ref. No.	RIMPA203014
description	dough hook shaft ø 20mm usable height 275mm A20 / A30		

miscellaneous



1

GEV No.	697289	Ref. No.	RIMPS30E07
description	locking spring for dough hook S30-S40		

for dough roller

rollers




1


GEV No.	693682	Ref. No.	RSR46_40
description	roller for dough roller L 218mm ø 48mm mounting pos. upper at the back		



			
1			
GEV No.	693683	Ref. No.	RSR50_40
description	roller for dough roller L 218mm ø 48mm mounting pos. upper in the front		

			
1			
GEV No.	693676	Ref. No.	RSR30_30
description	roller for dough roller L 308mm ø 49mm mounting pos. bottom in the front		

			
1			
GEV No.	693677	Ref. No.	RSR29_40
description	roller for dough roller L 408mm ø 49mm mounting pos. bottom at the back		


			
1			
GEV No.	693659	Ref. No.	RSR30_40
description	roller for dough roller L 408mm ø 49mm mounting pos. bottom in the front		

couplings


			
1			
GEV No.	693661	Ref. No.	RSR33_40/40P RSR35
description	coupling set ø 42mm ID ø 26mm H 23mm		

pinions


rear mounting


			
1			
GEV No.	693664	Ref. No.	RSR43_30/40/40P
description	pinion ø 47mm H 33.5mm mounting pos. rear ID ø 25mm for dough roller		


front mounting


			
1			
GEV No.	693662	Ref. No.	RSR36_30/40/40P
description	pinion ø 47mm H 33.5mm mounting pos. front ID ø 14mm for dough roller		

side parts

			
1			
GEV No.	693665	Ref. No.	RSTER30_42
description	side panel for dough roller mounting pos. bottom right W 40mm L 125mm H 100mm L30-B30-L40-B40		

			
1			
GEV No.	693679	Ref. No.	RSTER30_48
description	side panel for dough roller mounting pos. upper right W 40mm L 125mm H 100mm L30-B30-L40-B40		

			
1			
GEV No.	693669	Ref. No.	RSTER30_28
description	side panel for dough roller mounting pos. bottom left W 25mm L 122mm H 80mm L30-B30-L40-B40		

			
1			
GEV No.	693678	Ref. No.	RSTER30_45
description	side panel for dough roller mounting pos. upper left W 25mm L 115mm H 80mm L30-B30-L40-B40		

for convection ovens/combi-steamers

glass panels



1

GEV No.	693100	Ref. No.	Vetro 250x100x5 No.40
description	glass panel L 250mm W 100mm thickness 5mm rectangular		

for pizza ovens

firebricks



1

GEV No.	850114	Ref. No.	RG100510
description	firebrick L 696mm W 348mm H 17mm delivery freight forwarding company only		

for dishwashers

containers

salt tanks



1

GEV No.	517797	Ref. No.	KR3500
description	salt tank for dishwasher		

air traps

air traps



1

GEV No.	510343	Ref. No.	KR3280
description	air trap L 140mm ø 33mm plastic		

washing and rinsing systems



1

GEV No.	524939	Ref. No.	PR20017
description	nut for wash arm support ø 56mm ID ø 29mm H 23.5mm		



1

GEV No.	524938	Ref. No.	PR20016
description	sealing ring for wash arm support plastic ø 42mm ID ø 37mm thickness 2.2mm		



1

GEV No.	524940	Ref. No.	PR20135P
description	sealing ring for wash arm support plastic ø 68mm ID ø 39mm thickness 9mm		

handles and hand wheels

mushroom cap handles



1

GEV No.	111782	Ref. No.	RG101390
description	mushroom cap handle thread M6 handle ø 25mm L 17mm plastic black		

bracket handles




1

GEV No.	691327	Ref. No.	6333010
description	pull handle L 119mm H 37mm mounting distance 105mm handle M6		




hinges

oven hinges







1

GEV No.	701482	Ref. No.	RG108455
description	counterpart mounting distance 90mm L 112mm mounting pos. left/right W 10mm		




1

GEV No.	700623	Ref. No.	RFORM17	
description	oven hinge mounting distance 154mm lever length 91mm groove distance 14mm spring thickness 3mm mounting pos. left/right zinc-coated steel			
accessories for	700623			
	GEV No.	700628	Ref. No.	—
	opposite support right oven hinge			
	GEV No.	700629	Ref. No.	—
	opposite support mounting distance 75mm L 95mm W 26mm left H 46mm M5 cut-out 10X30mm oven hinge			
	GEV No.	700841	Ref. No.	—
	opposite support mounting distance 85mm L 107mm W 12.5mm for hinge			



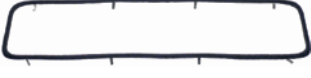
1

GEV No.	701481	Ref. No.	RG101320	
description	oven hinge mounting distance 208mm lever length 119mm groove distance 8mm spring thickness 3.5mm mounting ear position spring length 103mm L 215mm mounting pos. left/right W 25mm stainless steel Qty 1 pcs			
accessories for	701481			
	GEV No.	701482	Ref. No.	RG108455
	counterpart mounting distance 90mm L 112mm mounting pos. left/right W 10mm			

gaskets

gaskets for heated units

door seals with fixing hook


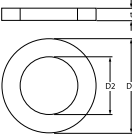


1

GEV No.	901368	Ref. No.	RG100506
description	door seal L 725mm W 210mm with mounting clips suitable for GAM		


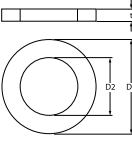
O-rings

EPDM


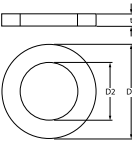
1

GEV No.	528632	Ref. No.	PR18025
description	O-ring EPDM thickness 3.53mm ID \varnothing 44.04mm Qty 1 pcs		

1

GEV No.	532577	Ref. No.	KR103415
description	O-ring EPDM thickness 5.34mm ID \varnothing 40.65mm Qty 1 pcs		

1

GEV No.	529460	Ref. No.	KR103435
description	O-ring EPDM thickness 5.34mm ID \varnothing 59.69mm Qty 1 pcs		

transmission technology and ball bearings


ball bearings

deep-groove ball bearings 2RS




1

GEV No.	523512	Ref. No.	RG101182 RIMPA203006 RIMPA203006A
description	deep-groove ball bearing type 6204-2RS shaft \varnothing 20mm ED \varnothing 47mm W 14mm with sealing discs deep-groove ball bearing DIN 625-1		

			
1			
GEV No.	523513	Ref. No.	RG100876
description	deep-groove ball bearing type 6205-2RS shaft \varnothing 25mm ED \varnothing 52mm W 15mm with sealing discs deep-groove ball bearing DIN 625-1		

			
1			
GEV No.	523524	Ref. No.	RG100829
description	deep-groove ball bearing type 6206-2RS shaft \varnothing 30mm ED \varnothing 62mm W 16mm with sealing discs deep-groove ball bearing DIN 625-1		

			
1			
GEV No.	523517	Ref. No.	RIMPS4032
description	deep-groove ball bearing type 6304-2RS shaft \varnothing 20mm ED \varnothing 52mm W 15mm with sealing discs deep-groove ball bearing DIN 625-1		


			
1			
GEV No.	523518	Ref. No.	Rimpa405006 Rimpa405006A
description	deep-groove ball bearing type 6305-2RS shaft \varnothing 25mm ED \varnothing 62mm W 17mm with sealing discs deep-groove ball bearing DIN 625-1		


deep-groove ball bearings 2Z

			
1			
GEV No.	523030	Ref. No.	RG100823
description	deep-groove ball bearing shaft \varnothing 30mm ED \varnothing 62mm W 16mm type 6206-2Z DIN 625-1		

drive belts

poly-v belts

			
1			
GEV No.	698220	Ref. No.	81481
description	poly-v belt grooves 10 W 20mm L 380mm profile TB2		

			
1			
GEV No.	698223	Ref. No.	Pos.108
description	poly-v belt grooves 6 W 12mm L 660mm profile TB2		




dosing pumps

peristaltic dosing pumps








BORES

built-in version

without control


				
1				
GEV No.	361743	Ref. No.	PR30683	
description	dosing pump BORES 0.4l/h 230VAC rinse aid hose \varnothing 4x6mm hose type silicone type PB0.2P			
accessories for	361743			
	GEV No.	361144	Ref. No.	—
	mounting set rinse aid hose type 4x6mm hose length 2m PVC/nylon hose container filter/non-return valve transparent			
	GEV No.	361291	Ref. No.	—
	pump hose PROTHO/MYBO rinse aid hose \varnothing 2x6mm hose type silicone			



GEV No.	361280	Ref. No.	PR30673
description	dosing pump BORES without control 1.5l/h 230VAC detergent hose ø 4x6mm hose type Santoprene type Protho built-in version CODE PD1.5		
spare parts for	361280		
	GEV No.	361232	Ref. No. —
	roller assembly detergent hose type Santoprene pump type PROTHO/MYBO		
	GEV No.	361234	Ref. No. —
	cover pump type PROTHO/MYBO hose type		
	GEV No.	361290	Ref. No. —
	pump hose PROTHO/MYBO detergent hose ø 7x10mm hose type Santoprene		
	GEV No.	361409	Ref. No. —
	pump head pump type PROTHO/MYBO hose type Santoprene detergent hose ø 7x10mm		
accessories for	361280		
	GEV No.	361142	Ref. No. —
	mounting set detergent hose type 4x6mm hose length 2m PVC 2x hose/container filter/tank intake transparent		
	GEV No.	520090	Ref. No. —
	PVC hose ID ø 4mm ED ø 6mm L 2m thickness 1mm t.max. 60°C transparent		
	GEV No.	520091	Ref. No. —
	nylon hose ID ø 4mm ED ø 6mm L 2m thickness 1mm operating p. 10bar burst p. 50bar t.max. 100°C transparent		

SEKO
built-in version
with frequency control



GEV No.	361791 ¹	Ref. No.	KR1210
description	dosing pump SEKO frequency control 3l/h 230VAC detergent hose ø 4x6mm hose type K hose Santoprene suction level 1.5m type NBR 3		
spare parts for	361791		
	GEV No.	361815	Ref. No. —
	pump hose detergent hose ø 6x10mm hose ø 4x6mm hose type K hose Santoprene type SEKO		

¹with accessories







hoses

industrial hoses

PVC hoses

PVC hoses without fabric



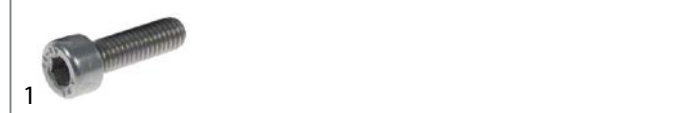
GEV No.	520026	Ref. No.	1410
description	PVC hose ID ø 4mm ED ø 6mm L 10m thickness 1mm t.max. 60°C transparent		
accessories for	520026		
	GEV No.	361058	Ref. No. —
	container filter with non-return valve SS hose ø 4x6mm ø 20mm L 56mm		
	GEV No.	361066	Ref. No. —
	container filter straight SS hose ø 4x6mm L 37mm non return valve ball valve		
	GEV No.	361106	Ref. No. —
	container filter with weight and non-return valve SS hose ø 4x6mm ø 21mm L 51mm non return valve lip valve		
	GEV No.	361141	Ref. No. —
	container filter with weight ceramic hose ø 4mm		
	GEV No.	361230	Ref. No. —
	container filter with weight stainless steel hose ø 4x6mm		
	GEV No.	361462	Ref. No. —
	container filter with weight SS hose ø 4x6mm		
	GEV No.	361728	Ref. No. —
	container filter with 4m 4x6 hose SS hose ø 4x6mm hose length 4000mm		

fastening material

screws

cylinder head bolts

DIN 912/ISO 4762



GEV No.	560591	Ref. No.	IX2912005016
description	cylinder head bolt thread M5 thread L 16mm WS 4 SS Qty 1 pcs intake internal hexagon DIN 912/ISO 4762		

knurled screws



1

GEV No.	560409	Ref. No.	104040
description	Thumb screw thread M7 thread L 7mm ø 25mm H 5mm SS		

B			
bi-metal thermostats	3, 3		
C			
control thermostats	4, 4		
cylinder head bolts	13		
D			
door seals with fixing hook	11		
dosing pumps	12		
F			
fastening material	13		
G			
gas nozzles	6		
gaskets for heated units	11		
H			
heating elements	3		
heating elements for pizza ovens	3		
hoses	13		
I			
immersion heating elements	3		
industrial hoses	13		
K			
knurled screws	14		
L			
lamps	5		
M			
magnetic switches	5		
microswitches	4		
O			
O-rings	11		
oven hinges	11		
oven lamps	5		
P			
pressure switches	6		
programme timers	5		
pumps	6		
push/momentary push switches	4		
PVC hoses	13		
R			
rocker/momentary rocker switches	4		
S			
safety bi-metal thermostats	3		
screws	13		
switches and momentary switches	4		
T			
thermostats	3		
timers	5		
W			
wash and rinse pumps	6		