



**GAS COMPONENTS**



**ELECTRIC COMPONENTS**



**WATER TECHNOLOGY**



**MECHANICAL COMPONENTS**



**TOOLS**

Spare parts suitable for

**GALANZ**

Find the complete and up-to-date range of products in our GEV Webshop



# Manufacturer catalogue

The most important spare parts and accessories arranged clearly for every manufacturer

- ✓ Complete product range and all appliance data always up to date in the GEV Webshop
- ✓ Alphabetical Index at the end of the catalogue

## GEV Webshop

[www.gev-online.co.uk](http://www.gev-online.co.uk)

[www.gev-online.com](http://www.gev-online.com)




- 🔍 Add to Favourites
- 🔍 Sign In with email address and usual password
- 🔍 Easy-order – place several items in your basket at the same time
- 🔍 Quick Item search – no login needed





## thermostats

### bi-metal thermostats

#### bi-metal thermostats

|   |   |                 |  |
|---|---|-----------------|--|
|  |   |                 |  |
| 1   |   |                 |  |
| <b>GEV No.</b>  | 390869  | <b>Ref. No.</b> | 253099000143<br>GMW1025-C19<br>P100M25ASL-H4-C19<br>SEE250H4H-SABCOG-C19 |
| <b>description</b>  | bi-metal thermostat hole distance 23.5mm switch-off temp. 140°C 1NC 1-pole 10A 250V connection F4.8 Qty 1 pcs |                 |  |


|   |   |                 |  |
|---|---|-----------------|--|
|  |   |                 |  |
| 1   |   |                 |  |
| <b>GEV No.</b>  | 390867  | <b>Ref. No.</b> | 253099000224<br>GMW1025-C07<br>GMW1030-C07<br>P100M25ASL-H4-C07<br>P180M30ASL-YL-C07<br>SEE250H4H-SABCOG-C07<br>SEE30FYLH-SABCOG-C07 |
| <b>description</b>  | bi-metal thermostat hole distance 23.5mm switch-off temp. 180°C 1NC 1-pole 10A 250V connection F4.8 Qty 1 pcs |                 |  |


|   |   |                 |  |
|---|---|-----------------|--|
|  |   |                 |  |
| 1   |   |                 |  |
| <b>GEV No.</b>  | 390868  | <b>Ref. No.</b> | 253099000172<br>GMW1030-C19<br>P180M30ASL-YL-C19<br>SEE30FYLH-SABCOG-C19 |
| <b>description</b>  | bi-metal thermostat hole distance 23.5mm switch-off temp. 180°C 1NC 1-pole 10A 250V connection F4.8 Qty 1 pcs |                 |  |

## switches and momentary switches





### microswitches


#### pin-plunger actuated

|   |   |                 |  |
|---|---|-----------------|--|
|  |   |                 |  |
| 1   |   |                 |  |
| <b>GEV No.</b>  | 347799  | <b>Ref. No.</b> | 253039000003<br>GMW1025-C09<br>GMW1030-C09<br>P100M25ASL-H4-C09<br>P180M30ASL-YL-C09<br>SEE250H4H-SABCOG-C09<br>SEE30FYLH-SABCOG-C09<br>W-15-102-C |
| <b>description</b>  | microswitch with plunger 250V 15A 1CO connection male faston 4.8mm ambient temperature max. 105°C mounting distance 22mm type W-15-102C actuating force: 180g white |                 |  |

|   |  |                 |  |
|---|--|-----------------|--|
|  |  |                 |  |
| 1   |  |                 |  |
| <b>GEV No.</b>  | 347798   | <b>Ref. No.</b> | 253039000010<br>GMW1025-C10<br>GMW1025-C11<br>GMW1030-C10<br>GMW1030-C11<br>P100M25ASL-H4-C10<br>P180M30ASL-YL-C10<br>P180M30ASL-YL-C11<br>SEE250H4H-SABCOG-C11<br>SEE30FYLH-SABCOG-C10<br>SEE30FYLH-SABCOG-C11<br>W-15-302C |
| <b>description</b>  | microswitch with plunger 250V 15A 1NO connection male faston 4.8mm L 20mm L2 22mm ambient temperature max. 105°C mounting distance 22mm type W-15-302C actuating force: 200g white |                 |  |

#### accessories

|   |  |                 |   |
|---|--|-----------------|---|
|    |  |                 |   |
| 1   |  |                 |   |
| <b>GEV No.</b>  | 347797   | <b>Ref. No.</b> | 223109000105<br>GMW1030-P23<br>P180M30ASL-YL-P23<br>SEE30FYLH-SABCOG-P23    |
| <b>description</b>  | bracket for microswitch L 165mm W 65mm Qty 1 pcs |                 |   |
| <b>accessories for</b>  | 347797   |                 |   |
|  |  |                 |   |
| <b>GEV No.</b>  | 347794   | <b>Ref. No.</b> | 223119000028<br>GMW1030-P247<br>P180M30ASL-YL-P247<br>SEE30FYLH-SABCOG-P247 |
| lever for microswitch L 28mm small ID ø 5mm W 22mm Qty 1 pcs                        |  |                 |   |
|  |  |                 |   |
| <b>GEV No.</b>  | 347795   | <b>Ref. No.</b> | 223119000027<br>GMW1030-P246<br>P180M30ASL-YL-P246<br>SEE30FYLH-SABCOG-P246 |
| lever for microswitch L 45mm middle ID ø 5mm W 22mm Qty 1 pcs                       |  |                 |   |
|  |  |                 |   |
| <b>GEV No.</b>  | 347796   | <b>Ref. No.</b> | 223119000026<br>GMW1030-P245<br>P180M30ASL-YL-P245<br>SEE30FYLH-SABCOG-P245 |
| lever for microswitch L 63mm large ID ø 5mm W 22mm Qty 1 pcs                        |  |                 |   |

|   |  |                 |   |
|---|--|-----------------|---|
|  |  |                 |   |
| 1   |  |                 |   |
| <b>GEV No.</b>  | 347794   | <b>Ref. No.</b> | 223119000028<br>GMW1030-P247<br>P180M30ASL-YL-P247<br>SEE30FYLH-SABCOG-P247 |
| <b>description</b>  | lever for microswitch L 28mm small ID ø 5mm W 22mm Qty 1 pcs |                 |   |



1

|                    |   |                 |   |
|--------------------|---|-----------------|---|
| <b>GEV No.</b>     | 347795  | <b>Ref. No.</b> | 223119000027<br>GMW1030-P246<br>P180M30ASL-YL-P246<br>SEE30FYLH-SABCOG-P246 |
| <b>description</b> | lever for microswitch L 45mm middle ID ø 5mm W 22mm Qty 1 pcs |                 |   |



1

|                    |  |                 |   |
|--------------------|--|-----------------|---|
| <b>GEV No.</b>     | 347796   | <b>Ref. No.</b> | 223119000026<br>GMW1030-P245<br>P180M30ASL-YL-P245<br>SEE30FYLH-SABCOG-P245 |
| <b>description</b> | lever for microswitch L 63mm large ID ø 5mm W 22mm Qty 1 pcs |                 |   |

## lamps

### microwave lamps

#### sockets



1

|                    |  |                 |  |
|--------------------|--|-----------------|--|
| <b>GEV No.</b>     | 357141   | <b>Ref. No.</b> | 253079000023<br>GMW1030-P21<br>P180M30ASL-YL-P21<br>SEE30FYLH-SABCOG-P21 |
| <b>description</b> | lamp socket socket E14 250V ø 26mm L 37mm connection male faston 4.8mm mounting distance 40mm for microwave holder length 52mm plastic Qty 1 pcs |                 |  |

#### light bulbs



1

|                    |  |                 |  |
|--------------------|--|-----------------|--|
| <b>GEV No.</b>     | 357142   | <b>Ref. No.</b> | 253079000050<br>GMW1030-C06<br>P180M30ASL-YL-C06<br>SEE30FYLH-SABCOG-C06 |
| <b>description</b> | light bulb socket E14 230V 20W ø 22mm L 58mm Qty 1 pcs lens L 33mm |                 |  |



1

|                    |  |                 |  |
|--------------------|--|-----------------|--|
| <b>GEV No.</b>     | 357175   | <b>Ref. No.</b> | 253079000039<br>GMW1025-C06<br>P100M25ASL-H4-C06<br>SEE250H4H-SABCOG-C06 |
| <b>description</b> | light bulb socket E14 230V 20W ø 25mm L 63mm Qty 1 pcs lens L 37mm |                 |  |

## solid state relays

### accessories

#### diodes

#### high voltage diodes



1

|                    |  |                 |  |
|--------------------|--|-----------------|--|
| <b>GEV No.</b>     | 403185   | <b>Ref. No.</b> | GMW1030-C45<br>P180M30ASL-YL-C45<br>SEE30FYLH-SABCOG-C45 |
| <b>description</b> | hv diode type RG304 connection F4.8mm / lug M4 for microwave Qty 1 pcs |                 |  |



1


|                    |   |                 |  |
|--------------------|---|-----------------|--|
| <b>GEV No.</b>     | 403261  | <b>Ref. No.</b> | 253089000101<br>GMW1025-C02<br>P100M25ASL-H4-C02<br>SEE250H4H-SABCOG-C02 |
| <b>description</b> | hv diode type RG501 connection F6.3mm / lug M4 cable lengthmm for microwave Qty 1 pcs |                 |  |

## magnetrons



1

|                    |                           |                 |  |
|--------------------|---------------------------|-----------------|--|
| <b>GEV No.</b>     | 403173                    | <b>Ref. No.</b> | 253017000051<br>GMW1025-C08<br>P100M25ASL-H4-C08<br>SEE250H4H-SABCOG-C08 |
| <b>description</b> | Magnetron type 2M248J(JT) |                 |  |





1

|                    |   |                 |  |
|--------------------|---|-----------------|--|
| <b>GEV No.</b>     | 403259  | <b>Ref. No.</b> | GMW1030-C08<br>M24FB-610A<br>P180M30ASL-YL-C08<br>SEE30FYLH-SABCOG-C08 |
| <b>description</b> | Magnetron type M24FB-610A for microwave suitable for GALANZ |                 |  |

electronics

electronics accessories




1

|                    |  |                 |  |
|--------------------|--|-----------------|--|
| <b>GEV No.</b>     | 551213   | <b>Ref. No.</b> | 223249000078<br>GMW1030-P65<br>P180M30ASL-YL-P65<br>SEE30FYLH-SABCOG-P65 |
| <b>description</b> | bracket for PCB L 125mm W 80mm thickness 3mm plastic Qty 1 pcs |                 |  |


transformers

HV transformers




1

|                    |   |                 |  |
|--------------------|---|-----------------|--|
| <b>GEV No.</b>     | 403258  | <b>Ref. No.</b> | 253029000697<br>95244XC-5<br>GAL-900E-4<br>P180M30ASL-YL-C12<br>SEE30FYLH-SABCOG-C12 |
| <b>description</b> | HV transformer primary 230-240V 50Hz type 95244XC-5 for micro-waves |                 |  |



1


|                    |   |                 |  |
|--------------------|---|-----------------|--|
| <b>GEV No.</b>     | 403737  | <b>Ref. No.</b> | 253029000698<br>95244XC-7<br>GMW1030-C12 |
| <b>description</b> | HV transformer primary 230-240V 50Hz type 95244XC-7 for micro-waves |                 |  |



1


|                    |  |                 |  |
|--------------------|--|-----------------|--|
| <b>GEV No.</b>     | 403257   | <b>Ref. No.</b> | 253029000256<br>GAL-1000E-1G<br>GMW1025-C12<br>P100M25ASL-H4-C12<br>SEE250H4H-SABCOG-C12 |
| <b>description</b> | HV transformer primary 230-240V 50Hz type GAL-1000E-1G for microwave |                 |  |

PCBs




1

|                    |   |                 |  |
|--------------------|---|-----------------|--|
| <b>GEV No.</b>     | 403168  | <b>Ref. No.</b> | GMW1030-C17 old<br>P180M30ASL-YL-C17 old<br>SEE30FYLH-SABCOG-C17 old |
| <b>description</b> | control PCB microwave GMW1030 L 335mm W 50mm with display |                 |  |




1

|                    |   |                 |  |
|--------------------|---|-----------------|--|
| <b>GEV No.</b>     | 403653  | <b>Ref. No.</b> | 263019008957<br>GMW1030-C17<br>P180M30ASL-YL-C17<br>SEE30FYLH-SABCOG-C17 |
| <b>description</b> | control PCB microwave GMW1030 L 375mm W 50mm with display |                 |  |



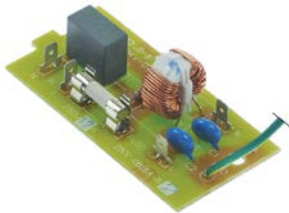
1

|                    |   |                 |  |
|--------------------|---|-----------------|--|
| <b>GEV No.</b>     | 403529  | <b>Ref. No.</b> | 263019008956<br>GMW1025-C17<br>P100M25ASL-H4-C17<br>SEE250H4H-SABCOG-C17 |
| <b>description</b> | display PCB microwave GMW1025 L 160mm W 85mm cable length 200mm for microwave |                 |  |



1

|                    |  |                 |  |
|--------------------|--|-----------------|--|
| <b>GEV No.</b>     | 403184   | <b>Ref. No.</b> | 263029001216<br>GMW1030-C04<br>P180M30ASL-YL-C04<br>SEE30FYLH-SABCOG-C04 |
| <b>description</b> | line filter for microwave type GMW1030 250V 50/60Hz conductor 2 PCB connection male faston 6.3mm L 90mm H 20mm W 70mm PCB Qty 1 pcs cable length 130mm |                 |  |




1

|                    |  |                 |  |
|--------------------|--|-----------------|--|
| <b>GEV No.</b>     | 403188   | <b>Ref. No.</b> | 263029001088<br>GMW1025-C04<br>P100M25ASL-H4-C04<br>SEE250H4H-SABCOG-C04 |
| <b>description</b> | line filter microwave for GMW1025 250V 50/60Hz conductor 2 PCB connection male faston 4.8mm L 80mm H 20mm W 40mm PCB Qty 1 pcs cable length 120mm type DNV-0818A-5 |                 |  |


## keypads

### membrane keypads



1

|                    |   |                 |  |
|--------------------|---|-----------------|--|
| <b>GEV No.</b>     | 403186  | <b>Ref. No.</b> | 253069004090<br>GMW1030-C18<br>P180M30ASL-YL-C18<br>SEE30FYLH-SABCOG-C18 |
| <b>description</b> | membrane keypad microwave buttons 18 Qty 1 pcs L 386mm W 42mm |                 |  |




1

|                    |   |                 |  |
|--------------------|---|-----------------|--|
| <b>GEV No.</b>     | 403187  | <b>Ref. No.</b> | 253069002692<br>GMW1025-C18<br>P100M25ASL-H4-C18<br>SEE250H4H-SABCOG-C18 |
| <b>description</b> | membrane keypad microwave GMW1025 2-piece buttons 15 Qty 1 pcs L 164mm W 70mm |                 |  |

## fans

### hot air motors

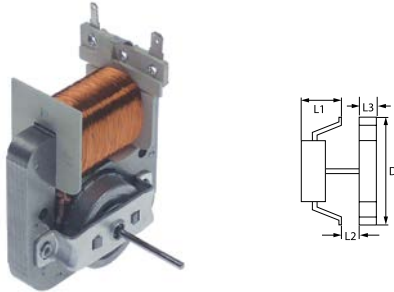


1

|                    |  |                 |   |
|--------------------|--|-----------------|---|
| <b>GEV No.</b>     | 601865   | <b>Ref. No.</b> | 278009000143<br>GAL6125E-ZD-1<br>GMW1030-C05<br>P180M30ASL-YL-C05<br>SEE30FYLH-SABCOG-C05 |
| <b>description</b> | fan motor 220-240V 50/60Hz 0.036kW 2500rpm D1 ø 6mm power input 18W at 50Hz 2600rpm shaft flat length 18mm |                 |   |

### hot air fans

#### miscellaneous




1

|                    |   |                 |  |
|--------------------|---|-----------------|--|
| <b>GEV No.</b>     | 601838  | <b>Ref. No.</b> | 278009000033<br>GMW1025-C05<br>P100M25ASL-H4-C05<br>SEE250H4H-SABCOG-C05 |
| <b>description</b> | fan motor 220-240V 18W 2500rpm L1 33mm L2 12mm L3 15mm L4mm fan wheel ø 120mm shaft 2x2.5mm GALANZ type GAL6309E(30)-ZD Qty 1 pcs |                 |  |

#### accessories

#### fan wheels for hot air fans




1

|                    |  |                 |  |
|--------------------|--|-----------------|--|
| <b>GEV No.</b>     | 601839   | <b>Ref. No.</b> | 223149000014<br>GMW1025-P06<br>P100M25ASL-H4-P06<br>SEE250H4H-SABCOG-P06 |
| <b>description</b> | fan wheel ø 120mm W 32mm shaft intake ø 2x2.5mm plastic blades 4 Qty 1 pcs |                 |  |



miscellaneous

|   |   |                 |                            |
|---|---|-----------------|----------------------------|
|  |   |                 |                            |
| 1   |   |                 |                            |
| <b>GEV No.</b>  | 601840  | <b>Ref. No.</b> | 22313900011<br>GMW1025-P05 |
| <b>description</b>  | bracket ø 130mm L 135mm W 130mm for hot air fan Qty 1 pcs |                 |                            |

radial fans

accessories


fan wheels for radial fans


|   |   |                 |   |
|---|---|-----------------|---|
|  |   |                 |   |
| 1   |   |                 |   |
| <b>GEV No.</b>  | 601837  | <b>Ref. No.</b> | 223999000174<br>GMW1030-P272<br>P180M30ASL-YL-P272<br>SEE30FYLH-SABCOG-P272 |
| <b>description</b>  | fan wheel for radial fan ø 96mm shaft diameter 4x5mm H 49mm blades 40 plastic Qty 1 pcs |                 |   |

motors

gear motors

for microwaves

|   |   |                 |   |
|---|---|-----------------|---|
|  |   |                 |   |
| 1   |   |                 |   |
| <b>GEV No.</b>  | 601867  | <b>Ref. No.</b> | 278019000017<br>GMW1025-C100<br>P100M25ASL-H4-C100<br>SEE250H4H-SABCOG-C100 |
| <b>description</b>  | gear motor GALANZ type GAL-33-30-TD(B) 4W 30V voltage AC 50/60Hz 33/40rpm shaft ø 6x3.5mm for microwave Qty 1 pcs |                 |   |


|  |  |                 |   |
|--|--|-----------------|---|
|  |  |                 |   |
| 1  |  |                 |   |
| <b>GEV No.</b>   | 601828   | <b>Ref. No.</b> | 278009000128<br>GMW1030-C100<br>P180M30ASL-YL-C100<br>SEE30FYLH-SABCOG-C100 |
| <b>description</b>   | gear motor SYNCHRONOUS MOTOR type SM-16E 3W 220-240V voltage AC 50/60Hz 30/36rpm shaft ø 6x3.5mm |                 |   |


condensators & interference suppression filters

filters

line filters

without housing

|   |  |                 |  |
|---|--|-----------------|--|
|  |  |                 |  |
| 1   |  |                 |  |
| <b>GEV No.</b>  | 403184   | <b>Ref. No.</b> | 263029001216<br>GMW1030-C04<br>P180M30ASL-YL-C04<br>SEE30FYLH-SABCOG-C04 |
| <b>description</b>  | line filter for microwave type GMW1030 250V 50/60Hz conductor 2 PCB connection male faston 6.3mm L 90mm H 20mm W 70mm PCB Qty 1 pcs cable length 130mm |                 |  |

|  |  |                 |  |
|--|--|-----------------|--|
|  |  |                 |  |
| 1  |  |                 |  |
| <b>GEV No.</b>   | 403188   | <b>Ref. No.</b> | 263029001088<br>GMW1025-C04<br>P100M25ASL-H4-C04<br>SEE250H4H-SABCOG-C04 |
| <b>description</b>   | line filter microwave for GMW1025 250V 50/60Hz conductor 2 PCB connection male faston 4.8mm L 80mm H 20mm W 40mm PCB Qty 1 pcs cable length 120mm type DNV-0818A-5 |                 |  |



## HV capacitors



1

|                    |   |                 |  |
|--------------------|---|-----------------|--|
| <b>GEV No.</b>     | 365158  | <b>Ref. No.</b> | 253059000130<br>GMW1030-C03<br>P180M30ASL-YL-C03<br>SEE30FYLH-SABCOG-C03 |
| <b>description</b> | HV capacitor for microwave 1.05µF type CH85-21105 2100V 50/60Hz double connection male faston 6.3mm L 90mm H 33mm W 52mm dependent on equipment aluminium Qty 1 pcs ømm |                 |  |



2

|                    |  |                 |  |
|--------------------|--|-----------------|--|
| <b>GEV No.</b>     | 365159   | <b>Ref. No.</b> | 253059000142<br>GMW1025-C03<br>P100M25ASL-H4-C03<br>SEE250H4H-SABCOG-C03 |
| <b>description</b> | HV capacitor for microwave 1.15µF type CH85-21115 2100V 50/60Hz double connection male faston 4.8mm L 105mm H 33mm W 52mm dependent on equipment aluminium Qty 1 pcs |                 |  |

## electric accessories

## cables

## power supply cables



1

|                    |   |                 |  |
|--------------------|---|-----------------|--|
| <b>GEV No.</b>     | 551232  | <b>Ref. No.</b> | 253159002607<br>GMW1025-C14<br>P100M25ASL-H4-C14<br>SEE250H4H-SABCOG-C14 |
| <b>description</b> | power lead CEE7/7 1mm <sup>2</sup> max 500V 1.5m Qty 1 pcs connection male faston 6.3mm black |                 |  |

## cable harnesses



1

|                    |   |                 |  |
|--------------------|---|-----------------|--|
| <b>GEV No.</b>     | 694615  | <b>Ref. No.</b> | 253169000472<br>GMW1025-C13<br>P100M25ASL-H4-C13<br>SEE250H4H-SABCOG-C13 |
| <b>description</b> | cable harness for microwave L 800mm Qty 1 pcs |                 |  |

## equipment-specific units

## for microwaves

## electric

## displays



1

|                    |  |                 |  |
|--------------------|--|-----------------|--|
| <b>GEV No.</b>     | 692457   | <b>Ref. No.</b> | 243029001240<br>GMW1030-P40<br>P180M30ASL-YL-P40<br>SEE30FYLH-SABCOG-P40 |
| <b>description</b> | disc for display plexiglas W 32mm L 70mm thickness 1.3mm Qty 1 pcs |                 |  |

## microswitches

## holders



1

|                    |  |                 |  |
|--------------------|--|-----------------|--|
| <b>GEV No.</b>     | 347797   | <b>Ref. No.</b> | 223109000105<br>GMW1030-P23<br>P180M30ASL-YL-P23<br>SEE30FYLH-SABCOG-P23 |
| <b>description</b> | bracket for microswitch L 165mm W 65mm Qty 1 pcs |                 |  |

accessories for 347797



|  |        |                 |   |
|--|--------|-----------------|---|
| <b>GEV No.</b>   | 347794 | <b>Ref. No.</b> | 223119000028<br>GMW1030-P247<br>P180M30ASL-YL-P247<br>SEE30FYLH-SABCOG-P247 |
| lever for microswitch L 28mm small ID ø 5mm W 22mm Qty 1 pcs |        |                 |   |




|   |        |                 |   |
|---|--------|-----------------|---|
| <b>GEV No.</b>  | 347795 | <b>Ref. No.</b> | 223119000027<br>GMW1030-P246<br>P180M30ASL-YL-P246<br>SEE30FYLH-SABCOG-P246 |
| lever for microswitch L 45mm middle ID ø 5mm W 22mm Qty 1 pcs |        |                 |   |





|  |        |                 |   |
|--|--------|-----------------|---|
| <b>GEV No.</b>   | 347796 | <b>Ref. No.</b> | 223119000026<br>GMW1030-P245<br>P180M30ASL-YL-P245<br>SEE30FYLH-SABCOG-P245 |
| lever for microswitch L 63mm large ID ø 5mm W 22mm Qty 1 pcs |        |                 |   |




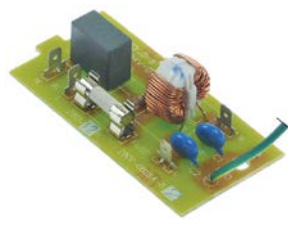


| levers  |  |                 |   |
|---|--|-----------------|---|
|  |  |                 |   |
| 1   |  |                 |   |
| <b>GEV No.</b>  | 347794   | <b>Ref. No.</b> | 223119000028<br>GMW1030-P247<br>P180M30ASL-YL-P247<br>SEE30FYLH-SABCOG-P247 |
| <b>description</b>  | lever for microswitch L 28mm small ID ø 5mm W 22mm Qty 1 pcs |                 |   |

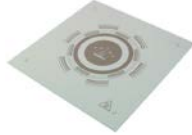

|   |   |                 |   |
|---|---|-----------------|---|
|  |   |                 |   |
| 1   |   |                 |   |
| <b>GEV No.</b>  | 347795  | <b>Ref. No.</b> | 223119000027<br>GMW1030-P246<br>P180M30ASL-YL-P246<br>SEE30FYLH-SABCOG-P246 |
| <b>description</b>  | lever for microswitch L 45mm middle ID ø 5mm W 22mm Qty 1 pcs |                 |   |

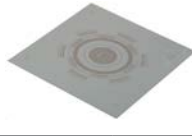
|  |  |                 |   |
|--|--|-----------------|---|
|  |  |                 |   |
| 1  |  |                 |   |
| <b>GEV No.</b>   | 347796   | <b>Ref. No.</b> | 223119000026<br>GMW1030-P245<br>P180M30ASL-YL-P245<br>SEE30FYLH-SABCOG-P245 |
| <b>description</b>   | lever for microswitch L 63mm large ID ø 5mm W 22mm Qty 1 pcs |                 |   |

| line filters  |  |                 |  |
|---|--|-----------------|--|
|  |  |                 |  |
| 1   |  |                 |  |
| <b>GEV No.</b>  | 403184   | <b>Ref. No.</b> | 263029001216<br>GMW1030-C04<br>P180M30ASL-YL-C04<br>SEE30FYLH-SABCOG-C04 |
| <b>description</b>  | line filter for microwave type GMW1030 250V 50/60Hz conductor 2 PCB connection male faston 6.3mm L 90mm H 20mm W 70mm PCB Qty 1 pcs cable length 130mm |                 |  |

|  |  |                 |  |
|--|--|-----------------|--|
|  |  |                 |  |
| 1  |  |                 |  |
| <b>GEV No.</b>   | 403188   | <b>Ref. No.</b> | 263029001088<br>GMW1025-C04<br>P100M25ASL-H4-C04<br>SEE250H4H-SABCOG-C04 |
| <b>description</b>   | line filter microwave for GMW1025 250V 50/60Hz conductor 2 PCB connection male faston 4.8mm L 80mm H 20mm W 40mm PCB Qty 1 pcs cable length 120mm type DNV-0818A-5 |                 |  |

| housings   |   |                 |   |
|--|---|-----------------|---|
| outer parts  |   |                 |   |
|  |   |                 |   |
| 1  |   |                 |   |
| <b>GEV No.</b>   | 692453  | <b>Ref. No.</b> | 403079000048<br>GMW1030-P240<br>P180M30ASL-YL-P240<br>SEE30FYLH-SABCOG-P240 |
| <b>description</b>   | frame L 484mm W 72mm H 34mm for microwave Qty 1 pcs |                 |   |

| ceramic plates   |   |                 |   |
|--|---|-----------------|---|
|  |   |                 |   |
| 1  |   |                 |   |
| <b>GEV No.</b>   | 692350  | <b>Ref. No.</b> | 243999000108<br>GMW1025-P162<br>P100M25ASL-H4-P162<br>SEE250H4H-SABCOG-P162 |
| <b>description</b>   | ceramic plate L 330mm W 335mm for microwave thickness 3.5mm GMW1025 Qty 1 pcs |                 |   |
| <b>accessories for</b>   | 692350  |                 |   |
|   |   |                 |   |
| <b>GEV No.</b>   | 901698  | <b>Ref. No.</b> | 593219000016<br>GMW1025-P161<br>P100M25ASL-H4-P161                          |
| <b>description</b>   | gasket L 330mm W 325mm silicone for ceramic plate Qty 1 pcs                   |                 |   |

|  |   |                 |   |
|--|---|-----------------|---|
|  |   |                 |   |
| 1  |   |                 |   |
| <b>GEV No.</b>   | 692462  | <b>Ref. No.</b> | 243999000113<br>GMW1030-P161<br>P180M30ASL-YL-P161<br>SEE30FYLH-SABCOG-P161 |
| <b>description</b>   | ceramic plate L 365mm W 353mm for microwave thickness 4mm GMW1030 suitable for GALANZ |                 |   |

## miscellaneous



1

|                    |  |                 |  |
|--------------------|--|-----------------|--|
| <b>GEV No.</b>     | 601869   | <b>Ref. No.</b> | 213149000023<br>GMW1025-P04<br>P100M25ASL-H4-P04<br>SEE250H4H-SABCOG-P04 |
| <b>description</b> | bracket L 78mm W 20mm H 50mm for condenser Qty 1 pcs |                 |  |

## doors

## films



1

|                    |  |                 |   |
|--------------------|--|-----------------|---|
| <b>GEV No.</b>     | 692451   | <b>Ref. No.</b> | 515059000119<br>GMW1025-P114<br>P100M25ASL-H4-P114<br>SEE250H4H-SABCOG-P114 |
| <b>description</b> | film L 287mm W 159mm for door inside thickness 0.1mm transparent suitable for GALANZ plastic Qty 1 pcs |                 |   |

## door hinges



1

|                    |  |                 |   |
|--------------------|--|-----------------|---|
| <b>GEV No.</b>     | 701250   | <b>Ref. No.</b> | 213999000705<br>GMW1030-P377<br>P180M30ASL-YL-P377<br>SEE30FYLH-SABCOG-P377 |
| <b>description</b> | hook lower for door latch L 51mm W 6mm H 28mm hole ø 4.4mm Qty 1 pcs |                 |   |

## door catches



1

|                    |   |                 |   |
|--------------------|---|-----------------|---|
| <b>GEV No.</b>     | 347902  | <b>Ref. No.</b> | GMW1025-P198<br>P100M25ASL-H4-P198<br>SEE250H4H-SABCOG-P198 |
| <b>description</b> | door catch L 174mm W 48mm for microwave GMW1025 suitable for GALANZ plastic Qty 1 pcs |                 |   |

## tension springs



1

|                    |  |                 |   |
|--------------------|--|-----------------|---|
| <b>GEV No.</b>     | 701249   | <b>Ref. No.</b> | 575000090094<br>GMW1030-P118<br>P180M30ASL-YL-P118<br>SEE30FYLH-SABCOG-P118 |
| <b>description</b> | tension spring ø 7.3mm total length 25.5mm wire gauge ø 1mm for door latch Qty 1 pcs |                 |   |

## handles and hand wheels

## door handles

## door handles



1

|                    |  |                 |  |
|--------------------|--|-----------------|--|
| <b>GEV No.</b>     | 694617   | <b>Ref. No.</b> | 213999000846<br>GMW1030-P34<br>P180M30ASL-YL-P34<br>SEE30FYLH-SABCOG-P34 |
| <b>description</b> | handle rod tube ø 16mm L 235mm aluminium Qty 1 pcs |                 |  |

## equipment feet and end caps

## equipment feet with stem



1

|                    |  |                 |  |
|--------------------|--|-----------------|--|
| <b>GEV No.</b>     | 701251   | <b>Ref. No.</b> | 223189000015<br>GMW1025-P26<br>P100M25ASL-H4-P26<br>SEE250H4H-SABCOG-P26 |
| <b>description</b> | equipment foot ø 20mm H 12mm mounting ø 8mm mounting measurements 19mm overall height 19mm plastic Qty 1 pcs |                 |  |

## gaskets

## special gaskets


## for microwaves



1

|                    |   |                 |   |
|--------------------|---|-----------------|---|
| <b>GEV No.</b>     | 901698  | <b>Ref. No.</b> | 593219000016<br>GMW1025-P161<br>P100M25ASL-H4-P161<br>SEE250H4H-SABCOG-P161 |
| <b>description</b> | gasket L 330mm W 325mm silicone for ceramic plate Qty 1 pcs |                 |   |



|   |   |                 |      |
|---|---|-----------------|------|
|  |   |                 |      |
| 1   |   |                 |      |
| <b>GEV No.</b>  | 902161  | <b>Ref. No.</b> | P161 |
| <b>description</b>  | gasket L 365mm W 360mm silicone for ceramic plate Qty 1 pcs for GMW1030 |                 |      |

## springs

### tension springs

|   |  |                 |   |
|---|--|-----------------|---|
|  |  |                 |   |
| 1   |  |                 |   |
| <b>GEV No.</b>  | 701249   | <b>Ref. No.</b> | 575000090094<br>GMW1030-P118<br>P180M30ASL-YL-P118<br>SEE30FYLH-SABCOG-P118 |
| <b>description</b>  | tension spring ø 7.3mm total length 25.5mm wire gauge ø 1mm for door latch Qty 1 pcs |                 |   |



**B**

bi-metal thermostats 3,3

**C**

cables 8

condensators & interference suppression filters 7

**E**

electric accessories 8

**F**

fans 6

filters 7

**H**

hot air fans 6

hot air motors 6

HV capacitors 8

**L**

lamps 4

**M**

magnetrons 4

microswitches 3

microwave lamps 4

motors 7

**P**

power supply cables 8

**R**

radial fans 7

**S**

solid state relays 4

switches and momentary switches 3

**T**

thermostats 3

transformers 5