



GAS COMPONENTS



ELECTRIC COMPONENTS



WATER TECHNOLOGY



MECHANICAL COMPONENTS



TOOLS

Spare parts suitable for

GEMINI FORNI

Find the complete and up-to-date range of products in our GEV Webshop



Manufacturer catalogue

The most important spare parts and accessories arranged clearly for every manufacturer

- ✓ Complete product range and all appliance data always up to date in the GEV Webshop
- ✓ Alphabetical Index at the end of the catalogue

GEV Webshop

www.gev-online.co.uk

www.gev-online.com




- 🔍 Add to Favourites
- 🔍 Sign In with email address and usual password
- 🔍 Easy-order – place several items in your basket at the same time
- 🔍 Quick Item search – no login needed



heating elements

heating elements for convection


			
1			
GEV No.	419159	Ref. No.	233044
description	heating element 2300W 230V heating circuits 1 ID ø 183mm ED ø 195mm L 235mm H 33mm L1 38mm W1 30mm H1 3mm H2 26mm flange length 70mm flange width 23mm hole distance 56mm connection male faston 6.3mm connection length 45mm tube ø 6.3mm convection heating element hole ø 5mm		

thermostats

control and safety thermostats

CAMPINI

control thermostats


			
1			
GEV No.	375934	Ref. No.	233116
description	thermostat t.max. 280°C temperature range 50-280°C 1-pole 1NO 16A probe ø 3mm probe L 185mm capillary pipe 960mm capillary pipe isolated 700mm gland nut shaft ø 6x4.6mm shaft L 23mm shaft position upper rotation 270° probe material SS 250V		

safety thermostats

			
1			
GEV No.	375892	Ref. No.	456508
description	safety thermostat switch-off temp. 318°C 1-pole 16A probe ø 3mm probe L 137mm capillary pipe 1260mm capillary pipe isolated 710mm gland nut probe SS type Ty 95-H		

accessories

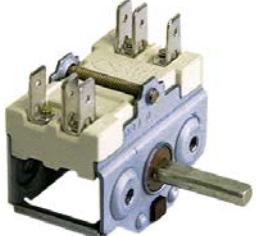

connecting bows



			
1			
GEV No.	550060	Ref. No.	233118
description	connecting bow long for thermostat Qty 1 pcs		

switches and momentary switches

cam switches

operation switches

			
1			
GEV No.	300001	Ref. No.	233117
description	cam switch operation switch 16A sequence 0-1 shaft ø 6x4.6mm connection male faston 6.3mm 2-pole		
accessories for	300001		
	GEV No.	551456	Ref. No.
			—
	 gasket for switch ED ø 14mm ID ø 2.5mm thickness 3.5mm white		

			
			
1			
GEV No.	300200	Ref. No.	233117
description	operation switch 2 operating positions 2NO 16A sequence 0-1 shaft ø 6x4.6mm shaft L 23mm connection male faston 6.3mm operation switch ceramic		



lamps

indicator lights

indicator lights (complete)

ø 9mm



GEV No.	359136	Ref. No.	233120
description	indicator light ø 9mm 230V green connection male faston 6.3mm temp.-resist. 120°C		

ø10mm

with plug-in socket



GEV No.	359139	Ref. No.	233120
description	indicator light ø 10mm green 230V connection male faston 6.3mm Qty 1 pcs		



GEV No.	359138	Ref. No.	N/A
description	indicator light ø 10mm red 230V connection male faston 6.3mm Qty 1 pcs		



GEV No.	359140	Ref. No.	N/A
description	indicator light ø 10mm yellow 230V connection male faston 6.3mm Qty 1 pcs		

ø12mm

with screw socket



GEV No.	359048	Ref. No.	456512
description	indicator light ø 12mm 230V yellow connection male faston 6.3mm		



GEV No.	359027	Ref. No.	456511
description	indicator light ø 12mm 250V green connection male faston 6.3mm		

screw-on/push-on fit

light bulbs

for ovens



GEV No.	359612	Ref. No.	233104
description	light bulb t.max. 300°C socket E14 25W 230V ø 25mm L 56mm lens L 30mm for oven lamp type Philips		



oven lamps

universal oven lamps

mounting diameter 35.5mm



GEV No.	359718	Ref. No.	456518
description	oven lamp mounting ø 35.5mm 230V 15W socket E14 temp.-resist. 300°C connection male faston 6.3mm hard glas		

spare parts for	359718			
	GEV No.	359701	Ref. No.	—
	lamp socket socket E14 220-230V mounting ø 35.5mm connection male faston 6.3mm 15W			
	GEV No.	359740	Ref. No.	—
	light bulb t.max. 300°C socket E14 15W 230V ø 22mm L 48mm lens L 20mm for oven lamp IMPORT			

55x100mm



GEV No.	359698	Ref. No.	550181
description	lamp socket L 100mm W 55mm socket E14 connection male faston 6.3mm		











spare parts for	359698			
	GEV No.	358119	Ref. No.	233185
	frame L 118mm W 72mm mounting distance 143mm for bulb socket			
	GEV No.	358122	Ref. No.	233054
	gasket L 112mm W 68mm silicone thickness 3mm for bulb socket			
	GEV No.	358123	Ref. No.	233186
	lamp glass L 112mm W 68mm			
	GEV No.	359612	Ref. No.	233104
	light bulb t.max. 300°C socket E14 25W 230V ø 25mm L 56mm lens L 30mm for oven lamp type Philips			


Table continues overleaf











spare parts for 359698			
	GEV No.	359714	Ref. No. N/A
gasket for bulb socket			
	GEV No.	359715	Ref. No. N/A
lamp glass L 110mm W 65mm thickness 5mm			
	GEV No.	359716	Ref. No. N/A
frame for bulb socket			
accessories for 359698			
	GEV No.	359612	Ref. No. 233104
light bulb t.max. 300°C socket E14 25W 230V ø 25mm L 56mm lens L 30mm for oven lamp type Philips			
	GEV No.	359938	Ref. No. —
borosilicate glass L 115mm W 69mm			



			
1			
GEV No.	359716	Ref. No.	N/A
description	frame for bulb socket		

			
1			
GEV No.	359714	Ref. No.	N/A
description	gasket for bulb socket		

			
1			
GEV No.	359715	Ref. No.	N/A
description	lamp glass L 110mm W 65mm thickness 5mm		


			
1			
GEV No.	359698	Ref. No.	550181
description	lamp socket L 100mm W 55mm socket E14 connection male faston 6.3mm		
spare parts for 359698			
	GEV No.	358119	Ref. No. 233185
frame L 118mm W 72mm mounting distance 143mm for bulb socket			
	GEV No.	358122	Ref. No. 233054
gasket L 112mm W 68mm silicone thickness 3mm for bulb socket			


spare parts for 359698			
	GEV No.	358123	Ref. No. 233186
lamp glass L 112mm W 68mm			
	GEV No.	359612	Ref. No. 233104
light bulb t.max. 300°C socket E14 25W 230V ø 25mm L 56mm lens L 30mm for oven lamp type Philips			
	GEV No.	359714	Ref. No. N/A
gasket for bulb socket			
	GEV No.	359715	Ref. No. N/A
lamp glass L 110mm W 65mm thickness 5mm			
	GEV No.	359716	Ref. No. N/A
frame for bulb socket			


accessories for 359698			
	GEV No.	359612	Ref. No. 233104
light bulb t.max. 300°C socket E14 25W 230V ø 25mm L 56mm lens L 30mm for oven lamp type Philips			
	GEV No.	359938	Ref. No. —
borosilicate glass L 115mm W 69mm			

producer-specific oven lamps

GEMINI FORNI

			
1			
GEV No.	358119	Ref. No.	233185
description	frame L 118mm W 72mm mounting distance 143mm for bulb socket		

			
1			
GEV No.	358122	Ref. No.	233054
description	gasket L 112mm W 68mm silicone thickness 3mm for bulb socket		

			
1			
GEV No.	358123	Ref. No.	233186
description	lamp glass L 112mm W 68mm		











			
1			
GEV No.	359698	Ref. No.	550181
description	lamp socket L 100mm W 55mm socket E14 connection male faston 6.3mm		
spare parts for 359698			
	GEV No.	358119	Ref. No. 233185
frame L 118mm W 72mm mounting distance 143mm for bulb socket			


Table continues overleaf



spare parts for 359698	
	GEV No. 358122 Ref. No. 233054 gasket L 112mm W 68mm silicone thickness 3mm for bulb socket
	GEV No. 358123 Ref. No. 233186 lamp glass L 112mm W 68mm
	GEV No. 359612 Ref. No. 233104 light bulb t.max. 300°C socket E14 25W 230V ø 25mm L 56mm lens L 30mm for oven lamp type Philips
	GEV No. 359714 Ref. No. N/A gasket for bulb socket
	GEV No. 359715 Ref. No. N/A lamp glass L 110mm W 65mm thickness 5mm
	GEV No. 359716 Ref. No. N/A frame for bulb socket
accessories for 359698	
	GEV No. 359612 Ref. No. 233104 light bulb t.max. 300°C socket E14 25W 230V ø 25mm L 56mm lens L 30mm for oven lamp type Philips
	GEV No. 359938 Ref. No. — borosilicate glass L 115mm W 69mm


lamps

light bulbs

	
1	
GEV No.	359612 Ref. No. 233104
description	light bulb t.max. 300°C socket E14 25W 230V ø 25mm L 56mm lens L 30mm for oven lamp type Philips


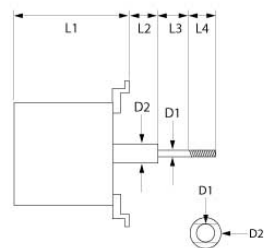

timers

mechanical timers

	
1	
GEV No.	350008 Ref. No. 100095
description	timer M2 with bell 2-pole operation time 120min impulse mechanical 2NO at 250V 16A permanent position yes shaft ø 6x4.6mm shaft 6x4.6mm shaft L 24mm mounting distance 28mm connection lateral

fans


hot air motors

	
1	
GEV No.	601779 Ref. No. 233061
description	fan motor 230V 1 phase 50Hz L1 79mm L2 33mm L3 23mm L4 12mm D1 ø 6x8mm D2 ø 8mm
spare parts for 601779	
	GEV No. 365009 Ref. No. — operating capacitor capacity 2.5µF 400V tolerance 5% 50Hz ambient temperature max. -25 to +85°C ø 36.5mm L 55mm M8 plastic connection male faston 6.3mm 1.27.65C3 protection
accessories for 601779	
	GEV No. 601780 Ref. No. 233062 fan wheel D1 ø 145mm H1 42mm blades 20 D2 ø 8mm D3 ø 6x8mm H2 19mm

	
1	
GEV No.	601780 Ref. No. 233062
description	fan wheel D1 ø 145mm H1 42mm blades 20 D2 ø 8mm D3 ø 6x8mm H2 19mm

knobs

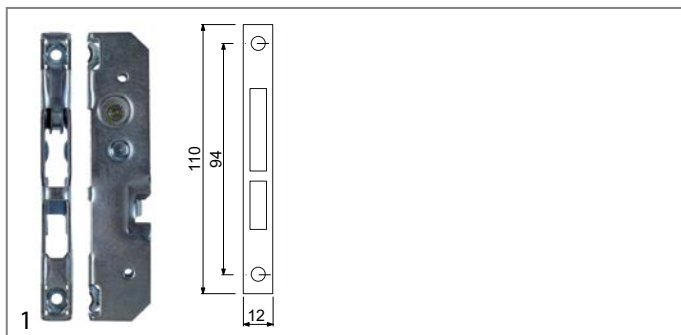
producer-specific knobs

GEMINI FORNI	
	
1	
GEV No.	111460 Ref. No. 233130
description	knob switch zero mark ø 41mm shaft ø 6x4.6mm shaft flat upper black



hinges

oven hinges



GEV No.	700003	Ref. No.	233029
description	opposite support L 110mm W 12mm mounting distance 94mm		

gaskets

gaskets for heated units

door seals with fixing hook



GEV No.	901481	Ref. No.	233067
description	oven gasket W 430mm with 6 mounting clips H 250mm		

C

cam switches 3

D

door seals with fixing hook 7

F

fans 6

G

gaskets for heated units 7

H

heating elements 3

heating elements for convection 3

hot air motors 6

I

indicator lights 4

indicator lights (complete) 4

L

lamps 4

light bulbs 4

M

mechanical timers 6

O

oven hinges 7

oven lamps 4

S

switches and momentary switches 3

T

thermostats 3

timers 6