



**GAS COMPONENTS**



**ELECTRIC COMPONENTS**



**WATER TECHNOLOGY**



**MECHANICAL COMPONENTS**



**TOOLS**

Spare parts suitable for

**GROEN**

Find the complete and up-to-date range of products in our GEV Webshop



# Manufacturer catalogue

The most important spare parts and accessories arranged clearly for every manufacturer

- ✓ Complete product range and all appliance data always up to date in the GEV Webshop
- ✓ Alphabetical Index at the end of the catalogue

## GEV Webshop

[www.gev-online.co.uk](http://www.gev-online.co.uk)

[www.gev-online.com](http://www.gev-online.com)



- 🔍 Add to Favourites
- 🔍 Sign In with email address and usual password
- 🔍 Easy-order – place several items in your basket at the same time
- 🔍 Quick Item search – no login needed



## switches and momentary switches

### rocker/momentary rocker switches


#### 19x13mm



<b>GEV No.</b>	301234	<b>Ref. No.</b>	1014109
<b>description</b>	rocker switch mounting measurements 19x13mm white 1NO 250V 10A connection male faston 4.8mm protection IP40		

#### 30x22mm



<b>GEV No.</b>	346361	<b>Ref. No.</b>	1014082
<b>description</b>	rocker switch mounting measurements 30x22mm white 2CO 250V 16A I-II connection male faston 6.3mm ambient temperature max. 85°C protection IP40		
<b>accessories for</b>	346361		
	<b>GEV No.</b>	301036	<b>Ref. No.</b>
			—
	protective cover internal size 30x22mm for rocker switch mounting measurementsmm		

### push/momentary push switches

#### 19x13mm



<b>GEV No.</b>	346457	<b>Ref. No.</b>	1014065
<b>description</b>	push switch mounting measurements 19x13mm without button		

## lamps

### fluorescent lamps

#### fluorescent lamps

##### G5



<b>GEV No.</b>	359384	<b>Ref. No.</b>	1012048
<b>description</b>	fluorescent lamp socket G5 L 287mm 8W 230V Qty 1 pcs		


##### G13



<b>GEV No.</b>	359386	<b>Ref. No.</b>	1012024
<b>description</b>	fluorescent lamp socket G13 L 1198mm 36W 230V Qty 1 pcs		


	<b>1</b>		
<b>GEV No.</b>	359385	<b>Ref. No.</b>	1012033
<b>description</b>	fluorescent lamp socket G13 L 360mm 14W 230V Qty 1 pcs		

	<b>1</b>		
<b>GEV No.</b>	359383	<b>Ref. No.</b>	1012023
<b>description</b>	fluorescent lamp socket G13 L 438mm 15W 230V Qty 1 pcs light colour 640		


	<b>1</b>		
<b>GEV No.</b>	359371	<b>Ref. No.</b>	1012026
<b>description</b>	fluorescent lamp socket G13 L 590mm 18W 230V Qty 1 pcs		


### accessories

#### starter

	<b>1</b>		
<b>GEV No.</b>	380464	<b>Ref. No.</b>	1085039
<b>description</b>	starter 4-65W		

#### ballasts

	<b>1</b>		
<b>GEV No.</b>	401440	<b>Ref. No.</b>	1033009
<b>description</b>	electrical ballast 15W 230V for fluorescent lamps		

	<b>1</b>		
<b>GEV No.</b>	401441	<b>Ref. No.</b>	1033038
<b>description</b>	electrical ballast 36-40W for fluorescent lamps		



## timers

## defrost timers

## miscellaneous



1

<b>GEV No.</b>	360189	<b>Ref. No.</b>	1086063
<b>description</b>	defrost timer defr. funct. 4x per 24h with delay of fan 5min		

## relays

## power relays

## with bracket mounting



1

<b>GEV No.</b>	380185	<b>Ref. No.</b>	1042007
<b>description</b>	power relays Italiana Relè 230VAC 30A 1NO connection F6.3 bracket mounting dimensions 36.5x32.2x51.8mm manuf. no. A10-230AC-FA		

## compressors

## EMBRACO / ASPERA

## R134A

## HBP monophase

*High evaporation temperature above -15°C*

1

<b>GEV No.</b>	605001	<b>Ref. No.</b>	4003006 4005008
<b>description</b>	compressor coolant R134a type NEK6170Z 220-240V 50Hz HBP fully hermetic 10.4kg 1/4HP cylinder capacity 8.4cm <sup>3</sup> CSIR H 187mmWWW 367W 461W 576W 714W 874W 1056W test method ASHRAE		

## fans

## refrigeration fans

## refrigeration motors universal

## IMPORT

## multi fit fan motors



1

<b>GEV No.</b>	601022	<b>Ref. No.</b>	4022501
<b>description</b>	fan motor 10W 230V 50-60Hz L1 44mm L2 54mm L3 85mm W 84mm cable length 500mm 1300rpm YZF10-20-18/26 5 mounting options bearing slide bearing		



1

<b>GEV No.</b>	601023	<b>Ref. No.</b>	4022503
<b>description</b>	fan motor 16W 230V 50-60Hz L1 45mm L2 61mm L3 92mm W 84mm cable length 500mm 1300rpm YZF16-25-18/26 5 mounting options bearing slide bearing		



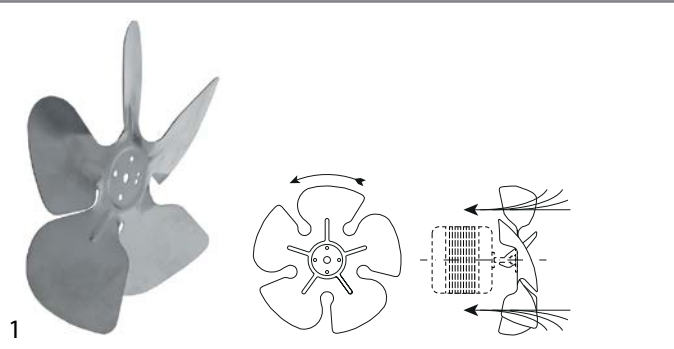
1

<b>GEV No.</b>	601020	<b>Ref. No.</b>	4022502
<b>description</b>	fan motor 5W 230V 50-60Hz L1 44mm L2 48mm L3 79mm W 84mm cable length 500mm 1300rpm YZF5-13-18/26 5 mounting options bearing slide bearing		

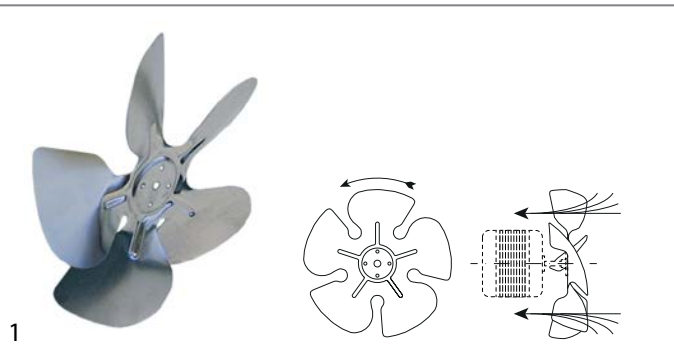
accessories

fan wheels

aluminium



<b>GEV No.</b>	601070	<b>Ref. No.</b>	4022029
<b>description</b>	fan wheel sucking ø 200mm fan wheel mounting 25.4mm blade angle 28° W 38mm aluminium		



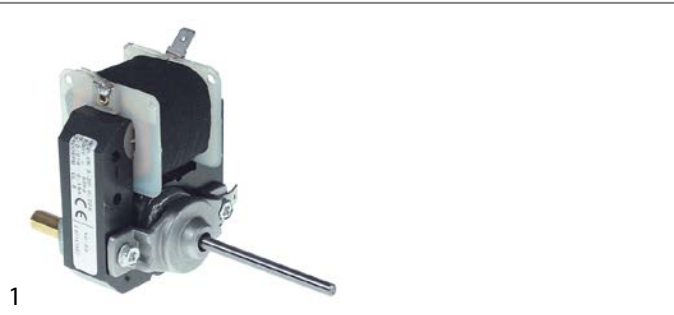
<b>GEV No.</b>	601071	<b>Ref. No.</b>	4022031
<b>description</b>	fan wheel sucking ø 230mm fan wheel mounting 25.4mm blade angle 25° W 37mm aluminium		

cold air circulating fans

cold air circulating fans



<b>GEV No.</b>	601160	<b>Ref. No.</b>	4022504
<b>description</b>	fan motor		



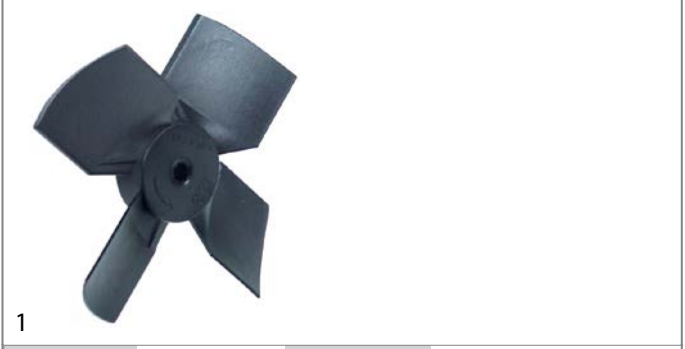
<b>GEV No.</b>	601275	<b>Ref. No.</b>	4022504
<b>description</b>	fan motor		



<b>GEV No.</b>	601373	<b>Ref. No.</b>	4022139
<b>description</b>	fan motor		

accessories

fan wheels for cold air circulating fans



<b>GEV No.</b>	601329	<b>Ref. No.</b>	G4022511
<b>description</b>	fan wheel blowing ø 100mm shaft intake ø 6mm W 19mm plastic		



<b>GEV No.</b>	601170	<b>Ref. No.</b>	4022505
<b>description</b>	impellor		

hot air motors



<b>GEV No.</b>	601275	<b>Ref. No.</b>	4022504
<b>description</b>	fan motor		

## shelves and shelf rails




### grates

#### universal

#### without upstand



1

<b>GEV No.</b>	970121	<b>Ref. No.</b>	0521265 S.C.
<b>description</b>	grate W 650mm D 530mm GN 2/1 chrome-plated steel crossing wires 2		
<b>accessories for</b>	970121		
	<b>GEV No.</b>	690330	<b>Ref. No.</b> —
	rack L 1000mm W 22mm H 4mm aperture 3x8mm hole distance 12.5mm stainless steel		
	<b>GEV No.</b>	694700	<b>Ref. No.</b> —
	shelf support L 31/28mm W 22mm H 18mm SS Qty 12 pcs		
	<b>GEV No.</b>	694701	<b>Ref. No.</b> —
	shelf support L 31/28mm W 22mm H 17mm SS with hook Qty 12 pcs		

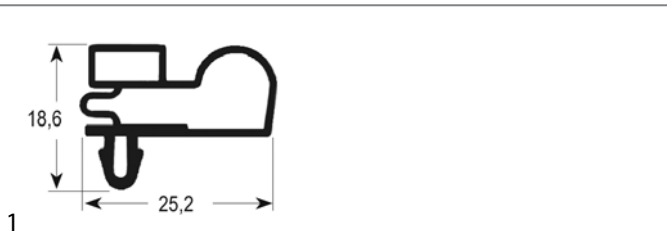
## gaskets

### refrigeration gaskets

#### plug-in gaskets

#### profile 9010

We offer custom-made gaskets for this profile



1

<b>GEV No.</b>	900523	<b>Ref. No.</b>	4512314
<b>description</b>	refrigeration gasket profile 9010 W 585mm L 1670mm plug size		

## measuring equipment

### thermometers

#### built-in thermometers



1

<b>GEV No.</b>	541414	<b>Ref. No.</b>	1088500
<b>description</b>	thermometer mounting measurements 62x11mm -40 up to +40°C capillary pipe 330mm probe ø 8.5mm probe L 22mm		

**B**

ballasts 3

**C**

cold air circulating fans 5

compressors 4

**D**

defrost timers 4

**F**

fans 4

fluorescent lamps 3,3

**G**

grates 6

**H**

hot air motors 5

**L**

lamps 3

**M**

measuring equipment 6

**P**

plug-in gaskets 6

push/momentary push switches 3

**R**

refrigeration fans 4

refrigeration gaskets 6

refrigeration motors universal 4

relays 4

rocker/momentary rocker switches 3

**S**

shelves and shelf rails 6

starter 3

switches and momentary switches 3

**T**

timers 4