



**GAS COMPONENTS**



**ELECTRIC COMPONENTS**



**WATER TECHNOLOGY**



**MECHANICAL COMPONENTS**



**TOOLS**

Spare parts suitable for

**HENNY-PENNY**

Find the complete and up-to-date range of products in our GEV Webshop



# Manufacturer catalogue

The most important spare parts and accessories arranged clearly for every manufacturer

- ✓ Complete product range and all appliance data always up to date in the GEV Webshop
- ✓ Alphabetical Index at the end of the catalogue

## GEV Webshop

[www.gev-online.co.uk](http://www.gev-online.co.uk)

[www.gev-online.com](http://www.gev-online.com)




- 🔍 Add to Favourites
- 🔍 Sign In with email address and usual password
- 🔍 Easy-order – place several items in your basket at the same time
- 🔍 Quick Item search – no login needed



## heating elements

### immersion heating elements

#### miscellaneous

 <p>1</p>			
<b>GEV No.</b>	417694	<b>Ref. No.</b>	44.00.194 HP44.00.194
<b>description</b>	heating element 9000W 230V heating circuits 3 L 192mm W 39mm H 68mm hole distance 90mm hole ø 8mm thermostat sleeves ø 2.5/6.5mm length thermostat sleeves 155mm number of thermostat sleeves 2 thermostat sleeve eccentric, clinging flange length 82mm flange width 82mm tube ø 6.5mm cable length 200mm immersion heater 5 hole flange		


## thermostats

### control and safety thermostats

#### INVENSYS / ROBERTSHAW



#### control thermostats

 <p>1</p>			
<b>GEV No.</b>	376035	<b>Ref. No.</b>	50016 HP50016
<b>description</b>	thermostat t.max. 121°C temperature range 15.5-121°C 1-pole 1NOA probe ø 8.4mm probe L 98mm capillary pipe 1130mm capillary pipe isolatedmm gland nut shaft ø 6x4.6mm shaft L 20mm shaft position right with extended shaft 60-250°F		

 <p>1</p>			
<b>GEV No.</b>	376034	<b>Ref. No.</b>	14293 HP14293
<b>description</b>	thermostat t.max. 204°C temperature range 93-204°C 1-pole 1NOA probe ø 8mm probe L 128mm capillary pipe 570mm capillary pipe isolatedmm gland nut 5/16" UNF shaft ø 6x4.6mm shaft L 20mm shaft position right 200-400°F		

## switches and momentary switches


### rocker/momentary rocker switches

<h4>30x22mm</h4>  <p>1</p>			
<b>GEV No.</b>	346377	<b>Ref. No.</b>	43768 6716594 72277
<b>description</b>	rocker switch mounting measurements 30x22mm black 2CO 230V 16A 0-I connection male faston 6.3mm ambient temperature max. 125/55°C protection IP40		
<b>accessories for</b>	346377		
	<b>GEV No.</b>	<b>Ref. No.</b>	—
	 protective cover internal size 30x22mm for rocker switch mounting measurementsmm		

## relays

### power relays

#### with bracket mounting

 <p>Image not available</p> <p>1</p>			
<b>GEV No.</b>	381155	<b>Ref. No.</b>	6716568 HPME90-003
<b>description</b>	power relays 12VDC 20A 2CO connection male faston 6.3mm bracket mounting 240V 2-pole		







## gas valves and ignition boxes

### gas control valves

#### ROBERTSHAW

##### electric controlled valves



1			
<b>GEV No.</b>	580044	<b>Ref. No.</b>	16216 HP16216
<b>description</b>	gas valve supply 120VAC 50/60Hz gas inlet 3/4" NPT gas outlet 3/4" NPT thermocouple connection 11/32" pilot connection 1/4" CCT type 7000BER-120 pressure controller natural gas 3.5" W.C. suitable for ROBERTSHAW		
<b>spare parts for</b>	580044		
	<b>GEV No.</b>	101047	<b>Ref. No.</b> —
	magnet unit T1: ASA 11/32 T2: M24x1 L 59mm ø 4mm suitable for ROBERTSHAW		
	<b>GEV No.</b>	101389	<b>Ref. No.</b> —
	pressure controller natural gas suitable for ROBERTSHAW		
	<b>GEV No.</b>	106109	<b>Ref. No.</b> —
	locking screw thread 7/16"-24 UNS for pipe ø 1/4" L 16mm brass Qty 1 pcs WS 7/16" (11.113mm) hole ø 6.4mm		
	<b>GEV No.</b>	580033	<b>Ref. No.</b> 16267 HP16267
	knob suitable for ROBERTSHAW		
<b>accessories for</b>	580044		
	<b>GEV No.</b>	102122	<b>Ref. No.</b> —
	thermocouple ROBERTSHAW ASA 11/32 L 18" - 455mm 7/16"		
	<b>GEV No.</b>	102277	<b>Ref. No.</b> —
	thermocouple ROBERTSHAW ASA 11/32 L 36" - 915mm 7/16"		

### gas controlled valves



1			
<b>GEV No.</b>	106923	<b>Ref. No.</b>	38276 HP38276
<b>description</b>	gas valve 60Hz type 7000BDER-S7A supply 24VAC		

## ignition parts

### pilot burners

#### ROBERTSHAW

##### pilot burners

##### universal series with electrodes

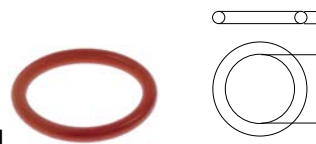


1			
<b>GEV No.</b>	106094	<b>Ref. No.</b>	140095 52075 HP140095 HP52075
<b>description</b>	pilot burner ROBERTSHAW type 6S14-2R 3 flames natural gas code 26 for pipe ø 1/4" CCT		

## gaskets

### O-rings

#### silicone



1			
<b>GEV No.</b>	532727	<b>Ref. No.</b>	10.00.512 HP10.00.512
<b>description</b>	O-ring silicone thickness 3.5mm ID ø 26mm Qty 5 pcs for model SCC, CM		



<b>GEV No.</b>	532728	<b>Ref. No.</b>	10.00.511 HP10.00.511
<b>description</b>	O-ring silicone thickness 3.5mm ID ø 46mm Qty 5 pcs for model SCC, CM		

## fastening material

### nuts

#### hexagonal nuts

#### hexagonal nuts inch thread

<b>GEV No.</b>	506399	<b>Ref. No.</b>	NS03018
<b>description</b>	nut thread 3/4" H 3mm WS 32 brass Qty 1 pcs		



**F**

fastening material 5

**G**

gas control valves 4

**H**

heating elements 3

hexagonal nuts 5

**I**

immersion heating elements 3

**N**

nuts 5

**O**

O-rings 4

**P**

pilot burners 4

**R**

relays 3

rocker/momentary rocker switches 3

**S**

switches and momentary switches 3

**T**

thermostats 3