



GAS COMPONENTS



ELECTRIC COMPONENTS



WATER TECHNOLOGY



MECHANICAL COMPONENTS



TOOLS

Spare parts suitable for

IZMAK

Find the complete and up-to-date range of products in our GEV Webshop



Manufacturer catalogue

The most important spare parts and accessories arranged clearly for every manufacturer

- ✓ Complete product range and all appliance data always up to date in the GEV Webshop
- ✓ Alphabetical Index at the end of the catalogue

GEV Webshop

www.gev-online.co.uk

www.gev-online.com




- 🔍 Add to Favourites
- 🔍 Sign In with email address and usual password
- 🔍 Easy-order – place several items in your basket at the same time
- 🔍 Quick Item search – no login needed





heating elements

heating elements for pizza ovens


			
1			
GEV No.	419122	Ref. No.	101013
description	heating element 1500W 230V L 890mm W 280mm thread M12x1.5 mounting distance 270mm connection length 110mm connection M4 tube ø 8mm heating circuits 1 dry heating element pizza oven		

heating plates

			
1			
GEV No.	420053	Ref. No.	BMC140-038 SHELZR125000 SHELZR1250000
description	hot plate 1250W heating circuits 1 cable length 1100mm H 3mm L 390mm W 190mm		
For models:	SB-H155		

			
1			
GEV No.	418898	Ref. No.	BMC038 BMC107-heating element SHELZR1500000
description	hot plate 1500W cable length 1100mm H 3mm L 390mm W 370mm		

foil heating elements

			
1			
GEV No.	420489	Ref. No.	SBHGN15Pos.20
description	foil heating element L 490mm W 290mm 1500W 230V with temperature limiter 140°C		

thermostats

control and safety thermostats

EGO

control thermostats

55.10/19_ series

			
1			
GEV No.	375247	Ref. No.	101001
description	thermostat t.max. 500°C temperature range 75-500°C 1-pole 1NO 16A probe ø 4mm probe L 228mm capillary pipe 900mm capillary pipe isolatedmm gland nut shaft ø 6x4.6mm shaft L 23mm shaft position upper rotation 270°		


55.17_ series

			
1			
GEV No.	390729	Ref. No.	SHELST01A100
description	thermostat t.max. 85°C 1-pole probe ø 6mm probe L 91mm capillary pipe 880mm capillary pipe isolatedmm gland nut shaft ø 6x4.6mm shaft L 16mm		
For models:	SB-H155		


switches and momentary switches

rocker/momentary rocker switches



30x11mm

			
1			
GEV No.	301038	Ref. No.	SHELWAYA100
description	rocker switch mounting measurements 30x11mm green 1NO/indicator light 250V 16A connection male faston 6.3mm		
For models:	SB-C155, SB-H155		




			
1			
GEV No.	301039	Ref. No.	101004
description	rocker switch mounting measurements 30x11mm red 1NO/indicator light 250V 16A connection male faston 6.3mm		

30x22mm

			
1			
GEV No.	301062	Ref. No.	BMC-026 SHELAWONA100
description	rocker switch mounting measurements 30x22mm green 2NO 250V 16A illuminated connection male faston 6.3mm ambient temperature max. 100/55°C protection IP40		
For models:	SB-C155, SB-H155		
accessories for	301062		
	GEV No.	301036	Ref. No. —
	protective cover internal size 30x22mm for rocker switch mounting measurementsmm		

rotary switches

LEGRAND

			
1			
GEV No.	347597	Ref. No.	101005
description			


lamps

indicator lights

indicator lights (complete)

ø10mm


with screw socket

			
1			
GEV No.	360481	Ref. No.	101003 SHELALISA100
description	indicator light ø 10mm 250V green cable length 300mm socket screw base		
For models:	SB-C155, SB-H155		

screw-on/push-on fit

light bulbs

for ovens

			
1			
GEV No.	359612	Ref. No.	101010
description	light bulb t.max. 300°C socket E14 25W 230V ø 25mm L 56mm lens L 30mm for oven lamp type Philips		


fluorescent lamps

fluorescent lamps

complete with holder

			
1			
GEV No.	357115	Ref. No.	SHELAR36A100
description	fluorescent lamp L 1224mm W 23mm 28W 220/240V type TCH128 1xTL5-28W/830 HF		
For models:	SB-C155, SB-H155		


			
1			
GEV No.	368000	Ref. No.	SLD-180-Pos.4+SLD-180-Pos.1
description	fluorescent lamp L 1755mm W 95mm 28W 230V complete		

			
1			
GEV No.	357028	Ref. No.	BMC+SLD-001 SB-C-GN220-004 SHELAR36A100
description	fluorescent lamp socket T8 L 1280mm W 35mm 36W ø 33.5mm 230V complete incl. holder		


oven lamps


producer-specific oven lamps

IZMAK

			
1			
GEV No.	694500	Ref. No.	101012
description	glass panel L 85mm W 85mm thickness 5mm		




			
1			
GEV No.	357098	Ref. No.	101011
description	lamp socket L 150mm socket E14 H 45mm mounting distance 124mm		

lamps			
light bulbs			
			
1			
GEV No.	359612	Ref. No.	101010
description	light bulb t.max. 300°C socket E14 25W 230V ø 25mm L 56mm lens L 30mm for oven lamp type Philips		

electronic controllers

DIXELL

refrigeration controllers			
built-in version			
			
1			
GEV No.	378267	Ref. No.	6234.00009.28 PRC/153/POS82 PR-C153-082 PR-C200-082 SLD-026
description	electronic controller DIXELL XR02CX-5N0C1 mounting measurements 71x29mm built-in depth 56mm 230V voltage AC NTC relay outputs 1 NO-20A(8) NTC DI protection IP54 defrosting function/time control -40 up to +110°C display 2½ digit		
For models:	PR-C153, PR-C200		
accessories for	378267		
	GEV No.	379161	Ref. No. —
	temperature probe NTC 10kOhm cable thermoplastic probe -40 up to +110°C cable -40 up to +110°C probe ø6x14mm cable length 3m without screw connection 2-wire		
	GEV No.	381249	Ref. No. —
	temperature probe NTC 10kOhm cable PVC probe -40 up to +110°C cable -10 up to 100°C connection 2-wire thread probe ø6x14mm cable length 3m		

compressors

EMBRACO / ASPERA

R134A			
LBP monophase			
<i>Lower evaporation temperature below -20°C</i>			
			
1			
GEV No.	605129	Ref. No.	PR-C153-072 PR-C200-072 SHSGKM0104A2
description	compressor coolant R134a type FF 8.5HBK 220-240V 50Hz LMBP cylinder capacity 7.95cm ³		
For models:	PR-C153, PR-C200, SB-C155		

fans

axial fans

import			
			
1			
GEV No.	601604 ¹	Ref. No.	PR-C153-057 PR-C200-057 SLD-030
description	axial fan L 119mm W 119mm H 38mm 230VAC 50/60Hz 17/15W bearing slide bearing manuf. no. AA1282HS-AT connection cable 300mm fan wheel ø 110mm temp.-resist. 70°C input current 0.1A airflow 130m ³ /h 2600rpm		
For models:	PR-C153, PR-C200		

¹with slide bearings




refrigeration fans

refrigeration motors universal

ELCO

N series - standard



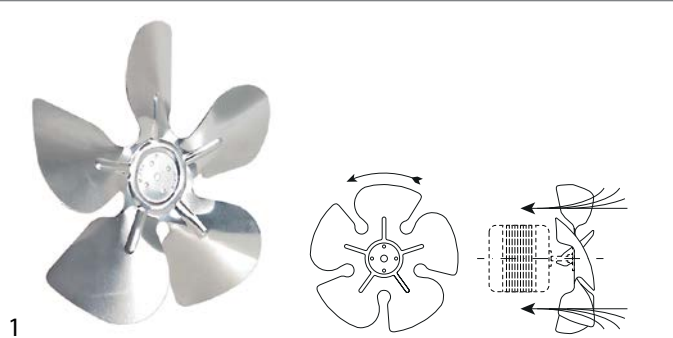
GEV No.	601966 ¹	Ref. No.	PR-C153-068
description	fan motor ELCO 18W 230V 50/60Hz bearing slide bearing L1 91mm L2 83mm L3mm W 83mm cable lengthmm 1300/1550rpm 5 mounting options VNT18-30/517		
For models:	PR-C153		
accessories for	601966		
	GEV No.	Ref. No.	—
	connector cable ELCO cable length 1500mm 0.75mm ² protection IP42 for Plug-In		

¹with coded connector

accessories

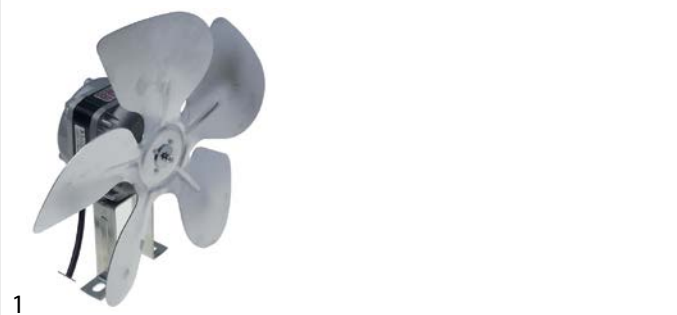
fan wheels

aluminium



GEV No.	601284	Ref. No.	PR-C153-066 PR-C200-066 SLD-033
description	fan wheel sucking ø 254mm fan wheel mounting 25.4mm blade angle 28° W 42mm aluminium		
For models:	PR-C153, PR-C200		

cooling motors (complete)



GEV No.	601702	Ref. No.	SHSGFM53A100
description	fan 230V 10W 50Hz fan wheel ø 254mm feet depth 84mm blade angle 28°		
For models:	SB-C155		

cooling motors (various)

refrigeration motors with foot

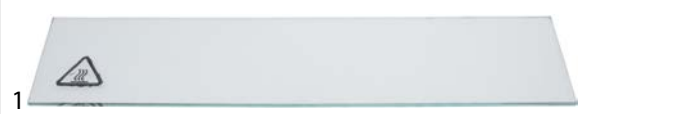


GEV No.	601703	Ref. No.	PR-C200-068 SLD-032
description	fan motor 10W 230V 50Hz feet depth 84mm cable length 500mm		
For models:	PR-C200		

equipment-specific units

for pizza ovens

glass panels



GEV No.	694501	Ref. No.	101006
description	glass panel L 525mm W 130mm thickness 5mm		




firebricks

			
1			
GEV No.	850122	Ref. No.	101020 PB-T 2620 fire brick
description	firebrick L 600mm W 300mm H 18-22mm delivery freight forwarding company only		

knobs

producer-specific knobs

IZMAK

			
1			
GEV No.	112630	Ref. No.	SHELSWTHA100
description	knob t.max. 90°C 30-90°C ø 43.5mm shaft ø 6x4.6mm shaft flat right black		
For models:	SB-C155, SB-H155		


			
1			
GEV No.	111452	Ref. No.	101002
description	knob zero mark ø 53mm shaft ø 6x4.6mm shaft flat upper red/black		

hinges

spring assisted hinges


producer-specific


IZMAK


			
1			
GEV No.	700980	Ref. No.	PRC153/POS30 PR-C153-030 PR-C200-030 SLD-023
description	spring assisted hinge left/right L 81mm W 25mm H 116mm for door mounting distance 30mm		
For models:	PR-C153, PR-C200		

door bearing

			
1			
GEV No.	700981	Ref. No.	PR-C153-093 PR-C200-093 SLD-024
description	bush H 17mm mounting pos. lower ø 12mm ID ø 8mm grey for door hinge		
For models:	PR-C153, PR-C200		

			
1			
GEV No.	700997	Ref. No.	PR-C153-021 PR-C200-021
description	hinge L 40mm W 39mm H 18mm mounting pos. left/right upper set		
For models:	PR-C153, PR-C200		

			
1			
GEV No.	700983	Ref. No.	PR-C153-022 PR-C200-022
description	hinge L 73mm W 40mm H 17mm mounting pos. bottom right thickness 3mm		
For models:	PR-C153, PR-C200		

			
1			
GEV No.	700982	Ref. No.	PR-C153-036 PR-C200-036
description	hinge L 73mm W 40mm mounting pos. bottom left thickness 3mm		
For models:	PR-C153, PR-C200		

pullouts

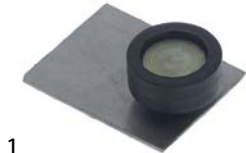
rollers

roller with holder



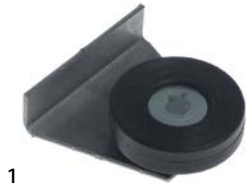
1

GEV No.	692153	Ref. No.	BMC-016
description	roller rollerø 20mm B1 8mm SS mounting pos. front-rear bearing slide bearing Qty 2 pcs H 13mm L 54mm tread plastic mounting distance mm		



1

GEV No.	692154	Ref. No.	BMC-017
description	roller rollerø 20mm B1 8mm SS mounting pos. rear-lower bearing slide bearing Qty 2 pcs L 41mm tread plastic mounting distance mm		



1

GEV No.	692151	Ref. No.	BMC-014
description	roller rollerø 30mm B1 8mm SS/plastic mounting pos. front-upper bearing slide bearing Qty 1 pcs H 12mm L 35mm mounting distance mm		



1

GEV No.	692152	Ref. No.	BMC-015
description	roller rollerø 30mm B1 8mm SS/plastic mounting pos. rear-upper bearing slide bearing Qty 2 pcs H 27mm L 32mm tread plastic mounting distance mm		

equipment feet and end caps

equipment feet

with fixing plate



1

GEV No.	701007	Ref. No.	PR-C153-035 PR-C200-035
description	equipment foot tube ø 64mm plate size 82x82mm hole distance 68x68mm H 100-150mm SS size 2 1/2" Qty 1 pcs		
For models:	PR-C153, PR-C200		

miscellaneous

with fixing plate

ø100mm



1

GEV No.	700978	Ref. No.	SHSMTKFR0100
description	swivel castor ø 100mm plates fixing 70x80mm hole distance 50/60mm bearing ball bearing H 135mm wheel width 31.5mm		
For models:	SB-C155, SB-H155		



1

GEV No.	700979	Ref. No.	SHSMTKFZ0100
description	swivel castor with swivel brake ø 100mm plates fixing 70x80mm hole distance 50/60mm bearing ball bearing H 135mm wheel width 31mm		
For models:	SB-C155, SB-H155		



shelves and shelf rails

grates

universal

without upstand



1

GEV No.	970726	Ref. No.	SL-D140-016
description	grate W 325mm D 530mm H 10mm plastic-coated steel wire gauge frame 6.6mm lengthwise wires gauge 4.6mm crossing wires 1 grey suitable for SL-D		



1

GEV No.	970725	Ref. No.	PR-C153-094 PR-C200-094
description	grate W 400mm D 630mm H 10mm plastic-coated steel wire gauge frame 6.6mm lengthwise wires gauge 4.5mm crossing wires 1 grey suitable for PRC153		
For models:	PR-C153, PR-C200		

shelf rails and supports

producer-specific



1

GEV No.	700986	Ref. No.	PR-C153-088 PR-C200-088
description	guide L-shape L 635mm W 18.5mm H 26mm mounting pos. left		
For models:	PR-C153, PR-C200		



1

GEV No.	700987	Ref. No.	PR-C153-089 PR-C200-089
description	guide L-shape L 635mm W 18.5mm H 26mm mounting pos. right		
For models:	PR-C153, PR-C200		



1

GEV No.	700984	Ref. No.	SLD-014
description	guide U-shape L 535mm W 13.5mm inner height 24mm mounting pos. left		



1

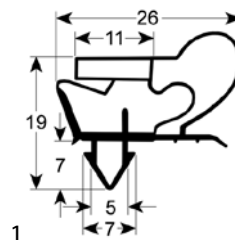
GEV No.	700985	Ref. No.	SLD-015
description	guide U-shape L 535mm W 13.5mm inner height 24mm mounting pos. right		

gaskets

refrigeration gaskets

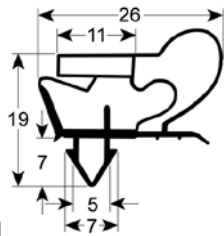
plug-in gaskets

profile 9049



1

GEV No.	901283	Ref. No.	SLD-020
description	refrigeration gasket profile 9049 W 418mm L 642mm plug size SL-D		




1

GEV No.	901284	Ref. No.	PRC153/POS26 PR-C153-026 PR-C200-026
description	refrigeration gasket profile 9049 W 475mm L 640mm plug size PRC153		
For models:	PR-C153, PR-C200		

condensers

condensers




1

GEV No.	750297	Ref. No.	PR-C153-052 PR-C200-052 SHSGKD0103A1
description	condenser W 335mm D 100mm H 290mm		
For models:	PR-C153, PR-C200, SB-C155		

springs

torsion springs



1

GEV No.	696497	Ref. No.	LID SPRING FOR PB-T 2920
description	door spring		

evaporators

for fridges

producer-specific



1

GEV No.	750296	Ref. No.	PR-C153-058 PR-C200-058
description	evaporator L 300mm W 75mm H 184mm		
For models:	PR-C153, PR-C200		



1

GEV No.	750389	Ref. No.	Evaporator set for PRC153 PR-C153-057-058-071
description	evaporator L 420mm W 395mm H 90mm		



valves and tank inlets

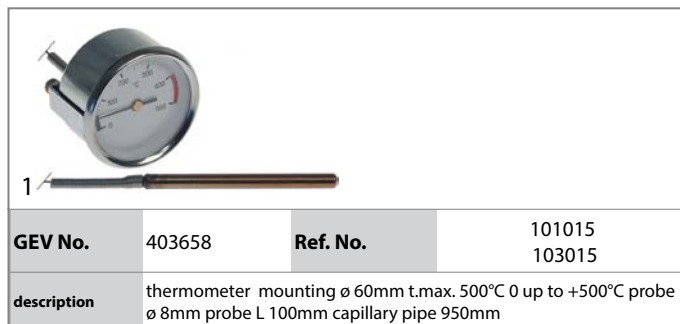
ball valves

universal

ball valves with lever handle



GEV No.	520281	Ref. No.	BMC-039 SHGMVN0304A1
description	ball valve connection 3/4" IT - 3/4" IT DN20 total length 56mm with lever handle handle length 87mm		
For models:	SB-C155, SB-H155		



GEV No.	403658	Ref. No.	101015 103015
description	thermometer mounting ø 60mm t.max. 500°C 0 up to +500°C probe ø 8mm probe L 100mm capillary pipe 950mm		

measuring equipment

thermometers

built-in thermometers

ø60mm



GEV No.	403636	Ref. No.	101016
description	thermometer mounting ø 60mm t.max. 500°C 0 up to +500°C probe ø 10mm probe L 55mm capillary pipe 600mm		

A			
axial fans		5	
B			
ball valves		11	
C			
castors and bumper angles		8	
compressors		5	
control thermostats		3	
E			
electronic controllers		5	
evaporators		10	
F			
fans		5	
fluorescent lamps		4,4	
foil heating elements		3	
G			
grates		9	
H			
heating elements		3	
heating elements for pizza ovens		3	
heating plates		3	
I			
indicator lights		4	
indicator lights (complete)		4	
L			
lamps		4	
light bulbs		4	
M			
measuring equipment		11	
O			
oven lamps		4	
P			
plug-in gaskets		9	
R			
refrigeration fans		6	
refrigeration gaskets		9	
refrigeration motors universal		6	
rocker/momentary rocker switches		3	
rotary switches		4	
S			
shelves and shelf rails		9	
spring assisted hinges		7	
switches and momentary switches		3	
T			
thermostats		3	
V			
valves and tank inlets		11	