



**GAS COMPONENTS**



**ELECTRIC COMPONENTS**



**WATER TECHNOLOGY**



**MECHANICAL COMPONENTS**



**TOOLS**

Spare parts suitable for

**MCC-TRADING-INTER-**

Find the complete and up-to-date range of products in our GEV Webshop



# Manufacturer catalogue

The most important spare parts and accessories arranged clearly for every manufacturer

- ✓ Complete product range and all appliance data always up to date in the GEV Webshop
- ✓ Alphabetical Index at the end of the catalogue

## GEV Webshop

[www.gev-online.co.uk](http://www.gev-online.co.uk)

[www.gev-online.com](http://www.gev-online.com)




- 🔍 Add to Favourites
- 🔍 Sign In with email address and usual password
- 🔍 Easy-order – place several items in your basket at the same time
- 🔍 Quick Item search – no login needed



## induction

### induction coils



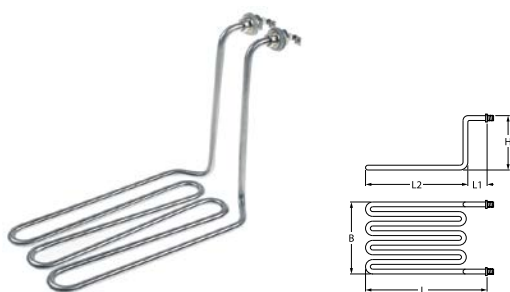
1

<b>GEV No.</b>	404010	<b>Ref. No.</b>	AD100087
<b>description</b>	induction coils $\phi$ 220mm H 10mm		
<b>For models:</b>	HIC3500		

## heating elements

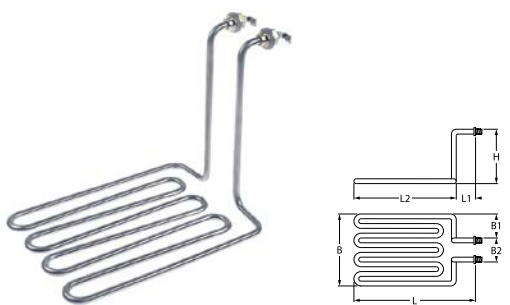
### heating elements for fryers

#### 2 hole fixing



1

<b>GEV No.</b>	417598	<b>Ref. No.</b>	1.07.HDF4140403 GDF1104-013
<b>description</b>	heating element 2500W 230V heating circuits 1 L 290mm W 130mm H 200mm L1 40mm L2 230mm tube $\phi$ 8mm		
<b>For models:</b>	HDF1104		




1

<b>GEV No.</b>	417599	<b>Ref. No.</b>	1.07.HDF8141903 HDF1108-013 HDF2128-013
<b>description</b>	heating element 3250W 230V heating circuits 1 thread M12x1.25 L 280mm W 190mm H 210mm L1 35mm L2 245mm W1 120mm W2 70mm tube $\phi$ 8mm connection M4		
<b>For models:</b>	HDF1108, HDF2128		

### heating elements for refrigeration


#### heating elements for defrosting



1

<b>GEV No.</b>	420518	<b>Ref. No.</b>	C01AA46A0007
<b>description</b>	heating element 500W 220V L 290mm W 96mm H 88mm cable length 400mm tube $\phi$ 8.5mm		
<b>For models:</b>	RN700		

#### miscellaneous



1

<b>GEV No.</b>	420491	<b>Ref. No.</b>	E24075121000
<b>description</b>	heating element 20W 230V L 225mm W 195mm H 2.5mm connection plug cable length 1000mm		
<b>For models:</b>	RN700		

### heating cables

#### connection on both sides


##### with male fastons




1

<b>GEV No.</b>	420492	<b>Ref. No.</b>	E24075104400
<b>description</b>	heating cable 10W 230V L 4400mm L1 (unheated) 500mm L2 (heated) 3900mm		
<b>For models:</b>	RC700, RN700		

### heating elements for convection



1

<b>GEV No.</b>	419243	<b>Ref. No.</b>	RES30033
<b>description</b>	heating element 2700W 230V heating circuits 1 ID $\phi$ 180mm ED $\phi$ 193mm L 208mm H 30mm L1 8mm W1 30mm H1 7mm H2 23mm flange length 70 no to be sold in Francemm flange width 22mm hole distance 56mm connection male faston 6.3mm tube $\phi$ 6.3mm convection heating element hole $\phi$ 5mm rectangular flange 70 x 22mm with screws		
<b>For models:</b>	HCO500		
<b>spare parts for</b>	419243		
	<b>GEV No.</b>	560102	<b>Ref. No.</b> —
	sheet metal screws $\phi$ 3.9mm L 9.5mm SS Qty 20 pcs DIN 7981/ISO 7049 head $\phi$ 7.5mm oval head		



## thermostats

## bi-metal thermostats

## bi-metal thermostats



1

<b>GEV No.</b>	390634	<b>Ref. No.</b>	TER30002
<b>description</b>	bi-metal thermostat hole distance 23.5mm switch-off temp. 145°C 1NC 1-pole 16A 250V connection F6.3 2 hole fixing		
<b>For models:</b>	HCO500		



1

<b>GEV No.</b>	391010	<b>Ref. No.</b>	E31A25001000
<b>description</b>	bi-metal thermostat hole distance 23.5mm switch-off temp. 25°C NC 1-pole 16A 230V connection coded plug		
<b>For models:</b>	RN700		

## control and safety thermostats

## EGO

## control thermostats

## 55.17\_series



1

<b>GEV No.</b>	391048	<b>Ref. No.</b>	TER30016
<b>description</b>	thermostat t.max. 292°C 1-pole 1NO probe ø 3mm probe L 182mm shaft ø 6x4.6mm shaft L 23mm shaft position upper° rotation 270° probe material SS with mounting accessories		
<b>For models:</b>	HCO500		

## various

## control thermostats



1

<b>GEV No.</b>	390968	<b>Ref. No.</b>	1.06.1851713 GDF1104-018 HDF1108-018 HDF2128-018
<b>description</b>	thermostatcontroller t.max. 185°C temperature range°C 2-pole 1NO 16A probe ø 6mm probe L 77mm capillary pipe 1500mm capillary pipe isolatedmm gland nut shaft ø 6x4.6mm shaft L 25mm shaft position upper rotation 270° probe material SS		
<b>For models:</b>	HDF1104, HDF1108, HDF2128		

## safety thermostats



1

<b>GEV No.</b>	390970	<b>Ref. No.</b>	1.06.230171301 GDF1104-005 HDF1108-005 HDF2128-005
<b>description</b>	safety thermostat switch-off temp. 230°C 2-pole 1NC 16A probe ø 5mm probe L 48mm capillary pipe 440mm capillary pipe isolated 150mm gland nut probe 250V model WQS-230		
<b>For models:</b>	HDF1104, HDF1108, HDF2128		

## refrigeration thermostats

## RANCO

## K50 series



1

<b>GEV No.</b>	376068	<b>Ref. No.</b>	A0804000066
<b>description</b>	thermostat RANCO type K50-L3459 probe ø 2mm probe L 110mm capillary pipe 1500mm		
<b>For models:</b>	HSC300N, HSC300N-Silver		



miscellaneous producers



<b>GEV No.</b>	390997	<b>Ref. No.</b>	DQWA0002 HSC350-18
<b>description</b>	thermostat probe ø 3.4mm probe Lmm capillary pipe 770mm type WPF11-L for fridge 1NO 230V 50/60Hz		
<b>For models:</b>	HSC350, HSC350B, HSC350DD, HSC350G, HSC350GB		



<b>GEV No.</b>	390972	<b>Ref. No.</b>	DQWA0010 HSC360-37
<b>description</b>	thermostat temperature range°C probe ø 10mm probe L 24mm capillary pipe 660mm type WPF-45270 hole distance 55mm		
<b>For models:</b>	HSC360, HSC360B, HSC360G, HSC360GB		

accessories

miscellaneous



<b>GEV No.</b>	698980	<b>Ref. No.</b>	B1301080407
<b>description</b>	button for thermostat hole ø 6x4.6mm thickness 6.25mm ø 23.5mm		
<b>For models:</b>	HSC300N, HSC300N-Silver		

switches and momentary switches

rocker/momentary rocker switches

28x10mm



<b>GEV No.</b>	347804	<b>Ref. No.</b>	DQKC0000 HBC1002-22 HBC2003-22
<b>description</b>	rocker switch mounting measurements 28x10mm red 1NO 250V 15A 0-I connection male faston 6.3mm ambient temperature max. 85°C protection IP40		

30x11mm



<b>GEV No.</b>	347350	<b>Ref. No.</b>	A0910000001
<b>description</b>	rocker switch mounting measurements 30x11mm black 1CO 250V 16A I O connection male faston 6.3mm ambient temperature max. 90°C protection IP40		
<b>For models:</b>	HSC300N, HSC300N-Silver		

30x22mm



<b>GEV No.</b>	347791	<b>Ref. No.</b>	1.1.A.A07.10 E2301GR00001
<b>description</b>	rocker switch mounting measurements 30x22mm green 2NO 230V 20A illuminated 0-I connection male faston 6.3mm ambient temperature max. 125/55°C protection IP65 with rubber collar		
<b>For models:</b>	HCV1100, HSA2600, RC700, RN700		

ø20mm



<b>GEV No.</b>	347803	<b>Ref. No.</b>	DQKA0000 HSC800-37
<b>description</b>	rocker switch mounting measurements 20mm red 1NO 250V 15A 0-I connection male faston 4.8mm ambient temperature max. 85°C protection IP40		
<b>For models:</b>	GSC1100G, HSC350, HSC350B, HSC350DD, HSC350G, HSC350GB, HSC360, HSC360B, HSC360G, HSC360GB, HSC800, HSC800G		



<b>GEV No.</b>	347802	<b>Ref. No.</b>	HSC350-37
<b>description</b>	rocker switch mounting ø 20mm red 1NO 250V 15A illuminated 0-I connection male faston 4.8mm ambient temperature max. 85°C protection IP40		

push/momentary push switches

19x13mm




<b>GEV No.</b>	348188	<b>Ref. No.</b>	E2307BK00001
<b>description</b>	push switch mounting measurements 19x13mm black 1NO 250V 10A connection F4.8		
<b>For models:</b>	RC700, RN700		



ø22mm



1

<b>GEV No.</b>	347819	<b>Ref. No.</b>	1.05.053512HY57
<b>description</b>	momentary push switch mounting ø 22mm red/green 1NO/1NC/indicator light 240V 10A ON-OFF connection screw ambient temperature max. 85°C protection IP65		
<b>For models:</b>	HVC1001		
<b>accessories for</b>	347819		
	<b>GEV No.</b>	358007	<b>Ref. No.</b> —
	protective cover external size 33x53mm internal size 30x50mm H 23mm		

## microswitches

## pin-plunger actuated

## miscellaneous



1

<b>GEV No.</b>	348187	<b>Ref. No.</b>	HVS1000-47 YJS820-47
<b>description</b>	microswitch 230V 1NO connection cable 400mm L 58mm L1 38mm		

## with push button

## switches with snap-fit



1

<b>GEV No.</b>	348173	<b>Ref. No.</b>	A0910000006
<b>description</b>	microswitch 230V 2.5A 1NO connection F4.8 L 24x27mm mounting distancemm type actuating force: 580g		
<b>For models:</b>	HSC300N, HSC300N-Silver		



1

<b>GEV No.</b>	346772	<b>Ref. No.</b>	E2306WH00001
<b>description</b>	microswitch with push button 250V 5A 1CO connection male faston 4.8mm L 24x27mm ambient temperature max. 85°C actuating force: 160g		
<b>For models:</b>	RC700, RN700		

## position switches

## METRO



1

<b>GEV No.</b>	348088	<b>Ref. No.</b>	1.05.035011HDFMS116 GDF1104-006 HDF1108-006 HDF2128-006
<b>description</b>	microswitch 1NO 250V 16A L 41mm W 12mm H 44mm actuating force: 250g		
<b>For models:</b>	HDF1104, HDF1108, HDF2128		

## magnetic switches

## accessories

## magnets




1

<b>GEV No.</b>	348242	<b>Ref. No.</b>	1.03.00010018
<b>description</b>	magnet ø 19.5mm H 2.8mm		

## magnetic holders



1

<b>GEV No.</b>	348241	<b>Ref. No.</b>	1.03.00010057
<b>description</b>	magnet holder with magnet internal size 19.5mm H 14mm thread M12 ø 24mm		
<b>For models:</b>	HVC1001		
<b>spare parts for</b>	348241		
	<b>GEV No.</b>	348242	<b>Ref. No.</b> 1.03.00010018
	magnet ø 19.5mm H 2.8mm		







## lamps

### indicator lights

#### indicator lights 2-piece (lens and indicator lamp)


##### indicator lamps for socket type RL


 <p>1</p>			
<b>GEV No.</b>	359818	<b>Ref. No.</b>	IND30009
<b>description</b>	indicator light 230V clear connection male faston 6.3mm		
<b>For models:</b>	HCO500		
<b>accessories for</b>	359818		
	<b>GEV No.</b>	359820	<b>Ref. No.</b> —
indicator light lens yellow Qty 1 pcs ø 8mm			
	<b>GEV No.</b>	359833	<b>Ref. No.</b> —
indicator light lens red Qty 1 pcs ø 8mm			
	<b>GEV No.</b>	359948	<b>Ref. No.</b> —
indicator light lens clear Qty 1 pcs ø 8mm			

#### indicator lights (complete)


##### ø14mm

##### with screw socket

 <p>1</p>			
<b>GEV No.</b>	360622	<b>Ref. No.</b>	1.03.00020013 GDF1104-009 HDF1108-009 HDF2128-009
<b>description</b>	indicator light ø 14mm green 220V connection male faston 4.8mm plastic		
<b>For models:</b>	HDF1104, HDF1108, HDF2128		


 <p>1</p>			
<b>GEV No.</b>	360621	<b>Ref. No.</b>	1.03.00020017 GDF1104-008 HDF1108-008 HDF2128-008
<b>description</b>	indicator light ø 14mm yellow 220V connection male faston 4.8mm plastic		
<b>For models:</b>	HDF1104, HDF1108, HDF2128		


##### 30x11mm


 <p>1</p>			
<b>GEV No.</b>	359160	<b>Ref. No.</b>	A0914000016
<b>description</b>	indicator light mounting measurements 30x11mm 230V green connection male faston 6.3mm rectangular temp.-resist. 125°C		
<b>For models:</b>	HSC300N, HSC300N-Silver		


## LED

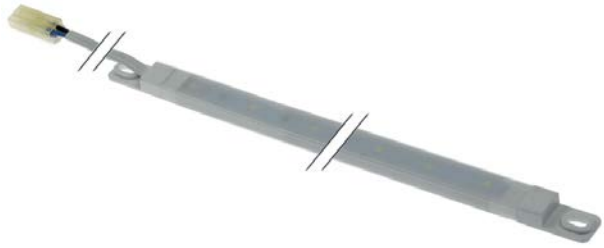
### LED bars

 <p>1</p>			
<b>GEV No.</b>	357257	<b>Ref. No.</b>	DQLED007
<b>description</b>	LED bar L 1100mm W 14.4mm H 7.5mm 24VDC white number of lamps 36 cable length 120mm		
<b>For models:</b>	HSC350DD, HSC350G, HSC350GB		

 <p>1</p>			
<b>GEV No.</b>	357256	<b>Ref. No.</b>	DQLED008
<b>description</b>	LED bar L 1200mm W 14.4mm H 7.5mm 24VDC white number of lamps 42 cable length 120mm		
<b>For models:</b>	GSC1100G, HSC360G, HSC360GB, HSC800G		

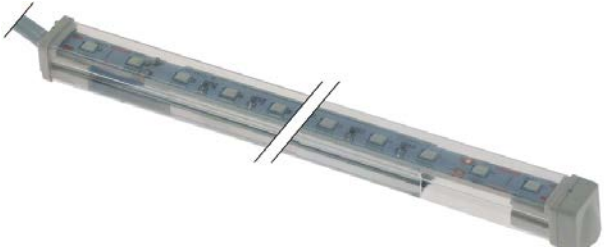
 <p>1</p>			
<b>GEV No.</b>	357245	<b>Ref. No.</b>	1.1.A.A01.09.65
<b>description</b>	LED bar L 344mm W 13mm H 13mmV white number of lamps 16 cable length 1030mm		
<b>For models:</b>	HCV1100		

 <p>1</p>			
<b>GEV No.</b>	357251	<b>Ref. No.</b>	DQLED066 HBC1002-29
<b>description</b>	LED bar L 400mm W 12mm H 12mm 24V blue number of lamps 30 cable length 280mm		
<b>For models:</b>	HBC1002		



1


<b>GEV No.</b>	357255	<b>Ref. No.</b>	DQLED011
<b>description</b>	LED bar L 400mm W 14.4mm H 7.5mm 24VDC white number of lamps 18 cable length 380mm		
<b>For models:</b>	HSC350DD, HSC350G, HSC350GB		



1

<b>GEV No.</b>	357241	<b>Ref. No.</b>	DQLED067 HBC2003-29
<b>description</b>	LED bar L 600mm W 11.5mm H 12.5mm 24V number of lamps 42 cable length 285mm voltage DC		
<b>For models:</b>	HBC2003, HBC2003G		

accessories




1

<b>GEV No.</b>	357246	<b>Ref. No.</b>	1.1.A.A01.10.04
<b>description</b>	power supply primary 85-265V secondary 0.2A Qty 1 pcs		
<b>For models:</b>	HCV1100		

fluorescent lamps


fluorescent lamps

G5



1

<b>GEV No.</b>	357156	<b>Ref. No.</b>	DQDA0009
<b>description</b>	fluorescent lamp socket G5 L 285mm 8W ø 16mm 230V T5/865 Qty 1 pcs		



1


<b>GEV No.</b>	357148	<b>Ref. No.</b>	DQDA0010
<b>description</b>	fluorescent lamp socket G5 L 547mm 14W ø 16mm 230V T5/865 Qty 1 pcs		

G13




1

<b>GEV No.</b>	357254	<b>Ref. No.</b>	A0902000002
<b>description</b>	fluorescent lamp socket G13 L 436mm 15W ø 25mm 230V Qty 1 pcs light colour 865		
<b>For models:</b>	HSC300N, HSC300N-Silver		



1

<b>GEV No.</b>	357145	<b>Ref. No.</b>	DQDA0012 HSC350-31
<b>description</b>	fluorescent lamp socket G13 L 438mm 15W ø 27mm 230V Qty 1 pcs light colour 865		
<b>For models:</b>	HSC350, HSC350B		




1

<b>GEV No.</b>	357146	<b>Ref. No.</b>	DQDA0007 HSC350-24 HSC800-26
<b>description</b>	fluorescent lamp socket G13 L 895mm 30W ø 26mm 230V T8/765 Qty 1 pcs		
<b>For models:</b>	HSC350, HSC350B, HSC800		

accessories

sockets



1

<b>GEV No.</b>	381169	<b>Ref. No.</b>	HSC800-30 SLJY2010
<b>description</b>	lamp holder socket G13 L 26.5mm W 24.5mm Qty 1 pcs for fluorescent lamps		
<b>For models:</b>	HSC800		




1

<b>GEV No.</b>	381412	<b>Ref. No.</b>	A0905000002
<b>description</b>	lamp holder socket G13 L 26.5mm W 24.5mm Qty 1 pcs for fluorescent lamps		
<b>For models:</b>	HSC300N, HSC300N-Silver		






 <p>1</p>			
<b>GEV No.</b>	381413	<b>Ref. No.</b>	HSC350-28 HSC360-28 SLZA2000
<b>description</b>	lamp socket socket G13 L 37.5mm W 28.5mm Qty 1 pcs for fluorescent lamps		
<b>For models:</b>	HSC350, HSC350B, HSC360, HSC360B, HSC800		


starter holders


 <p>1</p>			
<b>GEV No.</b>	381170	<b>Ref. No.</b>	HSC350-34 HSC360-08 HSC800-35 SLZA1000
<b>description</b>	starter holder L 32mm W 24mm housing ø 23mm Qty 1 pcs		
<b>For models:</b>	HSC350, HSC350B, HSC360, HSC360B, HSC800		


starter


 <p>1</p>			
<b>GEV No.</b>	380464	<b>Ref. No.</b>	A0909000002 DQDF0000 HSC350-33 HSC360-09
<b>description</b>	starter 4-65W		
<b>For models:</b>	HSC300N, HSC300N-Silver, HSC350, HSC350B, HSC360, HSC360B, HSC800		


ballasts

 <p>1</p>			
<b>GEV No.</b>	403690	<b>Ref. No.</b>	A0908000001
<b>description</b>	electrical ballast 15W 220-240V connection screw clamp for fluorescent lamps type 9.26.53.315 Qty 1 pcs		
<b>For models:</b>	HSC300N, HSC300N-Silver		


 <p>1</p>			
<b>GEV No.</b>	403192	<b>Ref. No.</b>	DQZB0005
<b>description</b>	electrical ballast 15W 220-240V connection screw clamp for fluorescent lamps type JF-1595M Qty 1 pcs		


 <p>1</p>			
<b>GEV No.</b>	403190	<b>Ref. No.</b>	DQZA0027 HSC800-31
<b>description</b>	electrical ballast 30W 220-240V connection screw clamp for fluorescent lamps type JF-3095W Qty 1 pcs		

 <p>1</p>			
<b>GEV No.</b>	358134	<b>Ref. No.</b>	DQZA0024 HSC360-06
<b>description</b>	electrical ballast 76W 230V connection screw clamp for fluorescent lamps type JF-1595W Qty 1 pcs		
<b>For models:</b>	HSC360, HSC360B, HSC800		


 <p>1</p>			
<b>GEV No.</b>	403191	<b>Ref. No.</b>	DQZB0029
<b>description</b>	electrical ballast 9W 220V connection screw clamp for fluorescent lamps type JF-995M Qty 1 pcs		


covers


 <p>1</p>			
<b>GEV No.</b>	551330	<b>Ref. No.</b>	B1301010379
<b>description</b>	cover L 43mm W 30mm H 38mm cover		
<b>For models:</b>	HSC300N, HSC300N-Silver		



 <p>1</p>			
<b>GEV No.</b>	698982	<b>Ref. No.</b>	B1301000176
<b>description</b>	cover L 457mm W 45mm H 38mm transparent		
<b>For models:</b>	HSC300N, HSC300N-Silver		





1			
<b>GEV No.</b>	699314	<b>Ref. No.</b>	SLZV0017
<b>description</b>	cover L 510mm W 30mm H 30mm		


1			
<b>GEV No.</b>	694873	<b>Ref. No.</b>	HSC350-40 SLSE2008
<b>description</b>	cover L 590mm W 280mm H 1mm		
<b>For models:</b>	HSC350, HSC350DD, HSC350G		


1			
<b>GEV No.</b>	699312	<b>Ref. No.</b>	SLZV0018
<b>description</b>	cover L 810mm W 30mm H 30mm transparent		
<b>For models:</b>	HBC1002		

1				
<b>GEV No.</b>	694874	<b>Ref. No.</b>	HSC350-38 SLZQ0037	
<b>description</b>	cover set mounting pos. left/right W 82mm H 280mm D 34			
<b>For models:</b>	GSC1100G, HSC350, HSC350DD, HSC350G, HSC800, HSC800G			
<b>spare parts for</b>	694874			
	<b>GEV No.</b>	692393	<b>Ref. No.</b>	—
bezel for cover mounting pos. right/left W 82mm H 280mm D 34mm plastic Qty 1 pcs				
	<b>GEV No.</b>	692394	<b>Ref. No.</b>	—
bezel for cover mounting pos. left W 82mm H 280mm D 34mm plastic Qty 1 pcs				

1			
<b>GEV No.</b>	694872	<b>Ref. No.</b>	HSC350-36 SLJV2040
<b>description</b>	cover support L 610mm W 20mm H 55mm mounting pos. lower		
<b>For models:</b>	HSC350, HSC350DD, HSC350G		

1			
<b>GEV No.</b>	694871	<b>Ref. No.</b>	HSC350-41 SLJV2041
<b>description</b>	cover support L 610mm W 20mm H 55mm mounting pos. upper		
<b>For models:</b>	HSC350, HSC350DD, HSC350G		


1			
<b>GEV No.</b>	699307	<b>Ref. No.</b>	HSC360-24 SLZE0061
<b>description</b>	end cap L 60mm W 40mm H 10mm for lamp		
<b>For models:</b>	HSC360, HSC360B		

1			
<b>GEV No.</b>	694870	<b>Ref. No.</b>	HSC350-23 SLJY2016
<b>description</b>	housing L 131.5mm W 45mm H 40mm		
<b>For models:</b>	HSC350, HSC350B		

## fridge lamps

### producer-specific fridge lamps


#### RWA

1			
<b>GEV No.</b>	698879	<b>Ref. No.</b>	E22AC0080015
<b>description</b>	LED lamp 1.5W 12V L 75mm W 32mm H 28mm cable length 100mm Qty 1 pcs		
<b>For models:</b>	RC700, RN700		

## oven lamps

### universal oven lamps


#### mounting diameter 35.5mm

1			
<b>GEV No.</b>	357176	<b>Ref. No.</b>	LAM30006
<b>description</b>	oven lamp mounting ø 35.5mm 230V 40W socket G9 temp.-resist. 300°C connection cable 100mm hard glas		
<b>For models:</b>	HCO500		



## timers


### mechanical timers


			
1			
<b>GEV No.</b>	350130	<b>Ref. No.</b>	PRG30001
<b>description</b>	timer M11 with bell 1-pole operation time 120min impulse mechanical 1NO at 250V 16A permanent position yes shaft $\phi$ 6x4.6mm shaft L 23mm mounting distance 28mm mounting thread M4 connection male faston 6.3mm 4 hole fixing shaft flat upper		
<b>For models:</b>	HCO500		

## relays

### power relays

#### with bracket mounting

			
1			
<b>GEV No.</b>	381252	<b>Ref. No.</b>	1.03.00010026 HDF1108-021 HDF2128-021
<b>description</b>	relay OMRON 230VAC 25A 2NO connection male faston 6.3mm bracket mounting at 250V 25A manuf. no. G7L-2A-TUB 230VAC		
<b>For models:</b>	HDF1108, HDF2128		

			
1			
<b>GEV No.</b>	380867	<b>Ref. No.</b>	DQWBZJ02 HSC800-22
<b>description</b>	relay SHANGFANG 12VDC 30A 1NO connection male faston 6.3mm screw mounting at 250V 30A manuf. no. 855AW-1A-C1		
<b>For models:</b>	GSC1100G, HSC800, HSC800G		

## transformers


### open transformers

#### with clamp terminal


			
1			
<b>GEV No.</b>	403691	<b>Ref. No.</b>	A0904000014
<b>description</b>	transformer primary 230VAC secondary 54VAC secondary 1.6A connection screw		
<b>For models:</b>	HSC300N, HSC300N-Silver		

### encapsulated transformers


#### PMA

			
1			
<b>GEV No.</b>	379054	<b>Ref. No.</b>	HSC800-23
<b>description</b>	transformer primary 230VAC secondary 12VAC 3VA secondary 0.25A H 40mm L 45mm W 50mm connection screw 50/60Hz type 153/M		


### power supplies

			
1			
<b>GEV No.</b>	530625	<b>Ref. No.</b>	E26A10120050
<b>description</b>	power supply primary 100-240VAC secondary 12VDC 5VA secondary 0.42A H 20mm L 55mm W 40mm 50/60Hz		
<b>For models:</b>	RC700, RN700		

### miscellaneous

			
1			
<b>GEV No.</b>	403660	<b>Ref. No.</b>	DQLED069 HBC1002-18 HBC2003-18
<b>description</b>	transformer primary 100-240V secondary 24VDC 20VA secondary 0.84A		
<b>For models:</b>	HBC1002, HBC2003, HBC2003G		



			
1			
<b>GEV No.</b>	403867	<b>Ref. No.</b>	DQLED042 DQLED055
<b>description</b>	transformer primary 100-240V secondary 24VDC secondary 0.42A H 25mm L 95mm W 40mm		
<b>For models:</b>	GSC1100G, HSC350DD, HSC350G, HSC350GB, HSC360G, HSC360GB, HSC800G		









			
71 x 29mm			
1			
<b>GEV No.</b>	378267	<b>Ref. No.</b>	E20A111C0D00 E20A111C4D00
<b>description</b>	electronic controller DIXELL XR02CX-5N0C1 mounting measurements 71x29mm built-in depth 56mm 230V voltage AC NTC relay outputs 1 NO-20A(8) NTC DI protection IP54 defrosting function/time control -40 up to +110°C display 2½ digit		
<b>For models:</b>	HFR2600G, HSA2600, RC700		
<b>accessories for</b>	378267		
	<b>GEV No.</b>	379161	<b>Ref. No.</b> —
	temperature probe NTC 10kOhm cable thermoplastic probe -40 up to +110°C cable -40 up to +110°C probe ø6x14mm cable length 3m without screw connection 2-wire		
	<b>GEV No.</b>	381249	<b>Ref. No.</b> —
	temperature probe NTC 10kOhm cable PVC probe -40 up to +110°C cable -10 up to 100°C connection 2-wire thread probe ø6x14mm cable length 3m		


electronic controllers

DIXELL

refrigeration controllers

built-in version




			
1			
<b>GEV No.</b>	378256	<b>Ref. No.</b>	RC600.34 RN600.27
<b>description</b>	electronic controller DIXELL XR02CX-5N0C0 mounting measurements 71x29mm built-in depth 56mm 230V voltage AC NTC relay outputs 1 CO-8A(4) NTC protection IP54 defrosting function/time control -40 up to +110°C display 2½ digit		
<b>For models:</b>	HFR2600, HRE2600		
<b>spare parts for</b>	378256		
	<b>GEV No.</b>	379161	<b>Ref. No.</b> —
	temperature probe NTC 10kOhm cable thermoplastic probe -40 up to +110°C cable -40 up to +110°C probe ø6x14mm cable length 3m without screw connection 2-wire		
<b>accessories for</b>	378256		
	<b>GEV No.</b>	378194	<b>Ref. No.</b> —
	temperature probe NTC 10kOhm cable PVC probe -20 up to +80°C cable -10 up to 100°C probe ø7x24.5mm cable length 1.5m without screw connection 2-wire		
	<b>GEV No.</b>	379057	<b>Ref. No.</b> —
	temperature probe NTC 10kOhm cable PVC probe -20 up to +80°C cable -10 up to 100°C probe ø6x25mm cable length 3m 2-wire		
	<b>GEV No.</b>	379160	<b>Ref. No.</b> E21010150001
	temperature probe NTC 10kOhm cable thermoplastic probe -40 up to +110°C cable -40 up to +110°C probe ø6x14mm cable length 1.5m without screw connection 2-wire		
	<b>GEV No.</b>	379161	<b>Ref. No.</b> —
	temperature probe NTC 10kOhm cable thermoplastic probe -40 up to +110°C cable -40 up to +110°C probe ø6x14mm cable length 3m without screw connection 2-wire		
	<b>GEV No.</b>	379343	<b>Ref. No.</b> —
	temperature probe NTC 10kOhm cable silicone probe -40 up to +110°C cable -50 up to +180°C probe ø6x40mm cable length 3m 2-wire		
	<b>GEV No.</b>	379458	<b>Ref. No.</b> —
	temperature probe NTC 10kOhm cable silicone probe -40 up to +110°C cable -50 up to +180°C probe ø6x40mm cable length 1.5m without screw connection 2-wire		

			
1			
<b>GEV No.</b>	378535	<b>Ref. No.</b>	E20A113F0D00
<b>description</b>	electronic controller DIXELL XR06CX-5R0C1 mounting measurements 71x29mm 230V voltage AC NTC relay outputs 3 NO-20A(8) CO-8A(3) NO-5A(2) NTC NTC DI protection IP54 0 up to +60°C display 2½ digit		
<b>For models:</b>	RN700		

SHANGFANG







refrigeration controllers


built-in version


			
1			
<b>GEV No.</b>	379799 <sup>1</sup>	<b>Ref. No.</b>	DQWBZX02 HSC800-52
<b>description</b>	electronic controller SHANGFANG type SF-104S-2 mounting measurements 71x29mm 12V voltage AC NTC relay outputs 2 12VDC 12VDC NTC front measurements 77x35mm built-in depth 40mm protection IP54 accuracy 1% built-in version alarm without accessories defr. funct. yes -45 up to +45°C display 3 digits		
<b>For models:</b>	GSC1100G, HSC800, HSC800G		
<b>spare parts for</b>	379799		
	<b>GEV No.</b>	379054	<b>Ref. No.</b> HSC800-23
	transformer primary 230VAC secondary 12VAC 3VA secondary 0.25A H 40mm L 45mm W 50mm connection screw 50/60Hz type 153/M		
	<b>GEV No.</b>	380867	<b>Ref. No.</b> DQWBZJ02 HSC800-22
	relay SHANGFANG 12VDC 30A 1NO connection male faston 6.3mm screw mounting at 250V 30A manuf. no. 855AW-1A-C1		

<sup>1</sup>without relay, cable harness, probe and transformer  
Table continues overleaf





<b>spare parts for</b> 379799				
	GEV No.	381318	Ref. No.	—
	temperature probe NTC cable silicone cable colours white cable length 3m probe -40 up to +110°C cable -50 up to +180°C probe ø7x25mm coded plug			
	GEV No.	381319	Ref. No.	—
	temperature probe NTC cable silicone cable colours black cable length 3m evaporator probe -40 up to +110°C cable -50 up to +180°C probe ø7x25mm coded plug			
<b>accessories for</b> 379799				
	GEV No.	379054	Ref. No.	HSC800-23
	transformer primary 230VAC secondary 12VAC 3VA secondary 0.25A H 40mm L 45mm W 50mm connection screw 50/60Hz type 153/M			
	GEV No.	380867	Ref. No.	DQWBZJ02 HSC800-22
	relay SHANGFANG 12VDC 30A 1NO connection male faston 6.3mm screw mounting at 250V 30A manuf. no. 855AW-1A-C1			
	GEV No.	381318	Ref. No.	—
	temperature probe NTC cable silicone cable colours white cable length 3m probe -40 up to +110°C cable -50 up to +180°C probe ø7x25mm coded plug			
	GEV No.	381319	Ref. No.	—
	temperature probe NTC cable silicone cable colours black cable length 3m evaporator probe -40 up to +110°C cable -50 up to +180°C probe ø7x25mm coded plug			

<b>spare parts for</b> 379849				
	GEV No.	380867	Ref. No.	DQWBZJ02 HSC800-22
	relay SHANGFANG 12VDC 30A 1NO connection male faston 6.3mm screw mounting at 250V 30A manuf. no. 855AW-1A-C1			
	GEV No.	381318	Ref. No.	—
	temperature probe NTC cable silicone cable colours white cable length 3m probe -40 up to +110°C cable -50 up to +180°C probe ø7x25mm coded plug			
	GEV No.	381319	Ref. No.	—
	temperature probe NTC cable silicone cable colours black cable length 3m evaporator probe -40 up to +110°C cable -50 up to +180°C probe ø7x25mm coded plug			
<b>accessories for</b> 379849				
	GEV No.	379054	Ref. No.	HSC800-23
	transformer primary 230VAC secondary 12VAC 3VA secondary 0.25A H 40mm L 45mm W 50mm connection screw 50/60Hz type 153/M			
	GEV No.	380867	Ref. No.	DQWBZJ02 HSC800-22
	relay SHANGFANG 12VDC 30A 1NO connection male faston 6.3mm screw mounting at 250V 30A manuf. no. 855AW-1A-C1			
	GEV No.	381318	Ref. No.	—
	temperature probe NTC cable silicone cable colours white cable length 3m probe -40 up to +110°C cable -50 up to +180°C probe ø7x25mm coded plug			
	GEV No.	381319	Ref. No.	—
	temperature probe NTC cable silicone cable colours black cable length 3m evaporator probe -40 up to +110°C cable -50 up to +180°C probe ø7x25mm coded plug			





<b>built-in version 2-piece</b>				
				
1				
GEV No.	378531	Ref. No.	HBC1002-19 HBC2003-19	
description	electronic controller SHANGFANG type SF-101S mounting measurements 71x29mm 230V voltage AC NTC relay outputs 1 NO-30A NTC Comp front measurements 77x35mm built-in depth 40mm protection IP54 accuracy 1% built-in version alarm incl. relay, cable harness, probe and transformer defr. funct. yes -45 up to +45°C display 3 digits			

				
71 x 29mm				
1				
GEV No.	403074 <sup>1</sup>	Ref. No.	DQWB0002	
description	electronic controller SHANGFANG type SF-104S-2 mounting measurements 71x29mm 230V voltage AC NTC relay outputs 2 NO-30A NO-30A NTC NTC front measurements 77x35mm built-in depth 38mm protection IP54 accuracy 1% built-in version alarm incl. relay, cable harness, probe and transformer defr. funct. yes -45 up to +45°C display 2½ digit			
For models:	GSC1100G, HBC1002, HBC2003, HBC2003G, HSC800			
<b>spare parts for</b> 403074				
	GEV No.	379054	Ref. No.	HSC800-23
	transformer primary 230VAC secondary 12VAC 3VA secondary 0.25A H 40mm L 45mm W 50mm connection screw 50/60Hz type 153/M			
	GEV No.	380867	Ref. No.	DQWBZJ02 HSC800-22
	relay SHANGFANG 12VDC 30A 1NO connection male faston 6.3mm screw mounting at 250V 30A manuf. no. 855AW-1A-C1			
	GEV No.	381318	Ref. No.	—
	temperature probe NTC cable silicone cable colours white cable length 3m probe -40 up to +110°C cable -50 up to +180°C probe ø7x25mm coded plug			
	GEV No.	381319	Ref. No.	—
	temperature probe NTC cable silicone cable colours black cable length 3m evaporator probe -40 up to +110°C cable -50 up to +180°C probe ø7x25mm coded plug			

				
71 x 29mm				
1				
GEV No.	379849 <sup>1</sup>	Ref. No.	DQWB0005	
description	electronic controller SHANGFANG type SF-101S mounting measurements 71x29mm 230V voltage AC NTC relay outputs 1 NO-30A NTC Comp front measurements 77x35mm built-in depth 40mm protection IP54 accuracy 1% built-in version alarm incl. relay, cable harness, probe and transformer defr. funct. yes -45 up to +45°C display 3 digits			
For models:	HBC1002, HBC2003			
<b>spare parts for</b> 379849				
	GEV No.	379054	Ref. No.	HSC800-23
	transformer primary 230VAC secondary 12VAC 3VA secondary 0.25A H 40mm L 45mm W 50mm connection screw 50/60Hz type 153/M			


<sup>1</sup>incl. relay, cable harness, probe and transformer

<sup>1</sup>incl. relay, cable harness, probe and transformer  
Table continues overleaf


<b>accessories for</b> 403074			
	<b>GEV No.</b>	379054	<b>Ref. No.</b> HSC800-23
transformer primary 230VAC secondary 12VAC 3VA secondary 0.25A H 40mm L 45mm W 50mm connection screw 50/60Hz type 153/M			
	<b>GEV No.</b>	380867	<b>Ref. No.</b> DQWBZJ02 HSC800-22
relay SHANGFANG 12VDC 30A 1NO connection male faston 6.3mm screw mounting at 250V 30A manuf. no. 855AW-1A-C1			
	<b>GEV No.</b>	381318	<b>Ref. No.</b> —
temperature probe NTC cable silicone cable colours white cable length 3m probe -40 up to +110°C cable -50 up to +180°C probe ø7x25mm coded plug			
	<b>GEV No.</b>	381319	<b>Ref. No.</b> —
temperature probe NTC cable silicone cable colours black cable length 3m evaporator probe -40 up to +110°C cable -50 up to +180°C probe ø7x25mm coded plug			

accessories

			
1			
<b>GEV No.</b>	380867	<b>Ref. No.</b>	DQWBZJ02 HSC800-22
<b>description</b>	relay SHANGFANG 12VDC 30A 1NO connection male faston 6.3mm screw mounting at 250V 30A manuf. no. 855AW-1A-C1		
<b>For models:</b>	GSC1100G, HSC800, HSC800G		

			
1			
<b>GEV No.</b>	379054	<b>Ref. No.</b>	HSC800-23
<b>description</b>	transformer primary 230VAC secondary 12VAC 3VA secondary 0.25A H 40mm L 45mm W 50mm connection screw 50/60Hz type 153/M		


accessories universal for electronic con-

			
1			
<b>GEV No.</b>	698934	<b>Ref. No.</b>	1.1.C.C34.03
<b>description</b>	bracket L 77mm W 28mm H 37mm electronic controllers		
<b>For models:</b>	HCV1100		


probes

universal probes

temperature probes


			
1			
<b>GEV No.</b>	379160	<b>Ref. No.</b>	E21010150001
<b>description</b>	temperature probe NTC 10kOhm cable thermoplastic probe -40 up to +110°C cable -40 up to +110°C probe ø6x14mm cable length 1.5m without screw connection 2-wire		
<b>For models:</b>	HSA2600, RC700, RN700		

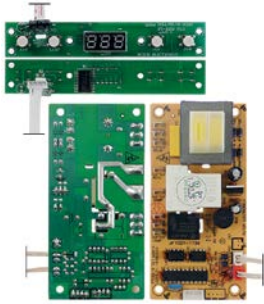
sensors

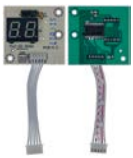
			
1			
<b>GEV No.</b>	403155	<b>Ref. No.</b>	DQD010010R
<b>description</b>	sensor for induction device ø 25mm H 17mm cable length 130mm		
<b>For models:</b>	HIC3500		

electronics

PCBs

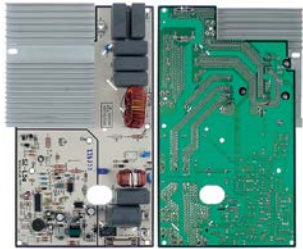
			
1			
<b>GEV No.</b>	403665	<b>Ref. No.</b>	1.1.A.A13.01.51
<b>description</b>	control PCB for vitrine HCV1100 with display unit with probe		

			
1			
<b>GEV No.</b>	361873	<b>Ref. No.</b>	1.1.A.A17.01.01
<b>description</b>	control PCB refrigerated show case GGC 1270/2270 cable length 225mm 2-piece type KB3150		
<b>For models:</b>	HCV1100		


1

<b>GEV No.</b>	403798	<b>Ref. No.</b>	DQA020344R
<b>description</b>	display PCB induction device HIC3500 L 50mm W 48mm		
<b>For models:</b>	HIC3500		




1

<b>GEV No.</b>	403799	<b>Ref. No.</b>	DQA010204R
<b>description</b>	main PCB induction device HIC3500 L 265mm W 152mm		
<b>For models:</b>	HIC3500		




1

<b>GEV No.</b>	403715	<b>Ref. No.</b>	HVS1000-42 YJS820-42
<b>description</b>	main PCB vacuum packing machine HVS1000 L 88mm W 75mm		
<b>For models:</b>	HVS1000		



1

<b>GEV No.</b>	403947	<b>Ref. No.</b>	1.02.HLC300513000
<b>description</b>	PCB for vegetable slicer L 82mm W 82mm		




1

<b>GEV No.</b>	403717	<b>Ref. No.</b>	HVS1000-25 YJS820-25
<b>description</b>	PCB vacuum packing machine HVS1000 L 125mm W 100mm		
<b>For models:</b>	HVS1000		

## keypads

### membrane keypads




1

<b>GEV No.</b>	403718	<b>Ref. No.</b>	HVS1000-36 YJS820-36
<b>description</b>	membrane keypad vacuum packing machine HVS1000 L 190mm W 55mm		
<b>For models:</b>	HVS1000		

## solenoid valves


### solenoid valves (water)

#### various



1

<b>GEV No.</b>	374094	<b>Ref. No.</b>	HVS1000-45 YJS820-45
<b>description</b>	solenoid valve angled 2-way inlet 4.5mm outlet 4.5mm cable length 300mm		
<b>For models:</b>	HVS1000		



1

<b>GEV No.</b>	374093	<b>Ref. No.</b>	HVS1000-41 YJS820-41
<b>description</b>	solenoid valve single 2-way 12VDC inlet 11mm outlet 11mm suitable for exit		
<b>For models:</b>	HVS1000		



electric components

metal

ASCO

spare parts and accessories

O-rings



1

<b>GEV No.</b>	371100	<b>Ref. No.</b>	HVS1000-04 YJS820-4
<b>description</b>	O-ring silicone thickness 1.78mm ID ø 6.07mm Qty 1 pcs		
<b>For models:</b>	HVS1000		

Solenoid valve - accessories



1

<b>GEV No.</b>	371100	<b>Ref. No.</b>	HVS1000-04 YJS820-4
<b>description</b>	O-ring silicone thickness 1.78mm ID ø 6.07mm Qty 1 pcs		
<b>For models:</b>	HVS1000		



1

<b>GEV No.</b>	605147	<b>Ref. No.</b>	RC600.08
<b>description</b>	compressor coolant R600a type HTH14AA 220-240V 50Hz LBP 9.37kg 1/4HP cylinder capacity 14cm <sup>3</sup> RSIR/RSCR H 183mmWWWWWWWW		
<b>For models:</b>	HRE2600		



1

<b>GEV No.</b>	605150	<b>Ref. No.</b>	1.1.A.A02.01
<b>description</b>	compressor coolant R600a type HVM10AA 220-240V 50Hz LBP 8.7kg 1/6HP cylinder capacity 10cm <sup>3</sup> RSIR H 180mmWWWWWWWWWW		
<b>For models:</b>	HCV1100		



1

<b>GEV No.</b>	605142	<b>Ref. No.</b>	DQYD0014
<b>description</b>	compressor coolant R600a type HVM86AA 220-240V 50Hz LBP fully hermetic 7.83kg 1/7HP cylinder capacity 8.6cm <sup>3</sup> RSIR H 174mmWWWWW		

compressors

ACC/ZEL

R600A

LBP monophase

Lower evaporation temperature below -20°C



1

<b>GEV No.</b>	605141	<b>Ref. No.</b>	DQYD0015 E27B6F1Z0001 HBC1002-15
<b>description</b>	compressor coolant R600a type HPY12AAa 220-240V 50Hz LBP 8.8kg 1/5HP cylinder capacity 12cm <sup>3</sup> RSIR H 200mmWWWWWWWWWW		
<b>For models:</b>	HBC1002, HSA2600		





EMBRACO / ASPERA

R290A

LBP monophase

Lower evaporation temperature below -20°C



1

<b>GEV No.</b>	605243	<b>Ref. No.</b>	A080100000 A0801000468
<b>description</b>	compressor coolant R290 type NEU2155U 220-240V 50Hz LBP 11.2kg 3/4HP cylinder capacity 13.54cm <sup>3</sup> CSIR H 190mm 463W 744W 916W 1110WWWWWW test method ASHRAE		
<b>For models:</b>	HSC300N, HSC300N-Silver		

R404a/R507

LBP monophase

Lower evaporation temperature below -20°C



1

<b>GEV No.</b>	605164	<b>Ref. No.</b>	E27A4P4E0000
<b>description</b>	compressor coolant R404a/R507 type NT2178GK 220-240V 50Hz LBP 17kg 1HP cylinder capacity 17.4cm <sup>3</sup> CSIR H 220mm 442W 610W 808W 1032W 1285W 1565WWWWWW		
<b>For models:</b>	RN700		

SECOP DANFOSS


R134A

HMBP monophase

High/Medium evaporation temperature above -20/-15 °C



1

<b>GEV No.</b>	605087	<b>Ref. No.</b>	E27A1N2S0000
<b>description</b>	compressor coolant R134a type SC12G 220-240V 50Hz HMBP fully hermetic 12.6kg 1/3HP power input 470W cylinder capacity 12.9cm <sup>3</sup> RSIR/CSIR H 203mm 140W 216W 312W 430W 574W 746W 951W 1191W 1469W test method ASHRAE 79.6W 1790W		
<b>For models:</b>	RC700		
<b>spare parts for</b>	605087		
	<b>GEV No.</b>	380483	<b>Ref. No.</b> —
	start relay DANFOSS 117U6003 HST		

miscellaneous

R134A



1

<b>GEV No.</b>	605240	<b>Ref. No.</b>	DQYA0049 HSC800-07
<b>description</b>	compressor HuaGuang coolant R134a type AN150ML 220-240V 50Hz LBP 10.5kg 1/2HP cylinder capacity 15.1cm <sup>3</sup> CSIR H 180mmWWWWWWWWWW		
<b>For models:</b>	HSC800		



electric components



<b>GEV No.</b>	605239	<b>Ref. No.</b>	DQYA0009 HBC2003-15
<b>description</b>	compressor HuaGuang coolant R134a type ANA90 220-240V 50Hz 10.5kgHP power input 255W cylinder capacitycm <sup>3</sup> H 180mmWWWWWWWWWW		
<b>For models:</b>	HBC2003		



<b>GEV No.</b>	605245	<b>Ref. No.</b>	DQYA0014 HSC350-07 HSC360-11
<b>description</b>	compressor HuaGuang coolant R134a type ATA72XL 220-240V 50/60Hz 7.2kg 1/5HP cylinder capacity 7cm <sup>3</sup> H 160mmWWWWWWWWWW		
<b>For models:</b>	HSC350, HSC350B, HSC360, HSC360B		



<b>GEV No.</b>	605140	<b>Ref. No.</b>	DQYA0087
<b>description</b>	compressor KONOR type GQR90AA coolant R134a 220-240V 50Hz 10.1kg 1/4HP cylinder capacity 9.1cm <sup>3</sup> RSIR H 186mmWWWWWWWW		



<b>GEV No.</b>	605148	<b>Ref. No.</b>	RN600.06
<b>description</b>	compressor KULHORN type AEA2415Y coolant R134a 220-240V 50Hz		
<b>For models:</b>	HFR2600		

R600A

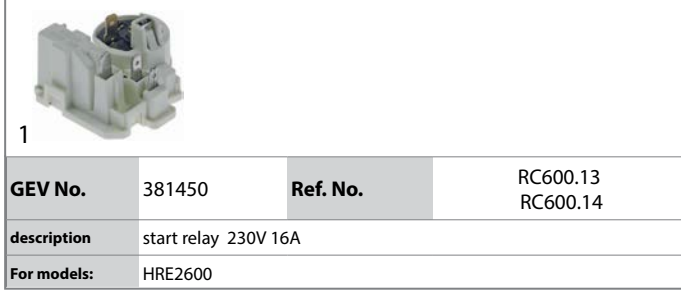


<b>GEV No.</b>	605272	<b>Ref. No.</b>	DQYD0009
<b>description</b>	compressor HuaGuang coolant R600 type ETA110 220-240V 50Hz LBP 8kg 1/4HP RSIR		
<b>For models:</b>	HSC350DD, HSC350G, HSC350GB, HSC360G, HSC360GB		

accessories

starting relays

miscellaneous



<b>GEV No.</b>	381450	<b>Ref. No.</b>	RC600.13 RC600.14
<b>description</b>	start relay 230V 16A		
<b>For models:</b>	HRE2600		

<b>GEV No.</b>	381449	<b>Ref. No.</b>	RN600.09
<b>description</b>	start relay KULHORN KME 682-26NT 230V 16A		
<b>For models:</b>	HFR2600		



overload protector (klixon)



<b>GEV No.</b>	391044	<b>Ref. No.</b>	RN600.08
<b>description</b>	overload protector for engine protective circuit breaker Klixon with cable t.max. 105°C		
<b>For models:</b>	HFR2600		

miscellaneous



<b>GEV No.</b>	699425	<b>Ref. No.</b>	1.1.C.C41.01
<b>description</b>	vibration damper ø 25mm H 10mm		
<b>For models:</b>	HCV1100		

fans

axial fans

ebm-papst



<b>GEV No.</b>	601813 <sup>1</sup>	<b>Ref. No.</b>	RC600.33
<b>description</b>	axial fan L 119mm W 119mm H 38mm 230VAC 50/60Hz 19W bearing ball bearing manuf. no. 4656N/A02 cable length 800mm metal connection plug ebm-papst fan wheel ø 110mm		
<b>For models:</b>	HRE2600		

<sup>1</sup>with slide bearings

import



<b>GEV No.</b>	601604 <sup>1</sup>	<b>Ref. No.</b>	E17A1A010100
<b>description</b>	axial fan L 119mm W 119mm H 38mm 230VAC 50/60Hz 17/15W bearing slide bearing manuf. no. AA1282HS-AT connection cable 300mm fan wheel ø 110mm temp.-resist. 70°C input current 0.1A airflow 130m <sup>3</sup> /h 2600rpm		
<b>For models:</b>	HSA2600		

<sup>1</sup>with slide bearings



<b>GEV No.</b>	601787 <sup>1</sup>	<b>Ref. No.</b>	DQFA1000 DQFD1000 DQFD1001 HBC1002-33 HSC350-42 HSC360-30 HSC800-44
<b>description</b>	axial fan L 119mm W 119mm H 38mm 230VAC 50/60Hz 22/38.4W bearing slide bearing manuf. no. HT-A12038S220 connection plug cable length 300mm HUI TONG fan wheel ø 110mm input current 0.1/0.16A housing aluminium		
<b>For models:</b>	GSC1100G, HSC350, HSC350B, HSC350DD, HSC350G, HSC350GB, HSC360, HSC360B, HSC360G, HSC360GB, HSC800, HSC800G		

<sup>1</sup>with slide bearings

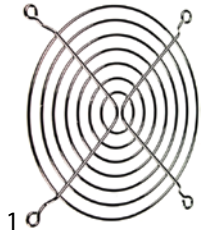


<b>GEV No.</b>	602136	<b>Ref. No.</b>	DQFD2003 HBC2003-33
<b>description</b>	axial fan L 119mm W 119mm H 38mm 230VAC 50/60Hz 22/38.4W bearing slide bearing manuf. no. HT-A12038S220 connection with cable 500mm cable length 300mm HUI TONG fan wheel ø 110mm input current 0.1/0.16A housing aluminium		
<b>For models:</b>	HBC1002, HBC2003, HBC2003G		



accessories

fan guards



<b>GEV No.</b>	691104	<b>Ref. No.</b>	HBC1002-34 HBC2003-34 HSC350-43 WJFZ0007
<b>description</b>	guard ø 115mm mounting distance 105mm for axial fan 119mm		
<b>For models:</b>	HBC1002, HBC2003, HBC2003G, HSC350, HSC350B, HSC350DD, HSC350G, HSC350GB		



refrigeration fans

refrigeration motors universal

ebm-papst

miscellaneous

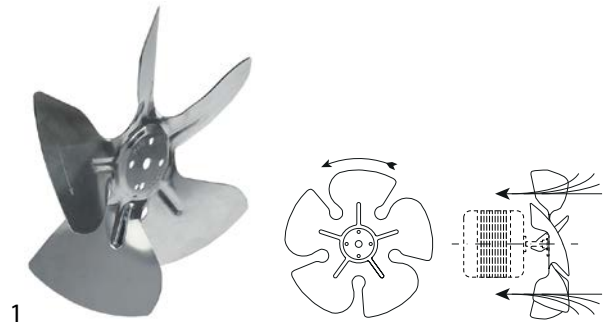


<b>GEV No.</b>	601783	<b>Ref. No.</b>	E17A1A050500 E17A1A100900
<b>description</b>	fan motor 10W 230V 50/60Hz L3 87mm W 67mm cable length 400mm 1300rpm ebm-papst M4Q045-CA03-51/C18 3 mounting options bearing slide bearing for refrigerated counters		
<b>For models:</b>	HSA2600, RC700, RN700		
<b>spare parts for</b>	601783		
	<b>GEV No.</b>	601413	<b>Ref. No.</b> —
<b>accessories for</b>	601783		
	<b>GEV No.</b>	601385	<b>Ref. No.</b> E181A1723401
<b>description</b>	fixing plate suitable for fanwheel ED ø 32mm shaft ø 7 mounting distance 26mm		
<b>description</b>	fan wheel sucking ø 172mm fan wheel mounting 25.4mm blade angle 34° W 42mm aluminium		

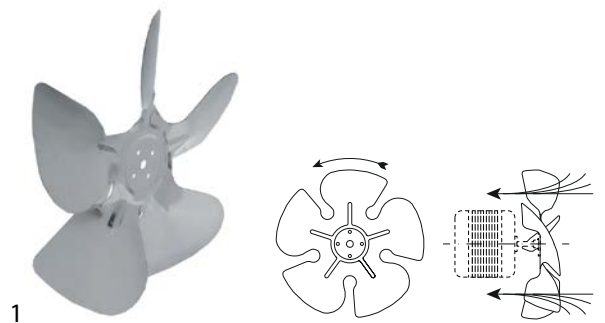
accessories

fan wheels

aluminium



<b>GEV No.</b>	601385	<b>Ref. No.</b>	E181A1723401
<b>description</b>	fan wheel sucking ø 172mm fan wheel mounting 25.4mm blade angle 34° W 42mm aluminium		
<b>For models:</b>	HSA2600		




<b>GEV No.</b>	602113	<b>Ref. No.</b>	E181A2303401
<b>description</b>	fan wheel sucking ø 230mm fan wheel mounting 25.4mm blade angle 34°		
<b>For models:</b>	RC700, RN700		

fan guards



<b>GEV No.</b>	602101	<b>Ref. No.</b>	E192A1200300 E192A1723800
<b>description</b>	guard ø 210mm H 35mm mounting distance 1 230mm mounting distance 2 100mm		
<b>For models:</b>	HSA2600		

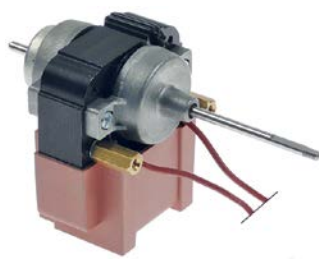



1

<b>GEV No.</b>	602112	<b>Ref. No.</b>	E191A2303800 E192A2303800
<b>description</b>	guard ø 250mm H 28mm mounting distance 1 265mm mounting distance 2 115mm		
<b>For models:</b>	RC700, RN700		

**cold air circulating fans**


cold air circulating fans



1

<b>GEV No.</b>	602079	<b>Ref. No.</b>	1.1.A.A03.01.73
<b>description</b>	fan motor 220-240V 50Hz 5W shaft ø 4mm shaft L 16/55mm L 140mm W 65mm H 76mm		
<b>For models:</b>	HCV1100		

**cooling motors (complete)**



1

<b>GEV No.</b>	601836	<b>Ref. No.</b>	DQJB2004 HBC1002-07 HBC2003-07 HSC800-19
<b>description</b>	fan 220V 25/3W 50/60Hz fan wheel ø 172mm L 82mm W 82mm connection spate terminal M4 cable length 1000mm		
<b>For models:</b>	HBC1002, HBC2003, HBC2003G, HSC800		


**accessories**

fan wheels for cold air circulating fans





1

<b>GEV No.</b>	601846	<b>Ref. No.</b>	1.1.C.C17.01 1.1.C.C17.04
<b>description</b>	fan wheel blowing ø 150mm shaft intake ø 4mm W 33mm plastic Qty 1 pcs		
<b>For models:</b>	HCV1100		



1

<b>GEV No.</b>	601835	<b>Ref. No.</b>	DQJB2013
<b>description</b>	fan 220V 35/5W 50/60Hz L 82mm W 82mm connection spate terminal M4 cable length 1100mm		
<b>spare parts for</b>	601835		
	<b>GEV No.</b>	<b>Ref. No.</b>	—
	602184		
	fixing plate suitable for fanwheel ED ø 33mm shaft ø 6 mounting distance 17mm		



1

<b>GEV No.</b>	698933	<b>Ref. No.</b>	1.1.A.A03.01.59
<b>description</b>	fan wheel sucking ø 150mm shaft intake ø 3.5x4mm W 10.5mm Qty 1 pcs blades 6		
<b>For models:</b>	HCV1100		



### cross flow fans

#### IMPORT



<b>1</b>			
<b>GEV No.</b>	601812	<b>Ref. No.</b>	RC600.16
<b>description</b>	cross flow fan YJ61-14A-HZ01 roller $\varnothing$ 60mm roller length 180mm laminated core thickness 18mm motor position left 220-240V/50-60Hz 13W refrigeration bearing rubber connection plug -30 up to +100°C 220V cable length 300mm 50Hz		
<b>For models:</b>	HRE2600		



<b>1</b>			
<b>GEV No.</b>	601847	<b>Ref. No.</b>	A0805000051
<b>description</b>	cross flow fan YJ61-16A-HZ03 roller $\varnothing$ 60mm roller length 180mm laminated core thickness 15mm motor position right 220-240V/50-60Hz 27W refrigeration bearing rubber connection male faston 6.3mm -10 up to +60°C 230V 50/60Hz		
<b>For models:</b>	HSC300N, HSC300N-Silver		

#### accessories for cross flow fans

##### fasteners



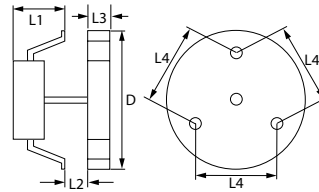
<b>1</b>			
<b>GEV No.</b>	692388	<b>Ref. No.</b>	RC600.17
<b>description</b>	bracket for cross flow fan L 295mm W 85mm H 25mm Qty 1 pcs		
<b>For models:</b>	HRE2600		

### hot air fans

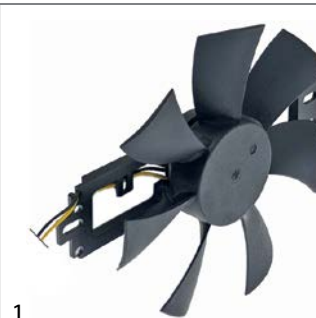
#### miscellaneous



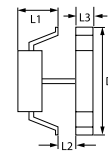
<b>1</b>			
<b>GEV No.</b>	500902	<b>Ref. No.</b>	MOT30029
<b>description</b>	fan motor 220V 55W 50/60Hz L1 68mm FIME type L25R without fan wheel		
<b>For models:</b>	HCO500		
<b>accessories for</b>	500902		



<b>GEV No.</b>	550879	<b>Ref. No.</b>	—
<b>description</b>	insulation $\varnothing$ 130mm thickness 3mm hole $\varnothing$ 20mm for hot air fan		




<b>1</b>			
<b>GEV No.</b>	602140	<b>Ref. No.</b>	AD200057
<b>description</b>	hot air fan 18V 2750rpm L1 6mm L2mm L3 16mm L4mm fan wheel $\varnothing$ 85mm type YHWF-110		
<b>For models:</b>	HIC3500		





accessories

fan wheels for hot air fans



1


<b>GEV No.</b>	601261	<b>Ref. No.</b>	VEN30013
<b>description</b>	fan wheel ø 154mm W 25mm shaft intake ø 6x5mm chrome-plated blades 7		
<b>For models:</b>	HCO500		

accessories universal



1

<b>GEV No.</b>	699426	<b>Ref. No.</b>	1.1.C.C46.04.16
<b>description</b>	frame ø 160/210mm for fan		
<b>For models:</b>	HCV1100		




1

<b>GEV No.</b>	699309	<b>Ref. No.</b>	HSC360-35 WJFZ0008
<b>description</b>	guard ø 194mm hole distance 208mm		
<b>For models:</b>	HSC360, HSC360B, HSC360G		

motors

motors

for vegetable slicers



1

<b>GEV No.</b>	601855	<b>Ref. No.</b>	1.04.05001406100-1
<b>description</b>	motor 230V 550W 50Hz 1400rpm 1 phase shaft ø 31.5mm shaft length 37mm H 220mm mounting distance 170mm		
<b>For models:</b>	HVC1001		
<b>spare parts for</b>	601855		
<b>GEV No.</b>	365020	<b>Ref. No.</b>	—
<b>description</b>	operating capacitor capacity 14µF 400V tolerance 5%Hz ambient temperature max. -25 to +85°C ø 35mm L 70mm M8 plastic connection male faston 6.3mm protection		

pumps

vacuum pumps

vacuum pumps




1

<b>GEV No.</b>	602111	<b>Ref. No.</b>	HVS1000-30 YJS820-30
<b>description</b>	vacuum pump 220/240V 0.32kW 50Hz type OLF400Z		
<b>For models:</b>	HVS1000		

condensators & interference suppression filters

starting capacitors

starting capacitors




1

<b>GEV No.</b>	365214	<b>Ref. No.</b>	RC600.12
<b>description</b>	starting capacitor 5µF 450V 50/60Hz duty cycle 5% ø 35mm L 60.5mm connection male faston 4.8mm		
<b>For models:</b>	HRE2600		

fuses

fine fuses



1

<b>GEV No.</b>	358186	<b>Ref. No.</b>	DZJ020003
<b>description</b>	fuse size ø6.3x32 15A slow-acting rated 250V Qty 1 pcs		
<b>For models:</b>	HIC3500		



## electric accessories

## plugs - couplings - power sockets

## appliance sockets/plugs

## low temperature appliances 70°C



1

<b>GEV No.</b>	551334	<b>Ref. No.</b>	HVS1000-38 YJS820-38
<b>description</b>	plug for box mounting receptacles C14 max 10A/250V F4.8		
<b>For models:</b>	HVS1000		

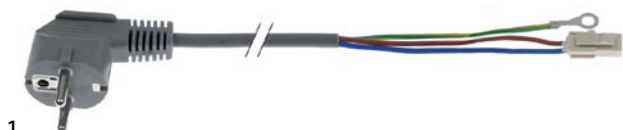
## cables

## power supply cables



1

<b>GEV No.</b>	698880	<b>Ref. No.</b>	E25EUB315300
<b>description</b>	connecting cable 3-pole contacts P+N+E 1.5mm <sup>2</sup> max. 16A max 250V 2.9m		
<b>For models:</b>	HSA2600, RC700, RN700		



1

<b>GEV No.</b>	699313	<b>Ref. No.</b>	RN600.01
<b>description</b>	connecting cable CEE7/7 type E+F 3-pole contacts P+N+E 0.75mm <sup>2</sup> max. 16A max 250V 2.87m		
<b>For models:</b>	HFR2600		



1

<b>GEV No.</b>	551203	<b>Ref. No.</b>	CAV30014
<b>description</b>	connecting cable CEE7/7 type E+F 3-pole contacts P+N+E 2.5mm <sup>2</sup> max. 16A max 230V 2m H07 RN-F with plug		
<b>For models:</b>	HCO500		



1

<b>GEV No.</b>	550726	<b>Ref. No.</b>	HVS1000-39 YJS820-39
<b>description</b>	low temperature appliance supply cable CEE7/7 - C15 3-pole contacts P+N+E 1mm <sup>2</sup> max. 10A max 250V 2.0m H05VVF T70 2-pole + earthing insulation PVC		
<b>For models:</b>	HVS1000		

<b>GEV No.</b>	551217	<b>Ref. No.</b>	DQXA6002 HBC1002-16 HBC2003-16 HSC350-05 HSC360-05
<b>description</b>	power lead CEE7/7 type E+F 3-pole contacts P+N+E 0.75mm <sup>2</sup> max. 16A 2.2m with strain relief 16A Qty 1 pcs white		
<b>For models:</b>	GSC1100G, HBC1002, HBC2003, HBC2003G, HSC350, HSC350B, HSC350DD, HSC350G, HSC350GB, HSC360, HSC360B, HSC360G, HSC360GB, HSC800, HSC800G		

<b>GEV No.</b>	551218	<b>Ref. No.</b>	1.1.A.A08.02.02 1.1.A.A08.02.36 1.1.A.A08.02.79 1.1.A.A08.02.87
<b>description</b>	power lead CEE7/7 type E+F 3-pole contacts P+N+E 0.75mm <sup>2</sup> max. 16A max 230V 2m Qty 1 pcs grey		
<b>For models:</b>	HCV1100		

<b>GEV No.</b>	551325	<b>Ref. No.</b>	XC0000071R
<b>description</b>	power lead P+N+E 1mm <sup>2</sup> max 500V 1.5m Qty 1m connection screw		
<b>For models:</b>	HIC3500		

## PVC cable



1

<b>GEV No.</b>	551331	<b>Ref. No.</b>	A0927000129
<b>description</b>	PVC cable 2-pole 0.75mm <sup>2</sup> L 580mm white permanent temperature°C t.max.°C test voltageV		
<b>For models:</b>	HSC300N, HSC300N-Silver		

## accessories

## cable glands

## threaded cable glands

## screw connections



1

<b>GEV No.</b>	551379	<b>Ref. No.</b>	PPC30004
<b>description</b>	cable gland thread PG13.5 cable ø 12mm mounting ø 20mm WS 24 plastic Qty 1 pcs with nut		
<b>For models:</b>	HCO500		







strain reliefs

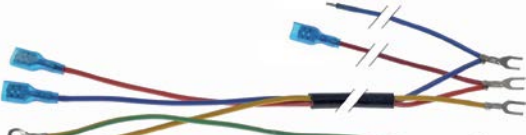
			
1			
<b>GEV No.</b>	506273	<b>Ref. No.</b>	HVS1000-44 YJS820-44
<b>description</b>	strain relief L 20mm W 8mm hole ø 4mm Qty 1 pcs		
<b>For models:</b>	HVS1000		

			
1			
<b>GEV No.</b>	506235	<b>Ref. No.</b>	1.1.C.C24.03
<b>description</b>	strain relief L 28mm W 12mm H 8mm hole ø 3.5mm hole distance 16mm plastic Qty 1 pcs		
<b>For models:</b>	HCV1100		

connection cables


			
1			
<b>GEV No.</b>	699304	<b>Ref. No.</b>	DQXB9019 HBC1002-21 HBC2003-21
<b>description</b>	connection cable L 360mm 3-pole		
<b>For models:</b>	HBC1002, HBC2003, HBC2003G		

			
1			
<b>GEV No.</b>	699305	<b>Ref. No.</b>	DQXB2003 HSC350-03 HSC360-03
<b>description</b>	connection cable L 650mm 3-pole		
<b>For models:</b>	HSC350, HSC350B, HSC350DD, HSC350G, HSC350GB		


			
1			
<b>GEV No.</b>	699306	<b>Ref. No.</b>	DQXB4003 HSC800-02
<b>description</b>	connection cable L 665mm 3-pole		
<b>For models:</b>	GSC1100G, HSC800, HSC800G		

terminals

connection terminals with screw/faston connections

			
1			
<b>GEV No.</b>	550516	<b>Ref. No.</b>	MOR30005
<b>description</b>	power terminal block 3-pole max. 40A max 400V connection M6/ male faston 6.3mm temp.-resist. 150°C cross section 6mm <sup>2</sup> mounting distance 66.5mm		
<b>For models:</b>	HCO500		


terminal boxes

			
1			
<b>GEV No.</b>	551216	<b>Ref. No.</b>	HBC1002-17 HBC2003-17 HSC350-06 HSC360-10 HSC800-21 SLZB3001
<b>description</b>	terminal box 4-pole L 90mm W 52mm H 33mm with strain relief 250V 1mm <sup>2</sup> Qty 1 pcs		
<b>For models:</b>	HBC1002, HBC2003, HBC2003G, HSC350, HSC350B, HSC350DD, HSC350G, HSC350GB, HSC360, HSC360B, HSC360G, HSC360GB		

equipment-specific units

for vegetable slicers

ejector discs

			
1			
<b>GEV No.</b>	699135	<b>Ref. No.</b>	3.HLC300087040301
<b>description</b>	ejector disc high H 30mm ø 200mm seat ø 20mm hole distance 41mm		
<b>For models:</b>	HVC1001		

## grating discs



1

<b>GEV No.</b>	699633	<b>Ref. No.</b>	2,0000001
<b>description</b>	grating disc type H3 ø 205mm seat ø 19mm H 33mm slicing thickness 3mm		
<b>For models:</b>	HVC1001		



2

<b>GEV No.</b>	699634	<b>Ref. No.</b>	2,0000021
<b>description</b>	grating disc type H4 ø 205mm seat ø 19mm H 33mm slicing thickness 4mm		

## cutting discs

## blades smooth

## cutting discs



1

<b>GEV No.</b>	699631	<b>Ref. No.</b>	2,0000004
<b>description</b>	slicing disk type P2 ø 205mm seat ø 19mm slicing thickness 2mm plastic		
<b>For models:</b>	HVC1001		



1

<b>GEV No.</b>	699632	<b>Ref. No.</b>	2,0000002
<b>description</b>	slicing disk type P4 ø 205mm seat ø 19mm slicing thickness 4mm plastic		
<b>For models:</b>	HVC1001		

## plungers



1

<b>GEV No.</b>	696868	<b>Ref. No.</b>	3.HLC300A081060201
<b>description</b>	plunger ø 50mm L 130mm total length 275mm plastic		
<b>For models:</b>	HVC1001		

## spindles



1

<b>GEV No.</b>	692921	<b>Ref. No.</b>	2.HLC300045000
<b>description</b>	spindle L1 37mm L2 88mm D1 ø 19mm D2 ø 14mm for vegetable slicer total length 128mm		
<b>For models:</b>	HVC1001		

## miscellaneous



1

<b>GEV No.</b>	692924	<b>Ref. No.</b>	2.HLC300-092120340
<b>description</b>	spacer bush ED ø 20mm ID ø 15.5mm H 27mm for vegetable slicer		
<b>For models:</b>	HVC1001		



1

<b>GEV No.</b>	692925	<b>Ref. No.</b>	2.HLC300-060100410
<b>description</b>	threaded bush ED ø M16mm ID ø M10mm H 285mm for vegetable slicer		
<b>For models:</b>	HVC1001		



for fridges

spare parts and accessories



1	<b>GEV No.</b> 694868	<b>Ref. No.</b> HSC350-11
<b>description</b> bracket for dryer L 40mm W 30mm H 31mm Qty 1 pcs		



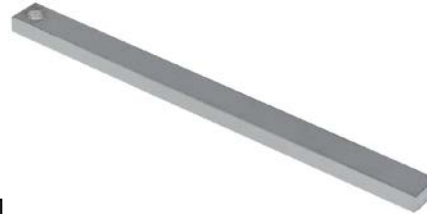
1	<b>GEV No.</b> 694869	<b>Ref. No.</b> HSC350-17
<b>description</b> cover L 153mm W 57mm H 110mm plastic Qty 1 pcs mounting distance 125mm		



1	<b>GEV No.</b> 694967	<b>Ref. No.</b> SLCX0002
<b>description</b> cover L 51mm W 44mm H 12mm plastic mounting distance 30mm		
<b>For models:</b> HSC350DD, HSC350G, HSC360G		



1	<b>GEV No.</b> 698881	<b>Ref. No.</b> P01AA08A0002
<b>description</b> filter for condensate L 270mm W 228mm H 3.5mm plastic		
<b>For models:</b> RC700		



1	<b>GEV No.</b> 698878	<b>Ref. No.</b> HBC1002-47 HBC2003-46 WJQZ9000 WJQZ9001
<b>description</b> guide counterweight for sliding door L 248mm W 20mm H 10mm		
<b>For models:</b> HBC1002, HBC2003, HBC2003G		



1	<b>GEV No.</b> 750691	<b>Ref. No.</b> P01AF00A0004
<b>description</b> pressure compensation valve L 104mm W 59mm H 87mm		
<b>For models:</b> HFR2600G		

housing and bezels

covers



1	<b>GEV No.</b> 694588	<b>Ref. No.</b> RC600.31
<b>description</b> cover for axial flow fan W 663mm H 222mm plate thickness max. 0.7mm plate Qty 1 pcs		
<b>For models:</b> HRE2600		



1	<b>GEV No.</b> 698891	<b>Ref. No.</b> HBC1002-25 PTBP9N76
<b>description</b> cover for compressor L 900mm W 65mm H 52mm Qty 1 pcs		
<b>For models:</b> HBC1002		



1	<b>GEV No.</b> 698890	<b>Ref. No.</b> HBC2003-25 PTBP9N88
<b>description</b> cover L 1350mm W 65mm H 52mm Qty 1 pcs		
<b>For models:</b> HBC2003		

## lids



1

<b>GEV No.</b>	698886	<b>Ref. No.</b>	HSC800-16
<b>description</b>	cover for compressor white L 1005mm W 325mm H 45mm Qty 1 pcs		

## handles



1

<b>GEV No.</b>	692390	<b>Ref. No.</b>	LCCG0005
<b>description</b>	handle rod for door L 380mm W 40mm aluminium Qty 1 pcs		
<b>For models:</b>	GSC1100G		

## holders



1

<b>GEV No.</b>	692384	<b>Ref. No.</b>	P01AF07A0004 RN600.21
<b>description</b>	bracket for evaporator mounting pos. left L 98mm W 34mm H 37mm plastic Qty 1 pcs		
<b>For models:</b>	HFR2600, HFR2600G		



1

<b>GEV No.</b>	692383	<b>Ref. No.</b>	P01AF07A0003 RN600.20
<b>description</b>	bracket for evaporator mounting pos. right L 98mm W 34mm H 37mm plastic Qty 1 pcs		
<b>For models:</b>	HFR2600, HFR2600G		

## caps



1

<b>GEV No.</b>	698986	<b>Ref. No.</b>	B1301080400
<b>description</b>	cap ø 10.7mm H 6mm Qty 5 pcs		
<b>For models:</b>	HSC300N		



1

<b>GEV No.</b>	698981	<b>Ref. No.</b>	B1301080403
<b>description</b>	cover cap L 15mm W 12mm H 6mm plastic		
<b>For models:</b>	HSC300N		

## miscellaneous



1

<b>GEV No.</b>	694859	<b>Ref. No.</b>	HSC800-40
<b>description</b>	cover for lighting L 970mm W 280mm plexiglas thickness 1mm		



1

<b>GEV No.</b>	692392	<b>Ref. No.</b>	SLSE4005
<b>description</b>	cover for lighting W 1170mm H 280mm thickness 1mm plastic Qty 1 pcs		
<b>For models:</b>	GSC1100G		




1

<b>GEV No.</b>	694875	<b>Ref. No.</b>	HSC350-19 SLZE0026
<b>description</b>	cover for thermostat		
<b>For models:</b>	HSC350, HSC350DD, HSC350G		



1

<b>GEV No.</b>	692391	<b>Ref. No.</b>	HSC350-39 HSC800-39 SLZE0027
<b>description</b>	housing for bulb socket L 150mm W 40mm H 20mm plastic Qty 1 pcs		
<b>For models:</b>	GSC1100G, HSC350, HSC350B, HSC350DD, HSC350G, HSC350GB, HSC800, HSC800G		

1

<b>GEV No.</b>	701268	<b>Ref. No.</b>	RN600.32
<b>description</b>	U profile for evaporator L 635mm W 16mm H 13mm aluminium Qty 1 pcs		
<b>For models:</b>	HFR2600		



1

<b>GEV No.</b>	701267	<b>Ref. No.</b>	RC600.21 RN600.14
<b>description</b>	ventilation grille white H 61mm L 770mm mounting pos. lower Qty 1 pcs		
<b>For models:</b>	HFR2600, HRE2600		

doors



1

<b>GEV No.</b>	694543	<b>Ref. No.</b>	RC600.41 RN600.30
<b>description</b>	door W 765mm H 1740mm thickness 63mm		
<b>For models:</b>	HFR2600, HRE2600		



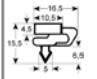
1

<b>GEV No.</b>	698989	<b>Ref. No.</b>	BLGM2B12 HSC350-46
<b>description</b>	glass door L 1350mm W 620mm		
<b>For models:</b>	HSC350, HSC350G		



1

<b>GEV No.</b>	699381	<b>Ref. No.</b>	BLGM4010
<b>description</b>	glass door left W 600mm H 1330mm D 40mm		
<b>For models:</b>	GSC1100G		
<b>spare parts for</b>	699381		



<b>GEV No.</b>	901662	<b>Ref. No.</b>	SLJP4007
<b>description</b>	door seal profile 9156 W 569mm L 1295mm plug size Qty 1 pcs		





<b>GEV No.</b>	699374	<b>Ref. No.</b>	BLPM2033 HSC360-40
<b>description</b>	glass door W 620mm H 1600mm D 40mm		
<b>For models:</b>	HSC360, HSC360G		



<b>GEV No.</b>	699493	<b>Ref. No.</b>	BLGM4025
<b>description</b>	glass door with lock W 620mm H 680mm D 38mm mounting pos. lower		
<b>For models:</b>	HSC350DD		
<b>spare parts for</b>	699493		
	<b>GEV No.</b>	902465	<b>Ref. No.</b> SLJP2015
	refrigeration gasket profile 9161 W 590mm L 650mm plug size		




<b>GEV No.</b>	699494	<b>Ref. No.</b>	BLGM4024
<b>description</b>	glass door W 620mm H 680mm D 38mm mounting pos. upper		
<b>For models:</b>	HSC350DD		
<b>spare parts for</b>	699494		
	<b>GEV No.</b>	902465	<b>Ref. No.</b> SLJP2015
	refrigeration gasket profile 9161 W 590mm L 650mm plug size		

miscellaneous

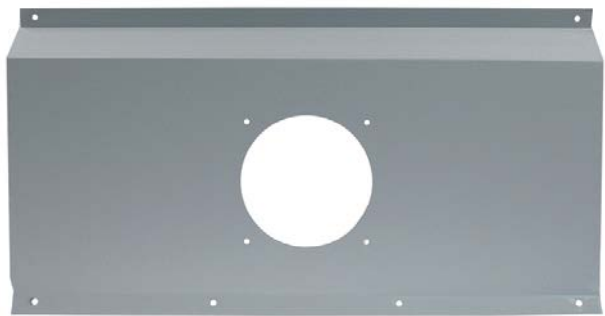


<b>GEV No.</b>	701431	<b>Ref. No.</b>	HSC360-22 WJLD0000
<b>description</b>	bracket for glass door L 54mm W 42mm H 75mm hole ø 7x12mm Qty 1 pcs		
<b>For models:</b>	HSC360, HSC360B, HSC360G, HSC360GB		




1

<b>GEV No.</b>	692731	<b>Ref. No.</b>	RC600.11
<b>description</b>	bracket L 80mm W 58mm D 25mm zinc-plated sheet steel		
<b>For models:</b>	HRE2600		




1

<b>GEV No.</b>	694867	<b>Ref. No.</b>	HSC350-29 PTBP2020
<b>description</b>	cover for evaporator L 525mm W 280mm H 53mm plate Qty 1 pcs		
<b>For models:</b>	HSC350, HSC350DD, HSC350G		




1

<b>GEV No.</b>	692424	<b>Ref. No.</b>	HSC350-25 SLZV0007
<b>description</b>	cover for lighting mounting pos. inner L 1263mm W 56mm H 20mm plastic Qty 1 pcs		
<b>For models:</b>	HSC350, HSC350B		




1

<b>GEV No.</b>	698888	<b>Ref. No.</b>	HBC1002-30 HBC2003-30 SLZV0019
<b>description</b>	cover transparent for lamp L 810mm W 40mm H 30mm Qty 1 pcs		
<b>For models:</b>	HBC2003, HBC2003G		



1

<b>GEV No.</b>	692426	<b>Ref. No.</b>	HSC350-26 LCCJ2029
<b>description</b>	guide for fridge L 1145mm W 26mm H 4.5mm Qty 1 pcs		
<b>For models:</b>	GSC1100G, HSC350, HSC350DD, HSC350G, HSC800, HSC800G		



1

<b>GEV No.</b>	698877	<b>Ref. No.</b>	HSC800-28 LCCK0001
<b>description</b>	shelf support L 26.5mm W 8.5mm H 40mm aluminium		
<b>For models:</b>	GSC1100G, HSC800, HSC800G		

## for freezer cabinets

## housing and bezels




1

<b>GEV No.</b>	692386	<b>Ref. No.</b>	RC600.35 RN600.26
<b>description</b>	front panel W 770mm H 52mm plastic Qty 1 pcs		
<b>For models:</b>	HFR2600, HRE2600		

## for display coolers

## spare parts and accessories




1

<b>GEV No.</b>	699437	<b>Ref. No.</b>	1.1.B.B09.16
<b>description</b>	counterpart for foot L 44.5mm W 27mm H 15.5mm		
<b>For models:</b>	HCV1100		

## housing and bezels

## fascias




1


<b>GEV No.</b>	698929	<b>Ref. No.</b>	1.1.C.C46.04.08
<b>description</b>	bezel mounting pos. for electronic controller W 185mm D 16mm H 93mm plastic Qty 1 pcs		
<b>For models:</b>	HCV1100		







			
1			
<b>GEV No.</b>	698927	<b>Ref. No.</b>	1.1.C.C46.04.09
<b>description</b>	bezel mounting pos. front for vitrine W 696mm D 16mm H 205mm plastic Qty 1 pcs		
<b>For models:</b>	HCV1100		


			
1			
<b>GEV No.</b>	698984	<b>Ref. No.</b>	B1301010355
<b>description</b>	bezel mounting pos. lower W 460mm D 14mm H 15mm plastic Qty 1 pcs		
<b>For models:</b>	HSC300N, HSC300N-Silver		


			
1			
<b>GEV No.</b>	698977	<b>Ref. No.</b>	B1301080533
<b>description</b>	bezel mounting pos. lower W 535mm D 15mm H 120mm plastic Qty 1 pcs		
<b>For models:</b>	HSC300N		


			
1			
<b>GEV No.</b>	698983	<b>Ref. No.</b>	B1301081009
<b>description</b>	bezel mounting pos. upper for control W 593mm D 60mm H 65mm plastic Qty 1 pcs		
<b>For models:</b>	HSC300N		

			
1			
<b>GEV No.</b>	692733	<b>Ref. No.</b>	HSC360-27 SLJX2014
<b>description</b>	cover for lamp W 55mm H 20mm L 1040mm		
<b>For models:</b>	HSC360, HSC360B		


			
1			
<b>GEV No.</b>	698928	<b>Ref. No.</b>	1.1.C.C46.04.11
<b>description</b>	cover mounting pos. rear-upper for vitrine W 625mm D 165mm H 40mm plastic		
<b>For models:</b>	HCV1100		


			
1			
<b>GEV No.</b>	698985	<b>Ref. No.</b>	B1301081032
<b>description</b>	fixing plate mounting pos. upper for control W 283mm D 42mm H 54mm Qty 1 pcs		
<b>For models:</b>	HSC300N		

			
1			
<b>GEV No.</b>	699401	<b>Ref. No.</b>	S24AC21A0001
<b>description</b>	front panel mounting pos. front W 865mm D 15mm H 248mm		
<b>For models:</b>	HSA2600		


			
1			
<b>GEV No.</b>	699407	<b>Ref. No.</b>	S24AC20A0005
<b>description</b>	sheet mounting pos. upper for door W 890mm D 115mm H 10mm		
<b>For models:</b>	HSA2600		

shelf supports

			
1			
<b>GEV No.</b>	698979	<b>Ref. No.</b>	B1301010366
<b>description</b>	shelf support L 42mm W 42mm H 21.5mm mounting pos. left		
<b>For models:</b>	HSC300N, HSC300N-Silver		

			
1			
<b>GEV No.</b>	698978	<b>Ref. No.</b>	B1301010365
<b>description</b>	shelf support L 42mm W 42mm H 21.5mm mounting pos. right		
<b>For models:</b>	HSC300N, HSC300N-Silver		

housings

			
1			
<b>GEV No.</b>	692437	<b>Ref. No.</b>	1.1.C.C22.07
<b>description</b>	casing cover W 130mm D 70mm H 6mm plastic Qty 1 pcs		
<b>For models:</b>	HCV1100		



1

<b>GEV No.</b>	699175	<b>Ref. No.</b>	P04AC21A0003
<b>description</b>	housing for control part W 200mm D 115mm H 95mm		
<b>For models:</b>	HSA2600		



1

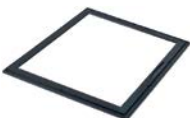
<b>GEV No.</b>	692436	<b>Ref. No.</b>	1.1.C.C21.03
<b>description</b>	housing W 128mm D 65mm H 38mm plastic Qty 1 pcs		
<b>For models:</b>	HCV1100		



1

<b>GEV No.</b>	699298	<b>Ref. No.</b>	HSC800-38
<b>description</b>	side panel mounting pos. upper for lamp W 40mm H 80mm L 280mm plastic		

## frame



1

<b>GEV No.</b>	698925	<b>Ref. No.</b>	1.1.C.C46.01.09
<b>description</b>	frame mounting pos. inner for door W 385mm D 7mm H 330mm plastic Qty 1 pcs		
<b>For models:</b>	HCV1100		



1

<b>GEV No.</b>	698926	<b>Ref. No.</b>	1.1.C.C16.01.10
<b>description</b>	frame mounting pos. outer for door W 375mm D 16mm H 325mm plastic Qty 1 pcs		

## side parts



1

<b>GEV No.</b>	698919	<b>Ref. No.</b>	1.1.C.C46.04.01
<b>description</b>	side panel mounting pos. left for vitrine W 34mm D 448mm H 450mm plastic Qty 1 pcs		
<b>For models:</b>	HCV1100		



1

<b>GEV No.</b>	698921	<b>Ref. No.</b>	1.1.C.C46.04.02
<b>description</b>	side panel mounting pos. right for vitrine W 34mm D 448mm H 450mm plastic Qty 1 pcs		
<b>For models:</b>	HCV1100		

## miscellaneous



1

<b>GEV No.</b>	699310	<b>Ref. No.</b>	HSC800-47
<b>description</b>	cover L 500mm W 40mm thickness 0.5mm		



1

<b>GEV No.</b>	699315	<b>Ref. No.</b>	HBC1002-39 HBC2003-39 SLZE0042
<b>description</b>	fixing plate for evaporator L 55mm W 27mm H 6mm		
<b>For models:</b>	HBC1002, HBC2003, HBC2003G		


## glass panels

## glass panels




1

<b>GEV No.</b>	692668	<b>Ref. No.</b>	1.1.E.E2.08.47
<b>description</b>	glass panel L 435mm W 445mm thickness 10.5mm mounting pos. left/right for vitrine		
<b>For models:</b>	HCV1100		

1

<b>GEV No.</b>	698924	<b>Ref. No.</b>	1.1.E.E2.08.16
<b>description</b>	glass panel L 650mm W 523mm H 12.5mm		



1


<b>GEV No.</b>	698930	<b>Ref. No.</b>	1.1.E.E2.02.39
<b>description</b>	glass panel Lmm W 360mm H 308mm thickness 10.5mm for door		

**doors**




1

<b>GEV No.</b>	698973	<b>Ref. No.</b>	BLGM9S01 HBC1002-44
<b>description</b>	glass door W 440mm H 770mm mounting pos. right		
<b>For models:</b>	HBC1002		



1

<b>GEV No.</b>	698972	<b>Ref. No.</b>	BLGM9S00 HBC1002-45
<b>description</b>	glass door W 440mm H 770mm with lock mounting pos. left		
<b>For models:</b>	HBC1002		
<b>accessories for</b>	698972		
	<b>GEV No.</b>	<b>Ref. No.</b>	<b>Ref. No.</b>
	902210	HBC2003-52	JNMA0000
<b>description</b>	gasket L 930mm Qty 1 dimensions 5x6mm		



1

<b>GEV No.</b>	698971	<b>Ref. No.</b>	BLGM9S52 HBC2003-50
<b>description</b>	glass door W 440mm H 770mm with lock mounting pos. right		
<b>For models:</b>	HBC2003, HBC2003G		



1

<b>GEV No.</b>	698969	<b>Ref. No.</b>	BLGM9S57 HBC2003-48
<b>description</b>	glass door W 450mm H 770mm mounting pos. left		
<b>For models:</b>	HBC2003, HBC2003G		



1

<b>GEV No.</b>	698970	<b>Ref. No.</b>	BLGM9S5M HBC2003-49
<b>description</b>	glass door W 450mm H 770mm with lock mounting pos. centre		
<b>For models:</b>	HBC2003, HBC2003G		


**door mechanics**

**miscellaneous**



1

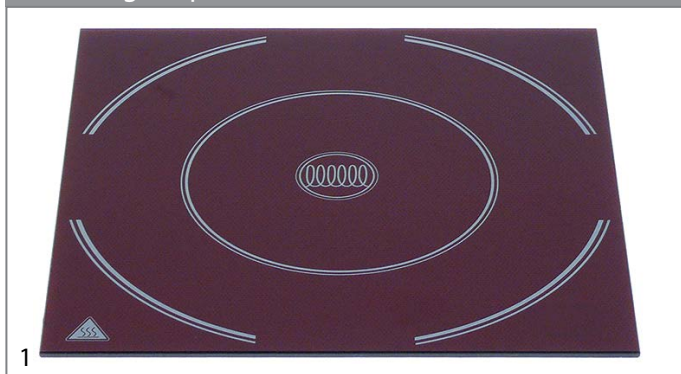
<b>GEV No.</b>	694928	<b>Ref. No.</b>	HBC1002-48 HBC2003-44 WJX0000
<b>description</b>	door magnet L 46mm W 16mm H 14.5mm		
<b>For models:</b>	HBC1002, HBC2003, HBC2003G		



1 			
<b>GEV No.</b>	694929	<b>Ref. No.</b>	HBC1002-49 HBC2003-45 WJXG000
<b>description</b>	plate for magnet L 45mm W 12mm H 1.5mm mounting distance 32mm		
<b>For models:</b>	HBC1002, HBC2003, HBC2003G		

## for pyroceram ranges

## ceramic hobs


## ceramic glass plates



<b>GEV No.</b>	694932	<b>Ref. No.</b>	MBA000234
<b>description</b>	ceramic plate for induction device L 274mm W 274mm thickness 4mm		
<b>For models:</b>	HIC3500		
<b>accessories for</b>	694932		
	<b>GEV No.</b>	890015	<b>Ref. No.</b> —
	high temperature silicone OTTOSEAL S17 t.max. 285°C red/brown cartridge 310ml		
	<b>GEV No.</b>	890060	<b>Ref. No.</b> —
	adhesive PACTAN 6076 310ml 250°C anthracite		

## for deep fryers

## fasteners

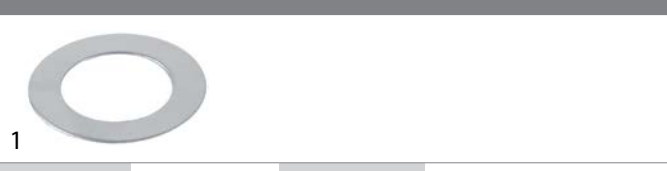
1 			
<b>GEV No.</b>	692544	<b>Ref. No.</b>	2.02HDF4260701 HDF2128-023
<b>description</b>	mounting strap L 63mm W 25mm H 15mm		
<b>For models:</b>	HDF2128		

## lids



<b>GEV No.</b>	698544	<b>Ref. No.</b>	3.CP0603070100 GDF1104-032 HDF1108-035 HDF2128-036
<b>description</b>	mushroom cap handle handle ø 50mm ø 70mm L 36mm plastic black		
<b>For models:</b>	HDF1104, HDF1108, HDF2128		

## miscellaneous



<b>GEV No.</b>	694738	<b>Ref. No.</b>	HDF1108-030 HDF2128-031
<b>description</b>	bezel plate L 45mm H 1mm ID ø 30mm		

## for convection ovens/combi-steamers

## glass panels




<b>GEV No.</b>	694950	<b>Ref. No.</b>	VET30017
<b>description</b>	door glass for combi-steamer L 485mm mounting pos. inner W 415mm thickness 4mm		
<b>For models:</b>	HCO500		



<b>GEV No.</b>	694951	<b>Ref. No.</b>	VET05021
<b>description</b>	door glass for combi-steamer L 555mm mounting pos. outer W 425mm thickness 4mm		
<b>For models:</b>	HCO500		



for induction devices



1

<b>GEV No.</b>	699334	<b>Ref. No.</b>	WJD000047
<b>description</b>	deflector for induction device L 280mm W 17mm H 14mm		
<b>For models:</b>	HIC3500		




1

<b>GEV No.</b>	699331	<b>Ref. No.</b>	WJD000050
<b>description</b>	grease filter L 125mm W 120mm H 9mm		
<b>For models:</b>	HIC3500		



1

<b>GEV No.</b>	699333	<b>Ref. No.</b>	DQA020343R SLA010075
<b>description</b>	housing for knob L 60mm W 58mm H 25.5mm		
<b>For models:</b>	HIC3500		



1

<b>GEV No.</b>	699336	<b>Ref. No.</b>	AB300015
<b>description</b>	insert for PCB L 298mm W 267mm H 60mm		
<b>For models:</b>	HIC3500		




1

<b>GEV No.</b>	699335	<b>Ref. No.</b>	WJD000048
<b>description</b>	sheet L 320mm W 15mm H 29mm		
<b>For models:</b>	HIC3500		

for tilting bratt pans

miscellaneous



1

<b>GEV No.</b>	523510	<b>Ref. No.</b>	4.01.6202GBT294166
<b>description</b>	deep-groove ball bearing type 6202-2RS shaft ø 15mm ED ø 35mm W 11mm with sealing discs deep-groove ball bearing DIN 625-1		
<b>For models:</b>	HVC1001		

for ovens

housing and bezels



1

<b>GEV No.</b>	692763	<b>Ref. No.</b>	DEF30123
<b>description</b>	cover for hot air oven L 320mm W 325mm H 62mm		
<b>For models:</b>	HCO500		


for saladettes


housing and bezels



1

<b>GEV No.</b>	692692	<b>Ref. No.</b>	KITSR4AC2A00
<b>description</b>	bridge L 168/330/534mm 6 pieces		
<b>For models:</b>	HSA2600		

			
1			
<b>GEV No.</b>	993263	<b>Ref. No.</b>	P04AC20A0006
<b>description</b>	cutting board L 950mm W 130mm H 20mm		
<b>For models:</b>	HSA2600		

doors			
			
1			
<b>GEV No.</b>	701546	<b>Ref. No.</b>	S24AC22A0006
<b>description</b>	door bolt L 28mm mounting pos. upper thread L 8mmmm		
<b>For models:</b>	HSA2600		

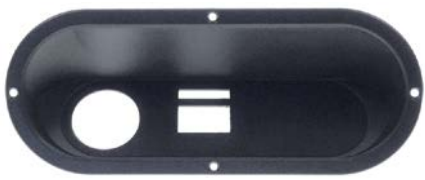
## for vacuum packers

lids			
			
1			
<b>GEV No.</b>	699600	<b>Ref. No.</b>	HVS1000-02 YJS820-2
<b>description</b>	lid L 420mm W 350mm HVS1000		
<b>For models:</b>	HVS1000		

## air cylinders

air cylinders			
			
1			
<b>GEV No.</b>	692702	<b>Ref. No.</b>	HVS1000-17 YJS820-17
<b>description</b>	air cylinder $\varnothing$ 53mm H 30.5mm shaft length 12.8mm 1 pair		
<b>For models:</b>	HVS1000		

## housing and bezels

			
1			
<b>GEV No.</b>	699610	<b>Ref. No.</b>	HVS1000-34 YJS820-34
<b>description</b>	front panel for vacuum packing machine W 100mm H 40mm HVS1000 L 250mm		
<b>For models:</b>	HVS1000		


## rubber bumper

			
1			
<b>GEV No.</b>	699607	<b>Ref. No.</b>	HVS1000-31 YJS820-31
<b>description</b>	rubber pad H 3mm L 30mm W 20mm 4 pieces		
<b>For models:</b>	HVS1000		


## sealing bars


			
1			
<b>GEV No.</b>	699601	<b>Ref. No.</b>	HVS1000-07 YJS820-7
<b>description</b>	sealing bar L 295mm W 20mm H 24mm		
<b>For models:</b>	HVS1000		

## base plate

			
1			
<b>GEV No.</b>	699617	<b>Ref. No.</b>	HVS1000-24 YJS820-24
<b>description</b>	base plate L 132mm W 105mm H 0.5mm		
<b>For models:</b>	HVS1000		





 <p>1</p>			
<b>GEV No.</b>	699611	<b>Ref. No.</b>	HVS1000-01 YJS820-1
<b>description</b>	base plate L 30mm W 30mm H 2mm 1 pair hole ø 5mm		
<b>For models:</b>	HVS1000		


 <p>1</p>			
<b>GEV No.</b>	699445	<b>Ref. No.</b>	HVS1000-43 YJS820-43
<b>description</b>	base plate L 95mm W 90mm H 0.5mm		
<b>For models:</b>	HVS1000		


miscellaneous


 <p>1</p>			
<b>GEV No.</b>	699604	<b>Ref. No.</b>	HVS1000-48 YJS820-48
<b>description</b>	bracket L 38mm W 36mm H 124mm for microswitch		
<b>For models:</b>	HVS1000		

 <p>1</p>			
<b>GEV No.</b>	699605	<b>Ref. No.</b>	HVS1000-14 YJS820-14
<b>description</b>	clamp L 95mm W 34mm H 48mm		
<b>For models:</b>	HVS1000		

 <p>1</p>			
<b>GEV No.</b>	699608	<b>Ref. No.</b>	HVS1000-10 YJS820-10
<b>description</b>	nut for air inlet thread 1/4"		
<b>For models:</b>	HVS1000		

 <p>1</p>			
<b>GEV No.</b>	699613	<b>Ref. No.</b>	HVS1000-13 YJS820-13
<b>description</b>	plug L 9mm W 6mm 1 pair		
<b>For models:</b>	HVS1000		

 <p>1</p>			
<b>GEV No.</b>	699602	<b>Ref. No.</b>	HVS1000-06 YJS820-6
<b>description</b>	rubber rail L 298mm W 23mm H 9.5mm for sealing bar		
<b>For models:</b>	HVS1000		


 <p>1</p>			
<b>GEV No.</b>	699609	<b>Ref. No.</b>	HVS1000-12 YJS820-12
<b>description</b>	spring L 104mm W 32mm to secure		
<b>For models:</b>	HVS1000		

knobs

universal knobs


 <p>1</p>			
<b>GEV No.</b>	112733	<b>Ref. No.</b>	3.ZCK165BT19010101MGB GDF1104-020 HDF1108-020 HDF2128-020
<b>description</b>	knob zero mark t.max.°C ø 55mm shaft ø 6x4.6mm shaft flat upper black		
<b>For models:</b>	HDF1104, HDF1108, HDF2128		

miscellaneous

			
1			
<b>GEV No.</b>	692677	<b>Ref. No.</b>	HSC350-20 SLZI0001
<b>description</b>	knob ø 26mm grey zero mark for thermostat shaft diameter 6x4mm Qty 1		
<b>For models:</b>	HSC350, HSC350DD, HSC350G, HSC360, HSC360B, HSC360G, HSC360GB		

accessories


rosettes

			
1			
<b>GEV No.</b>	111806	<b>Ref. No.</b>	3.ZCK165BT20010101-1 GDF1104-019 HDF1108-019 HDF2128-019
<b>description</b>	rosette knob ø 16mm ø 55mm		
<b>For models:</b>	HDF1104, HDF1108, HDF2128		


handles and hand wheels

cylindrical handles

fixed


			
1			
<b>GEV No.</b>	692918	<b>Ref. No.</b>	3.HLC30000511A070100
<b>description</b>	cylindrical handle thread M10 ø 30mm L 97mm plastic for vegetable slicer		
<b>For models:</b>	HVC1001		


star handles

			
1			
<b>GEV No.</b>	692919	<b>Ref. No.</b>	3.HBS3000095070100
<b>description</b>	star handle thread M8 ø 40mm L 32mm black for vegetable slicer		
<b>For models:</b>	HVC1001		

handle rails

handle rails

			
1			
<b>GEV No.</b>	699449	<b>Ref. No.</b>	SLZB0020
<b>description</b>	handle rail for fridge L 220mm W 36mm H 23mm grey hole distance 120mm		
<b>For models:</b>	HSC350DD, HSC350G, HSC360, HSC360G		

			
1			
<b>GEV No.</b>	698869	<b>Ref. No.</b>	HSC800-50 SLZB0037
<b>description</b>	handle rail thread M4 L 300mm		
<b>For models:</b>	HSC800, HSC800G		

bracket handles

			
1			
<b>GEV No.</b>	699606	<b>Ref. No.</b>	HVS1000-03 YJS820-3
<b>description</b>	handle L 140mm H 38mm mounting distance 120mm hole ø 8.5mm		
<b>For models:</b>	HVS1000		

			
1			
<b>GEV No.</b>	701522	<b>Ref. No.</b>	B2205000001
<b>description</b>	pull handle L 340mm H 40mm mounting distance 270mm hole ø 4x8mmmm W 26mm		
<b>For models:</b>	HSC300N		

miscellaneous

			
1			
<b>GEV No.</b>	692545	<b>Ref. No.</b>	3.HDF409010101 GDF1104-025
<b>description</b>	handle L 96mm W 64mm hole distance 73mm mounting pos. side panel black		
<b>For models:</b>	HDF1104		





## hinges

### spring assisted hinges

#### producer-specific

#### RWA



1

<b>GEV No.</b>	701318	<b>Ref. No.</b>	Z01AA02A0007
<b>description</b>	spring assisted hinge mounting pos. left/right L 75mm W 25mm H 100mm A 11mm B 15mm intake 7.5x7.5 refrigeration units mounting distance 25.4mm		
<b>For models:</b>	RC700, RN700		



1

<b>GEV No.</b>	701145	<b>Ref. No.</b>	RC600.39 RN600.28
<b>description</b>	spring assisted hinge mounting pos. upper L 65mm W 23mm mounting distance 21mm		
<b>For models:</b>	HFR2600, HRE2600		

### oven hinges



1

<b>GEV No.</b>	701592	<b>Ref. No.</b>	CER30021 STA00028
<b>description</b>	oven hinge set mounting distance 140mm lever length 42mm groove distance 15mm spring thickness 2.9mm L 170mm mounting pos. left/right with opposite support Qty 2 pcs		
<b>For models:</b>	HCO500		

### door bearing



1

<b>GEV No.</b>	701275	<b>Ref. No.</b>	RC600.24 Z01AE62A0005
<b>description</b>	bolt L 19mm mounting pos. lower thread M6 ø 7mm for door hinge Qty 1 pcs		
<b>For models:</b>	HFR2600G, HRE2600		



1

<b>GEV No.</b>	701264	<b>Ref. No.</b>	RN600.16
<b>description</b>	bolt L 32mm mounting pos. lower thread M6 ø 7mm for door hinge Qty 1 pcs		
<b>For models:</b>	HFR2600		



1

<b>GEV No.</b>	701265	<b>Ref. No.</b>	RC600.27 RN600.19
<b>description</b>	bush H 12mm mounting pos. lower ø 19mm ID ø 14.5mm plastic for door hinge Qty 1 pcs		
<b>For models:</b>	HFR2600, HRE2600		




1

<b>GEV No.</b>	701263	<b>Ref. No.</b>	RC600.26 RN600.17 Z01AE62A0012
<b>description</b>	bush H 18mm mounting pos. lower ø 14mm ID ø 7.2mm for door hinge Qty 1 pcs		
<b>For models:</b>	HFR2600, HFR2600G, HRE2600		





1

<b>GEV No.</b>	701280	<b>Ref. No.</b>	WJMA4002
<b>description</b>	door hinge L 42mm W 33mm H 82mm mounting pos. bottom right/left set Qty 1 pcs		
<b>For models:</b>	GSC1100G		


			
1			
<b>GEV No.</b>	701281	<b>Ref. No.</b>	WJMA4005
<b>description</b>	door hinge L 43mm W 82mm H 71mm mounting pos. upper right/left set Qty 1 pcs		
<b>For models:</b>	GSC1100G		


			
1			
<b>GEV No.</b>	698987	<b>Ref. No.</b>	A0706000012
<b>description</b>	door hinge L 64mm W 24mm H 22.6mm mounting pos. lower		
<b>For models:</b>	HSC300N, HSC300N-Silver		


			
1			
<b>GEV No.</b>	694927	<b>Ref. No.</b>	HSC360-29
<b>description</b>	hinge L 105mm W 52mm H 34mm bolt 17mm bolt ø 7mm		


			
1			
<b>GEV No.</b>	692690	<b>Ref. No.</b>	S24AC22A0003
<b>description</b>	hinge L 40mm W 70mm H 22mm mounting distance 2.20mm		
<b>For models:</b>	HSA2600		


			
1			
<b>GEV No.</b>	701144	<b>Ref. No.</b>	RC600.20 RN600.12
<b>description</b>	hinge L 59mm W 27mm H 59mm mounting pos. bottom left		
<b>For models:</b>	HFR2600, HRE2600		


			
1			
<b>GEV No.</b>	701143	<b>Ref. No.</b>	RC600.22 RN600.15
<b>description</b>	hinge L 59mm W 27mm H 59mm mounting pos. bottom right Qty 1 pcs		
<b>For models:</b>	HFR2600, HRE2600		

			
1			
<b>GEV No.</b>	694968	<b>Ref. No.</b>	WJMA2020
<b>description</b>	hinge L 77mm W 19mm H 42mm mounting distance 27mm mounting distance 2 27mm mounting pos. centre thickness 3mm bolt 18/22mm bolt ø 7mm		
<b>For models:</b>	HSC350DD		


			
1			
<b>GEV No.</b>	694926	<b>Ref. No.</b>	HSC360-23 WJMA2012
<b>description</b>	hinge L 82mm W 42mm H 50mm mounting pos. lower bolt 19mm bolt ø 9mm		
<b>For models:</b>	HSC360, HSC360B, HSC360G, HSC360GB		


			
1			
<b>GEV No.</b>	694866	<b>Ref. No.</b>	HSC350-22 WJMA2003
<b>description</b>	hinge mounting pos. lower L 82mm W 53mm H 43mm mounting distance 30mm mounting distance 2 56mm thickness 4mm bolt 20mm bolt ø 7mm		
<b>For models:</b>	HSC350, HSC350B, HSC350DD, HSC350G, HSC350GB		

			
1			
<b>GEV No.</b>	694865	<b>Ref. No.</b>	HSC350-32 WJMA0004
<b>description</b>	hinge mounting pos. upper L 50mm W 33mm H 42mm mounting distance 27mm thickness 3mm bolt 32.5mm bolt ø 9mm Qty 1kg		
<b>For models:</b>	HSC350, HSC350B, HSC350DD, HSC350G, HSC350GB		


			
1			
<b>GEV No.</b>	698883	<b>Ref. No.</b>	Z01AA02A0004
<b>description</b>	hinge bearing L 180mm W 98mm mounting pos. lower Qty 1 pcs		
<b>For models:</b>	RC700, RN700		



			
1			
<b>GEV No.</b>	698884	<b>Ref. No.</b>	S21AA02A0002
<b>description</b>	hinge bearing L 55mm W 35mm H 80mm mounting pos. left thickness 3mm without bolt		
<b>For models:</b>	RC700, RN700		

			
1			
<b>GEV No.</b>	698885	<b>Ref. No.</b>	S21AA02A0003
<b>description</b>	hinge bearing L 55mm W 35mm H 80mm mounting pos. right thickness 3mm without bolt		
<b>For models:</b>	RC700, RN700		

			
1			
<b>GEV No.</b>	699179	<b>Ref. No.</b>	P01AA02A0008
<b>description</b>	hinge camp L 78mm W 28mm H 22mm mounting distance 27mm mounting pos. bottom right thickness 3mm		
<b>For models:</b>	RC700, RN700		

accessories			
base plate			
			
1			
<b>GEV No.</b>	701266	<b>Ref. No.</b>	RC600.42 RN600.34 Z01AE62A0010
<b>description</b>	base plate L 88mm W 35mm thickness 3mm for door hinge mounting pos. lower Qty 1 pcs		
<b>For models:</b>	HFR2600, HFR2600G, HRE2600		

## pullouts

### rollers


#### roller with holder


			
1			
<b>GEV No.</b>	692385	<b>Ref. No.</b>	RC600.23 RN600.11
<b>description</b>	roller rollerø 21mm B1 7mm with holder SS/plastic mounting pos. lower bearing ball bearing Qty 1 pcs L 52mm mounting distance 41mm		
<b>For models:</b>	HFR2600, HRE2600		

## filters

### grease filters

#### grease filter


			
1			
<b>GEV No.</b>	699331	<b>Ref. No.</b>	WJD000050
<b>description</b>	grease filter L 125mm W 120mm H 9mm		
<b>For models:</b>	HIC3500		

accessories			
			
1			
<b>GEV No.</b>	699332	<b>Ref. No.</b>	WJD000049
<b>description</b>	frame SS for filter L 144mm W 152mm		
<b>For models:</b>	HIC3500		

## equipment feet and end caps

### equipment feet

#### with fixing plate

			
1			
<b>GEV No.</b>	701499	<b>Ref. No.</b>	KITFT1AA0A00
<b>description</b>	equipment feet kit tube ø 64mm plate size 85x85mm hole distance 56x56 up to 65x65mm H 120-185mm SS Qty 4 pcs		
<b>For models:</b>	RC700, RN700		

## screw-in feet



1

<b>GEV No.</b>	701593	<b>Ref. No.</b>	PIE30010
<b>description</b>	equipment foot thread M10 thread L 18.5mm ø 49mm H 35mm plastic Qty 4 pcs		
<b>For models:</b>	HCO500		



1

<b>GEV No.</b>	701262	<b>Ref. No.</b>	RC600.19 RN600.13
<b>description</b>	equipment foot thread M10 thread L 40mm ø 36mm H 15.5mm Qty 1 pcs		
<b>For models:</b>	HFR2600, HRE2600		



1

<b>GEV No.</b>	701588	<b>Ref. No.</b>	AB300038
<b>description</b>	equipment foot thread M5 thread L 7mm ø 24mm H 20mm		
<b>For models:</b>	HIC3500		



1

<b>GEV No.</b>	701587	<b>Ref. No.</b>	AB300037
<b>description</b>	equipment foot thread M6 thread L 20mm ø 26mm H 11mm Qty 1 pcs		
<b>For models:</b>	HIC3500		



1

<b>GEV No.</b>	701279	<b>Ref. No.</b>	HSC350-14 WJLB0008
<b>description</b>	equipment foot thread M8 thread L 22mm ø 35mm H 38mm Qty 1 pcs		
<b>For models:</b>	HSC350, HSC350B, HSC350DD, HSC350G, HSC350GB, HSC360, HSC360B, HSC360G, HSC360GB		



1

<b>GEV No.</b>	699434	<b>Ref. No.</b>	1.1.CC32.18
<b>description</b>	equipment foot thread M8 thread L 24mm ø 28mm		
<b>For models:</b>	HCV1100		



1

<b>GEV No.</b>	701521	<b>Ref. No.</b>	B1301000186
<b>description</b>	equipment foot thread M8 thread L 28mm ø 30mm H 38mm Qty 1 pcs		
<b>For models:</b>	HSC300N, HSC300N-Silver		

## bolting feet



1

<b>GEV No.</b>	701555	<b>Ref. No.</b>	HVS1000-40 YJS820-40
<b>description</b>	equipment feet kit ø 39mm H 17mm Qty 4 pcs		
<b>For models:</b>	HVS1000		



1

<b>GEV No.</b>	698546	<b>Ref. No.</b>	3,0000161 GDF1104-026 HDF1108-023 HDF2128-024
<b>description</b>	equipment foot ø 29mm H 16mm rubber bore ø 6mm Qty 1 pcs		
<b>For models:</b>	HDF1104, HDF1108, HDF2128		

## TENTE

with fixing plate

chrome-plated steel



1

<b>GEV No.</b>	710026	<b>Ref. No.</b>	KITCS1AA0A00
<b>description</b>	swivel castor set ø 100mm threaded housing chrome-plated steel plate size 76x96mm hole distance 60mm bearing slide bearing wheel body polypropylene H 135mm wheel width 32mm set		
<b>For models:</b>	RC700, RN700		



miscellaneous

with fixing plate

ø30mm



<b>GEV No.</b>	701277 <sup>1</sup>	<b>Ref. No.</b>	HBC1002-24 HBC2003-24 WJLA1009
<b>description</b>	swivel castor 2 with & 2 without brake ø 30mm plate fixing housing zinc-plated sheet steel plate size 61x51mm hole distance mm capacity 60kg bearing slide bearing wheel body PVC tread PVC H 44mm wheel width 23.5mm		
<b>For models:</b>	HBC1002, HBC2003, HBC2003G		

<sup>1</sup>with swivel brake



<b>GEV No.</b>	701523	<b>Ref. No.</b>	HSC350-13 WJLA2001
<b>description</b>	swivel castor ø 31mm plate fixing H 45mm wheel width 22.5mm Qty 1 pcs		
<b>For models:</b>	HSC350, HSC350B, HSC350DD, HSC350G, HSC350GB, HSC360, HSC360B, HSC360G, HSC360GB		

ø75mm



<b>GEV No.</b>	701282	<b>Ref. No.</b>	HSC800-14 WJLA1002
<b>description</b>	swivel castor set 2 with & 2 without brake ø 75mm plates fixing 102x83mm housing zinc-plated sheet steel hole distance 55/75mm bearing slide bearing H 112mm wheel width 31mm Qty 4 pcs		
<b>For models:</b>	GSC1100G, HSC800, HSC800G		

baskets

crumb screens



<b>GEV No.</b>	970869	<b>Ref. No.</b>	2.HDF405069510 GDF1104-028
<b>description</b>	crumb screen L 220mm W 160mm H 35mm 4 litre		
<b>For models:</b>	HDF1104		



<b>GEV No.</b>	970870	<b>Ref. No.</b>	2.HDF812020609510 HDF1108-032 HDF2128-033
<b>description</b>	crumb screen L 245mm W 200mm H 35mm 8 litre		
<b>For models:</b>	HDF1108, HDF2128		

shelves and shelf rails

grates

universal

without upstand



<b>GEV No.</b>	970801	<b>Ref. No.</b>	HBC2003-40 WJGA9008
<b>description</b>	grate W 345mm D 400mm chrome-plated steel wire gauge frame 6mm lengthwise wires gauge 2.5mm crossing wires 4 Qty 1 pcs		
<b>For models:</b>	HBC2003, HBC2003G		



<b>GEV No.</b>	970800	<b>Ref. No.</b>	WJGA9002
<b>description</b>	grate W 345mm D 500mm chrome-plated steel wire gauge frame 6mm lengthwise wires gauge 2.5mm crossing wires 4 Qty 1 pcs		



<b>GEV No.</b>	970906	<b>Ref. No.</b>	HBC1002-40 WJGA9005
<b>description</b>	grate W 400mm D 345mm chrome-plated steel wire gauge frame 6mm crossing wires 4		
<b>For models:</b>	HBC1002		

with upstand



<b>GEV No.</b>	970925	<b>Ref. No.</b>	S14AC29A0001
<b>description</b>	grate W 325mm D 570mm GN 1/1 H 55mm plastic-coated steel wire gauge frame 7.5mm lengthwise wires gauge 4mm crossing wires 3 grey		
<b>For models:</b>	HSA2600		



<b>GEV No.</b>	970791	<b>Ref. No.</b>	RC600.28
<b>description</b>	grate W 650mm D 530mm GN 2/1 H 10mm plastic-coated steel upper wire gauge frame 8mm lengthwise wires gauge 4mm crossing wires 3 white		
<b>For models:</b>	HRE2600		

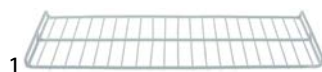


<b>GEV No.</b>	970909	<b>Ref. No.</b>	I01AA09A0002
<b>description</b>	grate W 650mm D 530mm GN 2/1 H 43mm plastic-coated steel wire gauge frame 7mm lengthwise wires gauge 4mm crossing wires 3 grey		
<b>For models:</b>	RC700, RN700		

producer-specific



<b>GEV No.</b>	971150	<b>Ref. No.</b>	RC600.09
<b>description</b>	chargrill grid W 693mm D 303mm H 6mm plastic-coated steel lengthwise wires gauge 4mm crossing wires 4 white		
<b>For models:</b>	HRE2600		



<b>GEV No.</b>	970792	<b>Ref. No.</b>	RC600.25
<b>description</b>	grate W 185mm D 640mm plastic-coated steel lower wire gauge frame 7mm lengthwise wires gauge 3.5mm white		
<b>For models:</b>	HRE2600		



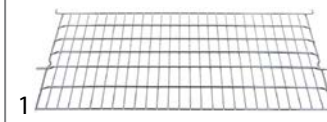
<b>GEV No.</b>	970921	<b>Ref. No.</b>	HSC350-44 WJGA2010
<b>description</b>	grate W 500mm D 425mm H 38mm plastic-coated steel wire gauge frame 6.5mm lengthwise wires gauge 2.5mm crossing wires 6 white Qty 1kg		
<b>For models:</b>	HSC350, HSC350DD, HSC350G		



<b>GEV No.</b>	970910	<b>Ref. No.</b>	HSC360-38
<b>description</b>	grate W 530mm D 380mm H 40mm plastic-coated steel wire gauge frame 6mm lengthwise wires gauge 3mm crossing wires 23		



<b>GEV No.</b>	970799	<b>Ref. No.</b>	WJGA4078
<b>description</b>	grate W 540mm D 505mm H 41mm plastic-coated steel wire gauge frame 6mm lengthwise wires gauge 3mm crossing wires 3 white Qty 1 pcs		
<b>For models:</b>	GSC1100G		



<b>GEV No.</b>	970916	<b>Ref. No.</b>	1.1.B.B02.05.03
<b>description</b>	grate W 610mm D 310mm chrome-plated steel wire gauge frame 5mm lengthwise wires gauge 3mm crossing wires 5		
<b>For models:</b>	HCV1100		



<b>GEV No.</b>	971149	<b>Ref. No.</b>	RN600.05
<b>description</b>	grate W 715mm H 55mm plastic-coated steel L 365mm lengthwise wires gauge 4mm crossing wires 4 white		
<b>For models:</b>	HFR2600		




accessories

1 


<b>GEV No.</b>	699311	<b>Ref. No.</b>	HSC800-46
<b>description</b>	profile L 400mm W 28mm H 15mm for grate		

shelf rails and supports

producer-specific

1 

<b>GEV No.</b>	698882	<b>Ref. No.</b>	S21AA09A0001
<b>description</b>	guide L 1240mm W 35mm inner height 30mm hook width 16.5mm mounting pos. left/right		
<b>For models:</b>	RC700, RN700		

1 


<b>GEV No.</b>	698870	<b>Ref. No.</b>	HBC1002-26 HBC2003-26 LCCJ2001
<b>description</b>	guide L 390mm W 25mm mounting pos. left/right inner height 4mm		
<b>For models:</b>	HBC1002, HBC2003, HBC2003G		

1 


<b>GEV No.</b>	701500	<b>Ref. No.</b>	KITGD1AA0A00
<b>description</b>	pair of setting bar L 670mm W 15mm H 20mm mounting pos. left/right pair		
<b>For models:</b>	RC700, RN700		

1 


<b>GEV No.</b>	696443	<b>Ref. No.</b>	KITGD4AC2A00
<b>description</b>	pair of setting bar U-shape L 548mm W 20mm inner height 13mm mounting pos. left/right		
<b>For models:</b>	HSA2600		

1 


<b>GEV No.</b>	701269	<b>Ref. No.</b>	RC600.29
<b>description</b>	rack L 1172mm W 22mm aluminium hole distance 13mm Qty 1 pcs aperture 3x8mm		
<b>For models:</b>	HRE2600		

1 


<b>GEV No.</b>	698887	<b>Ref. No.</b>	HSC800-27
<b>description</b>	rack L 1400mm W 25mm H 4.5mm hole distance 21mm Qty 1 pcs		

1 


<b>GEV No.</b>	701550	<b>Ref. No.</b>	S24AC29A0002
<b>description</b>	rack L 244mm W 50mm H 8mm mounting pos. front		
<b>For models:</b>	HSA2600		

1 


<b>GEV No.</b>	701548	<b>Ref. No.</b>	S24AC29A0004
<b>description</b>	rack L 245mm W 40mm H 30mm mounting pos. left		
<b>For models:</b>	HSA2600		

1 


<b>GEV No.</b>	701549	<b>Ref. No.</b>	S24AC29A0005
<b>description</b>	rack L 245mm W 40mm H 30mm mounting pos. right		
<b>For models:</b>	HSA2600		

1 

<b>GEV No.</b>	692398	<b>Ref. No.</b>	HBC1002-41 HBC1003-41 HBC2003-41 LCCK0002
<b>description</b>	shelf support L 24mm W 9mm H 29mm aluminium for fridge Qty 1 pcs		
<b>For models:</b>	HBC1002, HBC2003, HBC2003G		



<b>GEV No.</b>	692387	<b>Ref. No.</b>	RC600.32
<b>description</b>	shelf support L 31/28mm W 22mm H 19mm Qty 1 pcs		
<b>For models:</b>	HRE2600		



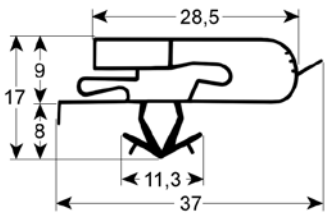
<b>GEV No.</b>	694591	<b>Ref. No.</b>	HSC350-27 SLZE0028
<b>description</b>	shelf support L 33mm W 9mm H 27mm aluminium for fridge Qty 1 pcs		
<b>For models:</b>	HSC350, HSC350B, HSC350DD, HSC350G, HSC350GB		

## gaskets

### refrigeration gaskets

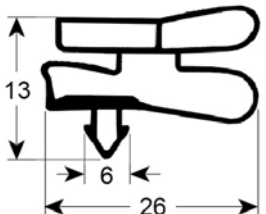
#### plug-in gaskets

##### profile 9146

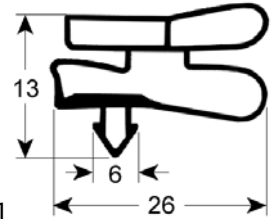


<b>GEV No.</b>	902133	<b>Ref. No.</b>	R01AA02A0005
<b>description</b>	refrigeration gasket profile 9146 W 630mm L 1500mm plug size		
<b>For models:</b>	RC700, RN700		

##### profile 9149

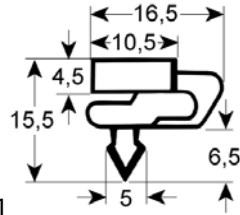


<b>GEV No.</b>	902216	<b>Ref. No.</b>	R04AC22A0002
<b>description</b>	refrigeration gasket profile 9149 W 385mm L 480mm plug size		
<b>For models:</b>	HSA2600		

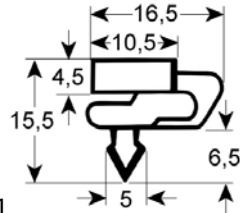


<b>GEV No.</b>	901524	<b>Ref. No.</b>	RC600.40 RN600.29
<b>description</b>	refrigeration gasket profile 9149 W 720mm L 1710mm plug size		
<b>For models:</b>	HFR2600, HRE2600		

##### profile 9156

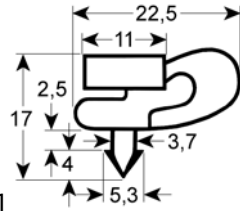


<b>GEV No.</b>	901662	<b>Ref. No.</b>	SLJP4007
<b>description</b>	door seal profile 9156 W 569mm L 1295mm plug size Qty 1 pcs		
<b>For models:</b>	GSC1100G		



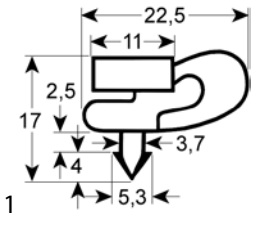
<b>GEV No.</b>	901648	<b>Ref. No.</b>	HSC350-45 SLJP2010
<b>description</b>	refrigeration gasket profile 9156 W 595mm L 1340mm plug size Qty 1 pcs		
<b>For models:</b>	HSC350, HSC350G		

##### profile 9161



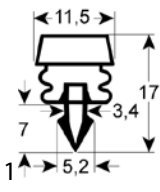
<b>GEV No.</b>	902208	<b>Ref. No.</b>	HSC360-39 SLJP2025
<b>description</b>	refrigeration gasket profile 9161 W 590mm L 1540mm plug size		
<b>For models:</b>	HSC360, HSC360G		



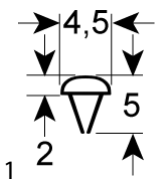
<b>GEV No.</b>	902465	<b>Ref. No.</b>	SLJP2015
<b>description</b>	refrigeration gasket profile 9161 W 590mm L 650mm plug size		
<b>For models:</b>	HSC350DD		

profile 9314



<b>GEV No.</b>	902158	<b>Ref. No.</b>	HSC800-53
<b>description</b>	refrigeration gasket profile 9314 Wmm L 1200mm		

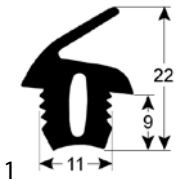
miscellaneous



<b>GEV No.</b>	902210	<b>Ref. No.</b>	HBC2003-52 JNMA0000
<b>description</b>	gasket L 930mm Qty 1 dimensions 5x6mm		
<b>For models:</b>	HBC1002, HBC2003		

**gaskets for heated units**

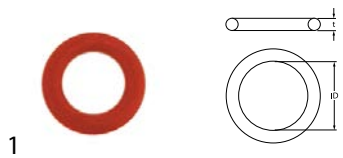
door seals



<b>GEV No.</b>	902446	<b>Ref. No.</b>	GUA30015
<b>description</b>	door seal profile 2718 L 5500mm		
<b>For models:</b>	HCO500		

**O-rings**


silicone



<b>GEV No.</b>	371100	<b>Ref. No.</b>	HVS1000-04 YJS820-4
<b>description</b>	O-ring silicone thickness 1.78mm ID ø 6.07mm Qty 1 pcs		
<b>For models:</b>	HVS1000		

**shaft gaskets**


shaft gaskets



<b>GEV No.</b>	692922	<b>Ref. No.</b>	4.01.FB1535721
<b>description</b>	shaft seal ID ø 15mm ED ø 35mm for vegetable slicer H 15mm		
<b>For models:</b>	HVC1001		


**special gaskets**

for vacuum packers




<b>GEV No.</b>	699618	<b>Ref. No.</b>	HVS1000-08 YJS820-8
<b>description</b>	lid gasket L 1365mm		
<b>For models:</b>	HVS1000		


miscellaneous




<b>GEV No.</b>	698545	<b>Ref. No.</b>	3.0000404 HDF1108-036 HDF2128-037
<b>description</b>	gasket ED ø 31mm ID ø 21mm		
<b>For models:</b>	HDF1108, HDF2128		




<b>GEV No.</b>	698543	<b>Ref. No.</b>	3.0000403 HDF1108-037 HDF2128-038
<b>description</b>	gasket external high 4mm ED ø 25mm ID ø 16mm		
<b>For models:</b>	HDF1108, HDF2128		




<b>GEV No.</b>	750693	<b>Ref. No.</b>	1.1.A.A04.01
<b>description</b>	dryer ø 19mm L 120.5mm connection 2/5mm Qty 1 pcs		
<b>For models:</b>	HCV1100		




<b>GEV No.</b>	750378	<b>Ref. No.</b>	C01AE66A0001 RC600.03 RN600.04
<b>description</b>	dryer ø 19mm L 145mm connection 4,5/8mm type XH9 Qty 1 pcs		
<b>For models:</b>	HFR2600, HFR2600G, HRE2600, HSA2600		



<b>GEV No.</b>	750641	<b>Ref. No.</b>	C01AA06A0001
<b>description</b>	dryer ø 29mm L 120.5mm connection 8/8mm Qty 1 pcs		
<b>For models:</b>	RC700, RN700		



<b>GEV No.</b>	750382	<b>Ref. No.</b>	HSC350-10 HSC800-10 TCGV0002 HSC350-10 TCGV0009
<b>description</b>	dryer ø 18.5mm L 120mm connection 4/7mm Qty 1 pcs		
<b>For models:</b>	GSC1100G, HSC800, HSC800G		
<b>accessories for</b>	750382		
	<b>GEV No.</b>	694868	<b>Ref. No.</b> HSC350-11
bracket for dryer L 40mm W 30mm H 31mm Qty 1 pcs			




<b>GEV No.</b>	750635	<b>Ref. No.</b>	C01AA06A0006
<b>description</b>	dryer ø 58mm L 120mm connection 1/4" ODF type SDCL-032S Qty 1 pcs		
<b>For models:</b>	RC700, RN700		

## refrigeration cycle components

### valves

#### Schrader valves

##### Schrader valves (complete)



<b>GEV No.</b>	750636	<b>Ref. No.</b>	C01AA06A0003
<b>description</b>	Schrader valve complete connection 1/4" SAE ø 6mm L 120mm		
<b>For models:</b>	RC700, RN700		


#### filter driers

##### accessories

##### holders



<b>GEV No.</b>	699297	<b>Ref. No.</b>	HBC1002-10 HBC2003-10 HSC360-15 HSC800-11 SLJAC008
<b>description</b>	bracket L 40mm W 30mm H 31mm ID ø 18mm ED ø 22mm for dryer		
<b>For models:</b>	GSC1100G, HBC1002, HBC2003, HBC2003G, HSC350, HSC350B, HSC350DD, HSC350G, HSC350GB, HSC360, HSC360B, HSC360G, HSC360GB, HSC800, HSC800G		



<b>GEV No.</b>	750381	<b>Ref. No.</b>	HBC1002-09 HBC2003-09 HSC360-14 TCGV0002
<b>description</b>	dryer ø 18.5mm L 115.5mm connection 2,4/5,2mm Qty 1 pcs		
<b>For models:</b>	HBC1002, HBC2003, HBC2003G, HSC350, HSC350B, HSC350DD, HSC350G, HSC350GB, HSC360, HSC360B, HSC360G, HSC360GB		



refrigeration pipes


capillary pipes




1	<b>GEV No.</b>	694914	<b>Ref. No.</b>	C01AA06A0002
	<b>description</b>	capillary pipe L 2790mm ED ø 1.4mm Qty 1		
	<b>For models:</b>	RC700, RN700		


copper pipes uninsulated

1			
<b>GEV No.</b>	692730	<b>Ref. No.</b>	HBC1002-12 HBC2003-12 TCGO3004
<b>description</b>	copper pipe ID ø 4mm ED ø 6mm L 0.095m		
<b>For models:</b>	HBC1002, HBC2003, HBC2003G		


1			
<b>GEV No.</b>	692418	<b>Ref. No.</b>	1.1.B.B06.26
<b>description</b>	refrigeration pipe copper ID ø 5mm ED ø 6mm L 1m Qty 1		
<b>For models:</b>	HCV1100		

1			
<b>GEV No.</b>	692699	<b>Ref. No.</b>	1.1.B.B06.27
<b>description</b>	refrigeration pipe ID ø 3.5mm ED ø 5mm L 0.1m		


copper pipes insulated

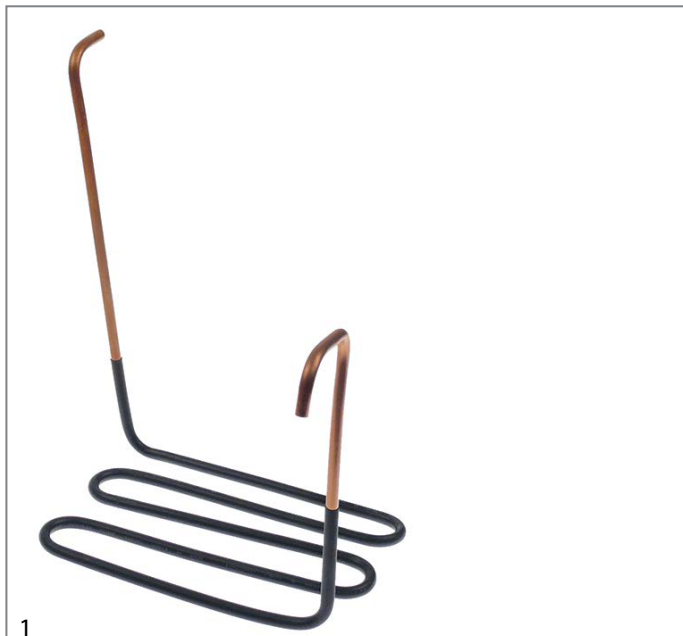
1			
<b>GEV No.</b>	694913	<b>Ref. No.</b>	C01AA06A0004
<b>description</b>	copper pipe with insulation thickness 8mm insulation thickness 4mm L 1060mm Qty 1		
<b>For models:</b>	RC700, RN700		

insulation

1			
<b>GEV No.</b>	694930	<b>Ref. No.</b>	RC600.10
<b>description</b>	insulating hose thickness 8mm model 3/8"x5/8" refrigeration ID ø 20mm		
<b>For models:</b>	HRE2600		

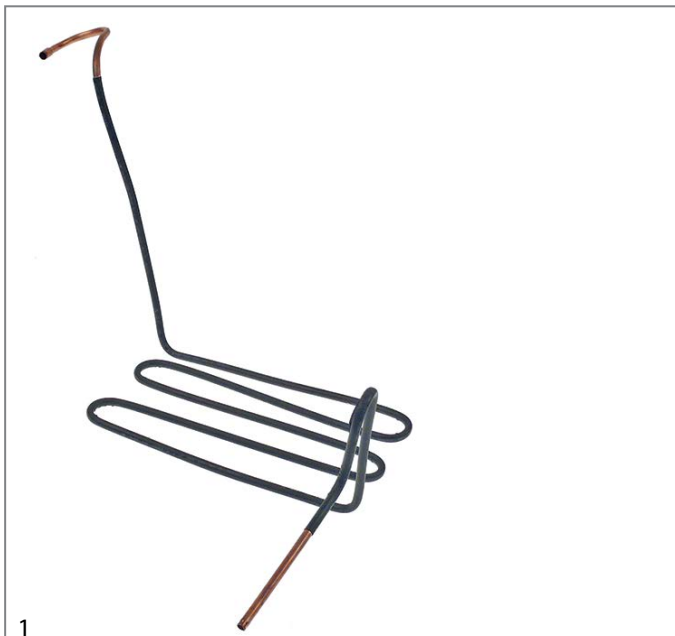
heating tubes

1			
<b>GEV No.</b>	701501	<b>Ref. No.</b>	C01AA06A0005
<b>description</b>	heater ED ø 6.5mm ID ø 4.5mm L 210mm Qty 1		
<b>For models:</b>	RC700		



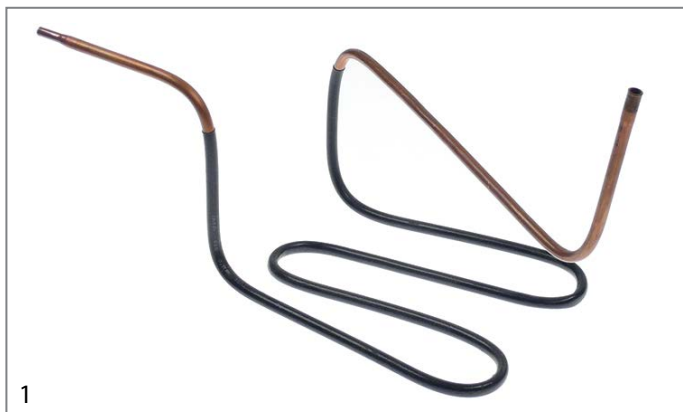
1

<b>GEV No.</b>	701556	<b>Ref. No.</b>	C01AA46A0005
<b>description</b>	heater ED ø 6.5mm ID ø 5mm L 200mm		
<b>For models:</b>	RN700		



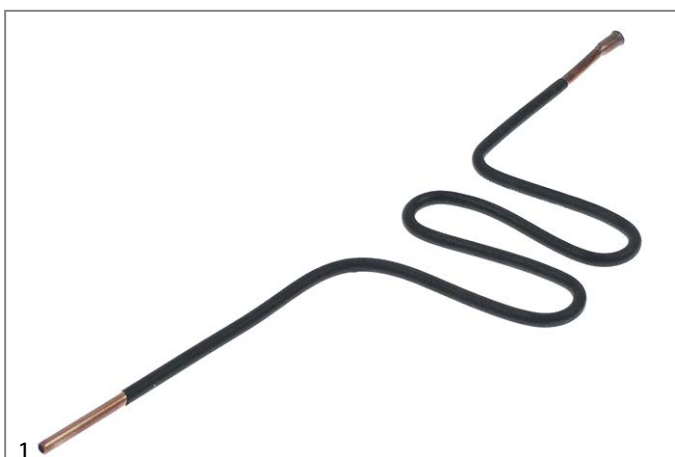
1

<b>GEV No.</b>	701495	<b>Ref. No.</b>	HSC800-08 TCGD4010
<b>description</b>	heater ED ø 6mm ID ø 5mm Qty 1m for evaporator connection ø 6mm		
<b>For models:</b>	GSC1100G, HSC800, HSC800G		



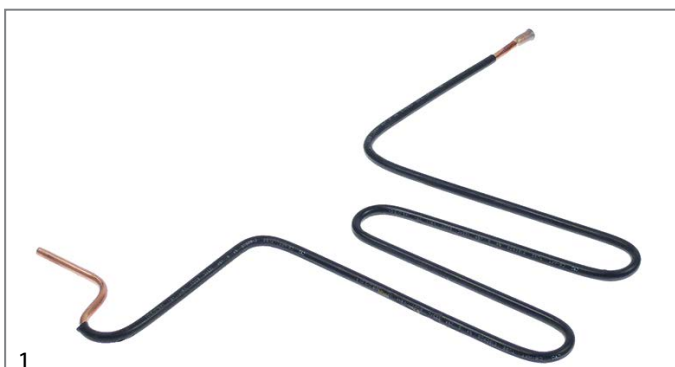
1

<b>GEV No.</b>	701584	<b>Ref. No.</b>	RC600.07 RC600.15
<b>description</b>	heater ED ø 6mm ID ø 5mm L 330mm copper		
<b>For models:</b>	HRE2600		



1

<b>GEV No.</b>	701432	<b>Ref. No.</b>	HSC350-08 HSC360-12 TCGD2012
<b>description</b>	heater pipe ED ø 5mm ID ø 3mm L 350mm copper Qty 1		



1

<b>GEV No.</b>	701582	<b>Ref. No.</b>	HBC1002-11 HBC2003-11 TCGD2001
<b>description</b>	heater pipe ED ø 5mm ID ø 3mm L 355mm H 250mm		



# evaporators

## for fridges

### producer-specific



1

<b>GEV No.</b>	750640	<b>Ref. No.</b>	C01AA48A0001
<b>description</b>	condenser L 245mm W 255mm D 160mm overall height 290mm		
<b>For models:</b>	RN700		



1

<b>GEV No.</b>	750367	<b>Ref. No.</b>	RN600.31
<b>description</b>	evaporator for deep freezer GFR2600 L 600mm W 450mm H 1200mm		
<b>For models:</b>	HFR2600		



1

<b>GEV No.</b>	750766	<b>Ref. No.</b>	A0802010015
<b>description</b>	evaporator for deep freezer W 450mm H 1200mm L 600mm HSC300N		
<b>For models:</b>	HSC300N, HSC300N-Silver		



1

<b>GEV No.</b>	750387	<b>Ref. No.</b>	TLZA9000
<b>description</b>	evaporator for fridge GBC1001 L 430mm W 500mm		



1

<b>GEV No.</b>	750376	<b>Ref. No.</b>	HBC1002-38 TLZD9001
<b>description</b>	evaporator for fridge GBC1002 L 760mm W 500mm		
<b>For models:</b>	HBC1002		



1

<b>GEV No.</b>	750456	<b>Ref. No.</b>	HSC360-21
<b>description</b>	evaporator for fridge HSC360 L 780mm W 495mm		



1

<b>GEV No.</b>	750361	<b>Ref. No.</b>	RC600.04
<b>description</b>	evaporator for fridge L 1000mm W 471mm		
<b>For models:</b>	HRE2600		



1

<b>GEV No.</b>	750377	<b>Ref. No.</b>	TLZD9002
<b>description</b>	evaporator for fridge L 1000mm W 500mm		
<b>For models:</b>	HBC2003, HBC2003G		



1


<b>GEV No.</b>	750634	<b>Ref. No.</b>	HBC2003-38
<b>description</b>	evaporator L 1000mm W 510mm		

1 mechanical components, equipment accessories



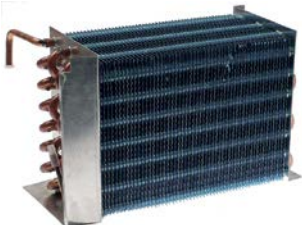
1

<b>GEV No.</b>	750638	<b>Ref. No.</b>	C01AA07A0001
<b>description</b>	evaporator L 245mm W 135mm H 190mm total length 310mm overall width 230mm overall height 190mm RC 700 series		
<b>For models:</b>	RC700		




1

<b>GEV No.</b>	750637	<b>Ref. No.</b>	C01AA08A0001
<b>description</b>	evaporator L 257mm W 255mm H 122mm overall width 260mm mounting distance 1 187mm		
<b>For models:</b>	RC700		




1

<b>GEV No.</b>	750639	<b>Ref. No.</b>	C01AA47A0001
<b>description</b>	evaporator L 305mm W 185mm H 135mm total length 290mm		
<b>For models:</b>	RN700		



1

<b>GEV No.</b>	750660	<b>Ref. No.</b>	HSC800-42 TLZA4003
<b>description</b>	evaporator L 620mm W 225mm H 160mm		
<b>For models:</b>	HSC800		



1

<b>GEV No.</b>	750375	<b>Ref. No.</b>	TLZA4004
<b>description</b>	evaporator L 760mm W 140mm H 225mm		

for display coolers




1

<b>GEV No.</b>	750648	<b>Ref. No.</b>	1.1.A.A10.85
<b>description</b>	evaporator L 305mm W 50mm H 115mm total length 305mm overall width 50mm overall height 150mm		
<b>For models:</b>	HCV1100		

accessories

miscellaneous




1

<b>GEV No.</b>	701268	<b>Ref. No.</b>	RN600.32
<b>description</b>	U profile for evaporator L 635mm W 16mm H 13mm aluminium Qty 1 pcs		
<b>For models:</b>	HFR2600		

condensers

filters

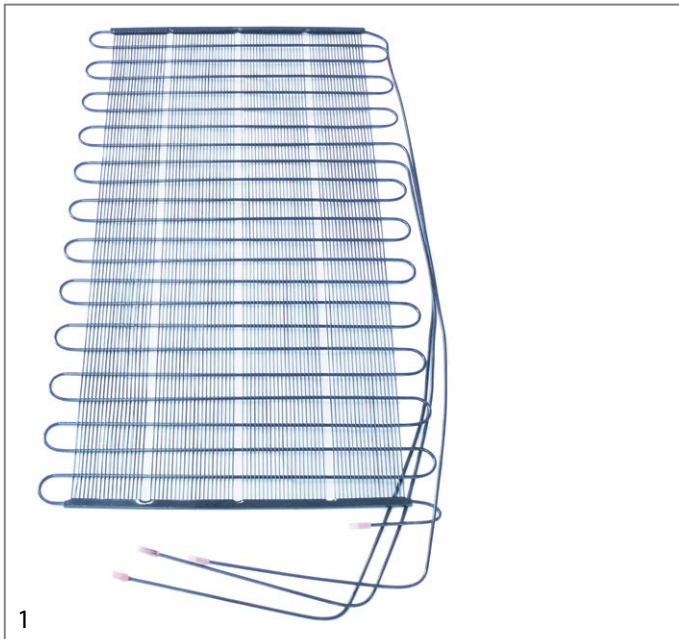


1

<b>GEV No.</b>	699402	<b>Ref. No.</b>	P04AC28A0002
<b>description</b>	filter for condenser L 218mm W 230mm thickness 6mm Qty 1 pcs		
<b>For models:</b>	HSA2600		

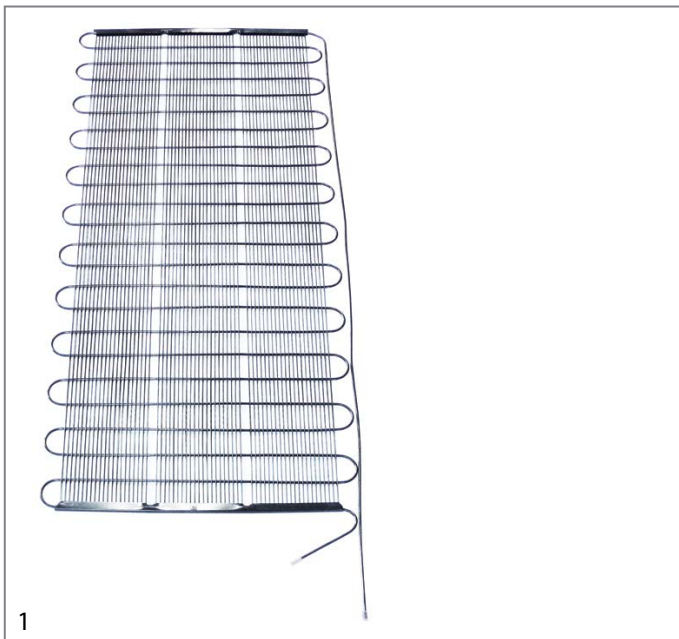


condensers



1

<b>GEV No.</b>	750379	<b>Ref. No.</b>	RN600.03
<b>description</b>	condenser for deep freezer W 640mm H 1165mm Qty 1 pcs		
<b>For models:</b>	HFR2600		



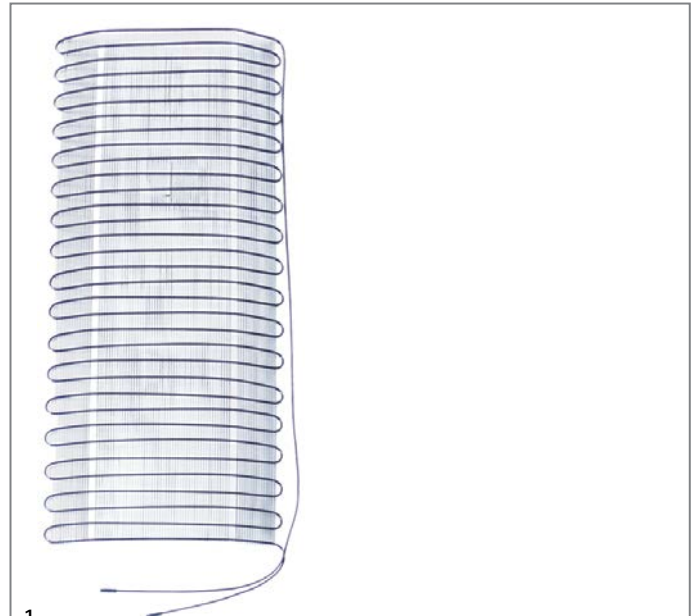
1

<b>GEV No.</b>	750360	<b>Ref. No.</b>	RC600.05
<b>description</b>	condenser for fridge W 500mm H 1170mm Qty 1 pcs		
<b>For models:</b>	HRE2600		



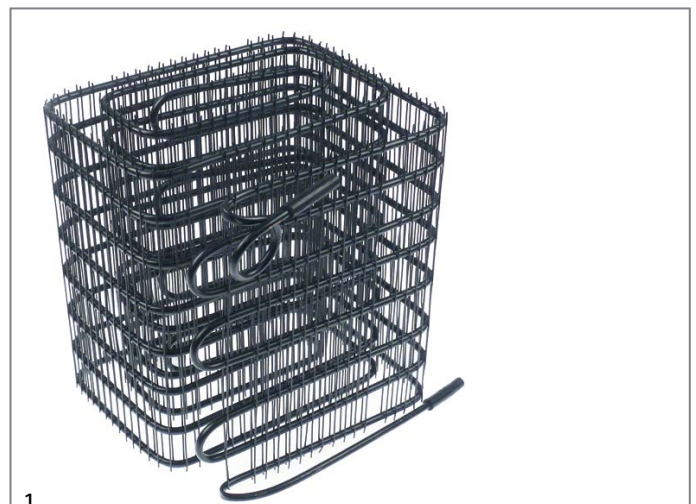
1

<b>GEV No.</b>	750649	<b>Ref. No.</b>	1.1.A.A09.08
<b>description</b>	condenser for vitrine W 330mm D 140mm H 280mm Qty 1 pcs		



1

<b>GEV No.</b>	750346	<b>Ref. No.</b>	HSC350-02
<b>description</b>	condenser L 1430mm W 520mm		
<b>For models:</b>	HSC350, HSC350B		



1

<b>GEV No.</b>	750373	<b>Ref. No.</b>	DTLA9002 HBC2003-06
<b>description</b>	condenser W 190mm D 160mm H 205mm Qty 1 pcs		
<b>For models:</b>	HBC2003, HBC2003G		



1

<b>GEV No.</b>	750372	<b>Ref. No.</b>	DTLA9000
<b>description</b>	condenser W 195mm D 80mm H 205mm Qty 1 pcs		



1

<b>GEV No.</b>	750659	<b>Ref. No.</b>	HSC800-06
<b>description</b>	condenser W 290mm D 180mm H 215mm Qty 1 pcs		



1

<b>GEV No.</b>	750347	<b>Ref. No.</b>	C04AC28A0001
<b>description</b>	condenser W 220mm D 100mm H 230mm L 270mm		
<b>For models:</b>	HSA2600		



1

<b>GEV No.</b>	750374	<b>Ref. No.</b>	DTLA4008
<b>description</b>	condenser W 555mm D 100mm H 275mm Qty 1 pcs		

## evaporation and condensing trays

### evaporation trays



1

<b>GEV No.</b>	750385	<b>Ref. No.</b>	HBC1002-06
<b>description</b>	condenser W 255mm D 180mm H 205mm Qty 1 pcs		



1

<b>GEV No.</b>	750696	<b>Ref. No.</b>	P01AA03A0010
<b>description</b>	drip tray L 298mm W 118mm H 22mm		
<b>For models:</b>	RC700, RN700		





1


<b>GEV No.</b>	699302	<b>Ref. No.</b>	GBC1001-12 SLZJ0021
<b>description</b>	evaporation tray L 185mm W 130mm H 75mm		






 <p>1</p>			
<b>GEV No.</b>	699299	<b>Ref. No.</b>	HSC350-09 HSC360-13 SLZJ0014
<b>description</b>	evaporation tray L 210mm W 105mm H 80mm		
<b>For models:</b>	HSC350, HSC350B, HSC350DD, HSC350G, HSC350GB, HSC360, HSC360B, HSC360G, HSC360GB		

 <p>1</p>			
<b>GEV No.</b>	750695	<b>Ref. No.</b>	S21AA43A0006
<b>description</b>	evaporation tray L 312mm W 244mm H 13mm		
<b>For models:</b>	RN700		

 <p>1</p>			
<b>GEV No.</b>	750380	<b>Ref. No.</b>	RC600.06
<b>description</b>	evaporation tray unheated L 205mm W 155mm H 78mm for deep freezer Qty 1 pcs		
<b>For models:</b>	HRE2600		

### unheated condensing trays


 <p>1</p>			
<b>GEV No.</b>	750632	<b>Ref. No.</b>	HBC1002-14 HBC2003-14 SLZJ0022
<b>description</b>	drip tray L 187mm W 128mm H 70mm plastic		
<b>For models:</b>	HBC1002, HBC2003, HBC2003G		

 <p>1</p>			
<b>GEV No.</b>	750631	<b>Ref. No.</b>	HSC800-09 SLZJ0015
<b>description</b>	drip tray L 302mm W 204mm H 85mm plastic		
<b>For models:</b>	GSC1100G, HSC800, HSC800G		

## transmission technology and ball bearings


### ball bearings

#### deep-groove ball bearings 2RS

 <p>1</p>			
<b>GEV No.</b>	523510	<b>Ref. No.</b>	4.01.6202GBT294166
<b>description</b>	deep-groove ball bearing type 6202-2RS shaft ø 15mm ED ø 35mm W 11mm with sealing discs deep-groove ball bearing DIN 625-1		
<b>For models:</b>	HVC1001		

## springs


### compression springs


 <p>Image not available</p> <p>1</p>			
<b>GEV No.</b>	692920	<b>Ref. No.</b>	4.02.00000049
<b>description</b>	compression spring ø 10mm L 18mm wire gauge ø 1mm windings 5.75 for vegetable slicer		
<b>For models:</b>	HVC1001		

 <p>1</p>			
<b>GEV No.</b>	692701	<b>Ref. No.</b>	1.1.B.B10.06
<b>description</b>	spring L 4mm wire gauge ø 1mm windings 5 D1 ø 9.5mm		

### gas tension springs


#### gas tension springs

 <p>1</p>			
<b>GEV No.</b>	701553	<b>Ref. No.</b>	HVS1000-21 YJS820-21
<b>description</b>	gas tension spring left 80N D1 ø 6mm D2 ø 15mm L 162mm HVS1000		
<b>For models:</b>	HVS1000		

			
1			
<b>GEV No.</b>	701554	<b>Ref. No.</b>	HVS1000-46 YJS820-46
<b>description</b>	gas tension spring right 80N D1 ø 6mm D2 ø 15mm L 162mm HVS1000		
<b>For models:</b>	HVS1000		

			
1			
<b>GEV No.</b>	504817	<b>Ref. No.</b>	HVS1000-29 YJS820-29
<b>description</b>	T-piece SS hose ø 10-10-10mm		
<b>For models:</b>	HVS1000		

## manometers

			
1			
<b>GEV No.</b>	542340	<b>Ref. No.</b>	HVS1000-35 YJS820-35
<b>description</b>	manometer ø 41mm pressure range 0-1bar connection 5mm		
<b>For models:</b>	HVS1000		

			
1			
<b>GEV No.</b>	504823	<b>Ref. No.</b>	HVS1000-28 YJS820-28
<b>description</b>	cross fitting SS hose ø 10-10-10-10mm L 57mm W 57mm		
<b>For models:</b>	HVS1000		

## hoses


### formed hoses

#### miscellaneous

			
1			
<b>GEV No.</b>	699420	<b>Ref. No.</b>	1.1.C.C41.13
<b>description</b>	formed hose ID ø 19mm ED ø 24mm L 150mm		
<b>For models:</b>	HCV1100		

## hose connectors

### producer-specific

			
1			
<b>GEV No.</b>	699615	<b>Ref. No.</b>	HVS1000-11 YJS820-11
<b>description</b>	hose connector for hose ID 10mm connection 1/4"mm L-shape		
<b>For models:</b>	HVS1000		

## fittings, hose and pipe connectors

### hose connectors

#### without screw connection

			
1			
<b>GEV No.</b>	699612	<b>Ref. No.</b>	HVS1000-15 YJS820-15
<b>description</b>	T-piece plastic hose ø 5-5-5mm		
<b>For models:</b>	HVS1000		

## measuring equipment

### thermometers

#### built-in thermometers

##### battery powered

			
1			
<b>GEV No.</b>	381411	<b>Ref. No.</b>	A0812010004
<b>description</b>	thermometer mounting measurements 47x27mm battery comp. rear -50 up to +70°C probe ø6x20mm cable length 1500mm		
<b>For models:</b>	HSC300N, HSC300N-Silver		



## fastening material

### screws

#### hexagonal screws



1

<b>GEV No.</b>	699616	<b>Ref. No.</b>	HVS1000-23 YJS820-23
<b>description</b>	screw thread M10 thread L 26mm WS 17 Qty 2 pcs head thickness 7mm L 60mm		
<b>For models:</b>	HVS1000		

### nuts

#### hexagonal nuts

DIN 934 / ISO 4032/8673



1

<b>GEV No.</b>	560197	<b>Ref. No.</b>	HVS1000-20 YJS820-20
<b>description</b>	nut thread M10 H 8mm WS 17 SS DIN/ISO DIN 934 / ISO 4032/8673 Qty 1 pcs		
<b>For models:</b>	HVS1000		



1

<b>GEV No.</b>	506166	<b>Ref. No.</b>	HVS1000-16 YJS820-16
<b>description</b>	nut thread M12 H 10mm WS 19 SS DIN/ISO DIN 934 / ISO 4032/8673 Qty 1 pcs		
<b>For models:</b>	HVS1000		

### miscellaneous



1

<b>GEV No.</b>	551380	<b>Ref. No.</b>	DAD30010
<b>description</b>	cage nut thread M10 Qty 4 pcs		
<b>For models:</b>	HCO500		

### washers

#### washers

#### miscellaneous



1

<b>GEV No.</b>	560593	<b>Ref. No.</b>	HVS1000-22 YJS820-22
<b>description</b>	plain washer ID ø 10.5mm ED ø 15.8mm thickness 1mm SS Qty 4 pcs		
<b>For models:</b>	HVS1000		

### fasteners

#### roll pins



1

<b>GEV No.</b>	692923	<b>Ref. No.</b>	4.01.D05035GBT879_512
<b>description</b>	roll pin ø 5mm L 35mm		
<b>For models:</b>	HVC1001		



<b>A</b>			
appliance sockets/plugs	24	heating elements for refrigeration	3
axial fans	19	hexagonal nuts	59
<b>B</b>		hexagonal screws	59
ballasts	9	hose connectors	58, 58
bi-metal thermostats	4, 4	hoses	58
<b>C</b>		hot air fans	22
cable glands	24	<b>I</b>	
cables	24	indicator lights	7
capillary pipes	51	indicator lights (complete)	7
castors and bumper angles	44	induction coils	3
cold air circulating fans	21	insulation	51
compressors	16	<b>L</b>	
condensators & interference suppression filters	23	lamps	7
connection cables	25	LED	7
control thermostats	4	<b>M</b>	
copper pipes insulated	51	magnetic switches	6
copper pipes uninsulated	51	measuring equipment	58
cross flow fans	22	mechanical timers	11
<b>D</b>		microswitches	6
door seals	49	motors	23
<b>E</b>		<b>N</b>	
electric accessories	24	nuts	59
electronic controllers	12	<b>O</b>	
evaporators	53	O-rings	49
<b>F</b>		oven hinges	41
fans	19	oven lamps	10
fasteners	59	<b>P</b>	
fastening material	59	plug-in gaskets	48
filter driers	50	plugs - couplings - power sockets	24
fluorescent lamps	8, 8	position switches	6
formed hoses	58	power supply cables	24
fridge lamps	10	probes	14
fuses	23	pumps	23
<b>G</b>		push/momentary push switches	5
gaskets for heated units	49	PVC cable	24
grates	45	<b>R</b>	
group 1	51	refrigeration cycle components	50
group 4	50	refrigeration fans	20
<b>H</b>		refrigeration gaskets	48
heating cables	3	refrigeration motors universal	20
heating elements	3	refrigeration pipes	51
heating elements for convection	3	refrigeration thermostats	4
heating elements for defrosting	3	relays	11
heating elements for fryers	3	rocker/momentary rocker switches	5
		roll pins	59

**S**

Schrader valves	50
screws	59
shaft gaskets	49
shelves and shelf rails	45
solenoid valves	15
spring assisted hinges	41
starter	9
starting capacitors	23
strain reliefs	25
switches and momentary switches	5

**T**

temperature probes	14
terminal boxes	25
terminals	25
thermostats	4
threaded cable glands	24
timers	11
transformers	11

**U**

universal probes	14
------------------	----

**V**

vacuum pumps	23
--------------	----

**W**

washers	59
---------	----