



**GAS COMPONENTS**



**ELECTRIC COMPONENTS**



**WATER TECHNOLOGY**



**MECHANICAL COMPONENTS**



**TOOLS**

Spare parts suitable for

**MAIRALI**

Find the complete and up-to-date range of products in our GEV Webshop



# Manufacturer catalogue

The most important spare parts and accessories arranged clearly for every manufacturer

- ✓ Complete product range and all appliance data always up to date in the GEV Webshop
- ✓ Alphabetical Index at the end of the catalogue

## GEV Webshop

[www.gev-online.co.uk](http://www.gev-online.co.uk)

[www.gev-online.com](http://www.gev-online.com)





- 🔍 Add to Favourites
- 🔍 Sign In with email address and usual password
- 🔍 Easy-order – place several items in your basket at the same time
- 🔍 Quick Item search – no login needed



## heating elements

### heating elements for coffee machine

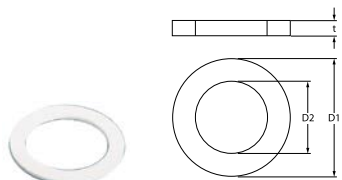
			
1			
<b>GEV No.</b>	417116	<b>Ref. No.</b>	N/A
<b>description</b>	heating element 1800W 230V heating circuits 2 mounting $\varnothing$ 42mm hole distance 74mm L 240mm W 36mm H 44mm L1 25mm L2 40mm L3 173mm H1 31mm H2 12mm hole $\varnothing$ 9mm tube $\varnothing$ 8.5mm thermostat sleeves $\varnothing$ 6mm length thermostat sleeves 205mm thermostat sleeve not clinging number of thermostat sleeves 1 connection M4 immersion heater 2 hole flange		

			
1			
<b>GEV No.</b>	417105	<b>Ref. No.</b>	02212538
<b>description</b>	heating element 3700W 230V heating circuits 2 mounting $\varnothing$ 42mm hole distance 74mm L 530mm W 28mm H 50mm L1 30mm L2 75mm L3 400mm H1 25mm H2 25mm hole $\varnothing$ 9mm tube $\varnothing$ 8.4mm thermostat sleeves $\varnothing$ 7.5mm length thermostat sleeves 185mm thermostat sleeve eccentric, non clinging number of thermostat sleeves 1 connection M6 immersion heater 2 hole flange suitable for FAEMA		

### accessories

#### sealing washers

#### PTFE gaskets

			
1			
<b>GEV No.</b>	528002	<b>Ref. No.</b>	N/A
<b>description</b>	flat gasket PTFE ED $\varnothing$ 57mm ID $\varnothing$ 42mm thickness 3mm Qty 1 pcs equiv. no. 12001/W10470 suitable for		

## keypads


### front foils

			
1			
<b>GEV No.</b>	402386	<b>Ref. No.</b>	08272106
<b>description</b>	keypad foil grey L 80mm W 44mm buttons 5		

## flow meters and flow sensors

### flow meters

#### accessories universal



			
1			
<b>GEV No.</b>	400319	<b>Ref. No.</b>	N/A
<b>description</b>	adapter for flow meter		

## pumps

### booster pumps II

#### pump heads

#### FLUID-O-TECH

			
1			
<b>GEV No.</b>	500064	<b>Ref. No.</b>	07822109
<b>description</b>	pump head PO204 FLUID-O-TECH L 82mm 200l/h connection 3/8" GAS with bypass brass clip connection for coffee machine shaft $\varnothing$ 4.8x11mm		
<b>accessories for</b>	500064		
		<b>GEV No.</b>	520126
		<b>Ref. No.</b>	—
	clamp for pump/motor		

## equipment-specific units


### for espresso machines

#### filter holders

#### filter holders standard

#### handles

#### with bore

			
1			
<b>GEV No.</b>	529117	<b>Ref. No.</b>	N/A
<b>description</b>	handle $\varnothing$ 31mm aperture 10x10mm L 135mm black		



1

<b>GEV No.</b>	529047	<b>Ref. No.</b>	N/A
----------------	--------	-----------------	-----

<b>description</b>	handle ø 35mm aperture 13x13mm L 95mm black		
--------------------	---	--	--

## gaskets

### sealing washers

#### PTFE gaskets



1

<b>GEV No.</b>	528002	<b>Ref. No.</b>	N/A
----------------	--------	-----------------	-----

<b>description</b>	flat gasket PTFE ED ø 57mm ID ø 42mm thickness 3mm Qty 1 pcs equiv. no. 12001/W10470 suitable for		
--------------------	--	--	--

## manometers



1

<b>GEV No.</b>	541578	<b>Ref. No.</b>	N/A
----------------	--------	-----------------	-----

<b>description</b>	manometer double scale ø 60mm pressure range 0-2.5 / 0-16bar connection on the backside thread 1/8"		
--------------------	--	--	--



1

<b>GEV No.</b>	541247	<b>Ref. No.</b>	N/A
----------------	--------	-----------------	-----

<b>description</b>	manometer ø 52mm pressure range 0 up to 2bar connection on the backside marking 1.6 thread 1/8"		
--------------------	--	--	--

**B**

booster pumps II 3

**F**

flow meters 3

**H**

heating elements 3

heating elements for coffee machine 3

**P**

pumps 3

**S**

sealing washers 4