



GAS COMPONENTS



ELECTRIC COMPONENTS



WATER TECHNOLOGY



MECHANICAL COMPONENTS



TOOLS

Spare parts suitable for

MARCFI

Find the complete and up-to-date range of products in our GEV Webshop



Manufacturer catalogue

The most important spare parts and accessories arranged clearly for every manufacturer

- ✓ Complete product range and all appliance data always up to date in the GEV Webshop
- ✓ Alphabetical Index at the end of the catalogue

GEV Webshop

www.gev-online.co.uk



www.gev-online.com





- 🔍 Add to Favourites
- 🔍 Sign In with email address and usual password
- 🔍 Easy-order – place several items in your basket at the same time
- 🔍 Quick Item search – no login needed


heating elements



heating elements for coffee machine



 <p>1</p>			
GEV No.	417071	Ref. No.	N/A
description	heating element 1000W 230V heating circuits 2 mounting \varnothing 40mm hole distance 52mm L 150mm W 40mm H 26mm hole \varnothing 9mm tube \varnothing 8mm immersion heater 3 hole flange suitable for Marcfi Ancas		
accessories for	417071		
	GEV No.	528027	Ref. No. —
	gasket ID \varnothing 41mm fibre thickness 2mm hole \varnothing 10mm hole distance 50mm for heating element coffee machine parts		


 <p>1</p>			
GEV No.	417069	Ref. No.	N/A
description	heating element 1100W 400V heating circuits 1 mounting \varnothing 40mm hole distance 52mm L 330mm W 38mm H 56mm L1 22mm L2 40mm L3 268mm H1 30mm windings 1 hole \varnothing 9mm connection cable immersion heater 3 hole flange suitable for Marcfi Ancas cable length 108mm		

 <p>1</p>			
GEV No.	417070	Ref. No.	N/A
description	heating element 1350W 230V heating circuits 1 mounting \varnothing 40mm hole distance 52mm L 334mm W 38mm H 30mm L1 20mm L2 40mm L3 270mm H2 21.5mm windings 1 hole \varnothing 9mm tube \varnothing 8.5mm connection cable immersion heater 3 hole flange suitable for Marcfi Ancas cable length 65mm		

 <p>1</p>			
GEV No.	417504	Ref. No.	BM-2083 1
description	heating element 1500W 220V heating circuits 2 mounting \varnothing 40mm hole distance 52mm L 150mm W 40mm H 26mm hole \varnothing 9mm tube \varnothing 8mm immersion heater suitable for Marcfi Ancas cable length 70mm		

 <p>1</p>			
GEV No.	417072	Ref. No.	N/A
description	heating element 3000W 230V heating circuits 2 mounting \varnothing 40mm hole distance 52mm L 355mm W 36mm H 25mm hole \varnothing 9mm connection cable immersion heater 3 hole flange suitable for Marcfi Ancas cable length 105mm		
accessories for	417072		
	GEV No.	528027	Ref. No. —
	gasket ID \varnothing 41mm fibre thickness 2mm hole \varnothing 10mm hole distance 50mm for heating element coffee machine parts		


 <p>1</p>			
GEV No.	417073	Ref. No.	N/A
description	heating element 3000W 400V heating circuits 2 mounting \varnothing 40mm hole distance 52mm L 339mm W 37mm H 26mm hole \varnothing 8mm tube \varnothing 8.5mm connection cable immersion heater 3 hole flange suitable for Marcfi Ancas cable length 80mm		
accessories for	417073		
	GEV No.	528027	Ref. No. —
	gasket ID \varnothing 41mm fibre thickness 2mm hole \varnothing 10mm hole distance 50mm for heating element coffee machine parts		

 <p>1</p>			
GEV No.	417068	Ref. No.	N/A
description	heating element 650W 230V heating circuits 1 mounting \varnothing 40mm hole distance 52mm L 145mm W 34mm H 43mm L1 20mm L2 62mm L3 80mm H1 8mm H2 35mm windings 1 hole \varnothing 9mm tube \varnothing 8mm connection cable immersion heater 3 hole flange suitable for Marcfi Ancas cable length 100mm		


accessories

sealing washers

PTFE gaskets

 <p>1</p>			
GEV No.	528007	Ref. No.	AB-425 E
description	flat gasket PTFE ED \varnothing 50mm ID \varnothing 40mm thickness 2.5mm Qty 1 pcs		

flange gaskets

 <p>1</p>			
GEV No.	528340	Ref. No.	TKF-5146
description	gasket ID \varnothing 40.5mm fibre thickness 3mm hole \varnothing 10mm hole distance 52mm for heating element coffee machine parts		




switches and momentary switches

rocker/momentary rocker switches

25.5x25mm



1

GEV No.	347422 ¹	Ref. No.	BH-2214
description	rocker switch mounting measurements 25x25mm blue 2NO 250V 10A 0-I connection male faston 6.3mm protection IP40		
accessories for	347422		
	GEV No.	301323	Ref. No. —
	protective cover external size 35x35mm H 11mm transparent suitable for rocker switch mounting measurements 25.5x25mm L 35mm W 35mm		

¹illuminated

rotary switches

GOTTAK



1

GEV No.	346088	Ref. No.	N/A
description	rotary switch 4 0-1-2-3 400V 16A shaft round connection male faston		

lamps

indicator lights

indicator lights (complete)

ø 9mm



1

GEV No.	359135	Ref. No.	BJ-2057
description	indicator light ø 9mm 230V red connection male faston 6.3mm temp.-resist. 120°C with lens		

contactors

LS Industrial Systems

power contactors



1

GEV No.	380922	Ref. No.	BL-2029
description	power contactor resistive load 20A 230VAC (AC3/400V) 5A/2.2kW main contacts 3NO auxiliary contacts 1NO connection screw connection type GMC-6M		

relays

level relays

GICAR



1

GEV No.	402103	Ref. No.	BH-2226
description	level controller 230/240V voltage AC 50/60Hz connection F6.3 type NRL30/1E-2C/F		

keypads


keypad units




1

GEV No.	402846	Ref. No.	BM-2020 BM-2020G
description	keypad unit buttons 5 red/black suitable for Marcfi Ancas type 1d5 GRC NKP S10 lighting LED 250V L 137mm W 43mm		



			
1			
GEV No.	402807	Ref. No.	BM-2014
description	keypad unit buttons 5 type CONTROL d 230V		

			
1			
GEV No.	402809	Ref. No.	BM-2075
description	keypad unit for dosing pump buttons 5 suitable for Marcfi Ancas		

equipment-specific units

for espresso machines

filter holders

filter holders standard

filter holders long

			
1			
GEV No.	529153	Ref. No.	N/A
description	filter holder mounting ø 75mm hole ø 8mm outlet 3/8" ID ø 63.5mm handle M8 number of wedges 3		

filters

for 1 cup

			
1			
GEV No.	529100	Ref. No.	N/A
description	coffee filter ø 66.5mm mounting ø 57mm H 25mm cups 1 amount of coffee 7g		

			
1			
GEV No.	529098	Ref. No.	N/A
description	coffee filter ø 70mm mounting ø 60.3mm H 22mm cups 1 amount of coffee 7g		

for 2 cups


			
1			
GEV No.	529101	Ref. No.	N/A
description	coffee filter ø 67mm mounting ø 57mm H 25mm cups 2 amount of coffee 14g		

			
1			
GEV No.	529099	Ref. No.	N/A
description	coffee filter ø 70mm mounting ø 60.7mm H 22mm cups 2 amount of coffee 14g		

brewing units

shower screens

flat

			
1			
GEV No.	529136	Ref. No.	N/A
description	shower screen ø 51.6mm hole ø 13.1mm		

			
1			
GEV No.	529138	Ref. No.	BJ-5394
description	shower screen ø 54.6mm hole ø 10mm type M-920		

with upstand

			
1			
GEV No.	529140	Ref. No.	N/A
description	shower screen ø 59.5mm H 12.5mm		

filter holder gaskets

flat

standard



1

GEV No.	528059	Ref. No.	N/A
description	filter holder gasket D1 ø 65mm D2 ø 53mm H 5.3mm Qty 1 pcs		



1

GEV No.	528060	Ref. No.	N/A
description	filter holder gasket D1 ø 73.5mm D2 ø 59.5mm H 7.5mm Qty 1 pcs		



1

GEV No.	528061	Ref. No.	N/A
description	filter holder gasket D1 ø 73mm D2 ø 59mm H 8.5mm Qty 1 pcs		

brewing units manual

components

gaskets



1

GEV No.	526856	Ref. No.	E-732
description	gasket D1 ø 13mm ID ø 4mm thickness 4mm Viton		

components

nozzles

with thread



1

GEV No.	526889	Ref. No.	F.2.003
description	nozzle bore ø 0.6mm thread M5 L 20mm		

screws



1

GEV No.	531051	Ref. No.	BH-5921 I
description	screw thread M10x1.5 L 19mm thread L 6mm stainless steel Qty 1 pcs intake slotted edition until July 2002		

gaskets



1

GEV No.	529189	Ref. No.	TKD-5053
description	group gasket L 91mm W 73mm thickness 2mm hole distance 58mm suitable for Marcfi Ancas fibre		

water dispersions

water dispersions

group 3



1

GEV No.	531043	Ref. No.	BH-5920 L
description	water distributor ø 59mm H 13mm 10 holes hole ø 10mm brass perforation ø 1.8mm		

2-piece



1

GEV No.	529149	Ref. No.	N/A
description	water distributor D1 ø 16mm D2 ø 13mm thread M10x1.5 hole ø 2mm perforation ø 1mm 4 holes H 13.3mm brass suitable for Marcfi Ancas		



1

GEV No.	529128	Ref. No.	N/A
description	water distributor D1 ø 53.5mm thread M10x1.5 H 15mm brass suitable for Marcfi Ancas mounting ø 6.1mm bore ø 11mm		



drain pans

drain pans



1

GEV No.	531039	Ref. No.	BM-5145
description	drain pan L 305mm W 110mm suitable for Marcfi Ancas		

steam/water taps

steam/water taps

components

gaskets



1

GEV No.	526856	Ref. No.	E-732
description	gasket D1 ø 13mm ID ø 4mm thickness 4mm Viton		

steam/water pipes

steam pipes



1

GEV No.	531036	Ref. No.	BM-2022
description	steam pipe edition until March 2005 suitable for Marcfi Ancas		



1

GEV No.	531048	Ref. No.	BM-2113
description	steam pipe thread 3/8" ø 14mm tube ø 10mm		



1

GEV No.	531037	Ref. No.	BM-2041
description	steam pipe thread 3/8" ø 14mm tube ø 8mm M 990, M 920 & A 93 edition until May 2006 suitable for Marcfi Ancas		

water pipes



1

GEV No.	531049	Ref. No.	BM-2111
description	water pipe thread 3/8" ø 24mm tube ø 8mm suitable for Marcfi Ancas M 990		

fine filters

fine filters



1

GEV No.	528788	Ref. No.	BM-5101
description	fine filter pipe ø 11mm H 10mm		

intake valves

intake valves



1

GEV No.	531034	Ref. No.	BL-2011
description	intake valve inlet 3/8" outlet 3/8" for Marcfi Ancas		

level glasses

level glasses

level glass pipes



1

GEV No.	529438	Ref. No.	N/A
description	water level tube ø 13mm H 113mm for M-920		

screw connections



1

GEV No.	526891	Ref. No.	L120/1CR
description	screw connection thread M10 hole ø 3.8mm H 33mm WS 12 chrome-plated		

knobs

steam/water taps

steam/water taps



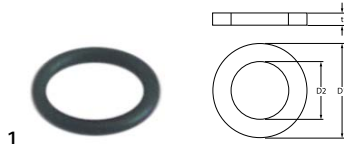
1

GEV No.	111398	Ref. No.	BL-3046 BM-3162
description	turning handle ø 39.5mm L 50mm shaft 7.5x7.5mm black		

gaskets

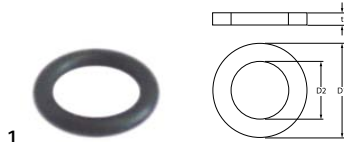
O-rings

EPDM



1

GEV No.	528333	Ref. No.	TKF-5071
description	O-ring EPDM thickness 2.62mm ID ø 13.1mm Qty 1 pcs		



1

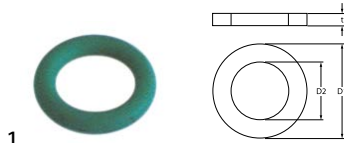
GEV No.	528487	Ref. No.	A-266
description	O-ring EPDM thickness 2.62mm ID ø 9.19mm Qty 1 pcs		



1

GEV No.	528396	Ref. No.	TKF-5153
description	O-ring EPDM thickness 2mm ID ø 7.2mm Qty 1 pcs		

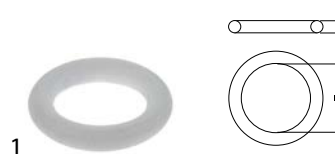
Viton



1

GEV No.	531030	Ref. No.	TKF-5151 TKF-5154
description	O-ring Viton thickness 2.62mm ID ø 9.19mm Qty 1 pcs		

PTFE



1

GEV No.	528217	Ref. No.	TKF-5140
description	O-ring PTFE thickness 2.62mm ID ø 9.92mm Qty 1 pcs		

sealing washers

aluminium gaskets



1

GEV No.	560307	Ref. No.	TKA-5001
description	flat gasket aluminium ED ø 21mm ID ø 17mm thickness 1.5mm Qty 1 pcs		

PTFE gaskets



1

GEV No.	528007	Ref. No.	AB-425 E
description	flat gasket PTFE ED ø 50mm ID ø 40mm thickness 2.5mm Qty 1 pcs		

special gaskets

group gaskets



1

GEV No.	529189	Ref. No.	TKD-5053
description	group gasket L 91mm W 73mm thickness 2mm hole distance 58mm suitable for Marcfi Ancas fibre		





1


GEV No.	529169	Ref. No.	N/A
description	group gasket L 79.5mm W 79.5mm thickness 3mm suitable for Marcfi Ancas hole distance 55mm		




manometers

 <p>1</p>			
GEV No.	541612	Ref. No.	BL-2014 BL-2015
description	manometer double scale ø 63mm pressure range 0-3 / 0-15bar connection on the backside thread 1/4" / 1/8" with adapter for Marcfi Ancas		

 <p>1</p>			
GEV No.	541777	Ref. No.	BL-2014
description	manometer double scale ø 63mm pressure range 0-3 / 0-15bar connection on the backside thread 1/8"		

 <p>1</p>			
GEV No.	541284	Ref. No.	N/A
description	manometer ø 52mm pressure range 0 up to 15bar connection on the backside marking 6/7 thread 1/4"		

 <p>1</p>			
GEV No.	541250	Ref. No.	N/A
description	manometer ø 72mm pressure range 0 up to 3bar thread 1/4" marking 0.7-1 connection on the backside		

C

contactors 4

H

heating elements 3

heating elements for coffee machine 3

I

indicator lights 4

indicator lights (complete) 4

L

lamps 4

O

O-rings 8

R

relays 4

rocker/momentary rocker switches 4

rotary switches 4

S

sealing washers 8

switches and momentary switches 4