



GAS COMPONENTS



ELECTRIC COMPONENTS



WATER TECHNOLOGY



MECHANICAL COMPONENTS



TOOLS

Spare parts suitable for

MARELS

Find the complete and up-to-date range of products in our GEV Webshop



Manufacturer catalogue

The most important spare parts and accessories arranged clearly for every manufacturer

- ✓ Complete product range and all appliance data always up to date in the GEV Webshop
- ✓ Alphabetical Index at the end of the catalogue

GEV Webshop

www.gev-online.co.uk

www.gev-online.com




- 🔍 Add to Favourites
- 🔍 Sign In with email address and usual password
- 🔍 Easy-order – place several items in your basket at the same time
- 🔍 Quick Item search – no login needed



heating elements

heating elements for fryers

2 hole fixing





GEV No.	419031	Ref. No.	965.009.00
description	heating element 3400/3700W 230/240V heating circuits 1 L 405mm W 44mm H 228mm L1 25mm L2 380mm H1 192mm H2 36mm thread M14x1.5 mounting distance 36mm tube ø 8.5mm 2 hole fixing connection M5 immersion heater windings 4 fryer		


immersion heating elements


3 hole flange ø38.5mm

connection angled





GEV No.	420212	Ref. No.	465.008.14	
description	heating element 2000W 230V mounting ø 38.5mm heating circuits 1 L 330mm W 33mm H 16mm hole distance 57mm hole ø 10mm tube ø 6mm connection male faston 6.3mm immersion heater 3 hole flange			
accessories for	420212			
	GEV No.	532577	Ref. No.	—
	O-ring EPDM thickness 5.34mm ID ø 40.65mm Qty 1 pcs			




GEV No.	419033	Ref. No.	465.009.00	
description	heating element 4500W 230V mounting ø 38.5mm heating circuits 3 L 295mm W 28mm H 35mm L1 30mm L2 265mm H2 30mm hole distance 58mm hole ø 10mm tube ø 6.3mm connection male faston 6.3mm immersion heater 3 hole flange			
spare parts for	419033			
	GEV No.	521120	Ref. No.	—
	O-ring EPDM thickness 5.34mm ID ø 37.47mm Qty 1 pcs			

3 hole flange ø47.5mm



GEV No.	419032	Ref. No.	465.010.13	
description	heating element 4500W 230V mounting ø 47.5mm heating circuits 3 L 285mm W 32mm H 40mm number of thermostat sleeves 1 thermostat sleeves ø 7.5mm length thermostat sleeves 233mm thermostat sleeve eccentric, clinging tube ø 6.3mm hole distance 63mm hole ø 8mm connection length 25mm connection M4 3 hole flange immersion heater			
accessories for	419032			
	GEV No.	510408	Ref. No.	—
	O-ring EPDM thickness 5.34mm ID ø 47mm Qty 1 pcs			

heating elements for convection



GEV No.	418020	Ref. No.	999.22.042
description	heating element 7800W 230V heating circuits 3 ID ø 264mm ED ø 277mm L 315mm H 100mm L1 35mm W1 101mm H1 29mm H2 67mm flange length 142mm flange width 23mm hole distance 63mm connection M4 connection length 75mm tube ø 6.3mm convection heating element mounting thread M4 rectangular flange		

thermostats

control and safety thermostats

EGO

control thermostats

55.10/19_ series

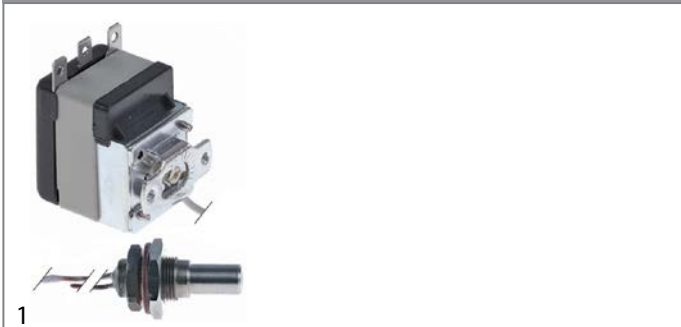




GEV No.	375948	Ref. No.	461.016.00 461.016.01
description	thermostat t.max. 90°C temperature range 30-90°C 1-pole 1CO 16A probe ø 6mm probe L 102mm capillary pipe 1000mm capillary pipe isolated 960mm gland nut shaft Lmm shaft position rotation 180°		



CAEM

control thermostats

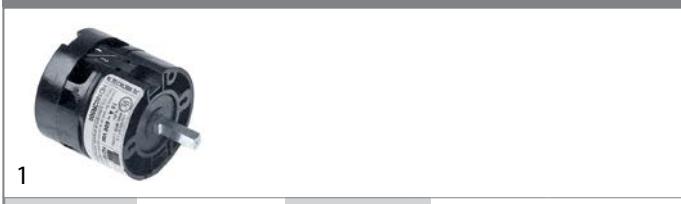



GEV No.	390672	Ref. No.	46101500
description	thermostat t.max. 53°C temperature range fixed 53°C 1-pole 1CO 16A probe ø 9.5mm probe L 30mm capillary pipe 600mm capillary pipe isolated 540mm gland nut shaft Lmm screw-in probe probe thread M14x1		
spare parts for	390672		
	GEV No.	510417	Ref. No. —
	flat gasket fibre ED ø 20mm ID ø 14mm thickness 2mm Qty 1 pcs		
	GEV No.	550261	Ref. No. —
	nut thread M14x1 H 4mm WS 19 SS Qty 1 pcs		

switches and momentary switches

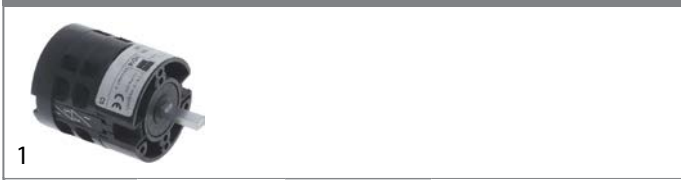
rotary switches

TECNOMATIC



GEV No.	300331	Ref. No.	461.030.00
description	rotary switch 2 0-1 sets of contacts 2 type HD1602R000 600V 16A shaft ø 4x6mm shaft L 17mm shaft 6x6 connection screw ED ø 43mm L 39mm		
accessories for	300331		
	GEV No.	111012	Ref. No. —
	knob switch zero mark t.max.°C°C ø 34/60mm shaft ø 5x5mm shaft flat black H 22mm L 50mm		

miscellaneous



GEV No.	300329	Ref. No.	461.045.00
description	rotary switch sets of contacts 4 3 1-0-2 momentary type HD16 600V 16A shaft square connection screw ambient temperature max. 75°C		

pressure switches

for warewashing

ø 58mm with male faston 6.3mm

with connection horizontal



GEV No.	542137	Ref. No.	462.012.00
description	pressure control pressure range 100/65mbar connection male faston 6.3mm ø 58mm pressure connection horizontal warewashing pressure connection ø 6mm		





GEV No.	541133	Ref. No.	462.003.00
description	pressure control pressure range 60/25mbar connection male faston 6.3mm ø 58mm pressure connection horizontal warewashing pressure connection ø 6mm		

pumps

wash and rinse pumps

LGB



GEV No.	500583	Ref. No.	46408200 46408300
description	pump inlet ø 28mm outlet ø 26mm type ZF130SX 230V 50Hz 1 phase 0.2kW 0.27HP L 195mm rotation direction right capacitor 6.3µF LGB		
spare parts for	500583		
	GEV No.	509004	Ref. No. 46410600
	impeller ø 71mm H 16mm M7L rotation direction right shaft ø 13mm shaft length 13mm blades 8		
	GEV No.	510703	Ref. No. —
	mechanical shaft seal for shaft ø 13mm slide ring H 13mm height counter ring 5.5mm ED ø 26mm		








1

GEV No.	500553	Ref. No.	464.013.00
description	pump inlet ø 45mm outlet ø 38mm type ZF290SX 230V 50Hz 1 phase 0.65kW 0.88HP L 200mm rotation direction right capacitor 12.5µF auxiliary pressure connection 13mm supporting pressure open LGB		
spare parts for	500553		
	GEV No.	365014	Ref. No. —
	operating capacitor capacity 12.5µF 450V tolerance 5%Hz ambient temperature max. -25 to +85°C ø 35mm L 70mm M8 plastic connection male faston 6.3mm 45S.C3DS.12.5 protection		
	GEV No.	510702	Ref. No. —
	mechanical shaft seal height counter ring 5.5mm ID ø 12mm		
	GEV No.	521106	Ref. No. 464.021.00
	impellor ø 97mm H 24mm rotation direction right thread M8L seat ø 8.2mm blades 5		
	GEV No.	521542	Ref. No. —
	pump cover LGB inlet ø 45mm outlet ø 40mm auxiliary pressure connection 13mm supporting pressure open ø 150mm ID ø 120mm inner high 25mm		
	GEV No.	521714	Ref. No. —
	pump cover gasket thickness 4x4mm Qty 1 pcs		

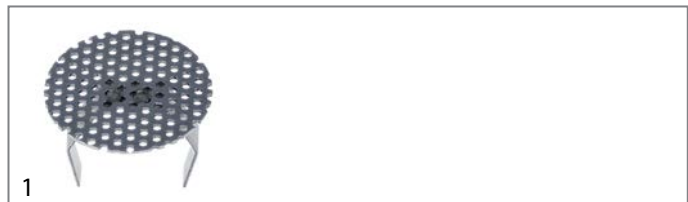


1

GEV No.	500512	Ref. No.	464.015.00
description	pump inlet ø 45mm outlet ø 40mm type ZF340VSX 230V 50Hz 1 phase 0.75kW 1HP L 245mm rotation direction right capacitor 16µF LGB		
spare parts for	500512		
	GEV No.	365021	Ref. No. —
	operating capacitor capacity 16µF 425V tolerance 5% 50/60Hz ambient temperature max. -25 to +85°C ø 35mm L 73mm single M8 plastic connection male faston 6.3mm 416.10.99 protection		
	GEV No.	510702	Ref. No. —
	mechanical shaft seal height counter ring 5.5mm ID ø 12mm		
	GEV No.	521246	Ref. No. 464.022.00 464.031.00
	impellor ø 103mm H 26mm thread M8L shaft ø 20mm shaft length 7mm seat ø 8.2mm blades 6		
	GEV No.	521542	Ref. No. —
	pump cover LGB inlet ø 45mm outlet ø 40mm auxiliary pressure connection 13mm supporting pressure open ø 150mm ID ø 120mm inner high 25mm		
	GEV No.	521714	Ref. No. —
	pump cover gasket thickness 4x4mm Qty 1 pcs		

equipment-specific units

for pasta cookers



1

GEV No.	697881	Ref. No.	611.266.00
description	drain filter for pasta cooker ø 40mm stainless steel		


for dishwashers

hood mechanics for dishwashers

bolts


			
1			
GEV No.	510793	Ref. No.	441.079.00
description	screw bolt ED ø 10mm L 33mm thread M6		

springs

 <p>Image not available</p>			
1			
GEV No.	519403	Ref. No.	260.014.00
description	spring hood mechanics L 475mm ø 20mm		

linkage


			
1			
GEV No.	510708	Ref. No.	412.130.00
description	linkage L 270mm for dishwasher hood mechanics		

			
1			
GEV No.	510689	Ref. No.	412.078.00
description	linkage L 530mm for dishwasher hood mechanics		

friction rings


			
1			
GEV No.	510796	Ref. No.	451.024.00
description	slide ring for dishwasher ED ø 19mm ID ø 12mm thickness 1.5mm		

rollers


			
1			
GEV No.	510795	Ref. No.	451.079.00
description	roller ø 36mm H 19mm for hood mechanics plastic grey hole ø 10mm		

air traps


			
1			
GEV No.	510111	Ref. No.	451.036.00
description	air trap ø 34mm H 130mm hose ø 6mm plastic		
spare parts for	510111		
	GEV No.	504618	Ref. No. —
	O-ring EPDM thickness 2.62mm ID ø 15.54mm Qty 1 pcs		
	GEV No.	510075	Ref. No. —
	flat gasket rubber ED ø 22mm ID ø 13mm thickness 1.5mm Qty 1 pcs		
	GEV No.	510106	Ref. No. —
	hose connector for air trap		


			
1			
GEV No.	510653	Ref. No.	451.036.00
description	air trap ø 34mm H 95mm hose ø 6mm plastic		


door mechanics


 <p>Image not available</p>			
1			
GEV No.	519404	Ref. No.	260.018.00
description	spring L 255mm ø 19mm		





1 			
GEV No.	519394	Ref. No.	260.017.00
description	tension spring ø 19mm L1 230mm		


1 			
GEV No.	519400	Ref. No.	260.012.00
description	tension spring ø 19mm L1 300mm		


linkage			
1 			
GEV No.	518591	Ref. No.	412.094.00
description	tie bar L 215mm ø 5mm		


sliding plates			
1 			
GEV No.	518590	Ref. No.	451.091.00
description	sliding plate		


hinges			
 Image not available 1			
GEV No.	519401	Ref. No.	412.038.00
description	hinge mounting pos. left		


screw connections			
1 			
GEV No.	511919	Ref. No.	451.022.01
description	quick-fit retaining nut		


washing and rinsing systems			
1 			
GEV No.	524654	Ref. No.	441.041.00
description	rinse arm shaft mounting pos. upper ø 16mm H 61mm thread M12x1		

1 			
GEV No.	510794	Ref. No.	441.040.00
description	rinse jet H 11.6mm thread M6 WS 8		


1 			
GEV No.	510796	Ref. No.	451.024.00
description	slide ring for dishwasher ED ø 19mm ID ø 12mm thickness 1.5mm		

1 			
GEV No.	524653	Ref. No.	411.049.00
description	throttle disc ED ø 90mm ID ø 16mm		

1 			
GEV No.	510797	Ref. No.	412.173.00
description	wash pipe suitable for MARELS, MODULAR		

hinges			
door bearing			
 Image not available 1			
GEV No.	519402	Ref. No.	451.099.00
description	bush for door hinge		


miscellaneous



1

GEV No.	519395	Ref. No.	412.037.00
description	door hinge mounting pos. right		

rubber gaskets




1

GEV No.	510876	Ref. No.	N/A
description	flat gasket rubber ED ø 45mm ID ø 33mm thickness 3mm Qty 1 pcs		

gaskets

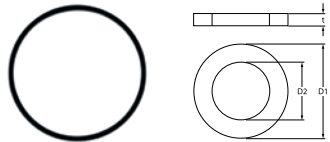
O-rings

EPDM



1

GEV No.	510769	Ref. No.	0835.25303.1
description	O-ring EPDM thickness 2.62mm ID ø 25.07mm Qty 1 pcs		




1

GEV No.	510009	Ref. No.	0835.35101.1
description	O-ring EPDM thickness 3.53mm ID ø 101.2mm Qty 1 pcs		


sealing washers

fibre gaskets



1

GEV No.	529349	Ref. No.	45300100
description	flat gasket FIBER ED ø 22mm ID ø 16.5mm thickness 2mm for thread 3/8" Qty 1 pcs		




1

GEV No.	510730	Ref. No.	0840.25122.0
description	flat gasket fibre ED ø 25mm ID ø 12mm thickness 2mm Qty 1 pcs		

springs


roller springs



1


GEV No.	511552	Ref. No.	N/A
description	roller spring complete incl. holder W 40mm ID ømm lug length 70mm		

tension springs



1

GEV No.	519394	Ref. No.	260.017.00
description	tension spring ø 19mm L1 230mm		




1

GEV No.	519400	Ref. No.	260.012.00
description	tension spring ø 19mm L1 300mm		

fittings, hose and pipe connectors

hose connectors

producer-specific



1

GEV No.	691661	Ref. No.	412032015 451098000
description	angle piece thread M12x1 for hose ID 12mm		



fastening material

nuts

hexagonal nuts

hexagonal nuts metric (without norm)



1

GEV No.	510792	Ref. No.	441.045.00
description	hexagonal nut thread M12x1 H 4mm WS 17 stainless steel Qty 1 pcs		

hexagonal nuts inch thread



1

GEV No.	506024	Ref. No.	44102000
description	nut thread 3/8" H 6mm SS WS 22 Qty 1 pcs		

C

control thermostats 3

F

fastening material 9

H

heating elements 3

heating elements for convection 3

heating elements for fryers 3

hexagonal nuts 9

hose connectors 8

I

immersion heating elements 3

N

nuts 9

O

O-rings 8

P

pressure switches 4

pumps 4

R

rotary switches 4

S

sealing washers 8

switches and momentary switches 4

T

thermostats 3

W

wash and rinse pumps 4