



**GAS COMPONENTS**



**ELECTRIC COMPONENTS**



**WATER TECHNOLOGY**



**MECHANICAL COMPONENTS**



**TOOLS**

Spare parts suitable for

**NTF**

Find the complete and up-to-date range of products in our GEV Webshop



# Manufacturer catalogue

The most important spare parts and accessories arranged clearly for every manufacturer

- ✓ Complete product range and all appliance data always up to date in the GEV Webshop
- ✓ Alphabetical Index at the end of the catalogue

## GEV Webshop

[www.gev-online.co.uk](http://www.gev-online.co.uk)

[www.gev-online.com](http://www.gev-online.com)



- 🔍 Add to Favourites
- 🔍 Sign In with email address and usual password
- 🔍 Easy-order – place several items in your basket at the same time
- 🔍 Quick Item search – no login needed



## thermostats

### refrigeration thermostats

#### RANCO

##### K22 series

RANCO



1

<b>GEV No.</b>	390524	<b>Ref. No.</b>	23004 23591 N23004 N23591 N24727 NR23591 NR23951
<b>description</b>	thermostat RANCO type K22L1082 probe ømm probe Lmm capillary pipe 2000mm temperature range -22 up to -3°C		

RANCO



1

<b>GEV No.</b>	390589	<b>Ref. No.</b>	23597 NR23597
<b>description</b>	thermostat RANCO type K22L1083 probe ø 2mm probe Lmm capillary pipe 2300mm		

##### K50 series

RANCO



1

<b>GEV No.</b>	390288	<b>Ref. No.</b>	N23034 NR23034
<b>description</b>	thermostat RANCO type K50L3163 probe ømm probe Lmm capillary pipe 2100mm temperature range -24 up to -14°C		

RANCO



1

<b>GEV No.</b>	390588	<b>Ref. No.</b>	23421 N23421 NR23421
<b>description</b>	thermostat RANCO type K50L3274 probe ø 2mm probe Lmm capillary pipe 3000mm		

RANCO



1

<b>GEV No.</b>	390286	<b>Ref. No.</b>	23005 NR23005
<b>description</b>	thermostat RANCO type K50L3383 probe ømm probe Lmm capillary pipe 1500mm temperature range +1 up to +3°C		

## switches and momentary switches


### rocker/momentary rocker switches

#### 30x22mm

##### labelled



1

<b>GEV No.</b>	300125	<b>Ref. No.</b>	23327 N23327	
<b>description</b>	rocker switch mounting measurements 30x22mm green 2NO 230V 16A 0-1 connection male faston 6.3mm ambient temperature max. 125/55°C protection IP65 with cover cap			
<b>accessories for</b>	300125			
	<b>GEV No.</b>	301036	<b>Ref. No.</b>	—
	protective cover internal size 30x22mm for rocker switch mounting measurementsmm			



## microswitches

## universal



1

<b>GEV No.</b>	345042	<b>Ref. No.</b>	23196 23372 N23196 N23372
<b>description</b>	microswitch with plunger 250V 16A 1CO connection male faston 6.3mm L 28mm ambient temperature max. 125°C mounting distance 22mm type EF83161.3 actuating force: 75g blue/black		
<b>accessories for</b>	345042		
	<b>GEV No.</b>	345043	<b>Ref. No.</b> —
	lever set 5-piece		

## pin-plunger actuated



1

<b>GEV No.</b>	345042	<b>Ref. No.</b>	23196 23372 N23196 N23372
<b>description</b>	microswitch with plunger 250V 16A 1CO connection male faston 6.3mm L 28mm ambient temperature max. 125°C mounting distance 22mm type EF83161.3 actuating force: 75g blue/black		
<b>accessories for</b>	345042		
	<b>GEV No.</b>	345043	<b>Ref. No.</b> —
	lever set 5-piece		

## timers

## programme timers



1

<b>GEV No.</b>	360525	<b>Ref. No.</b>	N23247
<b>description</b>	timer CDC 11904 engines 1 chambers 4 operation time 10min 230V shaft ømm shaft Lmm manuf. no. 11904F1 / BCR000.0000 motor type M48R ATS		
<b>spare parts for</b>	360525		
	<b>GEV No.</b>	360118	<b>Ref. No.</b> —
	motor CDC pinion ø 4.9mm teeth 10 230V voltage AC 50/60Hz turn direction right motor ø 47mm H 19.3mm motor type M48R ATS for timer cable length 260mm 1.9/2.5W		



1

<b>GEV No.</b>	360524	<b>Ref. No.</b>	23222 N23222
<b>description</b>	timer CDC 11904 engines 1 chambers 4 operation time 12min 230V shaft ømm shaft Lmm manuf. no. 11904F1 / BDR000.0000 motor type M48R ATS		
<b>spare parts for</b>	360524		
	<b>GEV No.</b>	360118	<b>Ref. No.</b> —
	motor CDC pinion ø 4.9mm teeth 10 230V voltage AC 50/60Hz turn direction right motor ø 47mm H 19.3mm motor type M48R ATS for timer cable length 260mm 1.9/2.5W		



1

<b>GEV No.</b>	360566	<b>Ref. No.</b>	23259 N23259
<b>description</b>	timer CDC 11904 engines 1 chambers 4 operation time 15min 115V 60Hz shaft ømm shaft Lmm manuf. no. 11904F1BEI000.0010 motor type M48R ATS voltage AC		




1

<b>GEV No.</b>	360565	<b>Ref. No.</b>	23396 23780 N23396 N23780
<b>description</b>	timer CDC 11904 engines 1 chambers 4 operation time 18min 230V 50/60Hz shaft ømm shaft Lmm manuf. no. 11904F1BFE000.0030 motor type M48R ATS voltage AC		




1

<b>GEV No.</b>	360549	<b>Ref. No.</b>	23635 N23635
<b>description</b>	timer CDC 11904 engines 1 chambers 4 operation time 8min 230V 50/60Hz shaft ømm shaft Lmm manuf. no. 11904F1 / DER000.0010		
<b>spare parts for</b>	360549		
	<b>GEV No.</b>	360118	<b>Ref. No.</b> —
	motor CDC pinion ø 4.9mm teeth 10 230V voltage AC 50/60Hz turn direction right motor ø 47mm H 19.3mm motor type M48R ATS for timer cable length 260mm 1.9/2.5W		





1


<b>GEV No.</b>	360154	<b>Ref. No.</b>	N23248
<b>description</b>	timer FIBER P20 engines 1 chambers 4 operation time 15min 230V shaft ømm shaft Lmm manif. no. P205J04J714 motor type M51B-J0R6400		
<b>spare parts for</b>	360154		
	<b>GEV No.</b>	360673	<b>Ref. No.</b> —
<b>description</b>	motor kit pinion ø 6.8mm teeth 15 230V voltage AC 50/60Hz turn direction clockwise motor ø 48mm H 18.5mm motor type UDS-40NE1RNZ165 cable length 150mm with holder		

## probes

### sensors




1

<b>GEV No.</b>	401611	<b>Ref. No.</b>	23676 N23676 NR23676
<b>description</b>	sensor ø 18mm L 44mm thread M10x1 cable length 1450mm		
<b>accessories for</b>	401611		
	<b>GEV No.</b>	521129	<b>Ref. No.</b> —
<b>description</b>	nut thread M10 H 6mm SS WS 17 Qty 1 pcs DIN/ISO DIN 439		

## contactors

### LOVATO

#### power contactors



1

<b>GEV No.</b>	380964	<b>Ref. No.</b>	23594 N23594
<b>description</b>	power contactor resistive load 20A 230VAC (AC3/400V) 9A/4kW main contacts 4NO auxiliary contacts connection screw connection type 11BG09T4A230		


## solenoid valves

### solenoid valves (water)

#### RPE

#### solenoid valves with reducers

#### single




1

<b>GEV No.</b>	370440	<b>Ref. No.</b>	N10368
<b>description</b>	solenoid valve 1-fold, without membrane (constantly open) angled inlet 3/4" outlet 11.5mm input 10-12l/min RPE plastic flow regulating valve inlet white		

#### TP

#### solenoid valves with reducers




1

<b>GEV No.</b>	370437	<b>Ref. No.</b>	23010 N23010 NC23507
<b>description</b>	solenoid valve double angled 230VAC inlet 3/4" input 10l/min output 1.2/1.2l/min DN10 t.max. 90°C TP plastic flow regulating valve inlet white outlet 11.5mm output A 1.2l/min output B 1.2l/min flow regulating valve outlet A dark brown flow regulating valve outlet B dark brown		

## relays

### supervisory relays



1

<b>GEV No.</b>	401610	<b>Ref. No.</b>	23633 N23633
<b>description</b>	supervisory relay revolutions		



1

<b>GEV No.</b>	370436	<b>Ref. No.</b>	23498 N23498
<b>description</b>	solenoid valve double angled 230VAC inlet 3/4" input/min output 0.6/0.6l/min DN10 t.max. 90°C TP plastic outlet 11.5mm output A 0.6l/min output B 0.6l/min flow regulating valve outlet A orange flow regulating valve outlet B orange		



1

<b>GEV No.</b>	370395	<b>Ref. No.</b>	23116 N23116
<b>description</b>	solenoid valve double angled 230VAC inlet 3/4" input/min output 0.8/0.8l/min DN10 t.max. 90°C TP plastic outlet 11.5mm output A 0.8l/min output B 0.8l/min flow regulating valve outlet A white flow regulating valve outlet B white		



1

<b>GEV No.</b>	370434	<b>Ref. No.</b>	23157 N23157
<b>description</b>	solenoid valve double angled 230VAC inlet 3/4" input/min output 2.5/2.5l/min DN10 t.max. 90°C TP plastic outlet 11.5mm output A 2.5l/min output B 2.5l/min flow regulating valve outlet A yellow flow regulating valve outlet B yellow		



1

<b>GEV No.</b>	370435	<b>Ref. No.</b>	N23542
<b>description</b>	solenoid valve double angled 230VAC inlet 3/4" t.max. 90°C TP plastic outlet 11.5mm output A 0.5l/min output B 0.8l/min flow regulating valve outlet A orange flow regulating valve outlet B white		



1

<b>GEV No.</b>	370438	<b>Ref. No.</b>	23502 N23502 NC23502
<b>description</b>	solenoid valve double angled 230VAC inlet 3/4" t.max. 90°C TP plastic outlet 11.5mm output A 1.2l/min output B 0.8l/min flow regulating valve outlet A dark brown flow regulating valve outlet B white		



1

<b>GEV No.</b>	370445	<b>Ref. No.</b>	23501 N23501
<b>description</b>	solenoid valve double angled 230VAC inlet 3/4" t.max. 90°C TP plastic outlet 11.5mm output A 2.5l/min output B 0.8l/min flow regulating valve outlet A yellow flow regulating valve outlet B white		



1


<b>GEV No.</b>	370449	<b>Ref. No.</b>	23220 N23220 NC23220
<b>description</b>	solenoid valve single angled 230VAC inlet 3/4" outlet 11.5mm input 2.5l/min output/min DN10 t.max. 90°C TP plastic flow regulating valve inlet yellow		





1


<b>GEV No.</b>	370451	<b>Ref. No.</b>	23641 23787 23819 N23641 N23787 N23819
<b>description</b>	solenoid valve single angled 230VAC inlet 3/4" outlet 11.5mm input 3l/min t.max. 90°C TP plastic flow regulating valve inlet red		




			
1			
<b>GEV No.</b>	370450	<b>Ref. No.</b>	23623 N23623
<b>description</b>	solenoid valve single angled 230VAC inlet 3/4" outlet 11.5mm input/ 5l/min t.max. 90°C TP plastic flow regulating valve outlet white flow regulating valve inlet pink		

			
1			
<b>GEV No.</b>	370401	<b>Ref. No.</b>	23108 N23108
<b>description</b>	solenoid valve single angled 230VAC inlet 3/4" outlet 11.5mm output 2.5l/min t.max. 90°C TP plastic flow regulating valve outlet yellow		

			
1			
<b>GEV No.</b>	370426	<b>Ref. No.</b>	23497 N23497
<b>description</b>	solenoid valve single angled 230VAC inlet 3/4" outlet 11.5mm input/ min output 0.6l/min DN10 t.max. 90°C TP plastic flow regulating valve outlet orange		

			
various			
1			
<b>GEV No.</b>	370448	<b>Ref. No.</b>	N23537
<b>description</b>	solenoid valve single angled 230VAC cable length 600mm inlet 1/4"mm		

			
1			
<b>GEV No.</b>	370399	<b>Ref. No.</b>	23115 N23115
<b>description</b>	solenoid valve single angled 230VAC inlet 3/4" outlet 11.5mm input/ min output 0.8l/min DN10 t.max. 90°C TP plastic		


### solenoid valves (refrigeration)

CASTEL

valve bodies

STANDARD series


*suitable for refrigerants R22, R134a, R404A, R407C, R410A, R507*

			
1			
<b>GEV No.</b>	370427	<b>Ref. No.</b>	23001 N23001
<b>description</b>	solenoid valve single angled 230VAC inlet 3/4" outlet 11.5mm input/ min output 1.2l/min DN10 t.max. 90°C TP plastic flow regulating valve outlet dark brown		




			
1			
<b>GEV No.</b>	370151	<b>Ref. No.</b>	20410 N20410
<b>description</b>	solenoid valve body NC type 1028/2 S p max 45bar connection 1/4" soldering connection DN 2.2mm -35 up to +105°C L 125mm refrigeration straight CASTEL		
<b>accessories for</b>	370151		
	<b>GEV No.</b>	371084	<b>Ref. No.</b> —
	solenoid coil CASTEL 230VAC 8VA 50/60Hz connection cable 1000mm type CM2		
	<b>GEV No.</b>	371090	<b>Ref. No.</b> —
	power socket plug type DIN 43650A screw		
	<b>GEV No.</b>	371301	<b>Ref. No.</b> —
	solenoid coil CASTEL 110VAC 8VA 50/60Hz seat ø 11.5mm connection DIN 43650A type HF2		
	<b>GEV No.</b>	371314	<b>Ref. No.</b> —
	solenoid coil CASTEL 240VAC 8VA 50/60Hz seat ø 11.5mm		

Table continues overleaf



<b>accessories for</b>	370151		
	<b>GEV No.</b>	371321	<b>Ref. No.</b> —
	solenoid coil CASTEL 12/24VAC 50/60Hz seat ø 11.5mm connection DIN 43650A type HF2		


## spare parts and accessories


	1		
<b>GEV No.</b>	371041	<b>Ref. No.</b>	23091 N23091
<b>description</b>	solenoid coil CASTEL 240VAC 8VA 50/60Hz seat ø 11.5mm connection DIN 43650A type HM2		
<b>accessories for</b>	371041		
	<b>GEV No.</b>	371090	<b>Ref. No.</b> —
	power socket plug type DIN 43650A screw		
	<b>GEV No.</b>	371092	<b>Ref. No.</b> —
	power socket plug type DIN large cable length 1000mm		

## pressure switches

## for refrigeration

## SAGI NO MIYA

	1		
<b>GEV No.</b>	541480	<b>Ref. No.</b>	23342 N23342
<b>description</b>	pressure control HD reset manual p max 33bar refrigeration type FTB-3UC37 connection male faston 6.3mm switch-off pressure 30bar -20 to +70°C		

	1		
<b>GEV No.</b>	541479	<b>Ref. No.</b>	23175 N23175
<b>description</b>	pressure control HD reset automatic refrigeration type HTB-X114 connection 2.4mm		

## compressors

## EMBRACO / ASPERA

R404a/R507

HMBP monophase

High/Medium evaporation temperature above -20/-15 °C

	1		
<b>GEV No.</b>	605161	<b>Ref. No.</b>	N23505
<b>description</b>	compressor coolant R404a/R507 type NEK6210GK 220-240V 50Hz HMBP fully hermetic 8.5kg 3/8HP cylinder capacity 8.78cm <sup>3</sup> CSIR H 200mmW 566W 674W 815W 988W 1195W 1435W 1707W		

	1		
<b>GEV No.</b>	605190	<b>Ref. No.</b>	N23438
<b>description</b>	compressor coolant R404a/R507 type NJ9232GK 220-240V 50Hz HMBP 22.1kg 1 1/4HP cylinder capacity 26.2cm <sup>3</sup> CSR H 277mmWW 1093W 1470W 1911W 2413W 2973W 3588W 4255W ambient temperature max. 45°C		



fans

refrigeration fans

refrigeration motors universal

ELCO

BT series - capacitor motors



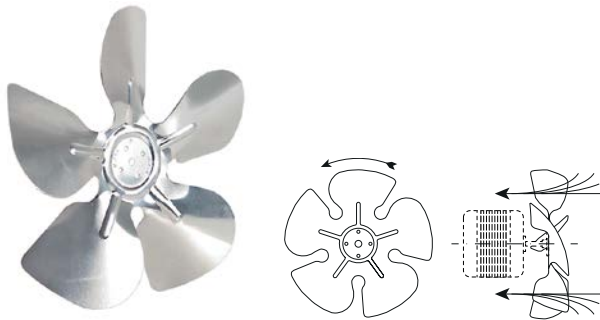
1			
<b>GEV No.</b>	601420 <sup>1</sup>	<b>Ref. No.</b>	23121 N23121
<b>description</b>	fan motor 45W 230V 50Hz L1 53mm L2 18mm L3 120mm W 103mm cable length 500mm 1300rpm ELCO 3FBT 50-40/15 3 mounting options bearing slide bearing		

<sup>1</sup>incl. capacitor

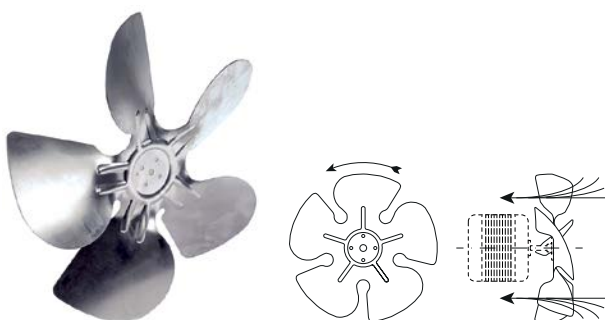
accessories

fan wheels

aluminium

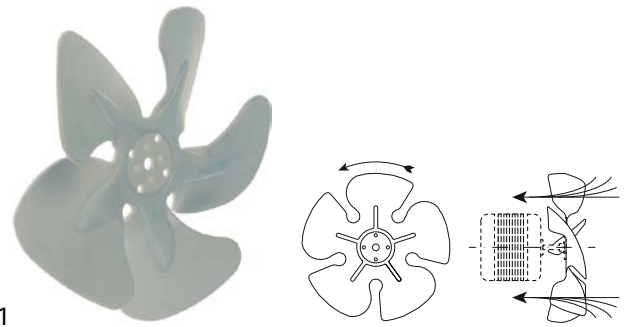


1			
<b>GEV No.</b>	601284	<b>Ref. No.</b>	20031 N20031
<b>description</b>	fan wheel sucking ø 254mm fan wheel mounting 25.4mm blade angle 28° W 42mm aluminium		



1			
<b>GEV No.</b>	601410	<b>Ref. No.</b>	20407 N20407
<b>description</b>	fan wheel sucking ø 300mm fan wheel mounting 25.4mm blade angle 28° W 45mm aluminium		

plastic



1			
<b>GEV No.</b>	601412	<b>Ref. No.</b>	N10213
<b>description</b>	fan wheel sucking ø 154mm fan wheel mounting 25.4mm blade angle 28° W 34mm plastic		

cooling motors (various)

refrigeration motors with foot



1			
<b>GEV No.</b>	601418	<b>Ref. No.</b>	N23029
<b>description</b>	fan motor 10W 230V 50Hz L1 48mm L2 70mm L3 85mm W 83mm feet depth 72mm cable length 500mm connection with plug		

motors

gear motors

for ice-cube maker

miscellaneous



1			
<b>GEV No.</b>	500675	<b>Ref. No.</b>	N23532
<b>description</b>	gear motor 220/240V 50Hz for flake ice maker		





# pumps



## pumps for ice machines

electric components




<b>GEV No.</b>	500590	<b>Ref. No.</b>	N23377 NC23377
<b>description</b>	pump FIR type 4240.2300 120W 230V 50/60Hz inlet ø 22mm outlet ø 22mm L 240mm rotation direction right for ice-cube maker capacitor 5µF		
<b>spare parts for</b>	500590		
	<b>GEV No.</b>	601412	<b>Ref. No.</b> N10213
	fan wheel sucking ø 154mm fan wheel mounting 25.4mm blade angle 28° W 34mm plastic		
	<b>GEV No.</b>	601413	<b>Ref. No.</b> —
	fixing plate suitable for fanwheel ED ø 32mm shaft ø 7 mounting distance 26mm		






<b>GEV No.</b>	500591	<b>Ref. No.</b>	NC23691
<b>description</b>	pump FIR type 4240.2301 120W 230V 50/60Hz inlet ø 22mm outlet ø 22mm L 260mm rotation direction right capacitor 5µF		
<b>spare parts for</b>	500591		
	<b>GEV No.</b>	601412	<b>Ref. No.</b> N10213
	fan wheel sucking ø 154mm fan wheel mounting 25.4mm blade angle 28° W 34mm plastic		
	<b>GEV No.</b>	601413	<b>Ref. No.</b> —
	fixing plate suitable for fanwheel ED ø 32mm shaft ø 7 mounting distance 26mm		






<b>GEV No.</b>	499233	<b>Ref. No.</b>	C23858
<b>description</b>	pump REBO 45W 220/240V 50Hz inlet ø 19mm outlet ø 17mm L 110mm rotation direction left for ice-cube maker		
<b>spare parts for</b>	499233		
	<b>GEV No.</b>	530639	<b>Ref. No.</b> —
	impeller suitable for REBO ø 42mm ID ø 6x7mm H 17mm		








<b>GEV No.</b>	500165	<b>Ref. No.</b>	23002 NC23002
<b>description</b>	pump REBO type 63/35 120W 230V 50/60Hz inlet ø 28mm outlet ø 26mm L 180mm rotation direction right for ice-cube maker capacitor 5µF		
<b>spare parts for</b>	500165		
	<b>GEV No.</b>	365017	<b>Ref. No.</b> —
	operating capacitor capacity 5µF 450V tolerance 5% 50/60Hz ambient temperature max. -25 to +85°C ø 28mm L 54mm M8 plastic connection male faston 6.3mm 16.10.08 protection		
	<b>GEV No.</b>	601412	<b>Ref. No.</b> N10213
	fan wheel sucking ø 154mm fan wheel mounting 25.4mm blade angle 28° W 34mm plastic		
	<b>GEV No.</b>	601413	<b>Ref. No.</b> —
	fixing plate suitable for fanwheel ED ø 32mm shaft ø 7 mounting distance 26mm		






<b>GEV No.</b>	500166	<b>Ref. No.</b>	N23068 NC23068
<b>description</b>	pump REBO type 63/45 150W 230V 50/60Hz inlet ø 28mm outlet ø 26mm L 200mm rotation direction right capacitor 5µF		
<b>spare parts for</b>	500166		
	<b>GEV No.</b>	365017	<b>Ref. No.</b> —
	operating capacitor capacity 5µF 450V tolerance 5% 50/60Hz ambient temperature max. -25 to +85°C ø 28mm L 54mm M8 plastic connection male faston 6.3mm 16.10.08 protection		
	<b>GEV No.</b>	601412	<b>Ref. No.</b> N10213
	fan wheel sucking ø 154mm fan wheel mounting 25.4mm blade angle 28° W 34mm plastic		
	<b>GEV No.</b>	601413	<b>Ref. No.</b> —
	fixing plate suitable for fanwheel ED ø 32mm shaft ø 7 mounting distance 26mm		





			
1			
<b>GEV No.</b>	499232	<b>Ref. No.</b>	NC26557
<b>description</b>	pump REBO type NR40 55W 220/240V 50Hz inlet ø 19mm outlet ø 18mm L 110mm rotation direction left for ice-cube maker with filter		
<b>spare parts for</b>	499232		
	<b>GEV No.</b>	500970	<b>Ref. No.</b> 23073 N23073
	pump motor 55W 230V 50Hz REBO L 205mm type outlet ømm suitable for for ice maker		
	<b>GEV No.</b>	695531	<b>Ref. No.</b> 10139 N10139
	supply filter thread 1" total length 100mm plastic with metal filter ø 18mm		
	<b>GEV No.</b>	695539	<b>Ref. No.</b> 10188 N10188
	intake valve with float		


			
1			
<b>GEV No.</b>	500164	<b>Ref. No.</b>	NC23254
<b>description</b>	pump REBO type NR40 55W 220/240V 50Hz outlet ø 17mm L 113mm rotation direction left for ice-cube maker outlet upper		


			
1			
<b>GEV No.</b>	500161	<b>Ref. No.</b>	NC23056 NC23076
<b>description</b>	pump REBO type NR40 55W 230V 50Hz outlet ø 17mm L 110mm rotation direction left for ice-cube maker		
<b>spare parts for</b>	500161		
	<b>GEV No.</b>	500970	<b>Ref. No.</b> 23073 N23073
	pump motor 55W 230V 50Hz REBO L 205mm type outlet ømm suitable for for ice maker		

			
1			
<b>GEV No.</b>	500592	<b>Ref. No.</b>	NC23566
<b>description</b>	pump REBO type NR40 55W 230V 50Hz outlet ø 17mm L 110mm rotation direction left for ice-cube maker		

			
1			
<b>GEV No.</b>	500593	<b>Ref. No.</b>	NC23624
<b>description</b>	pump REBO type NR40 55W 230V 50Hz outlet ø 17mm L 110mm rotation direction left for ice-cube maker		

			
1			
<b>GEV No.</b>	500596	<b>Ref. No.</b>	NC23626
<b>description</b>	pump REBO type NR50 60W 230V 50Hz outlet ø 17mm L 110mm rotation direction left for ice-cube maker		

			
1			
<b>GEV No.</b>	501408	<b>Ref. No.</b>	N23818
<b>description</b>	pump REBO type PV35 110W 220/240V 50Hz inlet ø 20mm outlet ø 26mm L 205mm for ice-cube maker capacitor 2µF with temperature protection		

			
1			
<b>GEV No.</b>	500970	<b>Ref. No.</b>	23073 N23073
<b>description</b>	pump motor 55W 230V 50Hz REBO L 205mm type outlet ømm suitable for for ice maker		

## condensators & interference suppression filters

### filters

#### RC circuits



1			
<b>GEV No.</b>	365211	<b>Ref. No.</b>	N23457
<b>description</b>	interference suppression filter type XRY RC MKPX2 275V connection plug		

## equipment-specific units

### for ice-cube maker

#### drain systems

##### drain fittings



1			
<b>GEV No.</b>	695620	<b>Ref. No.</b>	N10472
<b>description</b>	drain fitting straight connection 24mm for ice maker		

##### overflow pipes



1			
<b>GEV No.</b>	695622	<b>Ref. No.</b>	N10305
<b>description</b>	lid for overflow pipe tube ø 34mm		

<b>accessories for</b>	695622		
	<b>GEV No.</b>	<b>Ref. No.</b>	10133 N10133
	695086		
	overflow pipe tube ø 20.5mm pipe length 88.6mm		



1			
<b>GEV No.</b>	695083	<b>Ref. No.</b>	13028 N13028
<b>description</b>	overflow pipe ID ø 22mm D1 ø 27mm D2 ø 19mm L 144mm		



1			
<b>GEV No.</b>	695086	<b>Ref. No.</b>	10133 N10133 N10133+N20233
<b>description</b>	overflow pipe tube ø 20.5mm pipe length 88.6mm		

<b>accessories for</b>	695086		
	<b>GEV No.</b>	<b>Ref. No.</b>	—
	532517		
	O-ring silicone thickness 1.78mm ID ø 17.17mm Qty 1 pcs		

<b>accessories for</b>	695086		
	<b>GEV No.</b>	<b>Ref. No.</b>	10007 N10007 N10007/A
	hose connector for ice-cube maker		
	<b>GEV No.</b>	<b>Ref. No.</b>	N13006
	gasket silicone ED ø 40mm ID ø 30mm thickness 2mm Qty 1 pcs		
	<b>GEV No.</b>	<b>Ref. No.</b>	N10305
	lid for overflow pipe tube ø 34mm		

#### reducing rings



1			
<b>GEV No.</b>	699157	<b>Ref. No.</b>	N20785
<b>description</b>	reduction ring ED ø 54mm int. ø 1 42mm int. ø 2 34mm H 30mm		

#### spray systems

N.T.F.

##### spray arms



1			
<b>GEV No.</b>	695486	<b>Ref. No.</b>	C20029 NC20029
<b>description</b>	spray arm L 440mm nozzles 9 for ice-cube type A		

<b>accessories for</b>	695486		
	<b>GEV No.</b>	<b>Ref. No.</b>	D20002 ND20002
	695069		
	spray nozzle for ice maker		



1			
<b>GEV No.</b>	695489	<b>Ref. No.</b>	C20058 NC20058
<b>description</b>	spray arm L 670mm nozzles 15 for ice-cube type A		

##### accessories



1			
<b>GEV No.</b>	695069	<b>Ref. No.</b>	D20002 ND20002
<b>description</b>	spray nozzle for ice maker		



doors

doors



1

<b>GEV No.</b>	695514	<b>Ref. No.</b>	NC10297
<b>description</b>	door for ice-cube maker W 447mm H 217mm thickness 22mm		

curtains

with holder



1

<b>GEV No.</b>	695506	<b>Ref. No.</b>	NC22034
<b>description</b>	curtain for ice maker W 328mm H 150mm with holder shaft length 325mm shaft ø 7.5mm		



1

<b>GEV No.</b>	695507	<b>Ref. No.</b>	NC22035
<b>description</b>	curtain for ice maker W 433mm H 165mm with holder shaft length 438mm shaft ø 7.5mm		



1

<b>GEV No.</b>	695508	<b>Ref. No.</b>	NC22059
<b>description</b>	curtain for ice maker W 660mm H 165mm with holder shaft length 665mm shaft ø 7.5mm		



1

<b>GEV No.</b>	696594	<b>Ref. No.</b>	NC22106
<b>description</b>	curtain for ice-cube maker W 273mm H 160mm shaft length 280mm shaft ø 7.6mm holder length 316mm		

without holder



1

<b>GEV No.</b>	695619	<b>Ref. No.</b>	NC10532
<b>description</b>	curtain for ice maker W 275mm H 80mm shaft length 280mm shaft ø 7.5mm		



1

<b>GEV No.</b>	695117	<b>Ref. No.</b>	NC10534
<b>description</b>	curtain for ice-cube maker W 430mm H 80mm shaft length 440mm shaft ø 7.5mm complete with rod		

accessories

lamellas



1

<b>GEV No.</b>	695082	<b>Ref. No.</b>	10005 N10005
<b>description</b>	lamella for curtain L 69mm W 23mm ID ø 8mm		

pan mechanics

sumps



1

<b>GEV No.</b>	696739	<b>Ref. No.</b>	NC10491 NRC10491
<b>description</b>	sump for ice maker L 310mm W 205mm H 85mm		

spare parts and accessories



1

<b>GEV No.</b>	695013	<b>Ref. No.</b>	20389 N20389
<b>description</b>	paddle with spindle		

1



<b>GEV No.</b>	695012	<b>Ref. No.</b>	20221 N20221
<b>description</b>	paddle with spindle $\varnothing$ 95mm shaft $\varnothing$ 6mm shaft length 350mm		

## suction system

## intake filters



1


<b>GEV No.</b>	695532	<b>Ref. No.</b>	20005 N20005
<b>description</b>	round filters $\varnothing$ 28mm H 60mm		

## gaskets

## miscellaneous



1

<b>GEV No.</b>	695537	<b>Ref. No.</b>	N13006
<b>description</b>	gasket silicone ED $\varnothing$ 40mm ID $\varnothing$ 30mm thickness 2mm Qty 1 pcs		
<b>accessories for</b>	695537		
	<b>GEV No.</b>	695059	<b>Ref. No.</b>
			10007 N10007 N10007/A
	hose connector for ice-cube maker		

## flaps



1

<b>GEV No.</b>	696350	<b>Ref. No.</b>	NC26544
<b>description</b>	flap W 79mm H 86mm thickness 26mm		

## mechanics for evaporators

## miscellaneous



1

<b>GEV No.</b>	696550	<b>Ref. No.</b>	NC20633
<b>description</b>	mechanical shaft seal for evaporator ID $\varnothing$ 26mm		

## hoses

## formed hoses

## form L



1


<b>GEV No.</b>	695107	<b>Ref. No.</b>	13005 N13005
<b>description</b>	formed hose L-shape for ice-cube maker ID $\varnothing$ 17mm ED $\varnothing$ 23.5mm L 70mm W 50mm		

## hose connectors

## with thread



1

<b>GEV No.</b>	695059	<b>Ref. No.</b>	10007 N10007 N10007/A
<b>description</b>	hose connector for ice-cube maker		
<b>accessories for</b>	695059		
	<b>GEV No.</b>	695537	<b>Ref. No.</b>
			N13006
	gasket silicone ED $\varnothing$ 40mm ID $\varnothing$ 30mm thickness 2mm Qty 1 pcs		

## without thread



1

<b>GEV No.</b>	695058	<b>Ref. No.</b>	10006 C10006 NC10006
<b>description</b>	hose connector 2-way for ice-cube maker		



1

<b>GEV No.</b>	695527	<b>Ref. No.</b>	NC26452
<b>description</b>	hose connector 3-way for hose for ice-cube maker		


## floats

## float containers





1

<b>GEV No.</b>	695072	<b>Ref. No.</b>	C10201 NC10201
<b>description</b>	float container for ice maker with microswitch plastic		





1


<b>GEV No.</b>	696755	<b>Ref. No.</b>	C10164 NC10164 NC10164GB
<b>description</b>	float container for ice maker with microswitch plastic suitable for GB902		
<b>spare parts for</b>	696755		
	<b>GEV No.</b>	345105	<b>Ref. No.</b> —
	microswitch with plunger 250V 16A 1CO connection male faston 6.3mm L 28mm ambient temperature max. 125°C mounting distance 22mm type SM-51 actuating force: 280g black		



1

<b>GEV No.</b>	402163	<b>Ref. No.</b>	10145 N10145
<b>description</b>	float container L 150mm 250V cable lengthmm ømm mounting ømm 2CO 12A male faston 6.3mm		
<b>spare parts for</b>	402163		
	<b>GEV No.</b>	348044	<b>Ref. No.</b> —
	microswitch with plunger 250V 16A 1CO connection male faston 4.8mm Lmm L1 27.8mm ambient temperature max. 125°C mounting distance 22mm with lever set type MS1-16 actuating force: 45g white		

**miscellaneous**




1

<b>GEV No.</b>	695536	<b>Ref. No.</b>	N10096
<b>description</b>	nut for drain assembly		

**valves**

**intake valves**




1

<b>GEV No.</b>	695539	<b>Ref. No.</b>	10188 N10188
<b>description</b>	intake valve with float		

equipment feet and end caps

equipment feet

with screw mounting




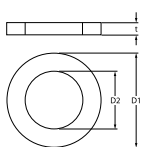
1

<b>GEV No.</b>	700761	<b>Ref. No.</b>	N10406
<b>description</b>	equipment foot tube ø 50mm thread M10 thread L 12mm H 130-180mm SS size 2" Qty 1 pcs		

**gaskets**


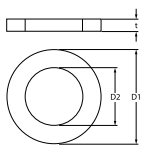
O-rings

**EPDM**

1


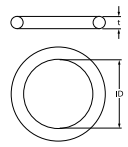
<b>GEV No.</b>	517004	<b>Ref. No.</b>	20429 N20429
<b>description</b>	O-ring EPDM thickness 2.62mm ID ø 34.6mm Qty 1 pcs		

1


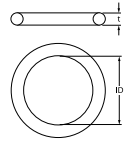
<b>GEV No.</b>	528192	<b>Ref. No.</b>	20655 N20655
<b>description</b>	O-ring EPDM thickness 3mm ID ø 56mm Qty 1 pcs		

**silicone**

1

<b>GEV No.</b>	532255	<b>Ref. No.</b>	20688 N20688
<b>description</b>	O-ring silicone thickness 2.62mm ID ø 21.89mm Qty 10 pcs		

1

<b>GEV No.</b>	527123	<b>Ref. No.</b>	20689 N20689
<b>description</b>	O-ring silicone thickness 3.53mm ID ø 34.52mm Qty 1 pcs		

sealing washers

plastic gaskets




1

<b>GEV No.</b>	695538	<b>Ref. No.</b>	N13007
<b>description</b>	gasket plastic ED ø 40mm ID ø 30mm thickness 2mm Qty 1 pcs		

silicone gaskets



1

<b>GEV No.</b>	695537	<b>Ref. No.</b>	N13006
<b>description</b>	gasket silicone ED ø 40mm ID ø 30mm thickness 2mm Qty 1 pcs		
<b>accessories for</b>	695537		
	<b>GEV No.</b>	695059	<b>Ref. No.</b>
			10007 N10007 N10007/A
hose connector for ice-cube maker			

refrigeration cycle components

valves

Schrader valves

valve bodies



1

<b>GEV No.</b>	750097	<b>Ref. No.</b>	N14007
<b>description</b>	valve body for Schrader valve thread 1/4" SAE connection 6mm soldering connection		

valve inserts



1

<b>GEV No.</b>	750098	<b>Ref. No.</b>	14005 N14005
<b>description</b>	Schrader valve CASTEL 8394/B R22		

evaporators

for ice-cube maker

for ice cube maker



1

<b>GEV No.</b>	750201	<b>Ref. No.</b>	ND10046
<b>description</b>	evaporator for ice-cube maker 36 cubes L 440mm W 190mm H 40mm		



1

<b>GEV No.</b>	750202	<b>Ref. No.</b>	ND10047
<b>description</b>	evaporator for ice-cube maker 60 cubes L 665mm W 190mm H 40mm		

accessories

miscellaneous



1

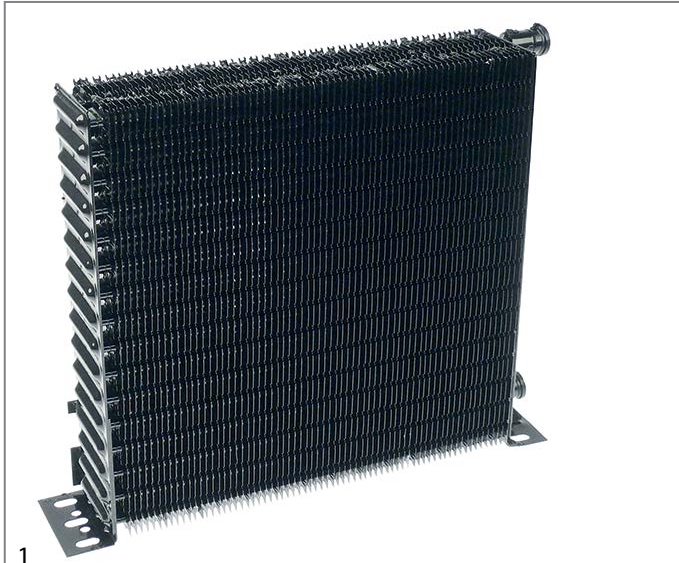
<b>GEV No.</b>	696550	<b>Ref. No.</b>	NC20633
<b>description</b>	mechanical shaft seal for evaporator ID ø 26mm		





## condensors

### condensors



1

<b>GEV No.</b>	750409	<b>Ref. No.</b>	N20175
<b>description</b>	condenser W 260mm D 60mm H 250mm mounting distance 275mm connection ø 8mm		

### condensors water-cooled



1

<b>GEV No.</b>	750392	<b>Ref. No.</b>	N14034
<b>description</b>	condenser tube ø 15mm water-cooled ø 255mm mounting distance 128mm		

## evaporation and condensing trays

### unheated condensing trays



1

<b>GEV No.</b>	750316	<b>Ref. No.</b>	NC10314
<b>description</b>	condensing tray L 160mm W 80mm H 85mm		

## transmission technology and ball bearings

### ball bearings

#### deep-groove ball bearings 2RS



1

<b>GEV No.</b>	523522	<b>Ref. No.</b>	20045 N20045
<b>description</b>	deep-groove ball bearing type 6004-2RS shaft ø 20mm ED ø 42mm W 12mm with sealing discs deep-groove ball bearing DIN 625-1		



1

<b>GEV No.</b>	523511	<b>Ref. No.</b>	20433 N20433
<b>description</b>	deep-groove ball bearing type 6203-2RS shaft ø 17mm ED ø 40mm W 12mm with sealing discs deep-groove ball bearing DIN 625-1		



1

<b>GEV No.</b>	523513	<b>Ref. No.</b>	N20112
<b>description</b>	deep-groove ball bearing type 6205-2RS shaft ø 25mm ED ø 52mm W 15mm with sealing discs deep-groove ball bearing DIN 625-1		



thrust ball bearings



1			
<b>GEV No.</b>	523052	<b>Ref. No.</b>	N20685
<b>description</b>	thrust ball bearing shaft $\varnothing$ 30mm ED $\varnothing$ 62mm W 42mm type 500-4251 DIN 711		



1			
<b>GEV No.</b>	695435	<b>Ref. No.</b>	20232 N20232
<b>description</b>	tension spring $\varnothing$ 9.2mm total length 24mm wire gauge $\varnothing$ 1.6mm		

water cycle components

supply filters



1			
<b>GEV No.</b>	695531	<b>Ref. No.</b>	10139 N10139
<b>description</b>	supply filter thread 1" total length 100mm plastic with metal filter $\varnothing$ 18mm		

springs

tension springs



1			
<b>GEV No.</b>	695544	<b>Ref. No.</b>	20282 N20282
<b>description</b>	tension spring $\varnothing$ 10.5mm total length 42mm wire gauge $\varnothing$ 1.5mm		



1			
<b>GEV No.</b>	695108	<b>Ref. No.</b>	20228 N20228
<b>description</b>	tension spring $\varnothing$ 6.3mm total length 21mm wire gauge $\varnothing$ 0.5mm		

**C**

compressors	8
condensators & interference suppression filters	12
contactors	5

**E**

evaporators	16
-------------	----

**F**

fans	9
filters	12

**M**

microswitches	4
motors	9

**O**

O-rings	15
---------	----

**P**

pressure switches	8
probes	5
programme timers	4
pumps	10
pumps for ice machines	10

**R**

refrigeration cycle components	16
refrigeration fans	9
refrigeration motors universal	9
refrigeration thermostats	3
relays	5
rocker/momentary rocker switches	3

**S**

Schrader valves	16
sealing washers	16
solenoid valves	5
supply filters	18, 18
switches and momentary switches	3

**T**

thermostats	3
timers	4

**W**

water cycle components	18
------------------------	----