



**GAS COMPONENTS**



**ELECTRIC COMPONENTS**



**WATER TECHNOLOGY**



**MECHANICAL COMPONENTS**



**TOOLS**

Spare parts suitable for

**NEUMÄRKER**

Find the complete and up-to-date range of products in our GEV Webshop



# Manufacturer catalogue

The most important spare parts and accessories arranged clearly for every manufacturer

- ✓ Complete product range and all appliance data always up to date in the GEV Webshop
- ✓ Alphabetical Index at the end of the catalogue

## GEV Webshop

[www.gev-online.co.uk](http://www.gev-online.co.uk)

[www.gev-online.com](http://www.gev-online.com)




- 🔍 Add to Favourites
- 🔍 Sign In with email address and usual password
- 🔍 Easy-order – place several items in your basket at the same time
- 🔍 Quick Item search – no login needed




## heating elements

### heating elements for hot counters


|  |  |                 |            |
|--|--|-----------------|------------|
|  <p>1</p> |  |                 |            |
| <b>GEV No.</b>   | 416777   | <b>Ref. No.</b> | 9-00330-02 |
| <b>description</b>   | heating element 500W 230V heating circuits 1 L 245mm W 147mm H 28mm connection distance 140mm tube ø 6.3mm connection 6.3 dry heating element hot bar L1 38mm L2 195mm |                 |            |

### quartz heating elements

|  |                                 |                 |            |
|--|---------------------------------|-----------------|------------|
|  <p>1</p> |                                 |                 |            |
| <b>GEV No.</b>   | 419117                          | <b>Ref. No.</b> | 9-50314-03 |
| <b>description</b>   | quartz heating element 525W 76V |                 |            |


## switches and momentary switches

### push/momentary push switches

|  |   |                 |             |
|--|---|-----------------|-------------|
| <p>30x22mm</p>  <p>1</p> |   |                 |             |
| <b>GEV No.</b>   | 301084  | <b>Ref. No.</b> | 09-51218-09 |
| <b>description</b>   | push switch mounting measurements 30x22mm red 2NO 250V 12A connection male faston 6.3mm ambient temperature max. 85/55°C protection IP54 with protective collar |                 |             |

## lamps


### indicator lights

|   |  |                 |             |
|---|--|-----------------|-------------|
| <p>indicator lights (complete)</p> <p>ø13mm</p> <p>with plug-in socket</p>  <p>1</p> |  |                 |             |
| <b>GEV No.</b>  | 359142   | <b>Ref. No.</b> | 09-51218-03 |
| <b>description</b>  | indicator light ø 13mm green 230V connection male faston 6.3mm temp.-resist. 120°C Qty 1 pcs |                 |             |

## linear lamps

### infrared lamps


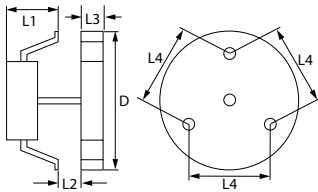


#### with base type R7s

|   |   |                 |            |
|---|---|-----------------|------------|
|  <p>1</p> |   |                 |            |
| <b>GEV No.</b>  | 359693  | <b>Ref. No.</b> | 9-50554-01 |
| <b>description</b>  | infrared lamp socket R7s L 220mm 230V 400W IMPORT |                 |            |

## fans

### hot air fans

#### miscellaneous

|  |  |                 |                   |
|--|--|-----------------|-------------------|
|  <p>1</p>  |  |                 |                   |
| <b>GEV No.</b>   | 601011   | <b>Ref. No.</b> | 9-00890-10        |
| <b>description</b>   | hot air fan 220-240V 40W 50/60Hz L1 65mm L2 15mm L3 25mm L4 87mm fan wheel ø 150mm FIME type C25R8023CLH |                 |                   |
| <b>accessories for</b>   | 601011   |                 |                   |
|   | <b>GEV No.</b>   | 550879          | <b>Ref. No.</b> — |
|  | insulation ø 130mm thickness 3mm hole ø 20mm for hot air fan   |                 |                   |
|   | <b>GEV No.</b>   | 601260          | <b>Ref. No.</b> — |
|  | nut thread M6L IT for hot air fan  |                 |                   |

# gaskets

## gaskets for heated units

### door seals with fixing hook



|                    |   |                 |            |
|--------------------|---|-----------------|------------|
| <b>GEV No.</b>     | 901321  | <b>Ref. No.</b> | 9-00749-00 |
| <b>description</b> | door seal L 650mm W 350mm with 8 mounting clips |                 |            |

**D**

door seals with fixing hook 4

**F**

fans 3

**G**

gaskets for heated units 4

**H**

heating elements 3

hot air fans 3

**I**

indicator lights 3

indicator lights (complete) 3

infrared lamps 3

**L**

lamps 3

linear lamps 3

**P**

push/momentary push switches 3

**Q**

quartz heating elements 3

**S**

switches and momentary switches 3