



GAS COMPONENTS



ELECTRIC COMPONENTS



WATER TECHNOLOGY



MECHANICAL COMPONENTS



TOOLS

Spare parts suitable for

OMAS

Find the complete and up-to-date range of products in our GEV Webshop



Manufacturer catalogue

The most important spare parts and accessories arranged clearly for every manufacturer

- ✓ Complete product range and all appliance data always up to date in the GEV Webshop
- ✓ Alphabetical Index at the end of the catalogue

GEV Webshop

www.gev-online.co.uk

www.gev-online.com



- 🔍 Add to Favourites
- 🔍 Sign In with email address and usual password
- 🔍 Easy-order – place several items in your basket at the same time
- 🔍 Quick Item search – no login needed



switches and momentary switches

rocker/momentary rocker switches

28x22mm



1

GEV No.	348161	Ref. No.	I3635
description	rocker switch mounting measurements 28x22mm orange 2NO 110V 16A illuminated 0-1 connection male faston 6.3mm ambient temperature max. 55°C		



1

GEV No.	348115 ¹	Ref. No.	I3616
description	rocker switch mounting measurements 28x22mm white 2NO 250V 16A illuminated 0-1 connection male faston 6.3mm ambient temperature max. 55°C		


¹illuminated

30x22mm

labelled



1


GEV No.	301006	Ref. No.	I3736
description	rocker switch mounting measurements 30x22mm orange 2NO 250V 16A illuminated connection male faston 6.3mm ambient temperature max. 125/55°C protection IP65 with cover cap		
accessories for	301006		
	GEV No.	301036	Ref. No. —
	protective cover internal size 30x22mm for rocker switch mounting measurementsmm		



push/momentary push switches

30x22mm



1

GEV No.	346052	Ref. No.	I3701
description	push switch mounting measurements 30x22mm black/green 2CO 250V 16A illuminated connection male faston 6.3mm ambient temperature max. 125/55°C protection IP65		
accessories for	346052		
	GEV No.	400797	Ref. No. C8239 S3226 S3319
	PCB for slicer 230V		

	1		
GEV No.	345712	Ref. No.	I3735
description	push switch mounting measurements 30x22mm red/green 2CO 250V 16A Stop / I connection male faston 6.3mm ambient temperature max. 85°C protection IP40 with indicator		
accessories for	345712		
	GEV No.	301127	Ref. No. —
	protective cover internal size 30x55mm transparent		

2 hole fixing



1

GEV No.	348122	Ref. No.	P9501
description	push switch green/red 230V connection cable 1800mm		

miscellaneous



1

GEV No.	347301	Ref. No.	I3704
description	switch combination mounting measurements 51x28mm red/green 1NO/NO 250V 16A momentary connection male faston 6.3mm ambient temperature max. 85°C protection IP40		



1

GEV No.	347299	Ref. No.	I3705
description	switch combination mounting measurements 77x28mm green/white/red 1NO/indicator light/1NO 250V 16A momentary connection male faston 6.3mm ambient temperature max. 125/55°C protection IP40		



microswitches

universal



1

GEV No.	345042	Ref. No.	I3651
description	microswitch with plunger 250V 16A 1CO connection male faston 6.3mm L 28mm ambient temperature max. 125°C mounting distance 22mm type EF83161.3 actuating force: 75g blue/black		
accessories for	345042		
	GEV No.	345043	Ref. No. —
lever set 5-piece			

pin-plunger actuated



1

GEV No.	348150	Ref. No.	I3719
description	microswitch 250V 16A 1NO/1NC connection F6.3 L 42mm L1 31mm mounting distance 22mm		



1

GEV No.	345042	Ref. No.	I3651
description	microswitch with plunger 250V 16A 1CO connection male faston 6.3mm L 28mm ambient temperature max. 125°C mounting distance 22mm type EF83161.3 actuating force: 75g blue/black		
accessories for	345042		
	GEV No.	345043	Ref. No. —
lever set 5-piece			

M10



1

GEV No.	347482	Ref. No.	N/A
description	microswitch with plunger thread M10x0.75 thread L 14mm 250V 16A 1CO connection male faston 6.3mm stroke 3mm mounting distance 22mm ambient temperature max. 125°C type MS-385 actuating force: 250g		
spare parts for	347482		
	GEV No.	100779	Ref. No. —
nut thread M10x0.75 H 3mm WS 14 SS Qty 2 pcs			

rotary switches

BREMAS

A1200 series



1

GEV No.	348155	Ref. No.	I3632
description	rotary switch sets of contacts 6 3 1-0-2 type CA0120670V 400V 12A shaft ø 5x5mm shaft L 18mm shaft square connection screw		

magnetic switches

ø 4mm



1

GEV No.	347049	Ref. No.	I3647
description	magnetic switch 24V 0.5A P max. 12W probe L 20mm 1NO		

M10x0.75



1

GEV No.	348102	Ref. No.	I3730
description	magnetic switch thread M10x0.75 1NO 250V 0.04A P max. 10W connection 2-wire cable length 1500mm		

control equipment

ERSCE



1

GEV No.	345989	Ref. No.	I3703
description	contact block ERSCE C01B 1NC max 230V 10(4)A red		



contactors

ABB

power contactors



1

GEV No.	380100	Ref. No.	R2043
description	power contactor resistive load 20A 230VAC (AC3/400V) 12A/5.5kW main contacts 3NO auxiliary contacts 1NO connection screw connection type B6-30-10 / B7-30-10		



1

GEV No.	380097	Ref. No.	R2044
description	power contactor resistive load 20A 24VAC (AC3/400V) 12A/5.5kW main contacts 3NO auxiliary contacts 1NO connection soldering connection type B6-30-10P / B7-30-10P		



1

GEV No.	380110	Ref. No.	R2042
description	power contactor resistive load 20A 400VAC (AC3/400V) 12A/5.5kW main contacts 3NO auxiliary contacts 1NO connection screw connection type B6-30-10 / B7-30-10		

relays


power relays

with male contacts

bullet connectors, 11 contacts



1

GEV No.	380133	Ref. No.	R2020	
description	power relays 24VAC 10A 3CO connection plug-in connection round 11-pole 250V 11-pole			
accessories for	380133			
	GEV No.	380136	Ref. No.	—
		relay socket 11-pole connection plug-in connection round 11-pole dimensions 65x28x40mm 250V voltage AC 10A Italiana Relè manuf. no. ZVE11		

plug-in/print relays



1

GEV No.	381108	Ref. No.	R2019
description	print relay 24VAC 3CO at 250V 10A connection soldering connection raster size 9mm manuf. no. 60.43.8.024.0000		

probes

Hall sensors



1

GEV No.	402487	Ref. No.	I3646
description	Hall sensor double L 22mm W 10mm cable length 500mm		



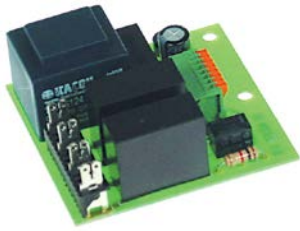
1

GEV No.	402473	Ref. No.	I3686
description	Hall sensor L 24mm W 10mm cable length 760mm		



electronics

PCBs



1

GEV No.	401510	Ref. No.	S3288
----------------	--------	-----------------	-------

description	PCB 230V
--------------------	----------



1

GEV No.	403013	Ref. No.	S3221
----------------	--------	-----------------	-------

description	PCB 230V
--------------------	----------



1

GEV No.	403012	Ref. No.	S3223
----------------	--------	-----------------	-------

description	PCB 400V
--------------------	----------



1

GEV No.	400797	Ref. No.	C8239 S3226 S3319
----------------	--------	-----------------	-------------------------

description	PCB for slicer 230V
--------------------	---------------------

accessories for	400797
------------------------	--------



GEV No.	346052	Ref. No.	I3701
----------------	--------	-----------------	-------

push switch mounting measurements 30x22mm black/green 2CO 250V 16A illuminated connection male faston 6.3mm ambient temperature max. 125/55°C protection IP65



1

GEV No.	403596	Ref. No.	S3285
----------------	--------	-----------------	-------

description	PCB for slicer 50Hz 230V
--------------------	--------------------------

spare parts for	403596
------------------------	--------



GEV No.	348122	Ref. No.	P9501
----------------	--------	-----------------	-------

push switch green/red 230V connection cable 1800mm



1

GEV No.	403010	Ref. No.	S3228
----------------	--------	-----------------	-------

description	PCB for slicer L 125mm W 90mm 400V 50Hz voltage AC
--------------------	--



1

GEV No.	403609	Ref. No.	S3322
----------------	--------	-----------------	-------

description	PCB for slicer OG30E L 102mm W 36mm suitable for OMAS
--------------------	---



1

GEV No.	403570	Ref. No.	S3321
----------------	--------	-----------------	-------

description	PCB for slicer OG30E suitable for OMAS
--------------------	--



1

GEV No.	401511	Ref. No.	S3290
----------------	--------	-----------------	-------


description	PCB slicer 230V
--------------------	-----------------



1

GEV No.	401514	Ref. No.	S3291
----------------	--------	-----------------	-------

description	PCB slicer 24V
--------------------	----------------





1

GEV No.	403011	Ref. No.	S3227
description	PCB slicer A31E 230V		

keypads


membrane keypads



1


GEV No.	347316	Ref. No.	T1760
description	keypad foil buttons 2 grey/black L 69mm W 34.4mm		

keypad units




1

GEV No.	403050	Ref. No.	I1682
description	keypad unit buttons 2 cable length 200mm edition from 1998 on L 70mm W 40mm		



1

GEV No.	401513	Ref. No.	I1680
description	keypad unit buttons 2 cable length 400mm edition from 1998 on L 75mm W 40mm		
spare parts for	401513		
	GEV No.	Ref. No.	
	347316	T1760	
description	keypad foil buttons 2 grey/black L 69mm W 34.4mm		



1

GEV No.	401512	Ref. No.	I1675
description	keypad unit buttons 2 edition until 1998 L 75mm W 40mm		



1


GEV No.	403000	Ref. No.	I1683
description	keypad unit buttons 4 L 130mm W 70mm		

compressors

accessories


starting relays

klixons



1

GEV No.	381373	Ref. No.	R2001
description	start relay 4CR-1-650 230V connection male faston 6.3mm		




1

GEV No.	381397	Ref. No.	R2003
description	start relay 4CR-1-744 230V connection F6.3		

motors


motors

for slicers



1


GEV No.	501376	Ref. No.	M8240
description	motor 230V 1 phase 50Hz shaft ø 19.5mm shaft length 56mm ø 145mm hole ø 8mm hole distance 115mm L 222mm		

1


GEV No.	501375	Ref. No.	M8468
description	motor 230V 50Hz shaft ø 20mm shaft length 52mm ø 136mm hole ø 8mm hole distance 115mm type S8437 L 215mm		

group 4




1

GEV No.	499325	Ref. No.	M8375
description	motor 230V 50Hz OG30E		




1

GEV No.	499081	Ref. No.	M8342
description	motor 230V 50Hz shaft ø 15mm shaft length 34mm L 130mm		



1

GEV No.	499064	Ref. No.	M8349
description	motor 230V 50Hz shaft ø 15mm shaft length 34mm L 95mm		




1

GEV No.	499080	Ref. No.	M8409
description	motor 230V 50Hz shaft ø 15mm shaft length 34mm OMAS L 118mm		


fuses

overload switches




1

GEV No.	348149	Ref. No.	I3790
description	overload switch 1-pole drop-away current 4A rated 240V nominal 0.05-16A connection F6.3		



1

GEV No.	358182	Ref. No.	I3792
description	overload switch 1-pole drop-away current 6A rated AC 240V/DC 48V connection male faston 6.3mm		




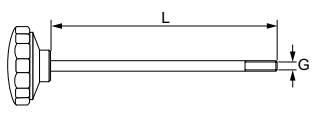
1

GEV No.	358183	Ref. No.	I3694
description	overload switch 1-pole drop-away current 7A rated AC 240V/DC 48V connection male faston 6.3mm		


equipment-specific units


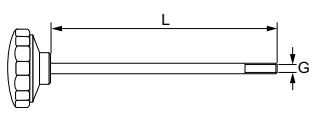
for slicers

locking screws

1


GEV No.	697371	Ref. No.	T5002	
description	locking screw thread M8 L 200mm			
spare parts for	697371			
	GEV No.	697766	Ref. No.	I1926
	handle L 50mm W 17mm ø 35mm thread M8			


1


GEV No.	697800	Ref. No.	N/A
description	locking screw thread M8 L 80mm handle ø 50mm suitable for OMAS A310		





handles			
			
1			
GEV No.	697766	Ref. No.	I1926
description	handle L 50mm W 17mm ø 35mm thread M8		


adjustment knobs			
			
1			
GEV No.	697767	Ref. No.	I1976
description	adjusting knob 0-15 ø 50mm shaft ø 12mm shaft L 30mm handle ø 43mm		


			
1			
GEV No.	697368	Ref. No.	I1990A
description	adjusting knob 0-15 ø 70mm shaft ø 18mm shaft L 48mm handle ø 64mm		


guiding pieces			
for sliding plates			
			
1			
GEV No.	696697	Ref. No.	S3808 S3891
description	guide L 85mm W 40mm H 25mm hole ø 16mm		


bushes			
			
1			
GEV No.	696686	Ref. No.	B6275
description	bush ED ø 20mm ID ø 18mm H 20mm SS		

hand guard			
			
1			
GEV No.	697805	Ref. No.	C6537
description	hand protection for carriage C300 CE H 170mm W 250mm thickness 8mm hole ø 7mm mounting distance 135mm plexiglas suitable for OMAS		

			
1			
GEV No.	698776	Ref. No.	C7127
description	hand protection slicer OG30E H 195mm W 190mm thickness 3.5mm hole ø 6.5mm mounting distance 125mm plexiglas		

			
1			
GEV No.	698656	Ref. No.	A3050A
description	blade pulley D1 ø 20mm shaft ø 10/7 L 67mm shaft length 35mm mounting thread M16x2		

blades			
INOX			
			
1			
GEV No.	697562	Ref. No.	L060602
description	slicing machine blade ED ø 300mm seat ø 57mm 4 hole ID ø 254mm H 22.5mm stainless steel		

			
1			
GEV No.	697373	Ref. No.	L062302
description	slicing machine blade ED ø 350mm seat ø 57mm 4 hole ID ø 280mm H 22.5mm stainless steel		



1

GEV No.	697564	Ref. No.	L061002
description	slicing machine blade ED ø 370mm seat ø 57mm 4 hole ID ø 300mm H 22.5mm stainless steel		

PTFE



1

GEV No.	697304	Ref. No.	L060205
description	slicing machine blade ED ø 250mm seat ø 40mm 3-hole ID ø 210mm H 17.5mm PTFE 100Cr6		



1

GEV No.	698210	Ref. No.	L060605
description	slicing machine blade ED ø 300mm seat ø 57mm 4 hole ID ø 254mm H 22.5mm PTFE 100Cr6		



1

GEV No.	697550	Ref. No.	L060805
description	slicing machine blade ED ø 330mm seat ø 57mm 4 hole ID ø 270mm H 23mm PTFE 100Cr6		



1

GEV No.	697551	Ref. No.	L062305
description	slicing machine blade ED ø 350mm seat ø 57mm 4 hole ID ø 280mm H 22.5mm PTFE 100Cr6		



1

GEV No.	697552	Ref. No.	L061005
description	slicing machine blade ED ø 370mm seat ø 57mm 4 hole ID ø 300mm H 22.5mm PTFE 100Cr6		

special



1

GEV No.	697845	Ref. No.	N/A
description	slicing machine blade ED ø 330mm seat ø 270mm 4 hole ID ø 57mm Hmm 100Cr6		

standard



1

GEV No.	697546	Ref. No.	L0616
description	slicing machine blade ED ø 195mm seat ø 30mm 3-hole ID ø 155mm H 12.8mm C45 standard		




1

GEV No.	697436	Ref. No.	L0611
description	slicing machine blade ED ø 220mm seat ø 40mm 3-hole ID ø 180mm H 15.5mm C45		




1

GEV No.	697365	Ref. No.	L0602
description	slicing machine blade ED ø 250mm seat ø 40mm 3-hole ID ø 210mm H 17.5mm C45 standard		


1

GEV No.	697542	Ref. No.	L0613
description	slicing machine blade ED ø 275mm seat ø 25.4mm 4 hole ID ø 220mm H 15mm C45 standard		




1

GEV No.	697534	Ref. No.	L0612
description	slicing machine blade ED ø 300mm seat ø 40mm 3-hole ID ø 245mm H 17mm C45 standard		




1

GEV No.	697366	Ref. No.	L0606
description	slicing machine blade ED ø 300mm seat ø 57mm 4 hole H 22.5mm standard		



1

GEV No.	698191	Ref. No.	L0606
description	slicing machine blade ED ø 300mm seat ø 57mm 4 hole ID ø 254mm H 22.5mm C45 standard		



1

GEV No.	697399	Ref. No.	L0623
description	slicing machine blade ED ø 350mm seat ø 57mm 4 hole ID ø 280mm H 22.5mm C45 standard		

sharpener units


knobs



1

GEV No.	697765	Ref. No.	I1953
description	star handle thread M6 ø 30mm L 22mm		

sharpener units




1

GEV No.	697768	Ref. No.	A1064
description	blade sharpener 220		




1

GEV No.	697769	Ref. No.	A1085	
description	blade sharpener 220-250			
spare parts for	697769			
	GEV No.	697423	Ref. No.	M6624
	grindstone ø 40mm thickness 8mm bore ø 6mm grained fine with bevel, with hub			
	GEV No.	697600	Ref. No.	M6615
	grindstone ø 45mm thickness 10mm bore ø 6mm grained coarse without bevel			




1


GEV No.	697361	Ref. No.	A1024
description	blade sharpener 250		





1


GEV No.	697364	Ref. No.	A1059
description	blade sharpener 250		


			
1			
GEV No.	697362	Ref. No.	A1025
description	blade sharpener 300		

			
1			
GEV No.	697363	Ref. No.	A1026
description	blade sharpener 350/370		


			
1			
GEV No.	698655	Ref. No.	A1127
description	blade sharpener OG30E		


			
1			
GEV No.	697860	Ref. No.	A1027 A1028
description	blade sharpener suitable for OMAS		


grindstones			
			
1			
GEV No.	697797	Ref. No.	N/A
description	grindstone ø 43mm thickness 12mm bore ø 6mm grained coarse with bevel, with hub		


			
1			
GEV No.	697577	Ref. No.	N/A
description	grindstone ø 48mm thickness 8mm bore ø 14.3mm grained fine with bevel, without hub		


			
1			
GEV No.	697584	Ref. No.	M6621
description	grindstone ø 51mm thickness 7mm bore ø 14.3mm grained fine with bevel, without hub		

			
1			
GEV No.	697588	Ref. No.	N/A
description	grindstone ø 63mm thickness 10mm bore ø 14.3mm grained fine with bevel, without hub		

grindstones with hub			
			
1			
GEV No.	697424	Ref. No.	M6606
description	grindstone ø 40mm thickness 8mm bore ø 6mm grained coarse with bevel, with hub		

			
1			
GEV No.	697423	Ref. No.	M6624
description	grindstone ø 40mm thickness 8mm bore ø 6mm grained fine with bevel, with hub		

			
1			
GEV No.	697357	Ref. No.	M6601
description	grindstone ø 50mm thickness 8mm bore ø 6mm grained coarse with bevel, with hub		

			
1			
GEV No.	697358	Ref. No.	M6622
description	grindstone ø 50mm thickness 8mm bore ø 6mm grained fine with bevel, with hub		



grindstones with shaft

1



GEV No.	697359	Ref. No.	P3458
description	grindstone ø 51.5mm thickness 7mm grained fine with bolt		

1



GEV No.	697360	Ref. No.	P3381
description	grindstone ø 51mm thickness 15mm grained coarse with bolt		


grindstones cup form

1




GEV No.	697600	Ref. No.	M6615
description	grindstone ø 45mm thickness 10mm bore ø 6mm grained coarse without bevel		

1




GEV No.	697604	Ref. No.	N/A
description	grindstone ø 48mm thickness 15mm bore ø 14.3mm grained coarse without bevel		

1



GEV No.	697603	Ref. No.	N/A
description	grindstone ø 48mm thickness 15mm bore ø 14.3mm grained fine without bevel		

1



GEV No.	697607	Ref. No.	M6602
description	grindstone ø 51mm thickness 15mm bore ø 14.3mm grained coarse without bevel		

1




GEV No.	697610	Ref. No.	N/A
description	grindstone ø 55mm thickness 15mm bore ø 14.3mm grained coarse without bevel		

carriages

handles


1



GEV No.	111401	Ref. No.	I1936
description	locking screw thread M8x1.25		

miscellaneous

1



GEV No.	697370	Ref. No.	S7595
description	bolt thread M8 ø 10mm L 25mm for equipment foot		
accessories for	697370		
GEV No.	697369	Ref. No.	P5008
description	equipment foot ø 47mm H 35mm bore ø 9mm rubber Qty 1 pcs		

for bandsaws

saw blades

width 16mm

1



GEV No.	699033	Ref. No.	L0663
description	saw blade L 1650mm W 16mm thickness 0.5mm tooth spacing 6mm		

1 

GEV No.	699042	Ref. No.	L0669
description	saw blade L 1980mm W 16mm thickness 0.5mm tooth spacing 6mm		

locks

1 

GEV No.	697945	Ref. No.	I2097
description	catch ø 40mm L 107mm handle length 57mm handle material plastic T210-250		

for meat mincers

grinder plates

ENTERPRISE

with 2 notches

with hub

1 

GEV No.	696698	Ref. No.	P4019
description	grinder plate type ENTERPRISE size 22 hole ø 8mm with hub grooves 2 stainless steel ø 83mm		

UNGER

1 

GEV No.	696162	Ref. No.	P4030
description	grinder plate type Unger size 22 hole ømm flat grooves 1 stainless steel ø 81.6mm		

blades


ENTERPRISE

1 

GEV No.	696699	Ref. No.	C5213
description	knife type ENTERPRISE size 22 ø 74mm internal size 13x13mm stainless steel		


UNGER

with fixed blades

1 

GEV No.	696031	Ref. No.	C5211
description	knife type Unger size H-82 (22) ø 73mm stainless steel		

plungers

1 

GEV No.	698657	Ref. No.	P6979
description	plunger ø 50mm L 115mm total length 215mm		


for espresso machines

filter holders

filter holders standard

handles

with bore

1 

GEV No.	698835	Ref. No.	I1927
description	handle ø 26mm aperturemm IT M6 L 70mm black		



for tilting bratt pans

miscellaneous



1			
GEV No.	523510	Ref. No.	C8014 C8055
description	deep-groove ball bearing type 6202-2RS shaft \varnothing 15mm ED \varnothing 35mm W 11mm with sealing discs deep-groove ball bearing DIN 625-1		

handles and hand wheels

star handles



1			
GEV No.	697765	Ref. No.	I1953
description	star handle thread M6 \varnothing 30mm L 22mm		

miscellaneous



1			
GEV No.	697766	Ref. No.	I1926
description	handle L 50mm W 17mm \varnothing 35mm thread M8		

equipment feet and end caps


bolting feet



1			
GEV No.	697764	Ref. No.	P5011
description	equipment foot \varnothing 35mm H 30mm bore \varnothing 6mm Qty 1 pcs		

equipment feet with stem



1			
GEV No.	697369	Ref. No.	P5008
description	equipment foot \varnothing 47mm H 35mm bore \varnothing 9mm rubber Qty 1 pcs		
accessories for	697369		
	GEV No.	Ref. No.	S7595
	bolt thread M8 \varnothing 10mm L 25mm for equipment foot		

transmission technology and ball bearings

ball bearings

deep-groove ball bearings 2RS




1			
GEV No.	523507	Ref. No.	C8067
description	deep-groove ball bearing type 6000-2RS shaft \varnothing 10mm ED \varnothing 26mm W 8mm with sealing discs deep-groove ball bearing DIN 625-1		



1			
GEV No.	523011	Ref. No.	C8019
description	deep-groove ball bearing type 6002-2RS shaft \varnothing 15mm ED \varnothing 32mm W 9mm with sealing discs DIN 625-1		




1			
GEV No.	523522	Ref. No.	C8058
description	deep-groove ball bearing type 6004-2RS shaft \varnothing 20mm ED \varnothing 42mm W 12mm with sealing discs deep-groove ball bearing DIN 625-1		

			
1			
GEV No.	523525	Ref. No.	C8026
description	deep-groove ball bearing type 6005-2RS shaft ϕ 25mm ED ϕ 47mm W 12mm with sealing discs deep-groove ball bearing DIN 625-1		

			
1			
GEV No.	523542	Ref. No.	C8020
description	deep-groove ball bearing type 6008-2RS shaft ϕ 40mm ED ϕ 68mm W 15mm with sealing discs deep-groove ball bearing DIN 625-1		


			
1			
GEV No.	505011	Ref. No.	C8029
description	deep-groove ball bearing type 6200-2RS shaft ϕ 10mm ED ϕ 30mm W 9mm DIN 625-1		

			
1			
GEV No.	523509	Ref. No.	C8021
description	deep-groove ball bearing type 6201-2RS shaft ϕ 12mm ED ϕ 32mm W 10mm with sealing discs deep-groove ball bearing DIN 625-1		

			
1			
GEV No.	523510	Ref. No.	C8014 C8055
description	deep-groove ball bearing type 6202-2RS shaft ϕ 15mm ED ϕ 35mm W 11mm with sealing discs deep-groove ball bearing DIN 625-1		

			
1			
GEV No.	523511	Ref. No.	C8022
description	deep-groove ball bearing type 6203-2RS shaft ϕ 17mm ED ϕ 40mm W 12mm with sealing discs deep-groove ball bearing DIN 625-1		

			
1			
GEV No.	523512	Ref. No.	C8024
description	deep-groove ball bearing type 6204-2RS shaft ϕ 20mm ED ϕ 47mm W 14mm with sealing discs deep-groove ball bearing DIN 625-1		

			
1			
GEV No.	523513	Ref. No.	C8056
description	deep-groove ball bearing type 6205-2RS shaft ϕ 25mm ED ϕ 52mm W 15mm with sealing discs deep-groove ball bearing DIN 625-1		

			
1			
GEV No.	523524	Ref. No.	C8057
description	deep-groove ball bearing type 6206-2RS shaft ϕ 30mm ED ϕ 62mm W 16mm with sealing discs deep-groove ball bearing DIN 625-1		

			
1			
GEV No.	523027	Ref. No.	C8030
description	deep-groove ball bearing type 6207-2RS shaft ϕ 35mm ED ϕ 72mm W 17mm with sealing discs DIN 625-1		




1

GEV No.	523526	Ref. No.	C8059
description	deep-groove ball bearing type 6302-2RS shaft \varnothing 15mm ED \varnothing 42mm W 13mm with sealing discs deep-groove ball bearing DIN 625-1		



1

GEV No.	698613	Ref. No.	C8007
description	deep-groove ball bearing shaft \varnothing 17mm ED \varnothing 40mm W 12mm type 6203-2Z DIN 625-1		




1

GEV No.	523516	Ref. No.	C8060
description	deep-groove ball bearing type 6303-2RS shaft \varnothing 17mm ED \varnothing 47mm W 14mm with sealing discs deep-groove ball bearing DIN 625-1		



1

GEV No.	523032	Ref. No.	C8008
description	deep-groove ball bearing shaft \varnothing 20mm ED \varnothing 42mm W 12mm type 6004-2Z DIN 625-1		



1

GEV No.	523517	Ref. No.	C8061
description	deep-groove ball bearing type 6304-2RS shaft \varnothing 20mm ED \varnothing 52mm W 15mm with sealing discs deep-groove ball bearing DIN 625-1		



1

GEV No.	523539	Ref. No.	C8009
description	deep-groove ball bearing shaft \varnothing 20mm ED \varnothing 47mm W 14mm type 6204-2Z DIN 625-1		



1

GEV No.	523518	Ref. No.	C8088
description	deep-groove ball bearing type 6305-2RS shaft \varnothing 25mm ED \varnothing 62mm W 17mm with sealing discs deep-groove ball bearing DIN 625-1		



1

GEV No.	692033	Ref. No.	C8031
description	deep-groove ball bearing shaft \varnothing 25mm ED \varnothing 47mm W 12mm type 6005-2Z DIN 625-1		

deep-groove ball bearings 2Z



1

GEV No.	523057	Ref. No.	C8006
description	deep-groove ball bearing shaft \varnothing 17mm ED \varnothing 35mm W 10mm type 6003-2Z DIN 625-1		



1

GEV No.	523540	Ref. No.	C8011
description	deep-groove ball bearing shaft \varnothing 25mm ED \varnothing 52mm W 15mm type 6205-2Z DIN 625-1		



1

GEV No.	523058	Ref. No.	C8013
description	deep-groove ball bearing shaft \varnothing 30mm ED \varnothing 55mm W 13mm type 6006-2Z DIN 625-1		



2

GEV No.	523030	Ref. No.	C8025
description	deep-groove ball bearing shaft \varnothing 30mm ED \varnothing 62mm W 16mm type 6206-2Z DIN 625-1		

angular contact ball bearings



1

GEV No.	523531	Ref. No.	C8040
description	angular contact ball bearing shaft \varnothing 17mm ED \varnothing 40mm W 12mm type 7203-BEP DIN 628		

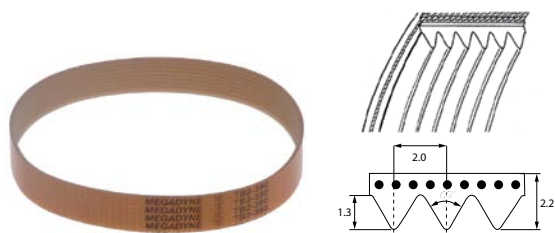


1

GEV No.	523530	Ref. No.	C8041
description	angular contact ball bearing shaft \varnothing 20mm ED \varnothing 47mm W 14mm type 7204-BEP DIN 628		

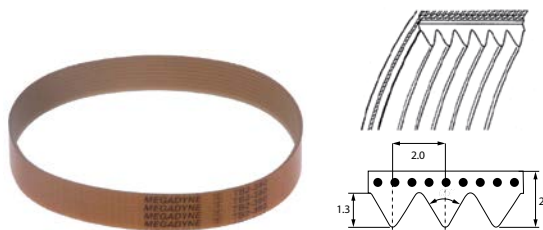
drive belts

poly-v belts



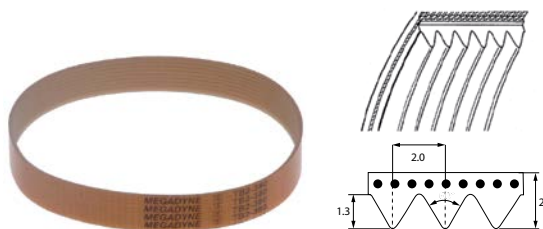
1

GEV No.	697624	Ref. No.	N/A
description	poly-v belt grooves 10 W 20mm L 770mm profile TB2		



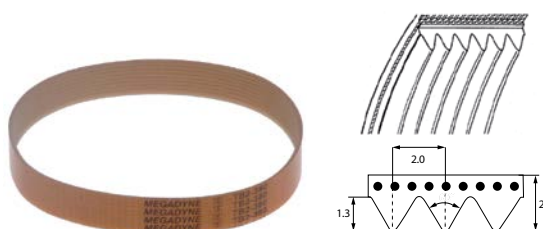
1

GEV No.	697830	Ref. No.	C4813
description	poly-v belt grooves 11 W 21.5mm L 330mm profile TB2		



1

GEV No.	697613	Ref. No.	C4809
description	poly-v belt grooves 8 W 16mm L 295mm profile TB2		



1

GEV No.	697367	Ref. No.	C4818
description	poly-v belt grooves 8 W 16mm L 330mm profile TB2		

C

compressors	7
contactors	5
control equipment	4

F

fuses	8
-------	---

H

Hall sensors	5
--------------	---

M

magnetic switches	4
microswitches	4
motors	7

P

probes	5
push/momentary push switches	3

R

relays	5
rocker/momentary rocker switches	3
rotary switches	4

S

switches and momentary switches	3
---------------------------------	---