



**GAS COMPONENTS**



**ELECTRIC COMPONENTS**



**WATER TECHNOLOGY**



**MECHANICAL COMPONENTS**



**TOOLS**

Spare parts suitable for

**RGV**

Find the complete and up-to-date range of products in our GEV Webshop



# Manufacturer catalogue

The most important spare parts and accessories arranged clearly for every manufacturer

- ✓ Complete product range and all appliance data always up to date in the GEV Webshop
- ✓ Alphabetical Index at the end of the catalogue

## GEV Webshop

[www.gev-online.co.uk](http://www.gev-online.co.uk)

[www.gev-online.com](http://www.gev-online.com)



- 🔍 Add to Favourites
- 🔍 Sign In with email address and usual password
- 🔍 Easy-order – place several items in your basket at the same time
- 🔍 Quick Item search – no login needed



## switches and momentary switches

### push/momentary push switches

30x22mm



1

<b>GEV No.</b>	345712	<b>Ref. No.</b>	00000000296 00000700296
----------------	--------	-----------------	----------------------------

**description** push switch mounting measurements 30x22mm red/green 2CO 250V 16A Stop / I connection male faston 6.3mm ambient temperature max. 85°C protection IP40 with indicator

**For models:** 250SCEV

**accessories for** 345712



<b>GEV No.</b>	301127	<b>Ref. No.</b>	00000000285 285
----------------	--------	-----------------	--------------------

protective cover internal size 30x55mm transparent



1

<b>GEV No.</b>	345510	<b>Ref. No.</b>	00000000108 00000000306
----------------	--------	-----------------	----------------------------

**description** push switch mounting measurements 30x22mm red/green 2NO 250V 16A latching Stop / I connection male faston 6.3mm ambient temperature max. 85°C protection IP40 with indicator

ø22mm



1

<b>GEV No.</b>	301058	<b>Ref. No.</b>	00000000653
----------------	--------	-----------------	-------------

**description** protective cover internal size 30x55mm

**For models:** 300SCEP



1

<b>GEV No.</b>	301127	<b>Ref. No.</b>	00000000285
----------------	--------	-----------------	-------------

**description** protective cover internal size 30x55mm transparent

**For models:** 250SCEV



1

<b>GEV No.</b>	346181	<b>Ref. No.</b>	00000000651
----------------	--------	-----------------	-------------


**description** push button mounting ø 21mm external size 30x55mm oval

**accessories for** 346181



<b>GEV No.</b>	301058	<b>Ref. No.</b>	00000000653 653
----------------	--------	-----------------	--------------------

protective cover internal size 30x55mm

<b>accessories for</b>	346181			
	<b>GEV No.</b>	301127	<b>Ref. No.</b>	00000000285 285
protective cover internal size 30x55mm transparent				

### miscellaneous



1

<b>GEV No.</b>	601657	<b>Ref. No.</b>	401701
----------------	--------	-----------------	--------

**description** conversion kit 230/400V P max. 1150W

### microswitches

#### pin-plunger actuated

#### miscellaneous



1

<b>GEV No.</b>	347560	<b>Ref. No.</b>	00000000304
----------------	--------	-----------------	-------------

**description** microswitch with plunger mounting distance 22mm thread M10 thread L 14mm 250V 12A 1NO connection male faston 6.3mm stroke 3.5mm ambient temperature max. 125°C type VRSR03AA1 actuating force: 135g

## electronics

### PCBs



1

<b>GEV No.</b>	400785	<b>Ref. No.</b>	00000000359
----------------	--------	-----------------	-------------

**description** PCB slicer 300SCEP 230V

**For models:** 300SCEP

**accessories for** 400785



<b>GEV No.</b>	301058	<b>Ref. No.</b>	00000000653 653
----------------	--------	-----------------	--------------------

protective cover internal size 30x55mm



## central units



1

<b>GEV No.</b>	400788	<b>Ref. No.</b>	00000000297
<b>description</b>	control box for slicer 230V		
<b>For models:</b>	250SCEV		



1

<b>GEV No.</b>	403682	<b>Ref. No.</b>	00000001752
<b>description</b>	control box for slicer 230V 50Hz edition since 04/2016		



1

<b>GEV No.</b>	401701	<b>Ref. No.</b>	00000000655 00000009683
<b>description</b>	control box for slicer 400V		



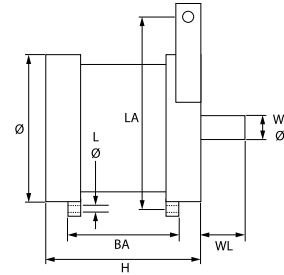
1

<b>GEV No.</b>	401855	<b>Ref. No.</b>	00000009240 00000009240 (296+297)
<b>description</b>	control box with pressure switch double for slicer 230V		

## motors

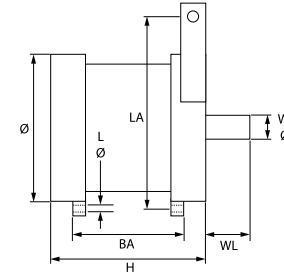
## motors

## for slicers



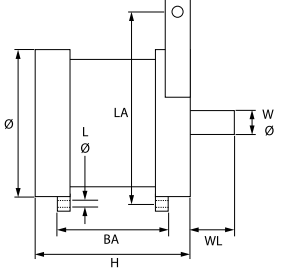
1

<b>GEV No.</b>	500973	<b>Ref. No.</b>	00000000425
<b>description</b>	motor 230V 1 phase 180W 50Hz 1380rpm shaft $\varnothing$ 15mm shaft length 28mm $\varnothing$ 115mm H 112mm mounting distance 75mm hole distance 145mm hole $\varnothing$ 6mm type H60-425 300 ELETTRMECANICA capacitor 10 $\mu$ F		
<b>For models:</b>	300SCEP		



1

<b>GEV No.</b>	501532	<b>Ref. No.</b>	00000001755
<b>description</b>	motor 230V 1 phase 390W 50Hz 1380rpm shaft $\varnothing$ 14.5mm shaft length 35mm $\varnothing$ 113mm H 122mm mounting distance 80mm hole distance 150mm hole $\varnothing$ 6mm type H70 300 edition since 04/2016 capacitor 10 $\mu$ F		



1

<b>GEV No.</b>	501530	<b>Ref. No.</b>	00000001753
<b>description</b>	motor 230V 1 phase 50Hz 1380rpm shaft $\varnothing$ 15mm shaft length 25mm 195-220 edition since 04/2016		



<b>GEV No.</b>	501427	<b>Ref. No.</b>	00000700283
<b>description</b>	motor 230V 1 phase 50Hz 1380rpm shaft ø 15mm shaft length 25mm ø 115mm H 86mm mounting distance 44mm hole distance 145mm hole ø 6mm type H35-700283		

<b>GEV No.</b>	501531	<b>Ref. No.</b>	0000001754
<b>description</b>	motor 230V 1 phase 50Hz 1380rpm shaft ø 15mm shaft length 33mm 250 edition since 04/2016		

<b>GEV No.</b>	500954	<b>Ref. No.</b>	00000001150
<b>description</b>	motor 230V 1 phase 50Hz 1380rpm shaft ø 15mm shaft length 28mm ø 115mm H 112mm mounting distance 75mm hole distance 145mm hole ø 8mm type H60-1150 300 S-G ELETTROMECHANICA L 135mm W 115mm capacitor 10µF		

<b>GEV No.</b>	501434	<b>Ref. No.</b>	00000000423
<b>description</b>	motor 230V 1 phase 50Hz 1380rpm shaft ø 15mm shaft length 33mm ø 113mm H 91mm mounting distance 49mm hole distance 150mm hole ø 6mm type H40-423 ELETTROMECHANICA capacitor 8µF		

<b>GEV No.</b>	500923	<b>Ref. No.</b>	00000000508
<b>description</b>	motor 230V 1 phase 50Hz 1380rpm shaft ø 15mm shaft length 28mm ø 115mm H 87mm mounting distance 49mm hole distance 145mm hole ø 6mm type H35-508 220-250 ELETTROMECHANICA		

<b>GEV No.</b>	501433	<b>Ref. No.</b>	00000000681
<b>description</b>	motor 230V 1 phase 50Hz 1380rpm shaft ø 15mm shaft length 35mm ø 113mm H 121mm mounting distance 79mm hole distance 150mm hole ø 6mm type H70-681 ELETTROMECHANICA capacitor 10µF		

<b>GEV No.</b>	500912	<b>Ref. No.</b>	00000000510
<b>description</b>	motor 230V 1 phase 50Hz 1380rpm shaft ø 15mm shaft length 28mm ø 115mm H 92mm mounting distance 49mm hole distance 145mm hole ø 6mm type H40-510 250 ELETTROMECHANICA		
<b>For models:</b>	250SCEV		

<b>GEV No.</b>	500956	<b>Ref. No.</b>	00000000577
<b>description</b>	motor 230V 1 phase 50Hz 1380rpm shaft ø 17mm shaft length 27mm ø 154mm H 130mm mounting distance 98mm hole distance 170mm hole ø 10mm type 125-40/577 350 ELETTROMECHANICA		





<b>GEV No.</b>	500955	<b>Ref. No.</b>	00000009680
<b>description</b>	motor 230V 1 phase 50Hz 1380rpm type H70 ELETTRMECANICA capacitor 10µF		

## condensators & interference suppression filters

### operating capacitors

#### plastic



<b>GEV No.</b>	365015	<b>Ref. No.</b>	00000000633
<b>description</b>	operating capacitor capacity 10µF 400V tolerance 5%Hz ambient temperature max. -25 to +85°C ø 35.5mm L 59mm M8 plastic connection male faston 6.3mm protection		
<b>For models:</b>	300SCEP		



<b>GEV No.</b>	365014	<b>Ref. No.</b>	00000000582
<b>description</b>	operating capacitor capacity 12.5µF 450V tolerance 5%Hz ambient temperature max. -25 to +85°C ø 35mm L 70mm M8 plastic connection male faston 6.3mm 45S.C3DS.12.5 protection		



<b>GEV No.</b>	365012	<b>Ref. No.</b>	00000000149
<b>description</b>	operating capacitor capacity 6.3µF 450V tolerance 5% 50Hz ambient temperature max. -25 to +85°C ø 30mm L 61mm M8 plastic connection male faston 6.3mm protection		



<b>GEV No.</b>	365013	<b>Ref. No.</b>	00000000182
<b>description</b>	operating capacitor capacity 8µF 400V tolerance 5%Hz ambient temperature max. -25 to +85°C ø 31.5mm L 55mm M8 plastic connection male faston 6.3mm protection		
<b>For models:</b>	250SCEV		

## pumps

### booster pumps II

#### accessories



<b>GEV No.</b>	365015	<b>Ref. No.</b>	00000000633
<b>description</b>	operating capacitor capacity 10µF 400V tolerance 5%Hz ambient temperature max. -25 to +85°C ø 35.5mm L 59mm M8 plastic connection male faston 6.3mm protection		
<b>For models:</b>	300SCEP		




<b>GEV No.</b>	365012	<b>Ref. No.</b>	00000000149
<b>description</b>	operating capacitor capacity 6.3µF 450V tolerance 5% 50Hz ambient temperature max. -25 to +85°C ø 30mm L 61mm M8 plastic connection male faston 6.3mm protection		

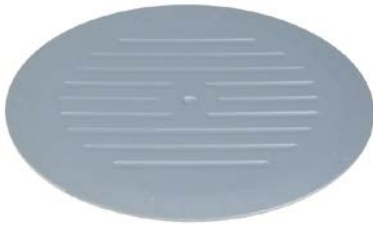


## electric accessories

### cables

#### power supply cables

			
1			
<b>GEV No.</b>	551085	<b>Ref. No.</b>	00000009171
<b>description</b>	cable CEE7/7 type E+F 3-pole contacts P+N+E 1.5mm <sup>2</sup> max. 16A max 230V 2m with plug H05VV-F 3G1.5		
<b>For models:</b>	250SCEV, 300SCEP		


			
1			
<b>GEV No.</b>	697749	<b>Ref. No.</b>	00000000463 00000000490 490+709956
<b>description</b>	blade covering ø 209mm for knife ø 250mm mounting thread M6 fixing dimensions 12x12mm aluminium		
<b>For models:</b>	250SCEV		

## equipment-specific units

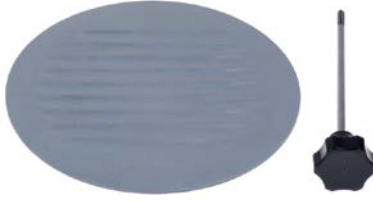
### for slicers

#### covers

			
1			
<b>GEV No.</b>	697472	<b>Ref. No.</b>	00000000489old
<b>description</b>	blade covering ø 180mm for knife ø 220mm mounting thread M6 fixing dimensions 12x12mm aluminium		

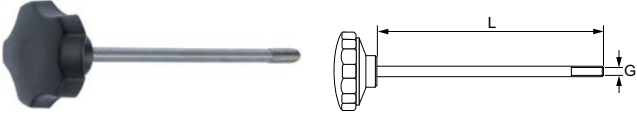
			
1			
<b>GEV No.</b>	696528	<b>Ref. No.</b>	00000000489
<b>description</b>	blade covering ø 180mm for knife ø 220mm mounting thread M6 fixing dimensions 12x12mm cast aluminium edition since year of construction 2010		

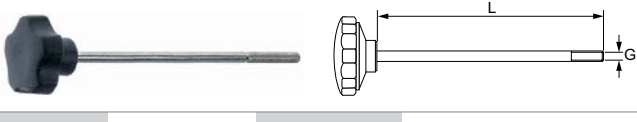
			
1			
<b>GEV No.</b>	697447	<b>Ref. No.</b>	00000000195
<b>description</b>	blade covering ø 209mm for knife ø 250mm aperture 9x9mm aluminium 25GL Dom. /25GS Dom.		

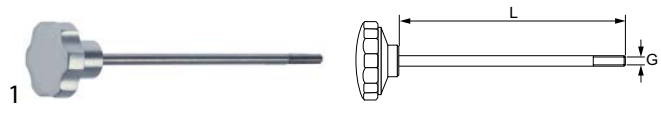
			
1			
<b>GEV No.</b>	697745	<b>Ref. No.</b>	00000000490+00000000777
<b>description</b>	blade covering ø 209mm for knife ø 250mm mounting thread M6 fixing dimensions 12x12mm with locking schrew aluminium		

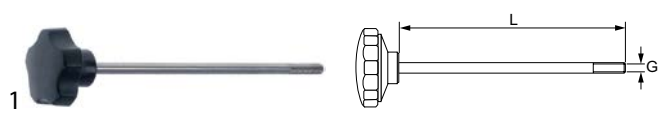
			
1			
<b>GEV No.</b>	697744	<b>Ref. No.</b>	00000000403
<b>description</b>	blade covering ø 248mm for knife ø 300mm mounting thread M6 fixing dimensions 12x12mm aluminium		
<b>For models:</b>	300SCEP		

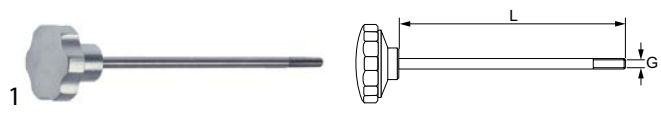
#### locking screws

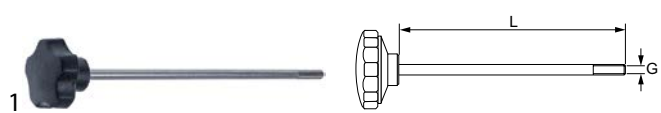
			
1			
<b>GEV No.</b>	698376	<b>Ref. No.</b>	00000001302 00000001302 nera 00000701302
<b>description</b>	locking screw thread M6 L 134mm black		

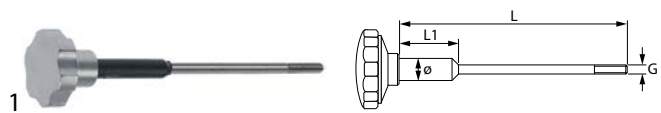
			
1			
<b>GEV No.</b>	697438	<b>Ref. No.</b>	00000000817
<b>description</b>	locking screw thread M6 L 145mm handle ø 40mm		
<b>For models:</b>	250SCEV		

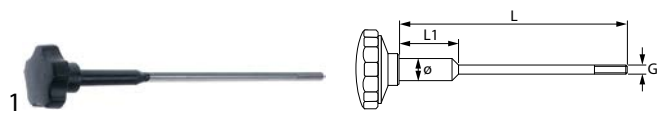
			
<b>GEV No.</b>	696521	<b>Ref. No.</b>	00000009956
<b>description</b>	locking screw thread M6 L 154mm handle $\varnothing$ 39mm for model 22/25/275/300		

			
<b>GEV No.</b>	697439	<b>Ref. No.</b>	00000000777
<b>description</b>	locking screw thread M6 L 155mm handle $\varnothing$ 40mm		
<b>For models:</b>	300SCEP		


			
<b>GEV No.</b>	696602	<b>Ref. No.</b>	00000009958
<b>description</b>	locking screw thread M6 L 188mm handle $\varnothing$ 39mm for model 300/S-G, Dolly Verticale VS300		

			
<b>GEV No.</b>	697379	<b>Ref. No.</b>	00000001024 00000001142
<b>description</b>	locking screw thread M6 L 190mm handle $\varnothing$ 40mm		

			
<b>GEV No.</b>	698629	<b>Ref. No.</b>	00000709956
<b>description</b>	locking screw thread M6 L 155mm $\varnothing$ 10mm L1 55mm handle $\varnothing$ 29mm		


			
<b>GEV No.</b>	697437	<b>Ref. No.</b>	00000000572
<b>description</b>	locking screw thread M6 L 200mm $\varnothing$ 10mm L1 50mm handle $\varnothing$ 40mm		


## handles

			
<b>GEV No.</b>	697935	<b>Ref. No.</b>	00000000378+00000000371 378+371
<b>description</b>	star handle thread M8 $\varnothing$ 50mm L 29mm black with thread bolt		


## adjustment knobs


			
<b>GEV No.</b>	697419	<b>Ref. No.</b>	00000000130 00000700130
<b>description</b>	adjusting knob 0-15 $\varnothing$ 55mm shaft $\varnothing$ 12mm shaft L 28mm handle $\varnothing$ 42mm 250		
<b>For models:</b>	250SCEV		

			
<b>GEV No.</b>	696522	<b>Ref. No.</b>	00000009503
<b>description</b>	adjusting knob 0-22 $\varnothing$ 68mm shaft $\varnothing$ 18mm shaft L 50mm handle $\varnothing$ 68mm turn direction left		

			
<b>GEV No.</b>	698456	<b>Ref. No.</b>	00000000631
<b>description</b>	adjusting knob 0-23 $\varnothing$ 68mm shaft $\varnothing$ 18mm shaft L 67mm handle $\varnothing$ 68mm		
<b>For models:</b>	300SCEP		

## eccentric disc for slice thickness

			
<b>GEV No.</b>	697470	<b>Ref. No.</b>	00000000830
<b>description</b>	eccentrics for cutting thickness hole $\varnothing$ 12mm groove width 6mm ED $\varnothing$ 52mm thickness 21.5mm		

			
<b>GEV No.</b>	697471	<b>Ref. No.</b>	00000000379
<b>description</b>	eccentrics for cutting thickness hole $\varnothing$ 12mm groove width 6mm ED $\varnothing$ 58mm thickness 21mm		
<b>For models:</b>	250SCEV		





spring washers



1

<b>GEV No.</b>	697479	<b>Ref. No.</b>	0000000856
<b>description</b>	spring washer ID ø 14mm ED ø 21mm Qty 1 pcs		



1

<b>GEV No.</b>	697478	<b>Ref. No.</b>	0000000671
<b>description</b>	spring washer ID ø 19mm ED ø 26mm Qty 1 pcs		
<b>For models:</b>	300SCEP		

guiding pieces

for sliding plates



1

<b>GEV No.</b>	697483	<b>Ref. No.</b>	0000000117
<b>description</b>	guide 195		



1

<b>GEV No.</b>	697448	<b>Ref. No.</b>	00000009177
<b>description</b>	guide 220-250		



1

<b>GEV No.</b>	696524	<b>Ref. No.</b>	0000000602 00000009691 9691 696524
<b>description</b>	guide L 117mm W 92mm H 51mm hole ø 18mm shaft intake ø 16mm aluminium		



1

<b>GEV No.</b>	697477	<b>Ref. No.</b>	0000000126
<b>description</b>	connection plate L 75mm W 15mm		

for carriage



1

<b>GEV No.</b>	696510	<b>Ref. No.</b>	00000009466 9466 (GFS 1022 Metro)
<b>description</b>	guide 220		

bushes



1

<b>GEV No.</b>	698626	<b>Ref. No.</b>	00000000119
<b>description</b>	bush ED ø 18mm ID ø 16mm H 15mm		
<b>For models:</b>	300SCEP		



1

<b>GEV No.</b>	698627	<b>Ref. No.</b>	00000000611
<b>description</b>	bush ED ø 8mm ID ø 5mm H 10mm		
<b>For models:</b>	300SCEP		

spindles



1

<b>GEV No.</b>	697782	<b>Ref. No.</b>	00000000501
<b>description</b>	spindle for carriage ø 16mm L 390mm thread M8		
<b>For models:</b>	250SCEV		



1

<b>GEV No.</b>	697449	<b>Ref. No.</b>	00000000944
<b>description</b>	spindle for sliding plate ø 12mm L 160mm Lady		

housings

bottom parts



1

<b>GEV No.</b>	696512	<b>Ref. No.</b>	00000000504
<b>description</b>	bottom plate 220		



1

<b>GEV No.</b>	696345	<b>Ref. No.</b>	00000000516
<b>description</b>	bottom plate L 390mm W 190mm plastic 300		
<b>For models:</b>	250SCEV		



1

<b>GEV No.</b>	698393	<b>Ref. No.</b>	00000000701 701/A
<b>description</b>	bottom plate L 409mm W 174mm plastic		



1

<b>GEV No.</b>	698275	<b>Ref. No.</b>	00000000768 Lusso
<b>description</b>	bottom plate L 448mm W 200mm plastic 300		



1

<b>GEV No.</b>	698276	<b>Ref. No.</b>	00000000768 Dolly 00000000768 metro
<b>description</b>	bottom plate L 448mm W 200mm plastic 300 METRO FRANCE		



1

<b>GEV No.</b>	698389	<b>Ref. No.</b>	00000000768
<b>description</b>	cover L 447mm W 180mm plastic		
<b>For models:</b>	300SCEP		

housings



1

<b>GEV No.</b>	699017	<b>Ref. No.</b>	00000000500 (220)
<b>description</b>	housing L 400mm W 260mm 220		



1

<b>GEV No.</b>	699030	<b>Ref. No.</b>	00000000500 (250)
<b>description</b>	housing L 400mm W 260mm 250		

hand guard



1

<b>GEV No.</b>	697754	<b>Ref. No.</b>	00000000784
<b>description</b>	hand protection for knife ø 300mm H 125mm W 60mm thickness 1.2mm hole ø 6.5mm mounting distance 84mm stainless steel		
<b>For models:</b>	300SCEP		



1

<b>GEV No.</b>	696511	<b>Ref. No.</b>	00000000197 00000000328 00000000329
<b>description</b>	wiper for knife ø 220/250mm stainless steel		
<b>For models:</b>	250SCEV		



1


<b>GEV No.</b>	697474	<b>Ref. No.</b>	00000000326/3
<b>description</b>	hand protection food holder 220 H 165mm W 250mm thickness 4mm hole ø 6.8mm mounting distance 78mm		





1


<b>GEV No.</b>	697473	<b>Ref. No.</b>	00000000326/1
<b>description</b>	hand protection food holder 250 H 165mm W 250mm thickness 4mm hole ø 6.8mm mounting distance 90mm		




 <p>1</p>			
<b>GEV No.</b>	697446	<b>Ref. No.</b>	00000000407
<b>description</b>	hand protection food holder 300 H 300mm W 163mm thickness 5.4mm mounting distance 110mm		
<b>For models:</b>	300SCEP		


 <p>1</p>			
<b>GEV No.</b>	697755	<b>Ref. No.</b>	00000000162
<b>description</b>	hand protection for carriage 300 H 180mm W 152mm thickness 5mm hole ø 10mm mounting distance 110mm plastic		
<b>For models:</b>	300SCEP		


 <p>1</p>			
<b>GEV No.</b>	697826	<b>Ref. No.</b>	00000000924
<b>description</b>	hand protection for slicer		
<b>For models:</b>	250SCEV		





 <p>1</p>			
<b>GEV No.</b>	698964	<b>Ref. No.</b>	00000000482
<b>description</b>	hand protection for slicer 195-220		

<p>accessories</p>			
 <p>1</p>			
<b>GEV No.</b>	697482	<b>Ref. No.</b>	00000000338 00000000446
<b>description</b>	screw thread M5 ø 8mm L 15mm		
<b>For models:</b>	250SCEV, 300SCEP		

 <p>1</p>			
<b>GEV No.</b>	697481	<b>Ref. No.</b>	00000000623
<b>description</b>	Thumb screw thread M6 thread L 8mm ø 14mm H 6mm SS		
<b>For models:</b>	250SCEV, 300SCEP		


 <p>1</p>			
<b>GEV No.</b>	698640	<b>Ref. No.</b>	00000009924 9933
<b>description</b>	blade pulley complete with shaft shaft ø 14 shaft length 95mm mounting thread M5 3 hole fixing		


 <p>1</p>			
<b>GEV No.</b>	697747	<b>Ref. No.</b>	00000009920
<b>description</b>	blade pulley with spindle D1 ø 40mm D2 ø 64.3mm D3 ø 67.5mm shaft ø 14 L 33mm shaft length 152mm mounting thread M5 mounting ø 3-hole		


 <p>1</p>			
<b>GEV No.</b>	697746	<b>Ref. No.</b>	00000009469
<b>description</b>	blade pulley with spindle D1 ø 40mm D2 ø 76mm shaft ø 16 L 40mm shaft length 157mm mounting thread M5 mounting ø 3-hole		
<b>For models:</b>	300SCEP		
<b>spare parts for</b>	697746		
			
<b>GEV No.</b>	514030	<b>Ref. No.</b>	—
retaining ring shaft ø 20mm thickness 1.3mm steel DIN 471			
			
<b>GEV No.</b>	523512	<b>Ref. No.</b>	00000000632 632
deep-groove ball bearing type 6204-2RS shaft ø 20mm ED ø 47mm W 14mm with sealing discs deep-groove ball bearing DIN 625-1			
			
<b>GEV No.</b>	692029	<b>Ref. No.</b>	—
retaining ring bore ø 47mm thickness 1.8mm steel DIN 472			



food holders


handles


 <p>1</p>			
<b>GEV No.</b>	697432	<b>Ref. No.</b>	00000000825
<b>description</b>	cone handle thread M6 ø 26mm plastic L 70mm thread L 6mm		
<b>For models:</b>	250SCEV		

			
1			
<b>GEV No.</b>	111123	<b>Ref. No.</b>	00000000452 700452
<b>description</b>	handle thread M10 IT ø 30mm L 110mm D1 ø 65mm		
<b>For models:</b>	300SCEP		



			
1			
<b>GEV No.</b>	698642	<b>Ref. No.</b>	00000001130
<b>description</b>	handle thread M10 ø 59mm L 100mm aluminium		


			
1			
<b>GEV No.</b>	696515	<b>Ref. No.</b>	00000001242
<b>description</b>	handle thread M10x1.5 ø 34mm L 88mm food holder		
<b>accessories for</b>	696515		
	<b>GEV No.</b>	696517	<b>Ref. No.</b>
			00000800678 800678
	thread bolt for handle ø 12mm L 64mm thread M6/M10 stainless steel		


			
1			
<b>GEV No.</b>	692150	<b>Ref. No.</b>	00000800298+RED
<b>description</b>	handle thread M6 ø 25mm D1 ø 65mm L 122mm plastic red		

			
1			
<b>GEV No.</b>	697429	<b>Ref. No.</b>	00000000298 00000000298+BLACK 00000700298
<b>description</b>	handle thread M6 ø 25mm L 126mm with hand guard D1 ø 70mm		
<b>For models:</b>	250SCEV		


## food holders


			
1			
<b>GEV No.</b>	698644	<b>Ref. No.</b>	00000000608 00000009608
<b>description</b>	food holder 300-350 L 290mm hole ø 12mm handle M10 CE		
<b>For models:</b>	300SCEP		
<b>accessories for</b>	698644		
	<b>GEV No.</b>	110703	<b>Ref. No.</b>
			00000000627 627
	cylindrical handle thread M10 ø 28mm L 87mm		

			
1			
<b>GEV No.</b>	697444	<b>Ref. No.</b>	00000009686
<b>description</b>	food holder 300-350 L 290mm hole ø 12mm with handle		



			
1			
<b>GEV No.</b>	698418	<b>Ref. No.</b>	00000009206 00000009878
<b>description</b>	food holder L 240mm hole ø 12mm handle M6 with handle		


## accessories

			
1			
<b>GEV No.</b>	698630	<b>Ref. No.</b>	00000000827
<b>description</b>	spike food holder ø 3mm L 11.5mm		
<b>For models:</b>	250SCEV, 300SCEP		

			
1			
<b>GEV No.</b>	697480	<b>Ref. No.</b>	00000000151
<b>description</b>	stop bolt food holder ø 7.5mm L 8mm plastic		
<b>For models:</b>	250SCEV, 300SCEP		





			
1			
<b>GEV No.</b>	696517	<b>Ref. No.</b>	00000800678
<b>description</b>	thread bolt for handle ø 12mm L 64mm thread M6/M10 stainless steel		
<b>For models:</b>	250SCEV		
<b>accessories for</b>	696517		
			
	GEV No.	696515	Ref. No. 0000001242 1242
	handle thread M10x1.5 ø 34mm L 88mm food holder		


			
1			
<b>GEV No.</b>	697385	<b>Ref. No.</b>	00000000636
<b>description</b>	slicing machine blade ED ø 300mm seat ø 40mm 3-hole ID ø 250mm H 20mm C45 standard		
<b>For models:</b>	300SCEP		

blades

standard

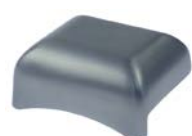
			
1			
<b>GEV No.</b>	697546	<b>Ref. No.</b>	00000000254
<b>description</b>	slicing machine blade ED ø 195mm seat ø 30mm 3-hole ID ø 155mm H 12.8mm C45 standard		

			
1			
<b>GEV No.</b>	697399	<b>Ref. No.</b>	00000000422
<b>description</b>	slicing machine blade ED ø 350mm seat ø 57mm 4 hole ID ø 280mm H 22.5mm C45 standard		


			
1			
<b>GEV No.</b>	697436	<b>Ref. No.</b>	00000000855
<b>description</b>	slicing machine blade ED ø 220mm seat ø 40mm 3-hole ID ø 180mm H 15.5mm C45		

sharpener units


lids

			
1			
<b>GEV No.</b>	696514	<b>Ref. No.</b>	00000000863
<b>description</b>	lid for sharpener units L 116mm W 100mm mounting distance 26mm		
<b>For models:</b>	250SCEV		

			
1			
<b>GEV No.</b>	697365	<b>Ref. No.</b>	00000000142
<b>description</b>	slicing machine blade ED ø 250mm seat ø 40mm 3-hole ID ø 210mm H 17.5mm C45 standard		
<b>For models:</b>	250SCEV		

			
1			
<b>GEV No.</b>	698643	<b>Ref. No.</b>	00000000596
<b>description</b>	lid for sharpener units L 150mm W 120mm		
<b>For models:</b>	300SCEP		

holders

			
1			
<b>GEV No.</b>	696493	<b>Ref. No.</b>	00000000771 00000009771 771+772
<b>description</b>	bracket for sharpener units L 60mm W 31mm H 78mm hole ø 12mm mounting thread M6 with fastening angle		
<b>For models:</b>	300SCEP		



## knobs



1

<b>GEV No.</b>	697441	<b>Ref. No.</b>	0000000854
<b>description</b>	locking screw thread M5 handle ø 25mm black L 30mm		
<b>For models:</b>	250SCEV		



1

<b>GEV No.</b>	696518	<b>Ref. No.</b>	0000009954
<b>description</b>	locking screw thread M5 L 47mm handle ø 25mm silver		



1

<b>GEV No.</b>	697428	<b>Ref. No.</b>	0000000138
<b>description</b>	locking screw thread M6 handle ø 25mm black L 15mm		



1

<b>GEV No.</b>	697384	<b>Ref. No.</b>	0000000734
<b>description</b>	locking screw thread M6 handle ø 25mm black L 54mm		
<b>For models:</b>	300SCEP		



1

<b>GEV No.</b>	696523	<b>Ref. No.</b>	0000009510
<b>description</b>	locking screw thread M6 L 53mm handle ø 34mm silver		



1

<b>GEV No.</b>	697445	<b>Ref. No.</b>	0000000677
<b>description</b>	mushroom cap handle thread M6 handle ø 33mm L 26mm plastic black		
<b>For models:</b>	300SCEP		

## sharpener units



1

<b>GEV No.</b>	697398	<b>Ref. No.</b>	0000009875
<b>description</b>	blade sharpener 220/250 edition until year of construction 2000		



1

<b>GEV No.</b>	697397	<b>Ref. No.</b>	0000009864
<b>description</b>	blade sharpener 220/250/275		
<b>For models:</b>	250SCEV		





1




<b>GEV No.</b>	697354	<b>Ref. No.</b>	0000009471
<b>description</b>	blade sharpener 275-300-350		








1

<b>GEV No.</b>	697376	<b>Ref. No.</b>	0000001151	
<b>description</b>	blade sharpener 300			
<b>spare parts for</b>	697376			
	<b>GEV No.</b>	697377	<b>Ref. No.</b>	0000000720
	grindstone ø 51mm thickness 12mm bore ø 8mm grained coarse without bevel			
	<b>GEV No.</b>	697378	<b>Ref. No.</b>	0000000721
	grindstone ø 51mm thickness 7mm bore ø 8mm grained fine with bevel, without hub			





 <p>1</p>			
<b>GEV No.</b>	697355	<b>Ref. No.</b>	00000009693
<b>description</b>	blade sharpener 350		
<b>For models:</b>	300SCEP		
<b>spare parts for</b>	697355		
	<b>GEV No.</b>	697377	<b>Ref. No.</b> 0000000720720
	grindstone ø 51mm thickness 12mm bore ø 8mm grained coarse without bevel		
	<b>GEV No.</b>	697378	<b>Ref. No.</b> 0000000721721
	grindstone ø 51mm thickness 7mm bore ø 8mm grained fine with bevel, without hub		

 <p>1</p>			
<b>GEV No.</b>	697420	<b>Ref. No.</b>	00000009168
<b>description</b>	blade sharpener PARKER		
<b>spare parts for</b>	697420		
	<b>GEV No.</b>	697423	<b>Ref. No.</b> 0000000816816
	grindstone ø 40mm thickness 8mm bore ø 6mm grained fine with bevel, with hub		
	<b>GEV No.</b>	697424	<b>Ref. No.</b> 0000000871871
	grindstone ø 40mm thickness 8mm bore ø 6mm grained coarse with bevel, with hub		
	<b>GEV No.</b>	697428	<b>Ref. No.</b> 0000000138138
	locking screw thread M6 handle ø 25mm black L 15mm		


<p>spindles</p>  <p>1</p>			
<b>GEV No.</b>	698633	<b>Ref. No.</b>	00000006670000000778
<b>description</b>	spindle for sharpener units ø 12mm L 95mm thread M5		

<p>grindstones</p>  <p>1</p>			
<b>GEV No.</b>	697378	<b>Ref. No.</b>	0000000721
<b>description</b>	grindstone ø 51mm thickness 7mm bore ø 8mm grained fine with bevel, without hub		
<b>For models:</b>	300SCEP		

<p>grindstones with hub</p>  <p>1</p>			
<b>GEV No.</b>	697424	<b>Ref. No.</b>	0000000871
<b>description</b>	grindstone ø 40mm thickness 8mm bore ø 6mm grained coarse with bevel, with hub		

 <p>1</p>			
<b>GEV No.</b>	697423	<b>Ref. No.</b>	0000000816
<b>description</b>	grindstone ø 40mm thickness 8mm bore ø 6mm grained fine with bevel, with hub		

 <p>1</p>			
<b>GEV No.</b>	697421	<b>Ref. No.</b>	0000000641
<b>description</b>	grindstone ø 45mm thickness 8mm bore ø 6mm grained coarse with bevel, with hub		
<b>For models:</b>	250SCEV		

 <p>1</p>			
<b>GEV No.</b>	697422	<b>Ref. No.</b>	0000000642
<b>description</b>	grindstone ø 45mm thickness 8mm bore ø 6mm grained fine with bevel, with hub		
<b>For models:</b>	250SCEV		

<p>grindstones cup form</p>  <p>1</p>			
<b>GEV No.</b>	697377	<b>Ref. No.</b>	0000000720
<b>description</b>	grindstone ø 51mm thickness 12mm bore ø 8mm grained coarse without bevel		
<b>For models:</b>	300SCEP		

## carriages

## handles



1

<b>GEV No.</b>	697380	<b>Ref. No.</b>	00000000432+00000000431 432+431
<b>description</b>	adjusting knob thread M10 handle ø 66mm black 300-330-350 L 29mm		



1

<b>GEV No.</b>	697442	<b>Ref. No.</b>	00000000676
<b>description</b>	cylindrical handle thread M12 ø 28mm L 30mm		
<b>For models:</b>	300SCEP		



1

<b>GEV No.</b>	697440	<b>Ref. No.</b>	00000000432
<b>description</b>	handle thread M10 handle ø 66mm H 51mm black		
<b>For models:</b>	300SCEP		



1

<b>GEV No.</b>	697381	<b>Ref. No.</b>	00000000629
<b>description</b>	handle thread M12 handle ø 66mm H 50mm black		



1

<b>GEV No.</b>	697427	<b>Ref. No.</b>	00000000881
<b>description</b>	locking screw thread M8 handle ø 28mm black L 22mm		



1

<b>GEV No.</b>	697426	<b>Ref. No.</b>	00000000833 old
<b>description</b>	locking screw thread M8 handle ø 43mm black L 22mm		



1

<b>GEV No.</b>	697425	<b>Ref. No.</b>	378+371 (old version)
<b>description</b>	locking screw thread M8 handle ø 50mm black 220/250/275		



1

<b>GEV No.</b>	696556	<b>Ref. No.</b>	00000000378 00000000833
<b>description</b>	locking screw thread M8x1.25 thread L 23mm handle ø 50mm black plastic 250		
<b>For models:</b>	250SCEV		



1

<b>GEV No.</b>	697935	<b>Ref. No.</b>	00000000378+00000000371 378+371
<b>description</b>	star handle thread M8 ø 50mm L 29mm black with thread bolt		

## accessories



1


<b>GEV No.</b>	696516	<b>Ref. No.</b>	00000000186
<b>description</b>	bracket for carriage L 56mm aluminium		




1


<b>GEV No.</b>	698631	<b>Ref. No.</b>	00000000895
<b>description</b>	spindle for carriage thread M6 L 170mm ø 12mm		
<b>For models:</b>	250SCEV		



			
1			
<b>GEV No.</b>	697827	<b>Ref. No.</b>	0000000678
<b>description</b>	spindle for slicer thread M10 L 95mm thread L 12/15mm total length 122mm ø 16mm stainless steel		
<b>For models:</b>	300SCEP		

			
1			
<b>GEV No.</b>	698628	<b>Ref. No.</b>	0000000774
<b>description</b>	threaded shaft thread M6 L 37mm for slicer		
<b>For models:</b>	300SCEP		


miscellaneous

			
1			
<b>GEV No.</b>	697356	<b>Ref. No.</b>	0000000300
<b>description</b>	bracket thread M10x0.75 ø 30mm for microswitch ID ø 14.5mm thickness 13mm mounting thread M5		

for vegetable slicers

miscellaneous

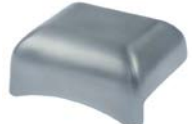
			
1			
<b>GEV No.</b>	110703	<b>Ref. No.</b>	0000000627
<b>description</b>	cylindrical handle thread M10 ø 28mm L 87mm		
<b>For models:</b>	300SCEP		

			
1			
<b>GEV No.</b>	697476	<b>Ref. No.</b>	0000000509
<b>description</b>	bush ø 14mm L 88mm ID ø 12mm		
<b>For models:</b>	250SCEV		

for cheese graters


miscellaneous


			
1			
<b>GEV No.</b>	110703	<b>Ref. No.</b>	0000000627
<b>description</b>	cylindrical handle thread M10 ø 28mm L 87mm		
<b>For models:</b>	300SCEP		

			
1			
<b>GEV No.</b>	698419	<b>Ref. No.</b>	0000000867
<b>description</b>	cover L 115mm W 100mm for motor plastic		
<b>For models:</b>	250SCEV		

for tilting bratt pans

miscellaneous


			
1			
<b>GEV No.</b>	523510	<b>Ref. No.</b>	0000000860
<b>description</b>	deep-groove ball bearing type 6202-2RS shaft ø 15mm ED ø 35mm W 11mm with sealing discs deep-groove ball bearing DIN 625-1		
<b>For models:</b>	250SCEV		


			
1			
<b>GEV No.</b>	698388	<b>Ref. No.</b>	0000000765
<b>description</b>	mounting flange ø 18mm L 128mm W 28mm		
<b>For models:</b>	300SCEP		

for rolling grills

pipes

bushes

			
1			
<b>GEV No.</b>	694605	<b>Ref. No.</b>	00000100075
<b>description</b>	bushing set ED ø 38mm ID ø 29mm mounting ø 32 H 4.2/6.2mm PTFE		

			
1			
<b>GEV No.</b>	698392	<b>Ref. No.</b>	0000000828
<b>description</b>	thread bolt thread M6 ø 6mm L 35mm for slicer		
<b>For models:</b>	250SCEV, 300SCEP		

## handles and hand wheels

### cylindrical handles

fixed



1

<b>GEV No.</b>	110703	<b>Ref. No.</b>	00000000627
<b>description</b>	cylindrical handle thread M10 ø 28mm L 87mm		
<b>For models:</b>	300SCEP		



1

<b>GEV No.</b>	698472	<b>Ref. No.</b>	00000000327
<b>description</b>	cylindrical handle thread M6 ø 24mm L 76mm black internal thread		
<b>For models:</b>	250SCEV		



1

<b>GEV No.</b>	697442	<b>Ref. No.</b>	00000000676
<b>description</b>	cylindrical handle thread M12 ø 28mm L 30mm		
<b>For models:</b>	300SCEP		

### cone handles



1

<b>GEV No.</b>	697432	<b>Ref. No.</b>	00000000825
<b>description</b>	cone handle thread M6 ø 26mm plastic L 70mm thread L 6mm		
<b>For models:</b>	250SCEV		

## mushroom cap handles



1

<b>GEV No.</b>	697445	<b>Ref. No.</b>	00000000677
<b>description</b>	mushroom cap handle thread M6 handle ø 33mm L 26mm plastic black		
<b>For models:</b>	300SCEP		



1

<b>GEV No.</b>	698641	<b>Ref. No.</b>	00000001111
<b>description</b>	mushroom cap handle thread M6 handle ø 34mm L 25mm aluminium		

## equipment feet and end caps

### screw-in feet



1

<b>GEV No.</b>	701451	<b>Ref. No.</b>	00000001240
<b>description</b>	equipment foot thread M5 thread L 13mm ø 37.5mm H 25mm conical aluminium WS Qty 1 pcs bore ø 6mm		



1

<b>GEV No.</b>	697770	<b>Ref. No.</b>	00000000628
<b>description</b>	equipment foot thread M8 thread L 12mm ø 47mm H 35mm Qty 1 pcs		
<b>For models:</b>	300SCEP		




1

<b>GEV No.</b>	698495	<b>Ref. No.</b>	00000001251
<b>description</b>	equipment foot thread M8 thread L 9mm ø 48mm H 43mm conical aluminium WS Qty 1 pcs		






bolting feet

 <p>1</p>			
<b>GEV No.</b>	697433	<b>Ref. No.</b>	0000000140 00000700140
<b>description</b>	equipment foot $\varnothing$ 35mm H 26mm bore $\varnothing$ 5mm Qty 1 pcs		
<b>For models:</b>	250SCEV		

gaskets

shaft gaskets


 <p>1</p>			
<b>GEV No.</b>	697475	<b>Ref. No.</b>	00000012671
<b>description</b>	shaft seal ID $\varnothing$ 20mm ED $\varnothing$ 30mm thickness 5mm		
<b>For models:</b>	250SCEV		

transmission technology and ball bearings

ball bearings

deep-groove ball bearings 2RS

 <p>1</p>			
<b>GEV No.</b>	523501	<b>Ref. No.</b>	00000000637
<b>description</b>	deep-groove ball bearing type 608-2RS shaft $\varnothing$ 8mm ED $\varnothing$ 22mm W 7mm with sealing discs deep-groove ball bearing DIN 625-1		
<b>For models:</b>	300SCEP		


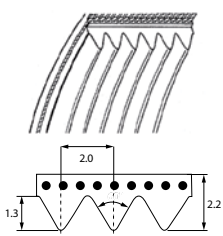
 <p>1</p>			
<b>GEV No.</b>	523510	<b>Ref. No.</b>	00000000860
<b>description</b>	deep-groove ball bearing type 6202-2RS shaft $\varnothing$ 15mm ED $\varnothing$ 35mm W 11mm with sealing discs deep-groove ball bearing DIN 625-1		
<b>For models:</b>	250SCEV		


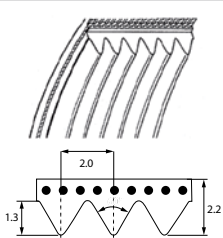
 <p>1</p>			
<b>GEV No.</b>	523512	<b>Ref. No.</b>	00000000632
<b>description</b>	deep-groove ball bearing type 6204-2RS shaft $\varnothing$ 20mm ED $\varnothing$ 47mm W 14mm with sealing discs deep-groove ball bearing DIN 625-1		
<b>For models:</b>	300SCEP		


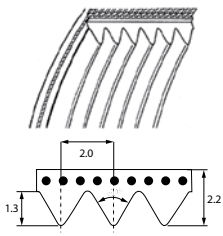
 <p>1</p>			
<b>GEV No.</b>	523504	<b>Ref. No.</b>	00000000862
<b>description</b>	deep-groove ball bearing type 626-2RS shaft $\varnothing$ 6mm ED $\varnothing$ 19mm W 6mm with sealing discs deep-groove ball bearing DIN 625-1		
<b>For models:</b>	250SCEV		

drive belts

poly-v belts

  <p>1</p>			
<b>GEV No.</b>	698215	<b>Ref. No.</b>	00000000635
<b>description</b>	poly-v belt grooves 10 W 20mm L 400mm profile TB2		
<b>For models:</b>	300SCEP		

  <p>1</p>			
<b>GEV No.</b>	698216	<b>Ref. No.</b>	00000001026
<b>description</b>	poly-v belt grooves 10 W 20mm L 480mm profile TB2		

  <p>1</p>			
<b>GEV No.</b>	698213	<b>Ref. No.</b>	00000000573
<b>description</b>	poly-v belt grooves 11 W 22mm L 430mm profile TB2		

1

<b>GEV No.</b>	698963	<b>Ref. No.</b>	00000000492
<b>description</b>	poly-v belt grooves 5 W 10mm L 310mm profile TB2		

1

<b>GEV No.</b>	698217	<b>Ref. No.</b>	00000000861
<b>description</b>	poly-v belt grooves 7 W 14mm L 330mm profile TB2		
<b>For models:</b>	250SCEV		

## fastening material

### screws

#### side bolts

1

<b>GEV No.</b>	560551	<b>Ref. No.</b>	00000000615
<b>description</b>	side bolts thread M10 L 15mm SS Qty 1 pcs intake slotted head ø 24.5mm		
<b>For models:</b>	300SCEP		

### knurled screws

1

<b>GEV No.</b>	697481	<b>Ref. No.</b>	00000000623
<b>description</b>	Thumb screw thread M6 thread L 8mm ø 14mm H 6mm SS		
<b>For models:</b>	250SCEV, 300SCEP		

### washers

#### spring washers

1

<b>GEV No.</b>	697479	<b>Ref. No.</b>	00000000856
<b>description</b>	spring washer ID ø 14mm ED ø 21mm Qty 1 pcs		

1

<b>GEV No.</b>	697478	<b>Ref. No.</b>	00000000671
<b>description</b>	spring washer ID ø 19mm ED ø 26mm Qty 1 pcs		
<b>For models:</b>	300SCEP		

**B**

booster pumps II 6

**C**

cables 7

condensators & interference suppression filters 6

**E**

electric accessories 7

**F**

fastening material 20

**K**

knurled screws 20

**M**

microswitches 3

motors 4

**O**

operating capacitors 6

**P**

power supply cables 7

pumps 6

push/momentary push switches 3

**S**

screws 20

shaft gaskets 19

side bolts 20

spring washers 20

switches and momentary switches 3