



**GAS COMPONENTS**



**ELECTRIC COMPONENTS**



**WATER TECHNOLOGY**



**MECHANICAL COMPONENTS**



**TOOLS**

Spare parts suitable for

**RWA**

Find the complete and up-to-date range of products in our GEV Webshop



# Manufacturer catalogue

The most important spare parts and accessories arranged clearly for every manufacturer

- ✓ Complete product range and all appliance data always up to date in the GEV Webshop
- ✓ Alphabetical Index at the end of the catalogue

## GEV Webshop

[www.gev-online.co.uk](http://www.gev-online.co.uk)

[www.gev-online.com](http://www.gev-online.com)



- 🔍 Add to Favourites
- 🔍 Sign In with email address and usual password
- 🔍 Easy-order – place several items in your basket at the same time
- 🔍 Quick Item search – no login needed



## heating elements

### heating elements for refrigeration

#### heating elements for defrosting



<b>GEV No.</b>	420518	<b>Ref. No.</b>	C01AA46A0007
<b>description</b>	heating element 500W 220V L 290mm W 96mm H 88mm cable length 400mm tube ø 8.5mm		

#### miscellaneous



<b>GEV No.</b>	420491	<b>Ref. No.</b>	E24075121000
<b>description</b>	heating element 20W 230V L 225mm W 195mm H 2.5mm connection plug cable length 1000mm		



<b>GEV No.</b>	420277	<b>Ref. No.</b>	DL00013721 RW40.05
<b>description</b>	heating element 65W 220-240V L 120mm W 20mm H 21mm connection Faston 6.3mm cable length 300mm tube ø 12mm refrigeration		

### heating cables

#### connection on both sides

#### with male fastons



<b>GEV No.</b>	420492	<b>Ref. No.</b>	E24075104400
<b>description</b>	heating cable 10W 230V L 4400mm L1 (unheated) 500mm L2 (heated) 3900mm		

## thermostats

### bi-metal thermostats

#### bi-metal thermostats

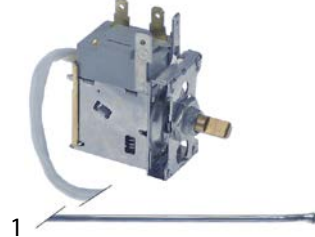


<b>GEV No.</b>	391010	<b>Ref. No.</b>	E31A25001000
<b>description</b>	bi-metal thermostat hole distancemm switch-off temp. 25°C NC 1-pole 16A 230V connection coded plug		

## control and safety thermostats

#### various

#### control thermostats



<b>GEV No.</b>	390870	<b>Ref. No.</b>	DL00013719 GHR1040-14 RW40.20
<b>description</b>	thermostat t.max.°C temperature range°C 1-pole 1NO 5A probe ø 2mm probe Lmm capillary pipe 750mm capillary pipe isolated 250mm gland nut shaft ø 6x4mm shaft L 12mm shaft position 45° rotation 270° probe material SS 250V Qty 1 pcs		

### accessories

#### axis extensions



<b>GEV No.</b>	551215	<b>Ref. No.</b>	DL04001561 GHR1040-17 GHR2600-17 RW40.23
<b>description</b>	shaft extension total length 89mm shaft ø 6x4.6mm Qty 1 pcs		

## switches and momentary switches

### rocker/momentary rocker switches

#### 30x22mm



<b>GEV No.</b>	347791	<b>Ref. No.</b>	E2301GR00001 GDS1134-01 GDS1134-1 GDS1600-01 GDS1600-1 GHS1600-21 GPS1600-01 GPS1600-1 GSA1134-01 GSA1134-1 GSA1600-01 GSA1600-1 GSD1600-01 GSD1600-1 GSF1600-01 GSF1600-1 S900.01
<b>description</b>	rocker switch mounting measurements 30x22mm green 2NO 230V 20A illuminated 0-I connection male faston 6.3mm ambient temperature max. 125/55°C protection IP65 with rubber collar		

electric components



## push/momentary push switches

19x13mm



1

<b>GEV No.</b>	348188	<b>Ref. No.</b>	E2307BK00001
<b>description</b>	push switch mounting measurements 19x13mm black 1NO 250V 10A connection F4.8		

## microswitches

with push button

switches with snap-fit



1

<b>GEV No.</b>	347801	<b>Ref. No.</b>	DL00013069 GHR1040-30 GHR2600-30 RW40.36
<b>description</b>	microswitch with plunger 250V 0.5A 1NC connection male faston 4.8mm L 28x10mm ambient temperature max. 85°C type built-in version actuating force: 150g		



1

<b>GEV No.</b>	346772	<b>Ref. No.</b>	E2306WH00001
<b>description</b>	microswitch with push button 250V 5A 1CO connection male faston 4.8mm L 24x27mm ambient temperature max. 85°C actuating force: 160g		



1

<b>GEV No.</b>	348184	<b>Ref. No.</b>	E2309WH00002 RC400.23
<b>description</b>	switch 250V 4A 1NO connection F4.8 L 40mm L1 24mm L2 16mm		

## lamps

LED

LED lamps



1

<b>GEV No.</b>	701629	<b>Ref. No.</b>	E308AA0000001
<b>description</b>	lamp socket LED dimensions 76x78mm		

## fridge lamps

producer-specific fridge lamps

RWA



1

<b>GEV No.</b>	357143	<b>Ref. No.</b>	DL04001633 GHR1040-32 GHR2600-32 RW40.38
<b>description</b>	cover for lamp plastic ø 62mm clear Qty 1 pcs		



1

<b>GEV No.</b>	357144	<b>Ref. No.</b>	GHR1040-31 GHR2600-31 RW40.37
<b>description</b>	lamp holder for LEDs ø 84mm Qty 1 pcs		



1

<b>GEV No.</b>	357127	<b>Ref. No.</b>	GHR1040-29 GHR2600-29 RW40.35
<b>description</b>	LED refrigerator GHR1040 white 220V PCB voltage AC		




1

<b>GEV No.</b>	698879	<b>Ref. No.</b>	E22AC0080015
<b>description</b>	LED lamp 1.5W 12V L 75mm W 32mm H 28mm cable length 100mm Qty 1 pcs		



## transformers

### power supplies


			
1			
<b>GEV No.</b>	530625	<b>Ref. No.</b>	E26A10120050
<b>description</b>	power supply primary 100-240VAC secondary 12VDC 5VA secondary 0.42A H 20mm L 55mm W 40mm 50/60Hz		

## electronic controllers

### DIXELL


#### refrigeration controllers

##### built-in version

			
1			
<b>GEV No.</b>	378256	<b>Ref. No.</b>	GDS1134-02 GDS1134-2 GDS1600-02 GDS1600-2 GFR2600-27 GHS1600-22 GPS1600-02 GPS1600-2 GRE2600-34 GSA1134-02 GSA1134-2 GSA1600-02 GSA1600-2 GSD1600-02 GSD1600-2 GSF1600-02 GSF1600-2 RC600.34 RN600.27 S900.02
<b>description</b>	electronic controller DIXELL XR02CX-5N0C0 mounting measurements 71x29mm built-in depth 56mm 230V voltage AC NTC relay outputs 1 CO-8A(4) NTC protection IP54 defrosting function/time control -40 up to +110°C display 2½ digit		
<b>spare parts for</b>	378256		
	<b>GEV No.</b>	379161	<b>Ref. No.</b> —
	temperature probe NTC 10kOhm cable thermoplastic probe -40 up to +110°C cable -40 up to +110°C probe ø6x14mm cable length 3m without screw connection 2-wire		
<b>accessories for</b>	378256		
	<b>GEV No.</b>	378194	<b>Ref. No.</b> —
	temperature probe NTC 10kOhm cable PVC probe -20 up to +80°C cable -10 up to 100°C probe ø7x24.5mm cable length 1.5m without screw connection 2-wire		
	<b>GEV No.</b>	379057	<b>Ref. No.</b> —
	temperature probe NTC 10kOhm cable PVC probe -20 up to +80°C cable -10 up to 100°C probe ø6x25mm cable length 3m 2-wire		

<b>accessories for</b>	378256		
	<b>GEV No.</b>	379160	<b>Ref. No.</b> E21010150001 GDS1134-32 GDS1600-32 GPS1600-32 GSA1134-32 GSA1600-32 GSD1600-32 GSF1600-32 S900.32
	temperature probe NTC 10kOhm cable thermoplastic probe -40 up to +110°C cable -40 up to +110°C probe ø6x14mm cable length 1.5m without screw connection 2-wire		
	<b>GEV No.</b>	379161	<b>Ref. No.</b> —
	temperature probe NTC 10kOhm cable thermoplastic probe -40 up to +110°C cable -40 up to +110°C probe ø6x14mm cable length 3m without screw connection 2-wire		
	<b>GEV No.</b>	379343	<b>Ref. No.</b> —
	temperature probe NTC 10kOhm cable silicone probe -40 up to +110°C cable -50 up to +180°C probe ø6x40mm cable length 3m 2-wire		
	<b>GEV No.</b>	379458	<b>Ref. No.</b> —
	temperature probe NTC 10kOhm cable silicone probe -40 up to +110°C cable -50 up to +180°C probe ø6x40mm cable length 1.5m without screw connection 2-wire		

			
1			
<b>GEV No.</b>	378267	<b>Ref. No.</b>	E20A111C0D00 E20A111C4D00 RC400.21 RN400.25
<b>description</b>	electronic controller DIXELL XR02CX-5N0C1 mounting measurements 71x29mm built-in depth 56mm 230V voltage AC NTC relay outputs 1 NO-20A(8) NTC DI protection IP54 defrosting function/time control -40 up to +110°C display 2½ digit		
<b>accessories for</b>	378267		
	<b>GEV No.</b>	379161	<b>Ref. No.</b> —
	temperature probe NTC 10kOhm cable thermoplastic probe -40 up to +110°C cable -40 up to +110°C probe ø6x14mm cable length 3m without screw connection 2-wire		
	<b>GEV No.</b>	381249	<b>Ref. No.</b> —
	temperature probe NTC 10kOhm cable PVC probe -40 up to +110°C cable -10 up to 100°C connection 2-wire thread probe ø6x14mm cable length 3m		


			
1			
<b>GEV No.</b>	378535	<b>Ref. No.</b>	E20A113F0D00
<b>description</b>	electronic controller DIXELL XR06CX-5R0C1 mounting measurements 71x29mm 230V voltage AC NTC relay outputs 3 NO-20A(8) CO-8A(3) NO-5A(2) NTC NTC DI protection IP54 0 up to +60°C display 2½ digit		



## probes


### universal probes

#### temperature probes

1 			
<b>GEV No.</b>	379160	<b>Ref. No.</b>	E21010150001 GDS1134-32 GDS1600-32 GPS1600-32 GSA1134-32 GSA1600-32 GSD1600-32 GSF1600-32 S900.32
<b>description</b>	temperature probe NTC 10kOhm cable thermoplastic probe -40 up to +110°C cable -40 up to +110°C probe ø6x14mm cable length 1.5m without screw connection 2-wire		


### accessories

#### fasteners


1 			
<b>GEV No.</b>	692373	<b>Ref. No.</b>	GDS1134-31 GDS1600-31 GPS1600-31 GSA1134-31 GSA1600-31 GSD1600-31 GSF1600-31 S900.31
<b>description</b>	probe clip for temperature probe L 50mm W 31mm H 6mm SS hole ø 5mm hole distance 30mm Qty 1 pcs		

## electronics

### PCBs

1 			
<b>GEV No.</b>	403189	<b>Ref. No.</b>	DL00013089 GHR1040-15 GHR2600-15 RW40.21
<b>description</b>	PCB refrigerator GHR1040 L 60mm W 17.5mm Qty 1 pcs		

## cooling aggregates

<b>GEV No.</b>	379304***	<b>Ref. No.</b>	123456
<b>description</b>			
<b>For models:</b>			
<b>spare parts for</b>	605145		
	<b>GEV No.</b>	420277	<b>Ref. No.</b> DL00013721 RW40.05
<b>description</b>	heating element 65W 220-240V L 120mm W 20mm H 21mm connection Faston 6.3mm cable length 300mm tube ø 12mm refrigeration		

## compressors

### ACC/ZEL

#### R134A

#### LBP monophase

Lower evaporation temperature below -20°C

1 			
<b>GEV No.</b>	605126	<b>Ref. No.</b>	E27B1H1Z0000 GDS1134-41 GHS1134-18 GHS2134-18 GPS1134-41 GSA1134-41 GSF1134-41 S900.41
<b>description</b>	compressor coolant R134a type OF1350A 220-240V 50Hz LBPkg 1/4HP power input 158W cylinder capacity 7.5cm³ RSIR H 183mmWWWWWWWWW ZEL		

#### MBP monophase

Medium evaporation temperature above -20°C

1 			
<b>GEV No.</b>	605253	<b>Ref. No.</b>	E27B1J1Z0000 RN400.08 RN400.08+RN400.09+RN400.10
<b>description</b>	compressor coolant R134a type GTH93AA 220-240V 50Hz MBP 9.8kg 1/4HP cylinder capacity 9.3cm³ RSIR/RSCR H 184mmWWWWWWW		



R600A

LBP monophase

Lower evaporation temperature below -20°C



<b>GEV No.</b>	605141	<b>Ref. No.</b>	E27B6F1Z0001 GDS1600.41 GPS1600.41 GSA1600.41 GSD1600.41 GSF1600.41 S960.01
<b>description</b>	compressor coolant R600a type HPY12AAa 220-240V 50Hz LBP 8.8kg 1/5HP cylinder capacity 12cm <sup>3</sup> RSIR H 200mmWWWWWWWWWW		



<b>GEV No.</b>	605251	<b>Ref. No.</b>	RC400.07 RC400.07+RC400.08+RC400.09
<b>description</b>	compressor coolant R600a type HVT10AA 220-240V 50Hz LBP 7.8kg 1/6HP cylinder capacity 10cm <sup>3</sup> RSCR H 174mmWWWW		

EMBRACO / ASPERA

R404a/R507

LBP monophase

Lower evaporation temperature below -20°C



<b>GEV No.</b>	605147	<b>Ref. No.</b>	GRE2600-08 RC600.08
<b>description</b>	compressor coolant R600a type HTH14AA 220-240V 50Hz LBP 9.37kg 1/4HP cylinder capacity 14cm <sup>3</sup> RSIR/RSCR H 183mmWWWWWWWW		



<b>GEV No.</b>	605164	<b>Ref. No.</b>	E27A4P4E0000
<b>description</b>	compressor coolant R404a/R507 type NT2178GK 220-240V 50Hz LBP 17kg 1HP cylinder capacity 17.4cm <sup>3</sup> CSR H 220mm 442W 610W 808W 1032W 1285W 1565WWWWWW		



<b>GEV No.</b>	650150	<b>Ref. No.</b>	GHS1600-18 GHS2600-18 VRX1560.01
<b>description</b>	compressor coolant R600a type HVM67AA 220-240V 50Hz LBP 7.5kg 1/8HP cylinder capacity 7cm <sup>3</sup> RSIR H 180mmWWWW		



## SECOP DANFOSS


R134A

HMBP monophase

High/Medium evaporation temperature above -20/-15 °C



1

<b>GEV No.</b>	605087	<b>Ref. No.</b>	E27A1N2S0000
<b>description</b>	compressor coolant R134a type SC12G 220-240V 50Hz HMBP fully hermetic 12.6kg 1/3HP power input 470W cylinder capacity 12.9cm <sup>3</sup> RSIR/CSIR H 203mm 140W 216W 312W 430W 574W 746W 951W 1191W 1469W test method ASHRAE 79.6W 1790W		
<b>spare parts for</b>	605087		
	<b>GEV No.</b>	380483	<b>Ref. No.</b> —
	start relay DANFOSS 117U6003 HST		

## miscellaneous

R134A



1

<b>GEV No.</b>	605148	<b>Ref. No.</b>	GFR2600-06 RN600.06
<b>description</b>	compressor KULTHORN type AEA2415Y coolant R134a 220-240V 50Hz		

## accessories

starting relays

miscellaneous



1

<b>GEV No.</b>	381450	<b>Ref. No.</b>	RC600.13 RC600.14 RC600.14+RC600.13
<b>description</b>	start relay 230V 16A		



1

<b>GEV No.</b>	381449	<b>Ref. No.</b>	RN600.09
<b>description</b>	start relay KULTHORN KME 682-26NT 230V 16A		

## overload protector (klixon)



1

<b>GEV No.</b>	391044	<b>Ref. No.</b>	RN600.08
<b>description</b>	overload protector for engine protective curcuit breaker Klixon with cable t.max. 105°C		

## fans

axial fans

ebm-papst



1

<b>GEV No.</b>	601813 <sup>1</sup>	<b>Ref. No.</b>	E1781A190001 GRE2600-33 RC600.33
<b>description</b>	axial fan L 119mm W 119mm H 38mm 230VAC 50/60Hz 19W bearing ball bearing manuf. no. 4656N/A02 cable length 800mm metal connection plug ebm-papst fan wheel ø 110mm		

<sup>1</sup>with slide bearings



import



1			
<b>GEV No.</b>	601604 <sup>1</sup>	<b>Ref. No.</b>	E17A1A010100 GDS1134-34 GDS1600-34 GHS1600-16 GPS1600-34 GSA1134-34 GSA1600-34 GSD1600-34 GSF1600-34 S900.34
<b>description</b>	axial fan L 119mm W 119mm H 38mm 230VAC 50/60Hz 17/15W bearing slide bearing manuf. no. AA1282HS-AT connection cable 300mm fan wheel ø 110mm temp.-resist. 70°C input current 0.1A airflow 130m <sup>3</sup> /h 2600rpm		

<sup>1</sup>with slide bearings



refrigeration fans

refrigeration motors universal

ebm-papst

miscellaneous

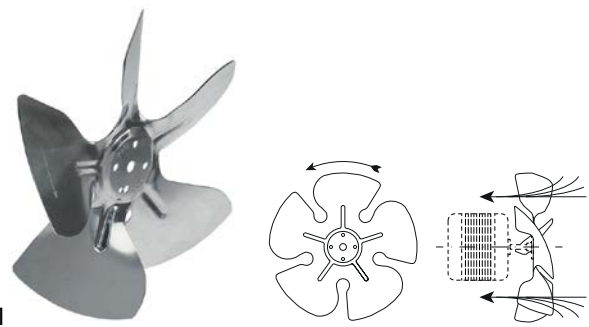


1			
<b>GEV No.</b>	601783	<b>Ref. No.</b>	E17A1A050500 E17A1A100900 GDS1134-37 GDS1600-37 GPS1134-37 GPS1600-37 GSF1134-37 GSF1600-37 S900.37
<b>description</b>	fan motor 10W 230V 50/60Hz L3 87mm W 67mm cable length 400mm 1300rpm ebm-papst M4Q045-CA03-51/C18 3 mounting options bearing slide bearing for refrigerated counters		
<b>spare parts for</b>	601783		
	<b>GEV No.</b>	601413	<b>Ref. No.</b> —
	fixing plate suitable for fanwheel ED ø 32mm shaft ø 7 mounting distance 26mm		
<b>accessories for</b>	601783		
	<b>GEV No.</b>	601385	<b>Ref. No.</b> E181A1723401
	fan wheel sucking ø 172mm fan wheel mounting 25.4mm blade angle 34° W 42mm aluminium		

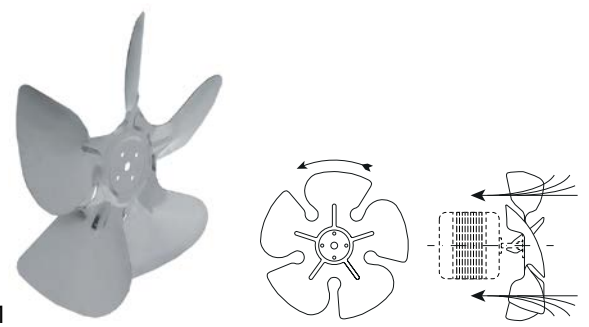
accessories

fan wheels

aluminium



1			
<b>GEV No.</b>	601385	<b>Ref. No.</b>	E181A1723401
<b>description</b>	fan wheel sucking ø 172mm fan wheel mounting 25.4mm blade angle 34° W 42mm aluminium		

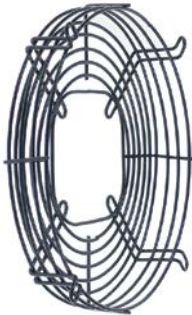


1			
<b>GEV No.</b>	602113	<b>Ref. No.</b>	E181A2303401
<b>description</b>	fan wheel sucking ø 230mm fan wheel mounting 25.4mm blade angle 34°		

fan guards




1			
<b>GEV No.</b>	601738	<b>Ref. No.</b>	GDS1134-38 GDS1600-38 GPS1600-38 GSA1134-38 GSA1600-38 GSF1600-38 S900.38
<b>description</b>	guard for fan wheel ø 170mm ø 216mm H 30mm mounting distance 1 224 up to 254mm mounting distance 2 94.5mm		



1

<b>GEV No.</b>	602101	<b>Ref. No.</b>	E192A1200300 E192A1723800
<b>description</b>	guard ø 210mm H 35mm mounting distance 1 230mm mounting distance 2 100mm		



1

<b>GEV No.</b>	602112	<b>Ref. No.</b>	E191A2303800 E192A2303800
<b>description</b>	guard ø 250mm H 28mm mounting distance 1 265mm mounting distance 2 115mm		

cross flow fans

IMPORT




1

<b>GEV No.</b>	601812	<b>Ref. No.</b>	E17A2A130000 GRE2600.16 RC400.06 RC600.16
<b>description</b>	cross flow fan YJ61-14A-HZ01 roller ø 60mm roller length 180mm laminated core thickness 18mm motor position left 220-240V/50-60Hz 13W refrigeration bearing rubber connection plug -30 up to +100°C 220V cable length 300mm 50Hz		

accessories for cross flow fans

fasteners




1

<b>GEV No.</b>	692388	<b>Ref. No.</b>	DL60001670 GRE2600-17 RC600.17
<b>description</b>	bracket for cross flow fan L 295mm W 85mm H 25mm Qty 1 pcs		

condensators & interference suppression filters

starting capacitors




1

<b>GEV No.</b>	365214	<b>Ref. No.</b>	RC600.12
<b>description</b>	starting capacitor 5µF 450V 50/60Hz duty cycle 5% ø 35mm L 60.5mm connection male faston 4.8mm		

electric accessories


cables

power supply cables



1


<b>GEV No.</b>	698880	<b>Ref. No.</b>	E25EUB315300
<b>description</b>	connecting cable 3-pole contacts P+N+E 1.5mm <sup>2</sup> max. 16A max 250V 2.9m		




1


<b>GEV No.</b>	699313	<b>Ref. No.</b>	E25EUG310250 RN600.01
<b>description</b>	connecting cable CEE7/7 type E+F 3-pole contacts P+N+E 0.75mm <sup>2</sup> max. 16A max 250V 2.87m		



			
1			
<b>GEV No.</b>	699317	<b>Ref. No.</b>	GPS1600-45 GSF1600-45 S900.47
<b>description</b>	connecting cable CEE7/7 type E+F 3-pole contacts P+N+E 1.5mm <sup>2</sup> max. 16A max 250V 2.95m H05VV-F black		

			
1			
<b>GEV No.</b>	551193	<b>Ref. No.</b>	DL03001341 GHR1040-13 GHR2600-13 RW40.19
<b>description</b>	power lead CEE7/7 type E+F 3-pole contacts P+N+E 1.5mm <sup>2</sup> max. 16A max 230V 1.37m H07RN-F 3G1.50mm <sup>2</sup> countries A/B/D/F/I		

terminal boxes


			
1			
<b>GEV No.</b>	551214	<b>Ref. No.</b>	S900.48 S960.02
<b>description</b>	terminal box 4-pole L 90mm W 52mm H 28mm with strain relief Qty 1 pcs		

equipment-specific units

for fridges

spare parts and accessories


			
1			
<b>GEV No.</b>	698881	<b>Ref. No.</b>	P01AA08A0002
<b>description</b>	filter for condensate L 270mm W 228mm H 3.5mm plastic		


			
1			
<b>GEV No.</b>	750691	<b>Ref. No.</b>	P01AF00A0004 RN400.11 RN400.12
<b>description</b>	pressure compensation valve L 104mm W 59mm H 87mm		

housing and bezels

covers

			
1			
<b>GEV No.</b>	694588	<b>Ref. No.</b>	DL60001776 GRE2600-31 RC600.31
<b>description</b>	cover for axial flow fan W 663mm H 222mm plate thickness max. 0.7mm plate Qty 1 pcs		

			
1			
<b>GEV No.</b>	701271	<b>Ref. No.</b>	DL00009466 GHR1040-12 RW40.18
<b>description</b>	cover cap for Phillips screw plastic ø 12mm Qty 1 pcs		

			
1			
<b>GEV No.</b>	692389	<b>Ref. No.</b>	DL04001228 GHR1040-21 RW40.27
<b>description</b>	deflector L 304mm W 25mm H 125mm aluminium Qty 1 pcs		

## control panel



1

<b>GEV No.</b>	692381	<b>Ref. No.</b>	DL04001231 GHR1040-19 GHR2600-19 RW40.25
<b>description</b>	control panel for fridge W 72mm H 110mm Qty 1 pcs		



1

<b>GEV No.</b>	699316	<b>Ref. No.</b>	RC400.20 RN400.21
<b>description</b>	front panel L 598mm W 78mm H 52mm		

## housings



1

<b>GEV No.</b>	692382	<b>Ref. No.</b>	DL03001148 GHR1040-18 GHR2600-18 RW40.24
<b>description</b>	housing for thermostat black L 110mm W 70mm H 55mm Qty 1 pcs		

## holders



1

<b>GEV No.</b>	692384	<b>Ref. No.</b>	DL52101002 GFR2600-21 P01AF07A0004 RN400.22 RN600.21
<b>description</b>	bracket for evaporator mounting pos. left L 98mm W 34mm H 37mm plastic Qty 1 pcs		



1

<b>GEV No.</b>	692383	<b>Ref. No.</b>	DL52101005 GFR2600-20 P01AF07A0003 RN400.24 RN600.20
<b>description</b>	bracket for evaporator mounting pos. right L 98mm W 34mm H 37mm plastic Qty 1 pcs		

## caps



1

<b>GEV No.</b>	692735	<b>Ref. No.</b>	RC400.33 RN400.31
<b>description</b>	cap for evaporator fan grey ø 24mm mounting ø 18mm H 5mm		



1

<b>GEV No.</b>	692372	<b>Ref. No.</b>	GDS1134-03 GDS1134-3 GDS1600-03 GDS1600-3 GHS1600-12 GPS1600-03 GPS1600-3 GSA1134-03 GSA1134-3 GSA1600-03 GSA1600-3 GSF1600-03 GSF1600-3 S900.03
<b>description</b>	cap grey ø 16.5mm mounting ø 12.5mm H 7mm Qty 1 pcs		


## miscellaneous




1

<b>GEV No.</b>	701268	<b>Ref. No.</b>	A01AF07A0002 GFR2600-32 RN400.23 RN600.32
<b>description</b>	U profile for evaporator L 635mm W 16mm H 13mm aluminium Qty 1 pcs		



			
1			
<b>GEV No.</b>	701547	<b>Ref. No.</b>	RC400.17 RN400.18 S41AE62A0003
<b>description</b>	ventilation grille H 60mm L 600mm		

			
1			
<b>GEV No.</b>	701267	<b>Ref. No.</b>	GFR2600-14 GRE2600-21 RC600.21 RN600.14 S41AE60A0014
<b>description</b>	ventilation grille white H 61mm L 770mm mounting pos. lower Qty 1 pcs		


drawers

drawers

			
1			
<b>GEV No.</b>	699320	<b>Ref. No.</b>	S901-4D.51
<b>description</b>	drawer for fridge L 590mm W 428mm H 255mm stainless steel		

doors

doors

			
1			
<b>GEV No.</b>	699406	<b>Ref. No.</b>	RC400.30 RN400.29 S41AE02A0002
<b>description</b>	door L 1715mm W 600mm H 76mm		

			
1			
<b>GEV No.</b>	694543	<b>Ref. No.</b>	GFR2600-30 GRE2600-41 RC600.41 RN600.30
<b>description</b>	door W 765mm H 1740mm thickness 63mm		

## miscellaneous



1

<b>GEV No.</b>	692731	<b>Ref. No.</b>	RC600.11
----------------	--------	-----------------	----------

<b>description</b>	bracket L 80mm W 58mm D 25mm zinc-plated sheet steel		
--------------------	--	--	--



1

<b>GEV No.</b>	692256	<b>Ref. No.</b>	GSA1134-29 GSA1600-29 S900.29
----------------	--------	-----------------	-------------------------------------

<b>description</b>	opposite support for bolt L 43mm hole $\varnothing$ 6mm hole distance 28.5mm		
--------------------	--	--	--



1

<b>GEV No.</b>	701272	<b>Ref. No.</b>	DL04001497 GHR1040-22 RW40.28
----------------	--------	-----------------	-------------------------------------

<b>description</b>	shelf large for fridge W 325mm H 9mm D 145mm plastic Qty 1 pcs		
--------------------	--	--	--



1

<b>GEV No.</b>	701274	<b>Ref. No.</b>	GHR1040-24 RW40.30
----------------	--------	-----------------	-----------------------

<b>description</b>	shelf set for door W 290mm H 60mm D 103/77mm plastic Qty 1 pcs		
--------------------	--	--	--



1

<b>GEV No.</b>	701273	<b>Ref. No.</b>	DL04001498 GHR1040-23 RW40.29
----------------	--------	-----------------	-------------------------------------

<b>description</b>	shelf small for fridge W 325mm H 9mm D 120mm plastic Qty 1 pcs		
--------------------	--	--	--



1

<b>GEV No.</b>	694590	<b>Ref. No.</b>	DL03001602 GHR1040-10 GHR2600-10 RW40.16
----------------	--------	-----------------	---

<b>description</b>	spacer $\varnothing$ 12mm ID $\varnothing$ 7.6mm H 1.4mm plastic Qty 1 pcs		
--------------------	--	--	--



1

<b>GEV No.</b>	694589	<b>Ref. No.</b>	DL03001894 GHR1040-20 RW40.26
----------------	--------	-----------------	-------------------------------------

<b>description</b>	water container for fridge L 71mm W 58mm H 35mm plastic Qty 1 pcs		
--------------------	---	--	--

## for refrigerated counters

## housing and bezels



1

<b>GEV No.</b>	699318	<b>Ref. No.</b>	S901-4D.49
----------------	--------	-----------------	------------

<b>description</b>	support for refrigerated counters W 68mm H 364mm		
--------------------	--	--	--

## for freezer cabinets

## housing and bezels



1

<b>GEV No.</b>	692386	<b>Ref. No.</b>	GFR2600-26 GRE2600-35 RC600.35 RN600.26
----------------	--------	-----------------	--

<b>description</b>	front panel W 770mm H 52mm plastic Qty 1 pcs		
--------------------	--	--	--



for display coolers

housing and bezels

fascias



1

<b>GEV No.</b>	699319	<b>Ref. No.</b>	S901-4D.07
<b>description</b>	front panel for drawer W 428mm D 38mm H 255mm stainless steel		



1

<b>GEV No.</b>	699401	<b>Ref. No.</b>	S24AC21A0001
<b>description</b>	front panel mounting pos. front W 865mm D 15mm H 248mm		



1

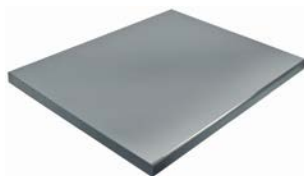
<b>GEV No.</b>	699407	<b>Ref. No.</b>	S24AC20A0005
<b>description</b>	sheet mounting pos. upper for door W 890mm D 115mm H 10mm		

lids



1

<b>GEV No.</b>	699403	<b>Ref. No.</b>	S24AC50A0003
<b>description</b>	top for display refrigerator W 910mm D 705mm H 125mm		



1

<b>GEV No.</b>	699404	<b>Ref. No.</b>	S24AC30A0003
<b>description</b>	top for display refrigerator W 910mm D 705mm H 55mm		

housings



1

<b>GEV No.</b>	699175	<b>Ref. No.</b>	P04AC21A0003
<b>description</b>	housing for control part W 200mm D 115mm H 95mm		



1

<b>GEV No.</b>	699323	<b>Ref. No.</b>	VRX1560.2
<b>description</b>	housing for switch W 114mm D 68mm H 100mm		

side parts



1

<b>GEV No.</b>	699324	<b>Ref. No.</b>	VRX38.12
<b>description</b>	side panel W 390mm D 40mm H 222mm		

miscellaneous



1

<b>GEV No.</b>	692380	<b>Ref. No.</b>	DL03001614 GHR1040-25 GHR2600-25 RW40.31
<b>description</b>	spacer for bottles L 30mm W 8mm H 17mm plastic Qty 1 pcs		

doors




1

<b>GEV No.</b>	699176	<b>Ref. No.</b>	S24AC22A0001-LEFT
<b>description</b>	door L 515mm W 425mm H 55mm mounting pos. left		


			
1			
<b>GEV No.</b>	699177	<b>Ref. No.</b>	S24AC22A0001-RIGHT
<b>description</b>	door L 515mm W 425mm H 55mm mounting pos. right		


			
1			
<b>GEV No.</b>	694541	<b>Ref. No.</b>	GHR1040-03 GHR2600-03 RW40.03
<b>description</b>	door W 395mm H 540mm		


			
1			
<b>GEV No.</b>	699405	<b>Ref. No.</b>	S24AC50A0004
<b>description</b>	shelf L 255mm W 890mm H 30mm stainless steel		

## for saladettes


## spare parts and accessories


			
1			
<b>GEV No.</b>	692740	<b>Ref. No.</b>	GDS1600-16 GPS1600-16 GSF1134-16 GSF1600-16 S900.16
<b>description</b>	cap for drain pipe $\varnothing$ 20mm mounting $\varnothing$ 15mm H 17.5mm plastic		

			
1			
<b>GEV No.</b>	692739	<b>Ref. No.</b>	GDS1600-15 GPS1600-15 GSF1134-15 GSF1600-15 S900.15
<b>description</b>	drain pipe ED $\varnothing$ 19mm ID $\varnothing$ 15mm H 79mm plastic thread M20		


			
1			
<b>GEV No.</b>	692742	<b>Ref. No.</b>	GDS1600-14 GPS1600-14 GSF1134-14 GSF1600-14 S900.14
<b>description</b>	nut for drain pipe thread M20 H 18mm WS 26 plastic		

## housing and bezels

			
1			
<b>GEV No.</b>	692343	<b>Ref. No.</b>	GSD1600-54 PS200.54
<b>description</b>	bridge for saladette L 182mm W 25mm H 13mm Qty 1 pcs		

			
1			
<b>GEV No.</b>	692259	<b>Ref. No.</b>	GPS1600-59
<b>description</b>	bridge for saladette mounting pos. inner L 182mm W 23mm H 12.5mm aluminium		




1

<b>GEV No.</b>	692260	<b>Ref. No.</b>	GPS1600-60
<b>description</b>	bridge for saladette mounting pos. outer L 207mm W 35mm H 41mm aluminium Qty 2 pcs		




1

<b>GEV No.</b>	692692	<b>Ref. No.</b>	KITSR4AC2A00
<b>description</b>	bridge L 168/330/534mm 6 pieces		



1

<b>GEV No.</b>	692691	<b>Ref. No.</b>	KITSR4AC4A00
<b>description</b>	bridge set 2-piece for saladette W 25mm D 184mm H 11mm		




1

<b>GEV No.</b>	993263	<b>Ref. No.</b>	P04AC20A0006
<b>description</b>	cutting board L 950mm W 130mm H 20mm		



1

<b>GEV No.</b>	692257	<b>Ref. No.</b>	GHS1600 GLASS FIXING KIT VRX.01 VRX.02 VRX.04 VRX.05 VRX.06 VRX33-38
<b>description</b>	mounting set for glass plate for saladette 53-piece Qty 1 pcs 6x mounting clip 7x angle 12x flat-headed bolt 14x bush 14x screw connection		



1

<b>GEV No.</b>	692371	<b>Ref. No.</b>	GSA1134-25 GSA1600-25 S900.25
<b>description</b>	plug mounting ø 5.5mm ø 10mm H 13mm plastic Qty 1 pcs		

doors



1

<b>GEV No.</b>	699325	<b>Ref. No.</b>	GSF1600-49 S900.54
<b>description</b>	door mounting pos. left W 427mm H 520mm D 36mm		



1

<b>GEV No.</b>	699321	<b>Ref. No.</b>	GSF1600-07 S900.07
<b>description</b>	door mounting pos. right W 427mm H 520mm D 36mm		



1

<b>GEV No.</b>	701546	<b>Ref. No.</b>	S24AC22A0006
<b>description</b>	door bolt L 28mm mounting pos. upper thread L 8mm		

## hinges

### spring assisted hinges

#### producer-specific

#### RWA



1

<b>GEV No.</b>	701124	<b>Ref. No.</b>	GPS1134-06 GPS1134-6 GPS1600-06 GPS1600-6 GSF1134-06 GSF1134-6 GSF1600-06 GSF1600-6
<b>description</b>	spring assisted hinge mounting pos. 22x22 left/right L 76mm W 25mm H 101mm A 11mm B 15mm intake 7.5x7.5 refrigeration units mounting distance 25.4mm		



1

<b>GEV No.</b>	701586	<b>Ref. No.</b>	GN2100TN.04 Z04AA02A0007
<b>description</b>	spring assisted hinge mounting pos. left/right L 74.5mm W 25mm H 102mm mounting measurements 8x8mm refrigeration units mounting distance 25mm		



1

<b>GEV No.</b>	701318	<b>Ref. No.</b>	Z01AA02A0007
<b>description</b>	spring assisted hinge mounting pos. left/right L 75mm W 25mm H 100mm A 11mm B 15mm intake 7.5x7.5 refrigeration units mounting distance 25.4mm		



1

<b>GEV No.</b>	701145	<b>Ref. No.</b>	GFR2600-28 GRE2600-39 RC400.25 RC600.39 RN400.28 RN600.28 Z01AE62A0006
<b>description</b>	spring assisted hinge mounting pos. upper L 65mm W 23mm mounting distance 21mm		

### door bearing



1

<b>GEV No.</b>	701256	<b>Ref. No.</b>	GSA1134-28 GSA1600-28 S900.28
<b>description</b>	bolt L 17mm mounting pos. left/right thread M4 ø 7mm for hinge Qty 1 pcs		




1


<b>GEV No.</b>	701275	<b>Ref. No.</b>	DL02201204 GRE2600-24 RC400.37 RC600.24 RN400.35 Z01AE62A0005
<b>description</b>	bolt L 19mm mounting pos. lower thread M6 ø 7mm for door hinge Qty 1 pcs		





1


<b>GEV No.</b>	701257	<b>Ref. No.</b>	GN2100TN.05 GPS1134-09 GPS1134-9 GPS1600-09 GPS1600-9 GSA1134-09 GSA1134-9 GSA1600-09 GSA1600-9 S900.06
<b>description</b>	bolt L 25mm mounting pos. upper thread M5 ø 7mm complete for door hinge Qty 1 pcs		


 <p>1</p>			
<b>GEV No.</b>	701276	<b>Ref. No.</b>	GSF1134-09 GSF1134-9 GSF1600-09 GSF1600-9
<b>description</b>	bolt L 31mm mounting pos. upper thread M8 ø 5/7mm for door hinge Qty 1 pcs		


 <p>1</p>			
<b>GEV No.</b>	701260	<b>Ref. No.</b>	GHR1040-08 GHR2600-08 RW40.14
<b>description</b>	hinge L 114mm W 50mm H 29mm mounting pos. left/right bottom bolt 16mm shaft ø 7mm Qty 1 pcs		


 <p>1</p>			
<b>GEV No.</b>	701264	<b>Ref. No.</b>	GFR2600-16 RN600.16
<b>description</b>	bolt L 32mm mounting pos. lower thread M6 ø 7mm for door hinge Qty 1 pcs		


 <p>1</p>			
<b>GEV No.</b>	692258	<b>Ref. No.</b>	GPS1134-50 GPS1600-50 GSA1134-50 GSA1600-50 GSF1134-50 GSF1600-50 S900.55
<b>description</b>	hinge L 30mm W 30mm H 45mm mounting pos. bottom left thickness 3mm		


 <p>1</p>			
<b>GEV No.</b>	701265	<b>Ref. No.</b>	GFR2600-19 GRE2600-27 N01AE62A0009 RC400.35 RC600.27 RN400.33 RN600.19
<b>description</b>	bush H 12mm mounting pos. lower ø 19mm ID ø 14.5mm plastic for door hinge Qty 1 pcs		

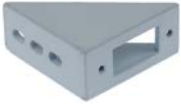
 <p>1</p>			
<b>GEV No.</b>	692374	<b>Ref. No.</b>	GPS1134-05 GPS1134-5 GPS1600-05 GPS1600-5 GSA1134-05 GSA1134-5 GSA1600-05 GSA1600-5 GSF1134-05 GSF1600-05 GSF1600-5 S900.05
<b>description</b>	hinge L 30mm W 30mm H 45mm mounting pos. bottom right thickness 3mm Qty 1 pcs		


 <p>1</p>			
<b>GEV No.</b>	701263	<b>Ref. No.</b>	GFR2600-17 GRE2600-26 RC400.36 RC600.26 RN400.34 RN600.17 Z01AE62A0012
<b>description</b>	bush H 18mm mounting pos. lower ø 14mm ID ø 7.2mm for door hinge Qty 1 pcs		


 <p>1</p>			
<b>GEV No.</b>	692375	<b>Ref. No.</b>	GSA1134-19.1 GSA1600-19.1 S900.19.1
<b>description</b>	hinge L 40mm W 43mm mounting pos. left/right for lid Qty 1 pcs		


 <p>1</p>			
<b>GEV No.</b>	692379	<b>Ref. No.</b>	GN2100TM.04 GPS1134-51 GPS1600-51 GSA1134-51 GSA1600-51 GSF1134-51 GSF1600-51
<b>description</b>	bush L 23mm ø 9.8mm ID ø 7.3mm grey Qty 1 pcs		


			
1			
<b>GEV No.</b>	692690	<b>Ref. No.</b>	S24AC22A0003
<b>description</b>	hinge L 40mm W 70mm H 22mm mounting distance 2 20mm		


			
1			
<b>GEV No.</b>	701144	<b>Ref. No.</b>	A01AE62A0003 GFR2600-12 GRE2600-20 RC400.16 RC600.20 RN400.17 RN600.12
<b>description</b>	hinge L 59mm W 27mm H 59mm mounting pos. bottom left		


			
1			
<b>GEV No.</b>	701143	<b>Ref. No.</b>	GFR2600-15 GRE2600-22 RC600.22 RN400.19 RN600.15
<b>description</b>	hinge L 59mm W 27mm H 59mm mounting pos. bottom right Qty 1 pcs		


			
1			
<b>GEV No.</b>	701258	<b>Ref. No.</b>	GHR1040-06 GHR2600-06 RW40.12
<b>description</b>	hinge L 85mm W 13mm H 20mm mounting pos. upper left Qty 1 pcs		

			
1			
<b>GEV No.</b>	701261	<b>Ref. No.</b>	GHR1040-07 GHR2600-07 RW40.13
<b>description</b>	hinge L 85mm W 13mm H 20mm mounting pos. upper right Qty 1 pcs		

			
1			
<b>GEV No.</b>	698883	<b>Ref. No.</b>	Z01AA02A0004
<b>description</b>	hinge bearing L 180mm W 98mm mounting pos. lower Qty 1 pcs		


			
1			
<b>GEV No.</b>	698884	<b>Ref. No.</b>	S21AA02A0002
<b>description</b>	hinge bearing L 55mm W 35mm H 80mm mounting pos. left thickness 3mm without bolt		

			
1			
<b>GEV No.</b>	698885	<b>Ref. No.</b>	S21AA02A0003
<b>description</b>	hinge bearing L 55mm W 35mm H 80mm mounting pos. right thickness 3mm without bolt		

			
1			
<b>GEV No.</b>	699179	<b>Ref. No.</b>	P01AA02A0008 RC700-15 RN700-15
<b>description</b>	hinge camp L 78mm W 28mm H 22mm mounting distance 27mm mounting pos. bottom right thickness 3mm		

accessories

base plate

			
1			
<b>GEV No.</b>	701266	<b>Ref. No.</b>	GFR2600-34 GRE2600-42 RC400.34 RC600.42 RN400.32 RN600.34 Z01AE62A0010
<b>description</b>	base plate L 88mm W 35mm thickness 3mm for door hinge mounting pos. lower Qty 1 pcs		



## pullouts

### rollers

#### rollers



<b>GEV No.</b>	692376	<b>Ref. No.</b>	GSA1134-24 GSA1600-24 S900.24
<b>description</b>	roller rollerø 12mm overall width 5mm A 12mm B 5mm plastic with screw connection bore ø 5.4mm thread M4 thread L 5.5mm Qty 1 pcs		

#### roller with holder



<b>GEV No.</b>	692385	<b>Ref. No.</b>	GFR2600-11 GRE2600-23 RC600.23 RN600.11
<b>description</b>	roller rollerø 21mm B1 7mm with holder SS/plastic mounting pos. lower bearing ball bearing Qty 1 pcs L 52mm mounting distance 41mm		

## equipment feet and end caps

### equipment feet

#### with fixing plate



<b>GEV No.</b>	701499	<b>Ref. No.</b>	KITFT1AA0A00
<b>description</b>	equipment feet kit tube ø 64mm plate size 85x85mm hole distance 56x56 up to 65x65mm H 120-185mm SS Qty 4 pcs		

#### screw-in feet



<b>GEV No.</b>	700972	<b>Ref. No.</b>	GDS1134-13 GDS1600-13 GSA1134-13 GSA1600-13 GSD1600-13 S900.13
<b>description</b>	equipment foot thread M10 thread L 16mm ø 29mm H 11.5mm Qty 1 pcs for fridge		

<b>GEV No.</b>	701262	<b>Ref. No.</b>	GFR2600-13 GRE2600-19 RC600.19 RN600.13
<b>description</b>	equipment foot thread M10 thread L 40mm ø 36mm H 15.5mm Qty 1 pcs		

<b>GEV No.</b>	701324	<b>Ref. No.</b>	GSF1600-13
<b>description</b>	equipment foot thread M8 thread L 22mm ø 35mm H 29mm Qty 1 pcs L 41mm		

<b>GEV No.</b>	701259	<b>Ref. No.</b>	GHR1040-35 GHR2600-35 RW40.42
<b>description</b>	equipment foot thread M8 thread L 31mm ø 30mm H 12mm Qty 1 pcs		

### bolting feet

<b>GEV No.</b>	701270	<b>Ref. No.</b>	DL04001696 GHR1040-09 RW40.15
<b>description</b>	equipment foot ø 20mm H 12mm plastic bore ø 5mm Qty 1 pcs GHR1040		

### end caps and plugs

#### housing plugs

<b>GEV No.</b>	692371	<b>Ref. No.</b>	GSA1134-25 GSA1600-25 S900.25
<b>description</b>	plug mounting ø 5.5mm ø 10mm H 13mm plastic Qty 1 pcs		

## TENTE

with fixing plate

chrome-plated steel



1

<b>GEV No.</b>	710026	<b>Ref. No.</b>	KITCS1AA0A00
<b>description</b>	swivel castor set ø 100mm threaded housing chrome-plated steel plate size 76x96mm hole distance 60mm bearing slide bearing wheel body polypropylene H 135mm wheel width 32mm set		

## miscellaneous

diverse sets



1

<b>GEV No.</b>	710027	<b>Ref. No.</b>	KITFT1AE06A0002 RC400.14 RC400.14+RC400.15 RN400.15 RN400.15+RN400.16
<b>description</b>	castor set with 2 feet ø 21.5mm threaded plate size 40x58mm hole distance 24/42mm wheel body plastic wheel width 33mm		

## shelves and shelf rails

## grates

universal

with upstand



1

<b>GEV No.</b>	750368	<b>Ref. No.</b>	GSD1600-11 I04AA09A0001 S900.11
<b>description</b>	grate W 320mm D 560mm plastic-coated steel wire gauge frame 7.5mm lengthwise wires gauge 3.5mm crossing wires 2 grey		



1

<b>GEV No.</b>	970925	<b>Ref. No.</b>	S14AC29A0001
<b>description</b>	grate W 325mm D 570mm GN 1/1 H 55mm plastic-coated steel wire gauge frame 7.5mm lengthwise wires gauge 4mm crossing wires 3 grey		



1

<b>GEV No.</b>	970926	<b>Ref. No.</b>	I01AE09A0001 RC400.31
<b>description</b>	grate W 500mm D 400mm H 47mm plastic-coated steel wire gauge frame 8mm lengthwise wires gauge 4.5mm crossing wires 1 white		



1

<b>GEV No.</b>	970791	<b>Ref. No.</b>	DL60001450 GRE2600-28 RC600.28
<b>description</b>	grate W 650mm D 530mm GN 2/1 H 10mm plastic-coated steel upper wire gauge frame 8mm lengthwise wires gauge 4mm crossing wires 3 white		



1

<b>GEV No.</b>	970909	<b>Ref. No.</b>	I01AA09A0002
<b>description</b>	grate W 650mm D 530mm GN 2/1 H 43mm plastic-coated steel wire gauge frame 7mm lengthwise wires gauge 4mm crossing wires 3 grey		


## producer-specific





1

<b>GEV No.</b>	971150	<b>Ref. No.</b>	DL60001665 GRE2600-09 RC600.09
<b>description</b>	chargrill grid W 693mm D 303mm H 6mm plastic-coated steel lengthwise wires gauge 4mm crossing wires 4 white		




1 			
<b>GEV No.</b>	970792	<b>Ref. No.</b>	DL60001129 GRE2600-25 RC600.25
<b>description</b>	grate W 185mm D 640mm plastic-coated steel lower wire gauge frame 7mm lengthwise wires gauge 3.5mm white		


1 			
<b>GEV No.</b>	970927	<b>Ref. No.</b>	I01AE09A0002 RC400.32
<b>description</b>	grate W 500mm D 200mm H 25mm plastic-coated steel wire gauge frame 8mm lengthwise wires gauge 4mm crossing wires 1 white		


1 			
<b>GEV No.</b>	971149	<b>Ref. No.</b>	GFR2600-05 I01AF09A0001 RN600.05
<b>description</b>	grate W 715mm H 55mm plastic-coated steel L 365mm lengthwise wires gauge 4mm crossing wires 4 white		

## shelf rails and supports

### producer-specific


1 			
<b>GEV No.</b>	698882	<b>Ref. No.</b>	S21AA09A0001
<b>description</b>	guide L 1240mm W 35mm inner height 30mm hook width 16.5mm mounting pos. left/right		


1 			
<b>GEV No.</b>	701585	<b>Ref. No.</b>	GPS1600-12 GSF1600-12 S900.12
<b>description</b>	pair of setting bar L 245mm W 29mm H 15mm		


1 			
<b>GEV No.</b>	701500	<b>Ref. No.</b>	KITGD1AA0A00 KITGDIAA0A00
<b>description</b>	pair of setting bar L 670mm W 15mm H 20mm mounting pos. left/right pair		

1 			
<b>GEV No.</b>	696443	<b>Ref. No.</b>	GPS1134-10 GPS1600-10 GSA1134-10 GSA1600-10 GSF1134-10 GSF1600-10 KITGD4AC2A00 S900.10.1
<b>description</b>	pair of setting bar U-shape L 548mm W 20mm inner height 13mm mounting pos. left/right		

1 			
<b>GEV No.</b>	696388	<b>Ref. No.</b>	GN2100TN.31 S900.10
<b>description</b>	pair of setting bar U-shape L 550mm W 20mm H 17mm mounting pos. left/right		


1 			
<b>GEV No.</b>	701269	<b>Ref. No.</b>	RC600.29
<b>description</b>	rack L 1172mm W 22mm aluminium hole distance 13mm Qty 1 pcs aperture 3x8mm		

1 			
<b>GEV No.</b>	701550	<b>Ref. No.</b>	S24AC29A0002
<b>description</b>	rack L 244mm W 50mm H 8mm mounting pos. front		




1

<b>GEV No.</b>	701551	<b>Ref. No.</b>	S24SC29A0003
<b>description</b>	rack L 244mm W 50mm H 8mm mounting pos. rear		




1

<b>GEV No.</b>	701548	<b>Ref. No.</b>	GSF1600-48 S24AC29A0004 S900.50
<b>description</b>	rack L 245mm W 40mm H 30mm mounting pos. left		



1

<b>GEV No.</b>	701549	<b>Ref. No.</b>	GPS1600-18 GSF1600-18 S24AC29A0005 S900.18
<b>description</b>	rack L 245mm W 40mm H 30mm mounting pos. right		



1

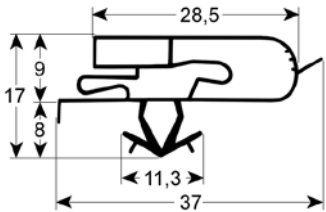
<b>GEV No.</b>	692387	<b>Ref. No.</b>	GRE2600-32 RC600.32
<b>description</b>	shelf support L 31/28mm W 22mm H 19mm Qty 1 pcs		

## gaskets

### refrigeration gaskets

#### plug-in gaskets

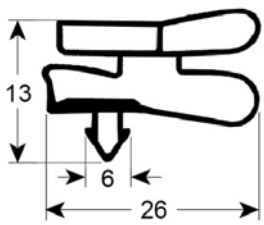
#### profile 9146



1

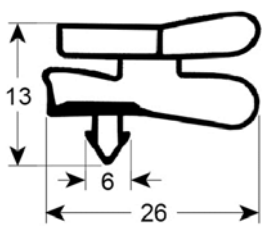
<b>GEV No.</b>	902133	<b>Ref. No.</b>	R01AA02A0005
<b>description</b>	refrigeration gasket profile 9146 W 630mm L 1500mm plug size		

#### profile 9149



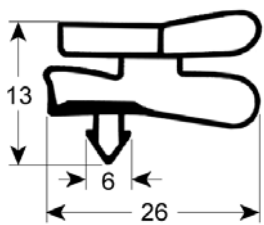
1

<b>GEV No.</b>	902216	<b>Ref. No.</b>	R04AC22A0002
<b>description</b>	refrigeration gasket profile 9149 W 385mm L 480mm plug size		



1

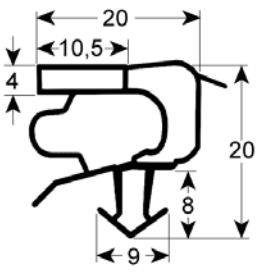
<b>GEV No.</b>	902215	<b>Ref. No.</b>	R01AE02A0002 RC400.29 RN400.30
<b>description</b>	refrigeration gasket profile 9149 W 555mm L 1680mm plug size		



1

<b>GEV No.</b>	901524	<b>Ref. No.</b>	GFR2600-29 GRE2600-40 R01AE62A0002 RC600.40 RN600.29
<b>description</b>	refrigeration gasket profile 9149 W 720mm L 1710mm plug size		

#### profile 9152



1

<b>GEV No.</b>	902421	<b>Ref. No.</b>	S901-4D.08
<b>description</b>	refrigeration gasket profile 9152 W 225mm L 390mm plug size		





<b>GEV No.</b>	901486	<b>Ref. No.</b>	GPS1134-08 GPS1600-08 GSA1134-08 GSA1600-08 GSF1134-08 GSF1600-08 R04AA02A0004 S900.08
<b>description</b>	refrigeration gasket profile 9152 W 390mm L 485mm plug size		

### screw-in gaskets

#### profile 9135

<b>GEV No.</b>	901520	<b>Ref. No.</b>	GHR1040-02 GHR2600-02 RW40.02
<b>description</b>	refrigeration gasket profile 9135 W 380mm L 520mm external size Qty 1		

## refrigeration cycle components

### valves

#### Schrader valves

#### Schrader valves (complete)

<b>GEV No.</b>	750636	<b>Ref. No.</b>	C01AA06A0003 GDS1600-36 GDS1600-42 GPS1134-36 GPS1134-42 GPS1600-36 GPS1600-42 GSF1600-36 GSF1600-42 S900.36 S900.42
<b>description</b>	Schrader valve complete connection 1/4"SAE ø 6mm L 120mm		

### filter driers

#### miscellaneous

<b>GEV No.</b>	750378	<b>Ref. No.</b>	C01AE66A0001 C04AC26A0001 GFR2600-04 GRE2600-03 RC400.12 RC600.03 RN400.07 RN600.04
<b>description</b>	dryer ø 19mm L 145mm connection 4,5/8mm type XH9 Qty 1 pcs		

<b>GEV No.</b>	750641	<b>Ref. No.</b>	C01AA06A0001
<b>description</b>	dryer ø 29mm L 120.5mm connection 8/8mm Qty 1 pcs		

<b>GEV No.</b>	750324	<b>Ref. No.</b>	GDS1134-44 GDS1600-44 GHS1600-10 GPS1600-44 GSA1134-44 GSA1600-44 GSF1600-44 S900.44
<b>description</b>	dryer size 20g ø 23mm L 117mm connection 4,8/8,3mm		

<b>GEV No.</b>	750635	<b>Ref. No.</b>	C01AA06A0006
<b>description</b>	dryer ø 58mm L 120mm connection 1/4" ODF type SDCL-0325 Qty 1 pcs		

refrigeration pipes

capillary pipes



1	<b>GEV No.</b>	694914	<b>Ref. No.</b>	C01AA06A0002
	<b>description</b>	capillary pipe L 2790mm ED ø 1.4mm Qty 1		

copper pipes uninsulated



1	<b>GEV No.</b>	694931	<b>Ref. No.</b>	GPS1600-43 GSF1600-43 S900.43 VRX.15
	<b>description</b>	capillary pipe ID ø 0.8mm ED ø 2mm L 2340m		

copper pipes insulated



1	<b>GEV No.</b>	694913	<b>Ref. No.</b>	C01AA06A0004
	<b>description</b>	copper pipe with insulation thickness 8mm insulation thickness 4mm L 1060mm Qty 1		



1	<b>GEV No.</b>	699322	<b>Ref. No.</b>	GPS1600-39 GSF1600-39 S900.39
	<b>description</b>	refrigeration pipe pipe ø 6 insulation thickness 8mm L 525mm		

insulation



1	<b>GEV No.</b>	694930	<b>Ref. No.</b>	RC600.10
	<b>description</b>	insulating hose thickness 8mm model 3/8"x5/8" refrigeration ID ø 20mm		

heating tubes



1	<b>GEV No.</b>	701501	<b>Ref. No.</b>	C01AA06A0005
	<b>description</b>	heater ED ø 6.5mm ID ø 4.5mm L 210mm Qty 1		



1	<b>GEV No.</b>	701556	<b>Ref. No.</b>	C01AA46A0005
	<b>description</b>	heater ED ø 6.5mm ID ø 5mm L 200mm		



1

<b>GEV No.</b>	701583	<b>Ref. No.</b>	C04AC26A0002
<b>description</b>	heater ED ø 6mm ID ø 3mm L 260mm copper		



1

<b>GEV No.</b>	701584	<b>Ref. No.</b>	RC600.07 RC600.15
<b>description</b>	heater ED ø 6mm ID ø 5mm L 330mm copper		



1

<b>GEV No.</b>	699400	<b>Ref. No.</b>	C01AE06A0001 RC400.10
<b>description</b>	heater mounting pos. lower ø 6mm L 300mm W 155mm H 170mm		

## evaporators

### for fridges

#### producer-specific



1

<b>GEV No.</b>	750640	<b>Ref. No.</b>	C01AA48A0001
<b>description</b>	condenser L 245mm W 255mm D 160mm overall height 290mm		



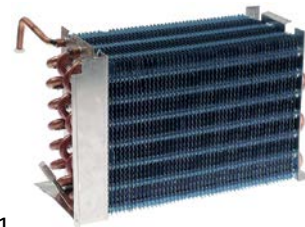
1

<b>GEV No.</b>	750367	<b>Ref. No.</b>	DL52101004 GFR2600-31 I01AF07A0001 RN600.31
<b>description</b>	evaporator for deep freezer GFR2600 L 600mm W 450mm H 1200mm		




1

<b>GEV No.</b>	750361	<b>Ref. No.</b>	GRE2600-04 RC600.04
<b>description</b>	evaporator for fridge L 1000mm W 471mm		



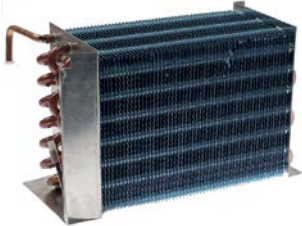
1

<b>GEV No.</b>	750638	<b>Ref. No.</b>	C01AA07A0001
<b>description</b>	evaporator L 245mm W 135mm H 190mm total length 310mm overall width 230mm overall height 190mm RC 700 series		



1


<b>GEV No.</b>	750637	<b>Ref. No.</b>	C01AA08A0001
<b>description</b>	evaporator L 257mm W 255mm H 122mm overall width 260mm mounting distance 1 187mm		



1

<b>GEV No.</b>	750639	<b>Ref. No.</b>	C01AA47A0001
<b>description</b>	evaporator L 305mm W 185mm H 135mm total length 290mm		

for display coolers




1

<b>GEV No.</b>	750690	<b>Ref. No.</b>	I01AE47A0001 RN400.02
<b>description</b>	evaporator W 430mm D 415mm H 1210mm		


accessories

miscellaneous



1


<b>GEV No.</b>	699408	<b>Ref. No.</b>	P01AE60A0006 RC400.24
<b>description</b>	clip for evaporator ø 31.5mm		



1


<b>GEV No.</b>	701268	<b>Ref. No.</b>	A01AF07A0002 GFR2600-32 RN400.23 RN600.32
<b>description</b>	U profile for evaporator L 635mm W 16mm H 13mm aluminium Qty 1 pcs		

condensors filters



1

<b>GEV No.</b>	694587	<b>Ref. No.</b>	GDS1134-04 GDS1134-4 GDS1600-04 GDS1600-4 GPS1600-04 GPS1600-4 GSA1134-04 GSA1134-4 GSA1600-04 GSA1600-4 GSD1600-04 GSD1600-4 GSF1600-04 GSF1600-4 S900.04
<b>description</b>	air filter for condenser L 218mm W 194mm thickness 6mm Qty 1 pcs		

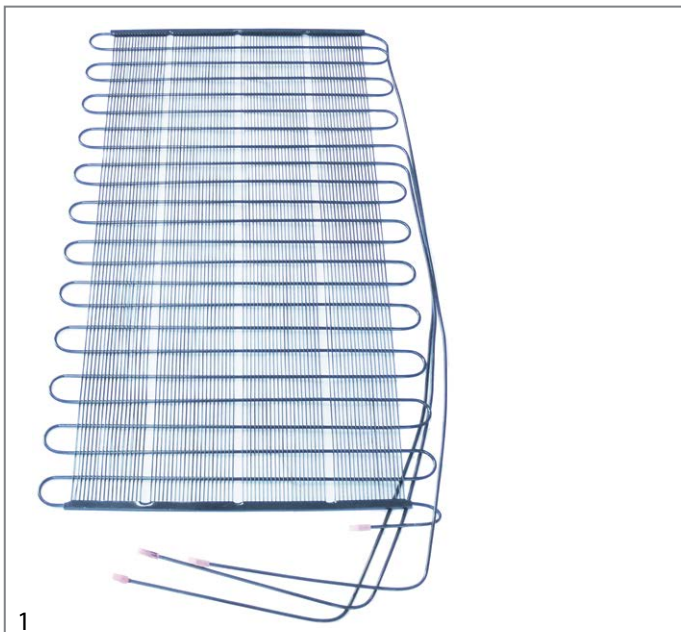


1

<b>GEV No.</b>	699402	<b>Ref. No.</b>	P04AC28A0002
<b>description</b>	filter for condenser L 218mm W 230mm thickness 6mm Qty 1 pcs		

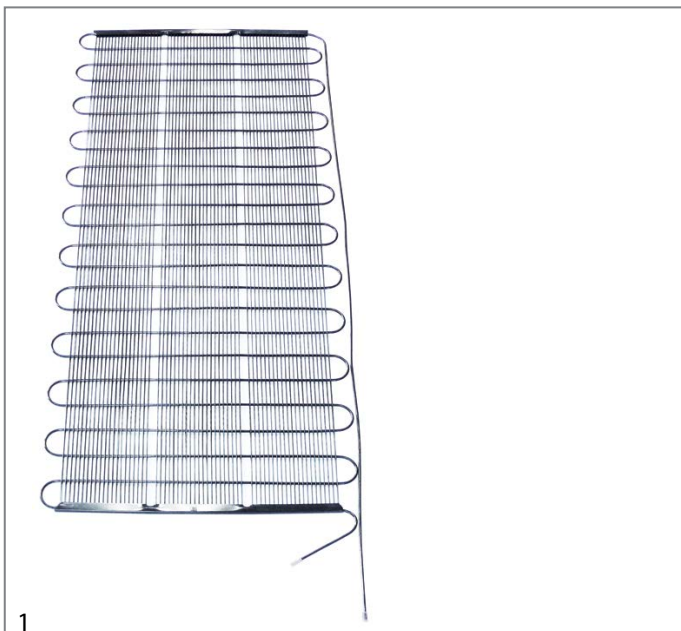


condensers



1

<b>GEV No.</b>	750379	<b>Ref. No.</b>	DL52101157 GFR2600-03 RN600.03
<b>description</b>	condenser for deep freezer W 640mm H 1165mm Qty 1 pcs		



1

<b>GEV No.</b>	750360	<b>Ref. No.</b>	GRE2600-05 RC600.05
<b>description</b>	condenser for fridge W 500mm H 1170mm Qty 1 pcs		



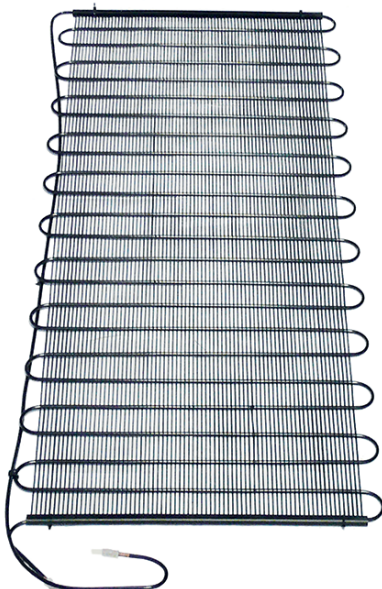
1

<b>GEV No.</b>	750319	<b>Ref. No.</b>	GHS1600-11 VRX.11
<b>description</b>	condenser for pizza table W 228mm D 77mm H 179mm		



1

<b>GEV No.</b>	750347	<b>Ref. No.</b>	C04AC28A0001 GDS1134-35 GDS1600-35 GPS1600-35 GSA1134-35 GSA1600-35 GSD1600-35 GSF1600-35 S900.35
<b>description</b>	condenser W 220mm D 100mm H 230mm L 270mm		




1

<b>GEV No.</b>	750689	<b>Ref. No.</b>	I01AE48A0001 RC400.03 RN400.03
<b>description</b>	condenser W 550mm D 7mm H 1170mm Qty 1 pcs		


## evaporation and condensing trays

### evaporation trays




1

<b>GEV No.</b>	750696	<b>Ref. No.</b>	P01AA03A0010
<b>description</b>	drip tray L 298mm W 118mm H 22mm		



1

<b>GEV No.</b>	750695	<b>Ref. No.</b>	S21AA43A0006
<b>description</b>	evaporation tray L 312mm W 244mm H 13mm		




1

<b>GEV No.</b>	750380	<b>Ref. No.</b>	DL18801673 GRE2600-06 RC400.11 RC600.06
<b>description</b>	evaporation tray unheated L 205mm W 155mm H 78mm for deep freezer Qty 1 pcs		

## kitchen accessories


### gastronorm

#### bridges




1

<b>GEV No.</b>	692377	<b>Ref. No.</b>	GSA1134-20 GSA1600-20 S900.20
<b>description</b>	bridge for Gastronorm container L1 180mm L2 200mm SS W 38mm H 12.5mm Qty 1 pcs thickness 0.6mm		



1

<b>GEV No.</b>	692378	<b>Ref. No.</b>	GSA1134-21 GSA1600-21 S900.21
<b>description</b>	bridge for Gastronorm container L1 325mm L2 295mm SS W 23mm H 14mm Qty 1 pcs thickness 0.9mm		



1


<b>GEV No.</b>	692262	<b>Ref. No.</b>	GSA1134-22 GSA1600-22 S900.22
<b>description</b>	bridge for Gastronorm container L1 530mm L2 550mm SS W 23mm H 14mm Qty 1 pcs thickness 0.7mm		

## hoses

### industrial hoses

#### PVC hoses

#### PVC hoses without fabric



1

<b>GEV No.</b>	520637	<b>Ref. No.</b>	GHR1040-28 GHR2600-28 RW40.34
<b>description</b>	PVC hose ID ø 6mm ED ø 9mm L 0.4m thickness 1.5mm t.max. 60°C transparent		



## fastening material

### screws

#### flat-headed bolts



1

<b>GEV No.</b>	560504	<b>Ref. No.</b>	DL00003005(100STK) GHR1040-05(100STK) RW40.11(100STK)
<b>description</b>	flat-headed bolt thread M5 thread L 16mm DIN 7985 Qty 100 pcs intake Phillips head ø 8mm		



1

<b>GEV No.</b>	560281	<b>Ref. No.</b>	DL00003005 GHR1040-05 RW40.11
<b>description</b>	flat-headed bolt thread M5 thread L 16mm SS DIN 7985/ISO 7045 Qty 1 pcs intake Phillips head ø 10mm head thickness 2mm		

### nuts

#### hexagonal nuts

#### hexagonal nuts metric (without norm)



1

<b>GEV No.</b>	692742	<b>Ref. No.</b>	GDS1600-14 GPS1600-14 GSF1134-14 GSF1600-14 S900.14
<b>description</b>	nut for drain pipe thread M20 H 18mm WS 26 plastic		





<b>A</b>			
axial fans		8	
<b>B</b>			
bi-metal thermostats		3, 3	
<b>C</b>			
cables		10	
capillary pipes		26	
castors and bumper angles		22	
compressors		6	
condensators & interference suppression filters		10	
cooling aggregates		6	
copper pipes insulated		26	
copper pipes uninsulated		26	
cross flow fans		10	
<b>E</b>			
electric accessories		10	
electronic controllers		5	
end caps and plugs		21	
evaporators		27	
<b>F</b>			
fans		8	
fastening material		31	
filter driers		25	
flat-headed bolts		31	
fridge lamps		4	
<b>G</b>			
gastronorm		30	
grates		22	
group 1		26	
group 4		25	
<b>H</b>			
heating cables		3	
heating elements		3	
heating elements for defrosting		3	
heating elements for refrigeration		3	
hexagonal nuts		31	
hoses		30	
<b>I</b>			
industrial hoses		30	
insulation		26	
<b>L</b>			
lamps		4	
LED		4	
<b>M</b>			
microswitches		4	
<b>N</b>			
nuts		31	
<b>P</b>			
plug-in gaskets		24	
power supply cables		10	
probes		6	
push/momentary push switches		4	
PVC hoses		30	
<b>R</b>			
refrigeration cycle components		25	
refrigeration fans		9	
refrigeration gaskets		24	
refrigeration motors universal		9	
refrigeration pipes		26	
rocker/momentary rocker switches		3	
<b>S</b>			
Schrader valves		25	
screw-in gaskets		25	
screws		31	
shelves and shelf rails		22	
spring assisted hinges		18	
starting capacitors		10	
switches and momentary switches		3	
<b>T</b>			
temperature probes		6	
terminal boxes		11	
thermostats		3	
transformers		5	
<b>U</b>			
universal probes		6	