



GAS COMPONENTS



ELECTRIC COMPONENTS



WATER TECHNOLOGY



MECHANICAL COMPONENTS



TOOLS

Spare parts suitable for

RIEBER

Find the complete and up-to-date range of products in our GEV Webshop



Manufacturer catalogue

The most important spare parts and accessories arranged clearly for every manufacturer

- ✓ Complete product range and all appliance data always up to date in the GEV Webshop
- ✓ Alphabetical Index at the end of the catalogue

GEV Webshop

www.gev-online.co.uk

www.gev-online.com

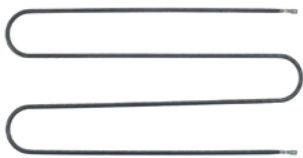


- 🔍 Add to Favourites
- 🔍 Sign In with email address and usual password
- 🔍 Easy-order – place several items in your basket at the same time
- 🔍 Quick Item search – no login needed




heating elements

heating elements for bain maries



1


GEV No.	420471	Ref. No.	33010111
description	heating element 833W 240V heating circuits 1 L 410mm L1 375mm W 180mm connection male faston 6.3mm connection distance 174mm tube ø 6.3mm		



1

GEV No.	415545	Ref. No.	33010111 old
description	heating element 855W 240V heating circuits 1 L 380mm L1 410mm W 204mm connection male faston 6.3mm connection distance 196mm tube ø 6.5mm dry heating element		

heating elements for plate warmers




1

GEV No.	418271	Ref. No.	33010123
description	heating element 1250W 120V L 1050mm H 580mm heating circuits 1 connection male faston 6.3mm L1 70mm L2 440mm dry heating element tube ø 8.7mm plate dispenser		



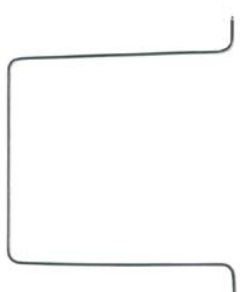
1

GEV No.	418272	Ref. No.	33010121
description	heating element 550W 230V H 50mm heating circuits 1 connection male faston 6.3mm L1 40mm L2 40mm dry heating element tube ø 8.5mm ED ø 138mm		



1


GEV No.	415244	Ref. No.	33010109
description	heating element 750W 120V L 278mm H 580mm heating circuits 1 connection male faston 6.3mm L1 70mm L2 138mm dry heating element tube ø 8.5mm		



1


GEV No.	415247	Ref. No.	33010110 59050102
description	heating element 800W 120V thread L 668mm W 580mm heating circuits 1 connection male faston 6.3mm L1 70mm L2 528mm dry heating element tube ø 8.5mm		

heating elements for transport containers




1


GEV No.	420486	Ref. No.	9903354
description	heating element 1400W 230V 50/60Hz L 600mm W 250mm H 10mm connection cable 1250mm		





1

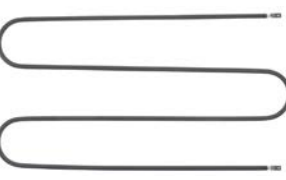
GEV No.	418297	Ref. No.	33010101
description	heating element 175W 230V L 290mm W 244mm H 58mm connection male faston 6.3mm dry heating element L1 80mm L2 210mm W1 107mm W2 29mm special fixing tube ø 8.5mm heating circuits 1 flange ø 90mm		


			
1			
GEV No.	415203	Ref. No.	33010102
description	heating element 180W 230V L 304mm W 39mm H 31mm connection male faston 6.3mm dry heating element tube ø 8.5mm heating circuits 1 connection distance 31mm		


			
1			
GEV No.	418290	Ref. No.	33010125
description	heating element 180W 240V L 367mm W 165mm connection male faston 6.3mm dry heating element tube ø 8.5mm heating circuits 1 connection distance 158mm		


			
1			
GEV No.	418298	Ref. No.	33010106
description	heating element 416W 240V L 290mm W 250mm H 58mm connection male faston 6.3mm dry heating element special fixing tube ø 8.5mm heating circuits 1 flange ø 90mm hole distance 80mm hole ø 4mm		


			
1			
GEV No.	415245	Ref. No.	33010104 33030304
description	heating element 416W 240V L 417mm W 202mm connection male faston 6.3mm dry heating element tube ø 6.3mm heating circuits 1 connection distance 195mm		

			
1			
GEV No.	420441	Ref. No.	33010170
description	heating element 470W 230V L 390mm W 205mm connection male faston 6.3mm		


			
1			
GEV No.	418291	Ref. No.	33010107
description	heating element 500W 230V L 315mm W 38mm H 20mm connection male faston 6.3mm dry heating element tube ø 8.8mm heating circuits 1 connection length 20mm connection distance 29mm		

			
1			
GEV No.	418289	Ref. No.	33010128
description	heating element 590W 230V L 365mm W 170mm connection male faston 6.3mm dry heating element tube ø 8.5mm heating circuits 1 connection distance 162mm		


			
1			
GEV No.	418299	Ref. No.	33010144
description	heating element 600W 240V L 290mm W 240mm H 61mm dry heating element L1 67mm L2 143mm W1 105mm W2 30mm special fixing tube ø 8.5mm heating circuits 1 flange ø 90mm hole ø 5mm		

			
1			
GEV No.	420149	Ref. No.	55050214
description	heating element for transport container 500W 230V 50Hz L 455mm W 55mm H 67mm suitable for Rieber 100KB connection high temperature appliance plug protection IP41 immersion heater/dry heating element		

heating elements for heated trolleys

			
1			
GEV No.	415549	Ref. No.	33010116
description	heating element 1750W 240V L 340mm W 66mm H 33mm connection male faston 6.3mm immersion heater expansion flange tube ø 8.5mm heating circuits 1 connection length 29mm flange 70x18mm		

bottom heaters



			
1			
GEV No.	419223	Ref. No.	33013001 33013001+33013003 9903059+9905044
description	bottom heater 1500W 230V ø 196mm		



heaters



1

GEV No.	601786	Ref. No.	59050609
description	heater 1600W 230V heating circuits 1 50/60Hz L 245mm W 220mm D 95mm fan wheel ø 152mm male faston 6.3mm		
spare parts for	601786		
	GEV No.	418281	Ref. No. 33010163
	heating element 1600W 240V heating circuits 1 ID ø 163mm ED ø 176mm flange 50x26mm L 188mm L1 5mm H 25mm H1 5mm H2 20mm connection male faston 6.3mm compression flange W1 31mm connection length 36mm tube ø 6.3mm convection heating element		
	GEV No.	601249	Ref. No. 33202222
	hot air fan 230V 32W 0.27A L1 60mm L2 20mm L3 20mm L4 157mm fan wheel ø 150mm ebm-papst type R2K150-AC01-15		



1

GEV No.	601700	Ref. No.	59050609
description	heater 1700W 230V heating circuits 1 50Hz L 245mm W 220mm D 110mm fan wheel ø 150mm		



1

GEV No.	415177	Ref. No.	55050205
description	heater 180W 240V L 470mm W 43mm H 40mm temperature restriction 84°C connection low temperature appliance plug dry heating element		



1

GEV No.	420154	Ref. No.	55050213
description	heater 300W 220-240V L 407mm W 228mm for transport container complete		



1

GEV No.	418300	Ref. No.	55050206
description	heater 500W 240V L 475mm W 43mm H 48mm connection high temperature appliance plug dry heating element		






1

GEV No.	418282	Ref. No.	59050608
description	heater 550W 240V heating circuits 1 L 130mm W 133mm H 104mm connection plug-in connection dry heating element H1 60mm H2 44mm hole distance 116mm hole ø 7mm		






1

GEV No.	601250	Ref. No.	53300102 9903076
description	heater with fan 220-240V 50/60Hz 1700W L 235mm W 235mm D 115mm fan wheel ø 150mm male faston 6.3mm		
spare parts for	601250		
	GEV No.	415246	Ref. No. 33010118
	heating element 2400W 230V ID ø 165mm ED ø 180mm heating circuits 1 H 90mm H1 60mm H2 30mm connection male faston 6.3mm W1 28mm tube ø 6.5mm dry heating element Lmm		
	GEV No.	601249	Ref. No. 33202222
	hot air fan 230V 32W 0.27A L1 60mm L2 20mm L3 20mm L4 157mm fan wheel ø 150mm ebm-papst type R2K150-AC01-15		



1

GEV No.	601263	Ref. No.	59050609
description	heater with fan 230V 50Hz 1600W L 245mm W 200mm D 95mm fan wheel ø 150mm male faston 6.3mm		
spare parts for	601263		
	GEV No.	418281	Ref. No. 33010163
	heating element 1600W 240V heating circuits 1 ID ø 163mm ED ø 176mm flange 50x26mm L 188mm L1 5mm H 25mm H1 5mm H2 20mm connection male faston 6.3mm compression flange W1 31mm connection length 36mm tube ø 6.3mm convection heating element		
	GEV No.	601148	Ref. No. 33200402
	fan wheel ø 152mm W 20mm shaft intake ø 6x5mm stainless steel blades 6		
	GEV No.	601264	Ref. No. 33202227
	hot air fan 115/230V 32W L1 58mm L2 20mm L3 20mm L4 87mm type EM4218-405 bu ebm-papst		



1

GEV No.	601256	Ref. No.	58233417 58233418
description	heater with fan 230V 50Hz 1700W L 240mm W 240mm D 85mm fan wheel ø 150mm male faston 6.3mm		
spare parts for	601256		
	GEV No.	419224	Ref. No. —
	heating element 1700W 240V ID ø 165mm ED ø 180mm heating circuits 1 H 90mm H1 60mm H2 30mm connection male faston 6.3mm W1 28mm tube ø 6.5mm dry heating element Lmm		
	GEV No.	601252	Ref. No. 33202223
	hot air fan 115/230V 30/35W L1 53mm L2 7mm L3 20mm L4 87mm fan wheel ø 150mm type R2K150-AC43-65 ebm-papst		



1



GEV No.	601255	Ref. No.	58233423
description	heater with fan 230V 50Hz 1610/1750W L 240mm W 240mm D 85mm fan wheel ø 150mm male faston 6.3mm		
spare parts for	601255		
	GEV No.	418281	Ref. No. 33010163
	heating element 1600W 240V heating circuits 1 ID ø 163mm ED ø 176mm flange 50x26mm L 188mm L1 5mm H 25mm H1 5mm H2 20mm connection male faston 6.3mm compression flange W1 31mm connection length 36mm tube ø 6.3mm convection heating element		
	GEV No.	601252	Ref. No. 33202223
	hot air fan 115/230V 30/35W L1 53mm L2 7mm L3 20mm L4 87mm fan wheel ø 150mm type R2K150-AC43-65 ebm-papst		






1

GEV No.	601251	Ref. No.	58233422
description	heater with fan 230V 50Hz 2400W L 240mm W 240mm D 85mm fan wheel ø 150mm male faston 6.3mm		
spare parts for	601251		
	GEV No.	418288	Ref. No. 33010161
	heating element 2400W 240V heating circuits 1 ID ø 163mm ED ø 176mm flange 50x26mm L 188mm L1 5mm H 25mm H1 5mm H2 20mm connection male faston 6.3mm compression flange W1 31mm connection length 35mm tube ø 6.3mm convection heating element		
	GEV No.	601252	Ref. No. 33202223
	hot air fan 115/230V 30/35W L1 53mm L2 7mm L3 20mm L4 87mm fan wheel ø 150mm type R2K150-AC43-65 ebm-papst		



GEV No.	601257	Ref. No.	58233417 58233418
description	heater with fan 230V 50Hz 2400W L 240mm W 240mm D 85mm fan wheel ø 150mm male faston 6.3mm		
spare parts for	601257		
	GEV No.	415246	Ref. No. 33010118
	heating element 2400W 230V ID ø 165mm ED ø 180mm heating circuits 1 H 90mm H1 60mm H2 30mm connection male faston 6.3mm W1 28mm tube ø 6.5mm dry heating element Lmm		
	GEV No.	601252	Ref. No. 33202223
	hot air fan 115/230V 30/35W L1 53mm L2 7mm L3 20mm L4 87mm fan wheel ø 150mm type R2K150-AC43-65 ebm-papst		



GEV No.	601269	Ref. No.	55050209
description	heater with fan 230V 50Hz 350W L 270mm W 240mm D 100mm		
spare parts for	601269		
	GEV No.	601258	Ref. No. 33200403
	fan motor 120/240V 8W D 60mm distance fan wheel - fixing 10mm mounting distance 47mm fan wheel ømm ebm-papst type EM3010L-19		
	GEV No.	601259	Ref. No. 33200404
	fan wheel ø 120mm W 16mm shaft intake ø 6x5mm blades 11		
	GEV No.	601260	Ref. No. 33200405
	nut thread M6L IT for hot air fan		



GEV No.	601270	Ref. No.	55050210
description	heater with fan 230V 50Hz 700W L 270mm W 240mm D 100mm		



GEV No.	601521	Ref. No.	55050244
description	hot air fan with heating element 230V 50/60Hz 810W L 270mm W 240mm D 100mm		

heater battery



GEV No.	415114	Ref. No.	33010701
description	heater battery mounting distance 185mm W 40mm H 35mm 2000W 230V temperature restriction 105°C heating circuits 2 connection cable cable length 150mm L 192mm for cross flow fan		

heating elements for convection




GEV No.	418281	Ref. No.	33010163
description	heating element 1600W 240V heating circuits 1 ID ø 163mm ED ø 176mm flange 50x26mm L 188mm L1 5mm H 25mm H1 5mm H2 20mm connection male faston 6.3mm compression flange W1 31mm connection length 36mm tube ø 6.3mm convection heating element		



GEV No.	418256	Ref. No.	33010115
description	heating element 1700W 240V ID ø 167mm ED ø 180mm heating circuits 1 H 90mm H1 62mm H2 28mm connection male faston 6.3mm tube ø 6.25mm dry heating element Lmm		




foil heating elements




1

GEV No.	415246	Ref. No.	33010118
description	heating element 2400W 230V ID ø 165mm ED ø 180mm heating circuits 1 H 90mm H1 60mm H2 30mm connection male faston 6.3mm W1 28mm tube ø 6.5mm dry heating element Lmm		



1

GEV No.	418288	Ref. No.	33010161
description	heating element 2400W 240V heating circuits 1 ID ø 163mm ED ø 176mm flange 50x26mm L 188mm L1 5mm H 25mm H1 5mm H2 20mm connection male faston 6.3mm compression flange W1 31mm connection length 35mm tube ø 6.3mm convection heating element		




1

GEV No.	415243	Ref. No.	33010105
description	heating element 415W 240V heating circuits 1 ID ø 157mm ED ø 170mm L1 35mm L2 135mm H 32mm connection 20 connection distance 33mm tube ø 6.5mm convection heating element L 170mm		



1

GEV No.	420287	Ref. No.	33010178
description	heating element 810W 240V heating circuits 1 ID ø 165mm ED ø 180mm Lmm H 30mm thread M10x1 connection F6.3 mounting distance 368mm tube ø 6.5mm convection heating element		




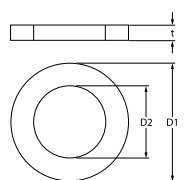
1

GEV No.	415210	Ref. No.	33010602
description	foil heating element L 400mm W 290mm 500W 230V t.max. 140°C with temperature limiter silicone cable length 1000mm thickness 1mm		

accessories

sealing washers

fibre gaskets


1

GEV No.	521122	Ref. No.	32440101
description	flat gasket fibre ED ø 31mm ID ø 21.5mm thickness 2mm for thread 1/2" Qty 1 pcs		

thermostats


bi-metal thermostats

bi-metal thermostats



1

GEV No.	390107	Ref. No.	33063001
description	bi-metal thermostat hole distance 23.8mm switch-off temp. 86°C 1NC 1-pole 10A connection F6.3 2 hole fixing		



1

GEV No.	391043	Ref. No.	33063009
description	bi-metal thermostat hole distancemm switch-off temp. 160°C 2NC 2-pole 10A connection F6.3 threaded probe L 28.5mm		



control and safety thermostats

EGO

control thermostats

55.13_ series



GEV No.	375703	Ref. No.	33061505
description	thermostat t.max. 80°C temperature range fixed 80°C 1-pole 1NC 16A probe ø 6mm probe L 95mm capillary pipe 1470mm capillary pipe isolated 1100mm gland nut shaft Lmm shaft position° shaft position rotation°		

safety thermostats

55.32_ series



GEV No.	375942	Ref. No.	21331
description	safety thermostat switch-off temp. 156°C 3-pole probe ø 4mm probe L 130mm capillary pipe 900mm capillary pipe isolated 800mm gland nut		

RATHGEBER

control thermostats



GEV No.	375739	Ref. No.	33060301
description	thermostat t.max. 110°C temperature range 30-110°C 1-pole 1NO 16A probe ø 6mm probe L 140mm capillary pipe 1600mm capillary pipe isolated 1560mm gland nut shaft ø ø6x4.6mm shaft L 24mm shaft position upper rotation 270°		

GEV No.	375702	Ref. No.	33060401 4007537121648
description	thermostat t.max. 110°C temperature range 30-110°C 1-pole 1NO 16A probe ø 6mm probe L 140mm capillary pipe 2400mm capillary pipe isolated 1700mm gland nut shaft ø ø6x4.6mm shaft L 17mm shaft position upper rotation 270°		

GEV No.	375736	Ref. No.	33061903
description	thermostat t.max. 150°C temperature range 50-150°C 1-pole 1CO 16A probe ø 6mm probe L 90mm capillary pipe 1450mm capillary pipe isolated 700mm gland nut M9x1 shaft ø ø6x4.6mm shaft L 23mm		

control thermostats with operation switch

GEV No.	375738	Ref. No.	33061801
description	thermostat t.max. 110°C temperature range 30-110°C 1-pole 1NO 16A probe ø 6mm probe L 140mm capillary pipe 1650mm capillary pipe isolated 1400mm shaft ø ø6x4.6mm shaft L 17mm shaft position upper rotation 270° outer switch 2NO		

switches and momentary switches


rocker/momentary rocker switches


30x11mm



GEV No.	346423	Ref. No.	33350206
description	rocker switch mounting measurements 30x11mm green 1NO/ indicator light 250V 16A 0-I connection male faston 6.3mm ambient temperature max. 85°C/145°C protection IP65 with cover cap		
accessories for	346423		
GEV No.	301035	Ref. No.	—
description	protective cover mounting measurements 30x11mm		



30x22mm


GEV No.	347791	Ref. No.	33350211
description	rocker switch mounting measurements 30x22mm green 2NO 230V 20A illuminated 0-I connection male faston 6.3mm ambient temperature max. 125/55°C protection IP65 with rubber collar		

			
1			
GEV No.	301060	Ref. No.	91030310
description	rocker switch mounting measurements 30x22mm red 2NO 250V 16A illuminated connection male faston 6.3mm ambient temperature max. 125/55°C protection IP40		


			
1			
GEV No.	346425	Ref. No.	37280601
description	gasket internal size 30x22mm suitable for switch		



labelled			
			
1			
GEV No.	345419	Ref. No.	33350207
description	rocker switch mounting measurements 30x22mm green 2NO 250V 16A illuminated 0-I connection male faston 6.3mm ambient temperature max. 85°C protection IP65 with cover cap		
accessories for	345419		
	GEV No.	301036	Ref. No. —
	protective cover internal size 30x22mm for rocker switch mounting measurementsmm		

			
1			
GEV No.	346424	Ref. No.	33350217 4007537121624
description	rocker switch mounting measurements 30x22mm green 2NO 250V 16A illuminated 0-I connection screw ambient temperature max. 125/55°C protection IP65 with cover cap		
accessories for	346424		
	GEV No.	301036	Ref. No. —
	protective cover internal size 30x22mm for rocker switch mounting measurementsmm		


accessories			
			
1			
GEV No.	346425	Ref. No.	37280601
description	gasket internal size 30x22mm suitable for switch		

push/momentary push switches


30x22mm			
			
1			
GEV No.	346425	Ref. No.	37280601
description	gasket internal size 30x22mm suitable for switch		

ø25mm			
			
1			
GEV No.	345011	Ref. No.	33351502
description	push switch mounting ø 25mm green 2NO 250V 16A illuminated connection male faston 6.3mm ambient temperature max. 85°C protection IP65		
accessories for	345011		
	GEV No.	345039	Ref. No. —
	protective cover round ED ø 33mm external size 23mm internal size 21mm H 12mm clear mounting ø 25mm		

cam switches

operation switches			
			
1			
GEV No.	300200	Ref. No.	33351201
description	operation switch 2 operating positions 2NO 16A sequence 0-1 shaft ø 6x4.6mm shaft L 23mm connection male faston 6.3mm operation switch ceramic		

encoders and potentiometers

			
1			
GEV No.	401406	Ref. No.	33353107
description	potentiometer 15A		



lamps

indicator lights

indicator lights (complete)

ø10mm

with plug-in socket



GEV No.	359341	Ref. No.	33830203
description	indicator light ø 10mm 230V green		

linear lamps

infrared lamps

with base type R7s



GEV No.	358116 ¹	Ref. No.	33012517
description	infrared lamp socket R7s L 349mm 240V 365W with reflector ø 20mm		

¹with double glass



GEV No.	358115 ¹	Ref. No.	33012518
description	infrared lamp socket R7s L 650mm 240V 765W with reflector ø 20mm		

¹with double glass

with base type Z ceramic



GEV No.	359678 ¹	Ref. No.	33012515
description	infrared lamp socket Z-ceramic L 349mm 230V 365W cable length 205mm		

¹with double glass



GEV No.	359679 ¹	Ref. No.	33012516
description	infrared lamp socket Z-ceramic L 640mm 240V 833W cable length 1300mm		


¹with double glass

timers

mechanical timers



GEV No.	350088	Ref. No.	33351701
description	timer 600 2-pole operation time 120min impulse mechanical 2NO at 250V 16A permanent position no shaft ø 6x4.6mm shaft 6x4.6mm shaft L 21mm mounting distance 28mm connection lateral		

accessories for	350088			
 <small>Image not available</small>	GEV No.	350116	Ref. No.	—
	bezel graduation 120min			

plug-in timers



GEV No.	350131	Ref. No.	33356106
description	timer setting mechanical operation time 24h intervals 15min 1NO at 230V 16A protection IP20 countries D/I type 346606 SUEVIA		

transformers

encapsulated transformers

PMA



GEV No.	379054	Ref. No.	33170101
description	transformer primary 230VAC secondary 12VAC 3VA secondary 0.25A H 40mm L 45mm W 50mm connection screw 50/60Hz type 153/M		



electronic controllers

SHANGFANG

accessories



1			
GEV No.	379054	Ref. No.	33170101
description	transformer primary 230VAC secondary 12VAC 3VA secondary 0.25A H 40mm L 45mm W 50mm connection screw 50/60Hz type 153/M		

STÖRK-TRONIK

universal controllers

built-in version



1			
GEV No.	379304	Ref. No.	33060214
description	electronic controller STÖRK-TRONIK type ST64-31.10 mounting measurements 60mm 230V voltage AC Pt100 relay outputs 1 NO-12A(6) Pt100 heated trolley front measurements 64mm built-in depth 62mm defr. funct. -80 to +400°C display 3 digits		
accessories for	379304		
	GEV No.	400040	Ref. No. —
	mounting plate SS dimensions 110x110mm cut-out ø 60mm		



1			
GEV No.	379305	Ref. No.	33060209
description	electronic controller STÖRK-TRONIK type ST64-31.10 mounting measurements 60mm 230V voltage AC PTC relay outputs 1 NO-12A(6) PTC refrigeration front measurements 64mm built-in depth 62mm defr. funct. -50 to +140°C display 3 digits		
accessories for	379305		
	GEV No.	379472	Ref. No. 33064504
	temperature probe PTC 1kOhm cable PVC probe -35 up to +105°C cable -10 up to 100°C connection 2-wire thread probe ø6x50mm cable length 4m		



1			
GEV No.	379599	Ref. No.	33060202
description	electronic controller STÖRK-TRONIK type ST70-31.10 mounting measurements 68.5x28.5mm 12/24V voltage AC/DC Pt100 relay outputs 1 relay defr. funct. no -80 up to +599°C display 3 digits TempIn1 yes 7A		

refrigeration controllers

built-in version



1			
GEV No.	379304	Ref. No.	33060214
description	electronic controller STÖRK-TRONIK type ST64-31.10 mounting measurements 60mm 230V voltage AC Pt100 relay outputs 1 NO-12A(6) Pt100 heated trolley front measurements 64mm built-in depth 62mm defr. funct. -80 to +400°C display 3 digits		
accessories for	379304		
	GEV No.	400040	Ref. No. —
	mounting plate SS dimensions 110x110mm cut-out ø 60mm		




1			
GEV No.	379305	Ref. No.	33060209
description	electronic controller STÖRK-TRONIK type ST64-31.10 mounting measurements 60mm 230V voltage AC PTC relay outputs 1 NO-12A(6) PTC refrigeration front measurements 64mm built-in depth 62mm defr. funct. -50 to +140°C display 3 digits		
accessories for	379305		
	GEV No.	379472	Ref. No. 33064504
	temperature probe PTC 1kOhm cable PVC probe -35 up to +105°C cable -10 up to 100°C connection 2-wire thread probe ø6x50mm cable length 4m		



probes

producer-specific probes

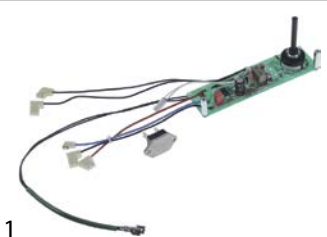
probes

1 

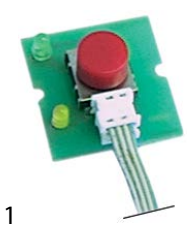
GEV No.	379472	Ref. No.	33064504
description	temperature probe PTC 1kOhm cable PVC probe -35 up to +105°C cable -10 up to 100°C connection 2-wire thread probe ø6x50mm cable length 4m		

electronics

PCBs


1 

GEV No.	402968	Ref. No.	91010317
description	control PCB for ceramic stove top L 140mm W 39mm		

1 

GEV No.	400165	Ref. No.	33840601
description	switch for membrane keypad		

electrodes


1 

GEV No.	401590	Ref. No.	33843703
description	level electrode PG21 total length 50mm probe L 10mm insulated probe length 1mm connection grip connection		

evaporation and condensing trays

condensing trays heated

universal

1 

GEV No.	750002	Ref. No.	32540604
description	condensing tray with thermostat L 320mm W 120mm H 75mm 230V 300W		

fans

axial fans

import

1 

GEV No.	601745 ¹	Ref. No.	88080651
description	axial fan L 119mm W 119mm H 38mm 230VAC 50/60Hz 22/21W bearing ball bearing manuf. no. A12B23SWB WFO connection cable length 300mm COSTECH		

¹with ball bearings

cross flow fans

ebm-papst

1 

GEV No.	601003	Ref. No.	33202202
description	cross flow fan roller ø 60mm roller length 180mm motor position left 22W universal bearing silicone connection male faston 6.3mm airflow 130m³/h 230V 50Hz		

COPREL

with standard coil



1			
GEV No.	601452	Ref. No.	33202202
description	cross flow fan TFL 180 roller ϕ 60mm roller length 180mm laminated core thickness 20mm motor position left 230V/50Hz 19W universal bearing silicone connection male faston 6.3mm airflow 100m ³ /h -30 up to +100°C 230V 50Hz		



1			
GEV No.	601248	Ref. No.	33202210
description	cross flow fan TFL 45 roller ϕ 45mm roller length 180mm laminated core thickness 20mm motor position left 230V/50-60Hz 26W universal bearing silicone connection male faston 6.3mm airflow 123m ³ /h -30 up to +100°C 230V 50Hz		

accessories for cross flow fans

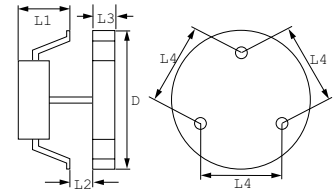
heater battery



1			
GEV No.	415114	Ref. No.	33010701
description	heater battery mounting distance 185mm W 40mm H 35mm 2000W 230V temperature restriction 105°C heating circuits 2 connection cable cable length 150mm L 192mm for cross flow fan		

hot air fans

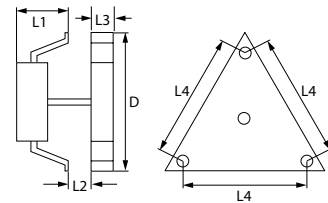
ebm-papst




1			
GEV No.	601266	Ref. No.	59050501
description	hot air fan 120/240V L1 50mm L2 8mm L3 17mm L4 47mm fan wheel ϕ 120mm type EM3010L-19 ebm-papst		

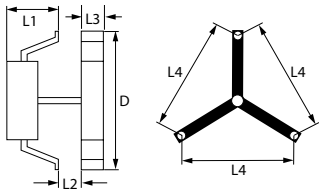


1			
GEV No.	601249	Ref. No.	33202222
description	hot air fan 230V 32W 0.27A L1 60mm L2 20mm L3 20mm L4 157mm fan wheel ϕ 150mm ebm-papst type R2K150-AC01-15		






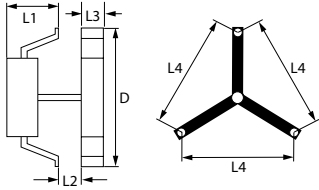
1






GEV No.	601252	Ref. No.	33202223
description	hot air fan 115/230V 30/35W L1 53mm L2 7mm L3 20mm L4 87mm fan wheel ø 150mm type R2K150-AC43-65 ebm-papst		



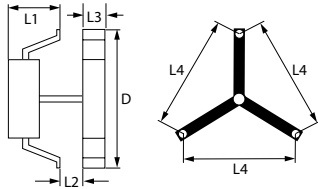
1






GEV No.	601264	Ref. No.	33202227	
description	hot air fan 115/230V 32W L1 58mm L2 20mm L3 20mm L4 87mm type EM4218-405 bu ebm-papst			
spare parts for	601264			
	GEV No.	601148	Ref. No.	33200402
	fan wheel ø 152mm W 20mm shaft intake ø 6x5mm stainless steel blades 6			
	GEV No.	601515	Ref. No.	33200401
	cap nuts thread M6L WS 10 steel Qty 1 pcs			



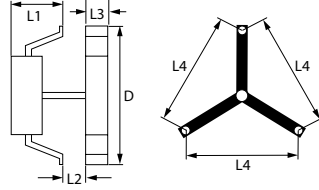
1




GEV No.	601265	Ref. No.	33202215	
description	hot air fan 120/240V 45W L1 65mm L2 20mm L3mm L4 130mm fan wheel ømm type RRC/B45 3030LH4 ebm-papst			
accessories for	601265			
	GEV No.	601261	Ref. No.	33202216
	fan wheel ø 154mm W 25mm shaft intake ø 6x5mm chrome-plated blades 7			
	GEV No.	601262	Ref. No.	33202217
	knurled nut ø 20mm thickness 9mm thread M6L IT			





1




GEV No.	601013	Ref. No.	33202209
description	hot air fan 230V 43W 0.25A L1 60mm L2 20mm L3 25mm L4 155mm fan wheel ø 150mm type R2S150-AA08-29 ebm-papst 2200rpm		




1

GEV No.	601258	Ref. No.	33200403	
description	fan motor 120/240V 8W D 60mm distance fan wheel - fixing 10mm mounting distance 47mm fan wheel ømm ebm-papst type EM3010L-19			
accessories for	601258			
	GEV No.	601259	Ref. No.	33200404
	fan wheel ø 120mm W 16mm shaft intake ø 6x5mm blades 11			
	GEV No.	601260	Ref. No.	33200405
	nut thread M6L IT for hot air fan			



1

GEV No.	601672	Ref. No.	33200406 9915037
description	hot air fan 230V 32W 0.27A 2 hole fixing 1800rpm distance fan wheel - fixing 10mm mounting distance 55mm fan wheel ø 150mm ebm-papst type R2A150-AG01-09		
spare parts for	601672		
	GEV No.	601148	Ref. No. 33200402
	fan wheel ø 152mm W 20mm shaft intake ø 6x5mm stainless steel blades 6		

HANNING




1

GEV No.	602134	Ref. No.	33202005
description	hot air fan 230V HANNING type EMB 16-973 50Hz W 80mm L 170mm		


accessories

fan wheels for hot air fans




1

GEV No.	601259	Ref. No.	33200404
description	fan wheel ø 120mm W 16mm shaft intake ø 6x5mm blades 11		



1

GEV No.	601148	Ref. No.	33200402
description	fan wheel ø 152mm W 20mm shaft intake ø 6x5mm stainless steel blades 6		



1

GEV No.	601261	Ref. No.	33202216
description	fan wheel ø 154mm W 25mm shaft intake ø 6x5mm chrome-plated blades 7		

miscellaneous



1

GEV No.	601515	Ref. No.	33200401
description	cap nuts thread M6L WS 10 steel Qty 1 pcs		



1

GEV No.	601262	Ref. No.	33202217
description	knurled nut ø 20mm thickness 9mm thread M6L IT		



1

GEV No.	601260	Ref. No.	33200405
description	nut thread M6L IT for hot air fan		



radial fans

miscellaneous



1

GEV No.	601697	Ref. No.	33202229
description	fan motor 230V voltage AC 50Hz D1 ø 138mm		




1



GEV No.	601250	Ref. No.	53300102 9903076
description	heater with fan 220-240V 50/60Hz 1700W L 235mm W 235mm D 115mm fan wheel ø 150mm male faston 6.3mm		
spare parts for	601250		
	GEV No.	415246	Ref. No. 33010118
	heating element 2400W 230V ID ø 165mm ED ø 180mm heating circuits 1 H 90mm H1 60mm H2 30mm connection male faston 6.3mm W1 28mm tube ø 6.5mm dry heating element Lmm		
	GEV No.	601249	Ref. No. 33202222
	hot air fan 230V 32W 0.27A L1 60mm L2 20mm L3 20mm L4 157mm fan wheel ø 150mm ebm-papst type R2K150-AC01-15		


heaters

hot air fans with heating element







1

GEV No.	601786	Ref. No.	59050609
description	heater 1600W 230V heating circuits 1 50/60Hz L 245mm W 220mm D 95mm fan wheel ø 152mm male faston 6.3mm		
spare parts for	601786		
	GEV No.	418281	Ref. No. 33010163
	heating element 1600W 240V heating circuits 1 ID ø 163mm ED ø 176mm flange 50x26mm L 188mm L1 5mm H 25mm H1 5mm H2 20mm connection male faston 6.3mm compression flange W1 31mm connection length 36mm tube ø 6.3mm convection heating element		
	GEV No.	601249	Ref. No. 33202222
	hot air fan 230V 32W 0.27A L1 60mm L2 20mm L3 20mm L4 157mm fan wheel ø 150mm ebm-papst type R2K150-AC01-15		



1

GEV No.	601263	Ref. No.	59050609
description	heater with fan 230V 50Hz 1600W L 245mm W 200mm D 95mm fan wheel ø 150mm male faston 6.3mm		
spare parts for	601263		
	GEV No.	418281	Ref. No. 33010163
	heating element 1600W 240V heating circuits 1 ID ø 163mm ED ø 176mm flange 50x26mm L 188mm L1 5mm H 25mm H1 5mm H2 20mm connection male faston 6.3mm compression flange W1 31mm connection length 36mm tube ø 6.3mm convection heating element		
	GEV No.	601148	Ref. No. 33200402
	fan wheel ø 152mm W 20mm shaft intake ø 6x5mm stainless steel blades 6		
	GEV No.	601264	Ref. No. 33202227
	hot air fan 115/230V 32W L1 58mm L2 20mm L3 20mm L4 87mm type EM4218-405 bu ebm-papst		



1

GEV No.	601700	Ref. No.	59050609
description	heater 1700W 230V heating circuits 1 50Hz L 245mm W 220mm D 110mm fan wheel ø 150mm		




1

GEV No.	601255	Ref. No.	58233423
description	heater with fan 230V 50Hz 1610/1750W L 240mm W 240mm D 85mm fan wheel ø 150mm male faston 6.3mm		
spare parts for	601255		
	GEV No.	418281	Ref. No. 33010163
	heating element 1600W 240V heating circuits 1 ID ø 163mm ED ø 176mm flange 50x26mm L 188mm L1 5mm H 25mm H1 5mm H2 20mm connection male faston 6.3mm compression flange W1 31mm connection length 36mm tube ø 6.3mm convection heating element		
	GEV No.	601252	Ref. No. 33202223
	hot air fan 115/230V 30/35W L1 53mm L2 7mm L3 20mm L4 87mm fan wheel ø 150mm type R2K150-AC43-65 ebm-papst		




1

GEV No.	601251	Ref. No.	58233422
description	heater with fan 230V 50Hz 2400W L 240mm W 240mm D 85mm fan wheel ø 150mm male faston 6.3mm		
spare parts for	601251		
	GEV No.	418288	Ref. No. 33010161
	heating element 2400W 240V heating circuits 1 ID ø 163mm ED ø 176mm flange 50x26mm L 188mm L1 5mm H 25mm H1 5mm H2 20mm connection male faston 6.3mm compression flange W1 31mm connection length 35mm tube ø 6.3mm convection heating element		
	GEV No.	601252	Ref. No. 33202223
	hot air fan 115/230V 30/35W L1 53mm L2 7mm L3 20mm L4 87mm fan wheel ø 150mm type R2K150-AC43-65 ebm-papst		




1

GEV No.	601256	Ref. No.	58233417 58233418
description	heater with fan 230V 50Hz 1700W L 240mm W 240mm D 85mm fan wheel ø 150mm male faston 6.3mm		
spare parts for	601256		
	GEV No.	419224	Ref. No. —
	heating element 1700W 240V ID ø 165mm ED ø 180mm heating circuits 1 H 90mm H1 60mm H2 30mm connection male faston 6.3mm W1 28mm tube ø 6.5mm dry heating element Lmm		
	GEV No.	601252	Ref. No. 33202223
	hot air fan 115/230V 30/35W L1 53mm L2 7mm L3 20mm L4 87mm fan wheel ø 150mm type R2K150-AC43-65 ebm-papst		



1

GEV No.	601257	Ref. No.	58233417 58233418
description	heater with fan 230V 50Hz 2400W L 240mm W 240mm D 85mm fan wheel ø 150mm male faston 6.3mm		
spare parts for	601257		
	GEV No.	415246	Ref. No. 33010118
	heating element 2400W 230V ID ø 165mm ED ø 180mm heating circuits 1 H 90mm H1 60mm H2 30mm connection male faston 6.3mm W1 28mm tube ø 6.5mm dry heating element Lmm		
	GEV No.	601252	Ref. No. 33202223
	hot air fan 115/230V 30/35W L1 53mm L2 7mm L3 20mm L4 87mm fan wheel ø 150mm type R2K150-AC43-65 ebm-papst		



1




GEV No.	601269	Ref. No.	55050209
description	heater with fan 230V 50Hz 350W L 270mm W 240mm D 100mm		
spare parts for	601269		
	GEV No.	601258	Ref. No. 33200403
	fan motor 120/240V 8W D 60mm distance fan wheel - fixing 10mm mounting distance 47mm fan wheel ømm ebm-papst type EM3010L-19		

Table continues overleaf




spare parts for 601269			
	GEV No.	601259	Ref. No. 33200404
fan wheel ø 120mm W 16mm shaft intake ø 6x5mm blades 11			
	GEV No.	601260	Ref. No. 33200405
nut thread M6L IT for hot air fan			

			
1			
GEV No.	601270	Ref. No.	55050210
description	heater with fan 230V 50Hz 700W L 270mm W 240mm D 100mm		

hot air fans with heating element and control			
			
1			
GEV No.	601521	Ref. No.	55050244
description	hot air fan with heating element 230V 50/60Hz 810W L 270mm W 240mm D 100mm		

fuses

thermal fuses


			
1			
GEV No.	358301	Ref. No.	33062501
description	thermal fuse switch-off temp. 98°C nominal 10A		

electric accessories

plugs - couplings - power sockets


appliance sockets/plugs


medium temperature appliances 120°C

			
1			
GEV No.	550872	Ref. No.	33553010
description	medium temperature appliance plug C16 male faston 6.3mm max 10A/250V T120 thermoplastic		


cables


power supply cables

			
1			
GEV No.	550554	Ref. No.	33102910
description	low temperature appliance supply cable CEE7/7 - C13 3-pole contacts P+N+E 1.5mm ² max. 10A max 250V 3.0m H05VVF T70 2-pole + earthing insulation PVC		

			
1			
GEV No.	550553	Ref. No.	33102901
description	medium temperature appliance supply cable CEE7/7 - C15 3-pole contacts P+N+E 1mm ² max. 10A max 250V 2.0m H05VVF T120 insulation PVC countries D/F/B/I black		

spiral cables

			
1			
GEV No.	550101	Ref. No.	55050106
description	spiral cable plug type CEE7/7 type E+F 1.5mm ² 3-pole with plug L 500mm expansion 5:1 countries A/B/D/F/I orange t.max. 70°C		

1


GEV No.	550555	Ref. No.	55050105
description	spiral cable plug type CEE7/7 type E+F 1.5mm ² 3-pole with plug L 500mm expansion 5:1 countries A/B/D/F/I orange t.max. 70°C		



1

GEV No.	550071	Ref. No.	33100309
description	spiral cable plug type CEE7/7 type E+F 1.5mm ² 3-pole with plug L 500mm expansion 5:1 countries A/D/I black		


miscellaneous



1


GEV No.	402980	Ref. No.	40520601
description	cable L 0.2m confectioned		

plug connectors



1


GEV No.	550869	Ref. No.	33553553
description	plug connector 4-pole		



1


GEV No.	550870	Ref. No.	33553550
description	plug connector 4-pole		

equipment-specific units for plate dispensers




1

GEV No.	694460	Ref. No.	37131204
description	guide roller for plate dispensers L 37mm ø 12/26mm black plastic		




1

GEV No.	694459	Ref. No.	0805004 89060109
description	lid for plate dispensers ø 315mm transparent plastic		




1

GEV No.	694461	Ref. No.	38790202
description	rivet for plate dispensers L 49mm ø 6mm SS		



1

GEV No.	690915	Ref. No.	37131202 9906030
description	roller ø 42mm black plastic		



1

GEV No.	690914	Ref. No.	32680401 32681801
description	tension spring ø 17mm total length 156mm wire gauge ø 1.3mm		

for thermoport




1

GEV No.	699295	Ref. No.	37130401
description	sliding rail L 492mm W 30mm H 15mm		




knobs

universal knobs



1

GEV No.	110241	Ref. No.	33353019
description	knob thermostat t.max. 110°C ø 50mm shaft ø 6x4.6mm shaft flat upper black temperature range 30-110°C		




1

GEV No.	111899	Ref. No.	33353017
description	knob thermostat t.max. 110°C ø 50mm shaft ø 6x4.6mm shaft flat left black temperature range 30-110°C		


producer-specific knobs

RIEBER




1

GEV No.	111872	Ref. No.	33353024 9939030
description	knob graduated t.max.°C temperature range°C ø 37mm shaft ø 6x4.6mm shaft flat left		




1

GEV No.	111900	Ref. No.	33353025
description	knob switch zero mark t.max.°C temperature range°C ø 28mm shaft ø 6.4mm black		




1

GEV No.	111865	Ref. No.	33353026
description	knob tail 1-3 t.max.°C temperature range°C ø 42mm shaft ø 6x4.6mm shaft flat upper		



1

GEV No.	111899	Ref. No.	33353017
description	knob thermostat t.max. 110°C ø 50mm shaft ø 6x4.6mm shaft flat left black temperature range 30-110°C		



1

GEV No.	110241	Ref. No.	33353019
description	knob thermostat t.max. 110°C ø 50mm shaft ø 6x4.6mm shaft flat upper black temperature range 30-110°C		

handles and hand wheels


handle bars

handle bars




1

GEV No.	690931	Ref. No.	55010302
description	handle rod tube ø 25mm thickness 1.5mm L 256mm SS		




1

GEV No.	690892	Ref. No.	59012001
description	handle rod tube ø 25mm thickness 1.5mm L 290mm SS		



1

GEV No.	690894	Ref. No.	58132901
description	handle rod tube ø 25mm thickness 1.5mm L 450mm SS		



1

GEV No.	690929	Ref. No.	59021801
description	handle rod tube ø 25mm thickness 1.5mm L 473mm SS		

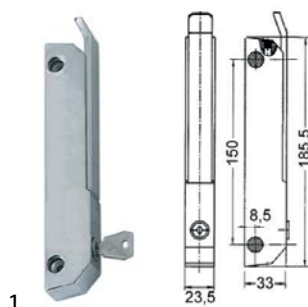
locks

edgemoat latches

handle latches





RAHRBACH

6188 ERGO series



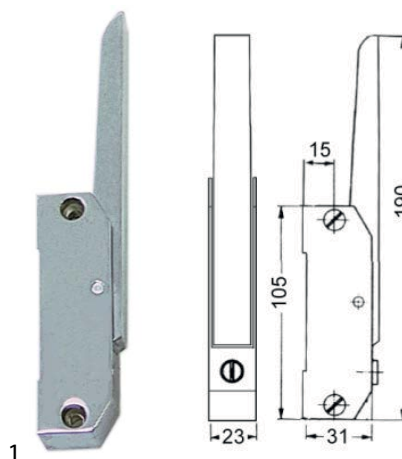
GEV No.	690016	Ref. No.	32105001
description	handle latch L 185mm mounting distance 150mm chrome-plated lockable refrigeration units 6188		

accessories for 690016

	GEV No.	690110	Ref. No.	—
	base plate H 1mm L 38mm W 11mm mounting distance 26mm plastic			
	GEV No.	690111	Ref. No.	—
	base plate H 2mm L 38mm W 11mm mounting distance 26mm plastic			
	GEV No.	690114	Ref. No.	—
	base plate H 3.5mm L 185mm W 30mm mounting distance 150mm with inclination thread M5			
	GEV No.	700082	Ref. No.	32105002
	door catch L 38mm W 18mm mounting distance 26mm			

S&S

2074 series



GEV No.	690012	Ref. No.	32105018
description	handle latch L 105mm mounting distance 90mm non lockable refrigeration units 2074		

accessories for 690012











	GEV No.	690013	Ref. No.	—
	door catch H 5mm with spigot			

Table continues overleaf




	GEV No.	690893	Ref. No.	58160701 59160701
description	handle rod tube ø 25mm thickness 1.5mm L 490mm SS			

	GEV No.	690930	Ref. No.	59021802
description	handle rod tube ø 25mm thickness 1.5mm L 495mm SS			

consoles

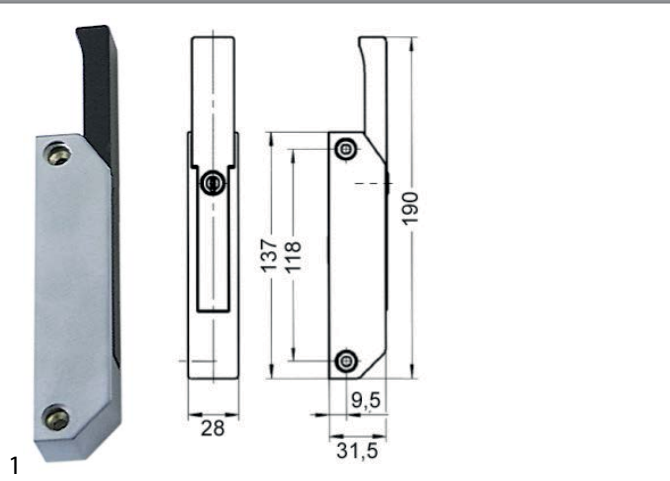
	GEV No.	690889	Ref. No.	37130501
description	console for handle rod tube ø 25mm			
accessories for 690889				
	GEV No.	690892	Ref. No.	59012001
	handle rod tube ø 25mm thickness 1.5mm L 290mm SS			
	GEV No.	690893	Ref. No.	58160701 59160701
	handle rod tube ø 25mm thickness 1.5mm L 490mm SS			
	GEV No.	690894	Ref. No.	58132901
	handle rod tube ø 25mm thickness 1.5mm L 450mm SS			
	GEV No.	690929	Ref. No.	59021801
	handle rod tube ø 25mm thickness 1.5mm L 473mm SS			
	GEV No.	690930	Ref. No.	59021802
	handle rod tube ø 25mm thickness 1.5mm L 495mm SS			
	GEV No.	690931	Ref. No.	55010302
	handle rod tube ø 25mm thickness 1.5mm L 256mm SS			






accessories for 690012				
	GEV No.	690014	Ref. No.	32105023
	door catch H 10mm hole distance 32mm with spigot hole ø 5.5mm spigot-ø 10mm			
	GEV No.	690015	Ref. No.	—
	door catch H 13mm with spigot			
	GEV No.	690307	Ref. No.	—
	door catch L 105mm W 23mm H 14mm mounting distance 90mm high			


STUV


3.30.05xx.x series




GEV No.	690124	Ref. No.	32105012
description	handle latch L 137mm mounting distance 118mm plastic non lockable refrigeration units 3.30.0501		
accessories for 690124			
	GEV No.	700078	Ref. No. 32105017
	door catch L 47mm W 14mm H 29mm mounting distance 21-33mm zinc die cast adjustable		
	GEV No.	701540	Ref. No. —
	door catch L 47mm W 14mm H 29mm mounting distance 21-33mm zinc die cast, chrome-plated adjustable		
	GEV No.	701541	Ref. No. —
	door catch L 47mm W 14mm H 29mm mounting distance 21-33mm zinc die cast, chrome-plated adjustable		

door catches

	1		
GEV No.	690014	Ref. No.	32105023
description	door catch H 10mm hole distance 32mm with spigot hole ø 5.5mm spigot-ø 10mm		

	1		
GEV No.	700082	Ref. No.	32105002
description	door catch L 38mm W 18mm mounting distance 26mm		

	1		
GEV No.	700078	Ref. No.	32105017
description	door catch L 47mm W 14mm H 29mm mounting distance 21-33mm zinc die cast adjustable		


hinges

edgmount hinges

miscellaneous

	1		
GEV No.	692182	Ref. No.	37138909
description	hinge L 78mm W 78mm mounting distance 40/46mm hinging left without lift plastic black		

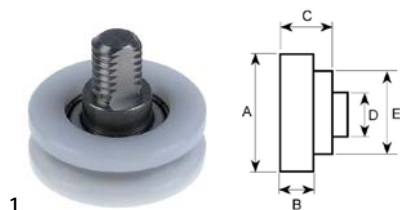
door bearing

	1		
GEV No.	701041	Ref. No.	55011801
description	bolt L 67mm ø 5mm for hinge		

pullouts

rollers

rollers



1

GEV No.	690232	Ref. No.	32340701
description	roller rollerø 28mm B1 10mm A 28mm B 10mm C 12mm D M8mm E 11mm plastic thread M8 thread L 10mm		

equipment feet and end caps

screw-in feet



1

GEV No.	514421	Ref. No.	37121425
description	buffer L 10mm ø 10mm ET M4 IT M4 total length 20mm Qty 1 pcs		

STEINCO

with fixing plate

plastic



1

GEV No.	700231	Ref. No.	32292103
description	fixed castor ø 125mm plate fixing housing polyamide plate size 95x70mm hole distance 75x50mm capacity 100kg bearing ball bearing wheel body polyamide tread TPE tyres H 161mm wheel width 32mm Qty 1 pcs		



1

GEV No.	700228	Ref. No.	32290203
description	swivel castor ø 125mm plate fixing housing plastic plate size 95x70mm hole distance 75x50mm capacity 100kg bearing ball bearing wheel body polyamide tread TPE tyres H 161mm wheel width 32mm Qty 1 pcs		

GEV No.	700227 ¹	Ref. No.	32291203
description	swivel castor with swivel brake ø 125mm plate fixing housing plastic plate size 95x70mm hole distance 75x50mm capacity 100kg bearing ball bearing wheel body polyamide tread TPE tyres H 161mm wheel width 32mm Qty 1 pcs		

¹with swivel brake

with spigot

plastic



1

GEV No.	700240	Ref. No.	32292104
description	fixed castor ø 125mm spigot housing plastic capacity 100kg spigot height 62mm spigot-ø 18mm bearing ball bearing wheel body polyamide tread TPE tyres H 161mm wheel width 32mm Qty 1 pcs		



1

GEV No.	700229	Ref. No.	32290204
description	swivel castor ø 125mm spigot housing plastic capacity 100kg spigot height 62mm spigot-ø 18mm bearing ball bearing wheel body polyamide tread TPE tyres H 161mm wheel width 32mm Qty 1 pcs		



1

GEV No.	700241 ¹	Ref. No.	32291204
description	swivel castor with swivel brake ø 125mm spigot housing plastic capacity 100kg spigot height 62mm spigot-ø 18mm bearing ball bearing wheel body polyamide tread TPE tyres H 161mm wheel width 32mm Qty 1 pcs		


¹with swivel brake



spare parts and accessories

sleeves


for circular pipes



1


GEV No.	700316	Ref. No.	37131103
description	sleeve suitable for circular pipes ED \varnothing 22mm ID \varnothing 17mm L 58mm polyamide		

for square pipes



1

GEV No.	700230	Ref. No.	37131006 37131008
description	sleeve suitable for square pipes external size 22.5x22.5mm ID \varnothing 18mm L 62mm polyamide M10x1.5		




1

GEV No.	710067	Ref. No.	37131007
description	sleeve suitable for square pipes external size 37.6x37.6mm ID \varnothing 18mm L 62mm polyamide M10x1.5		

miscellaneous


with fixing plate

\varnothing 160mm




1

GEV No.	700234	Ref. No.	32262303
description	fixed castor \varnothing 160mm plates fixing 135x113mm housing stainless steel hole distance 105x80mm capacity 100kg bearing ball bearing wheel body polypropylene tread thermoplastic rubber H 200mm wheel width 38mm		



1


GEV No.	700232	Ref. No.	32260302
description	swivel castor \varnothing 160mm plates fixing 140x110mm housing stainless steel hole distance 105x80mm capacity 100kg bearing ball bearing wheel body polypropylene tread thermoplastic rubber H 199mm wheel width 38mm		



1


GEV No.	700233	Ref. No.	32261303
description	swivel castor \varnothing 160mm plates fixing 140x110mm housing stainless steel hole distance 105x80mm tread thermoplastic rubber H 199mm wheel width 38mm		

\varnothing 200mm




1

GEV No.	700237	Ref. No.	32262510
description	fixed castor \varnothing 200mm plates fixing 135x113mm housing stainless steel hole distance 105x80mm tread thermoplastic rubber H 240mm wheel width 45mm		



1


GEV No.	700238	Ref. No.	32260508
description	swivel castor \varnothing 200mm plates fixing 140x110mm housing stainless steel hole distance 105x80mm bearing ball bearing wheel body polypropylene tread thermoplastic rubber H 245mm wheel width 45mm		



1

GEV No.	700239	Ref. No.	32261510
description	swivel castor \varnothing 200mm plates fixing 140x110mm housing stainless steel hole distance 105x80mm capacity 200kg bearing ball bearing wheel body polypropylene tread thermoplastic rubber H 240mm wheel width 45mm		

bumper wheels



1

GEV No.	700154	Ref. No.	37131004
description	bumper wheel ED \varnothing 95mm ID \varnothing 25mm H 18mm PVC grey		



1

GEV No.	700157	Ref. No.	37130901
description	bumper wheel ED \varnothing 99mm ID \varnothing 25x25mm H 19mm PVC grey		

accessories

sleeves

for circular pipes



1

GEV No.	700318	Ref. No.	37131102
description	sleeve suitable for circular pipes ED \varnothing 21.7mm ID \varnothing 18mm L 62mm plastic		

for square pipes



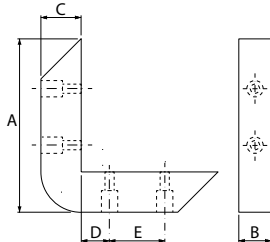
1

GEV No.	700317	Ref. No.	37131004
description	sleeve suitable for square pipes plastic external size 25x25mm		

bumper angles



1



GEV No.	690890 ¹	Ref. No.	37130701
description	bumper angle outer length 184mm inner length 150mm W 33mm H 27mm mounting distance 60mm hole distance 34mm hole \varnothing 5mm thermoplastic black		

accessories for 690890



1

GEV No.	690891	Ref. No.	37130801
description	plug for bumper angle \varnothing 10.7mm L 7mm black Qty 1 pcs		

¹suitable plug 690891

GEV No.	690891	Ref. No.	37130801
description	plug for bumper angle \varnothing 10.7mm L 7mm black Qty 1 pcs		

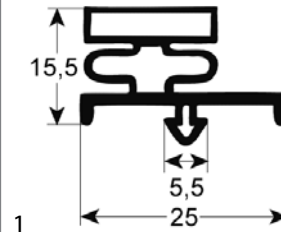
gaskets

refrigeration gaskets

plug-in gaskets

profile 9185

We offer custom-made gaskets for this profile

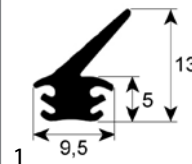


1

GEV No.	902271	Ref. No.	N/A
description	refrigeration gasket profile 9185 Wmm L 2500mm		

gaskets for heated units

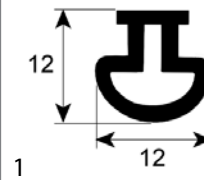
door seals



1

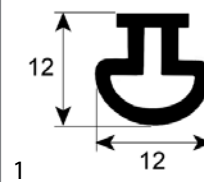
GEV No.	901399	Ref. No.	88080666
description	door seal profile 2709 L 1270mm suitable for Rieber		

seals for THERMOPORT products



1

GEV No.	900521	Ref. No.	55150101
description	door seal L 2200mm		



1

GEV No.	900522	Ref. No.	55150102
description	door seal L 2500mm		



GEV No.	900518	Ref. No.	37281101 55150103
description	door seal L 3450mm silicone		

GEV No.	900519	Ref. No.	37281401
description	door seal L 555mm W 365mm suitable for thermo port		

GEV No.	900520	Ref. No.	37281101
description	door seal Qty supplied by meter		

O-rings

EPDM

GEV No.	532511	Ref. No.	37282401 9919001
description	O-ring EPDM thickness 3mm ID ø 60mm Qty 1 pcs		

sealing washers

fibre gaskets

GEV No.	506025	Ref. No.	32440101
description	flat gasket FIBER ED ø 31mm ID ø 21mm thickness 2mm Qty 1 pcs		

GEV No.	521122	Ref. No.	32440101
description	flat gasket fibre ED ø 31mm ID ø 21.5mm thickness 2mm for thread 1/2" Qty 1 pcs		

transmission technology and ball bearings

ball bearings

deep-groove ball bearings 2RS

GEV No.	523513	Ref. No.	32340102
description	deep-groove ball bearing type 6205-2RS shaft ø 25mm ED ø 52mm W 15mm with sealing discs deep-groove ball bearing DIN 625-1		

GEV No.	523504	Ref. No.	32340101
description	deep-groove ball bearing type 626-2RS shaft ø 6mm ED ø 19mm W 6mm with sealing discs deep-groove ball bearing DIN 625-1		

springs

tension springs

GEV No.	690914	Ref. No.	32680401 32681801
description	tension spring ø 17mm total length 156mm wire gauge ø 1.3mm		

GEV No.	700522	Ref. No.	32681501
description	tension spring ø 19.6mm total length 145mm wire gauge ø 1.6mm		

GEV No.	700520	Ref. No.	32680201
description	tension spring ø 34.9mm total length 205mm wire gauge ø 3.3mm		

GEV No.	700521	Ref. No.	32680301
description	tension spring ø 35mm total length 210mm wire gauge ø 3.1mm		

			
1			
GEV No.	700519	Ref. No.	32680101
description	tension spring ø 38.6mm total length 210mm wire gauge ø 3.8mm		

valves and tank inlets


ball valves

producer-specific

RIEBER

			
1			
GEV No.	514334	Ref. No.	32332401
description	ball valve connection 1/2" IT - 1/2" ET total length 45mm chrome-plated brass		
accessories for	514334		
	GEV No.	514335	Ref. No. 37138201
	description	extension for ball valve	
	GEV No.	514510	Ref. No. 32320102 9928030
	description	knob wing handle L 40mm W 19mm H 20mm	
	GEV No.	560299	Ref. No. 38350102
	description	countersunk screw thread M5 L 75mm SS DIN 965/ISO 7046 Qty 1 pcs intake Phillips	

			
1			
GEV No.	560299	Ref. No.	38350102
description	countersunk screw thread M5 L 75mm SS DIN 965/ISO 7046 Qty 1 pcs intake Phillips		

			
1			
GEV No.	514335	Ref. No.	37138201
description	extension for ball valve		


accessories

			
1			
GEV No.	514510	Ref. No.	32320102 9928030
description	knob wing handle L 40mm W 19mm H 20mm		

drain systems and wash basins



drain fittings

producer-specific

			
1			
GEV No.	540670	Ref. No.	32400707
description	drain fitting thread 1/2" SS H 15mm ED ø 28mm		

washbasin drain valves

drain valves

			
Image not available			
1			
GEV No.	515016	Ref. No.	82150701
description	drain fitting thread 2" chrome-plated brass ø 115mm without handle		
accessories for	515016		
	GEV No.	515017	Ref. No. 37881002
	description	gasket set for drain	

measuring equipment

thermometers

built-in thermometers

ø60mm

			
1			
GEV No.	541845	Ref. No.	40014101
description	thermometer mounting ø 60mm 0-120°C probe ø 8.4mm probe L 40mm capillary pipe 190mm complete with frame		




			
1			
GEV No.	541409	Ref. No.	33070104
description	thermometer mounting ø 60mm t.max. 120°C 0 up to +120°C probe ø 8.5mm probe L 15mm capillary pipe 720mm		


fastening material


screws

countersunk screws

			
1			
GEV No.	560299	Ref. No.	38350102
description	countersunk screw thread M5 L 75mm SS DIN 965/ISO 7046 Qty 1 pcs intake Phillips		


side bolts

			
1			
GEV No.	560298	Ref. No.	38240106
description	flat-headed bolt thread M6 L 20mm SS Qty 1 pcs intake hexagonal 4mm		

			
1			
GEV No.	560468	Ref. No.	38240107
description	screw thread M5 L 12.5mm SS Qty 1 pcs intake hexagonal 3mm head ø 11.3mm		


nuts


cap nuts

			
1			
GEV No.	601515	Ref. No.	33200401
description	cap nuts thread M6L WS 10 steel Qty 1 pcs		

fasteners


mounting clips

			
1			
GEV No.	694463	Ref. No.	38650101
description	mounting clip with cap for spindle 5mm H 4mm		

			
1			
GEV No.	694462	Ref. No.	38650102
description	mounting clip with cap for spindle 6mm H 5mm		

retaining rings


DIN 471

			
1			
GEV No.	693061	Ref. No.	38620101
description	retaining ring shaft ø 25mm thickness 1.2mm steel DIN 471		

consumables

fuses

thermal fuses

			
1			
GEV No.	358301	Ref. No.	33062501
description	thermal fuse switch-off temp. 98°C nominal 10A		

A			
appliance sockets/plugs	19	heating elements for plate warmers	3
axial fans	13	heating elements for transport containers	3
B		hot air fans	14
ball valves	28	I	
bi-metal thermostats	8, 8	indicator lights	11
bottom heaters	4	indicator lights (complete)	11
C		infrared lamps	11
cables	19	L	
cam switches	10	lamps	11
cap nuts	29	linear lamps	11
castors and bumper angles	24	M	
condensing trays heated	13	measuring equipment	28
consumables	29	mechanical timers	11
control thermostats	9	mounting clips	29
countersunk screws	29	N	
cross flow fans	13	nuts	29
D		O	
door catches	23	O-rings	27
door seals	26	P	
drain fittings	28	plug connectors	20
drain systems and wash basins	28	plug-in gaskets	26
drain valves	28	plug-in timers	11
E		plugs - couplings - power sockets	19
edgemount hinges	23	power supply cables	19
edgemount latches	22	probes	13
electric accessories	19	push/momentary push switches	10
electrodes	13	R	
electronic controllers	12	radial fans	17
F		refrigeration gaskets	26
fans	13	retaining rings	29
fasteners	29	rocker/momentary rocker switches	9
fastening material	29	S	
foil heating elements	8	safety thermostats	9
fuses	19, 29	screws	29
G		sealing washers	27
gaskets for heated units	26	seals for THERMOPOINT products	26
H		side bolts	29
handle latches	22	spiral cables	19
heater battery	7	switches and momentary switches	9
heaters	5, 17	T	
heating elements	3, 4	thermal fuses	29
heating elements for bain maries	3	thermostats	8
heating elements for convection	7	timers	11
heating elements for heated trolleys	4	transformers	11

V

valves and tank inlets 28

W

washbasin drain valves 28