



GAS COMPONENTS



ELECTRIC COMPONENTS



WATER TECHNOLOGY



MECHANICAL COMPONENTS



TOOLS

Spare parts suitable for

ROKA

Find the complete and up-to-date range of products in our GEV Webshop



Manufacturer catalogue

The most important spare parts and accessories arranged clearly for every manufacturer

- ✓ Complete product range and all appliance data always up to date in the GEV Webshop
- ✓ Alphabetical Index at the end of the catalogue

GEV Webshop

www.gev-online.co.uk

www.gev-online.com






- 🔍 Add to Favourites
- 🔍 Sign In with email address and usual password
- 🔍 Easy-order – place several items in your basket at the same time
- 🔍 Quick Item search – no login needed









heating elements


heating elements for bain maries


			
GEV No.	415323	Ref. No.	8900322
description	heating element 1600W 230V heating circuits 1 L 383mm W 96mm flange length 45mm flange width 12mm hole distance 36mm tube ø 6.3mm cable length 290mm rectangular flange hole ø M5mm dry heating element L1 14mm L2 369mm W1 72mm W2 24mm		

			
GEV No.	415669	Ref. No.	14997 8900324
description	heating element 2000W 230V heating circuits 1 L 452mm W 256mm connection male faston 6.3mm tube ø 6.3mm 2 hole fixing thread M10x1 immersion heater W1 59mm W2 138mm H 16mm mounting distance 132mm		
accessories for	415669		
			
GEV No.	510902	Ref. No.	—
	O-ring EPDM thickness 2mm ID ø 9.5mm Qty 1 pcs		

			
GEV No.	415675	Ref. No.	14181 8900342
description	heating element 2000W 230V L 250mm W 100mm connection male faston 6.3mm tube ø 8.5mm 2 hole fixing thread M14x1.5 immersion heater H 26mm mounting distance 92mm		

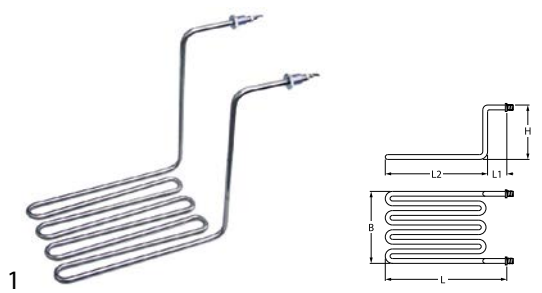
			
GEV No.	415375	Ref. No.	10982 8900341
description	heating element 3000W 230V L 257mm W 165mm connection male faston 6.3mm tube ø 8.5mm 2 hole fixing thread M14x1.5 immersion heater H 28mm mounting distance 158mm		
accessories for	415375		
			
GEV No.	510417	Ref. No.	—
	flat gasket fibre ED ø 20mm ID ø 14mm thickness 2mm Qty 1 pcs		
			
GEV No.	520228	Ref. No.	—
	tooth lock washer ID ø 15.3mm ED ø 24mm steel Qty 1 pcs for thread M14		
			
GEV No.	520230	Ref. No.	—
	nut thread M14x1.5 H 5mm WS 19 zinc-coated steel Qty 1 pcs		
			
GEV No.	521101	Ref. No.	—
	nut thread M14x1.5 H 5mm WS 19 SS Qty 1 pcs		

accessories for	415375		
			
GEV No.	550262	Ref. No.	—
	flat gasket copper ED ø 20mm ID ø 14mm thickness 2mm		

			
GEV No.	415672	Ref. No.	13653 8900325
description	heating element 3000W 230V L 452mm W 254mm connection 6.3 tube ø 6.3mm 2 hole fixing thread M10x1 immersion heater W1 60mm W2 136mm H 20mm mounting distance 130mm		

heating elements for fryers

2 hole fixing

			
GEV No.	415365	Ref. No.	8900332 8900332, 215mm
description	heating element 3300W 220V heating circuits 1 L 310mm W 170mm H 215mm L1 70mm L2 240mm mounting pos. outer thread M14x1.5 mounting distance 162mm tube ø 8.5mm windings 4 2 hole fixing connection male faston 6.3mm		

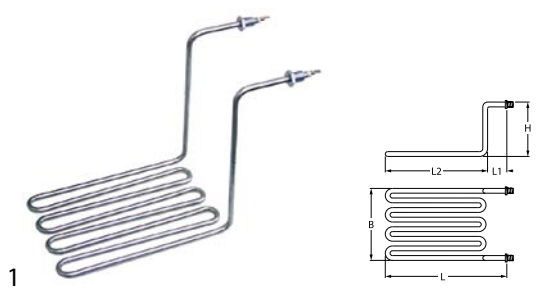





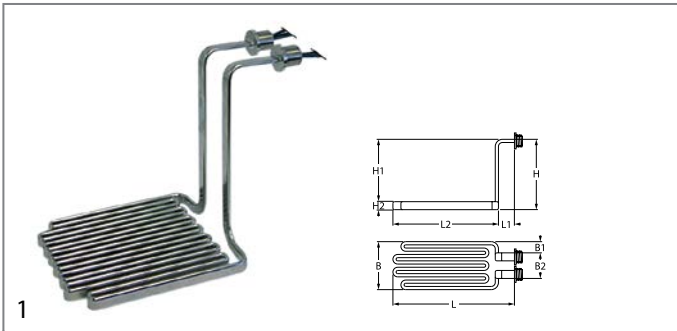
			
GEV No.	415366	Ref. No.	8900332 8900332, 235mm
description	heating element mounting pos. inner 3300W 220V heating circuits 1 L 325mm W 175mm H 240mm L1 82mm L2 245mm thread M14x1.5 mounting distance 156mm tube ø 8.5mm windings 4 2 hole fixing connection male faston 6.3mm connection length 35mm immersion heater		
accessories for	415366		
			
GEV No.	510417	Ref. No.	—
	flat gasket fibre ED ø 20mm ID ø 14mm thickness 2mm Qty 1 pcs		
			
GEV No.	520228	Ref. No.	—
	tooth lock washer ID ø 15.3mm ED ø 24mm steel Qty 1 pcs for thread M14		
			
GEV No.	520230	Ref. No.	—
	nut thread M14x1.5 H 5mm WS 19 zinc-coated steel Qty 1 pcs		
			
GEV No.	521101	Ref. No.	—
	nut thread M14x1.5 H 5mm WS 19 SS Qty 1 pcs		




Table continues overleaf

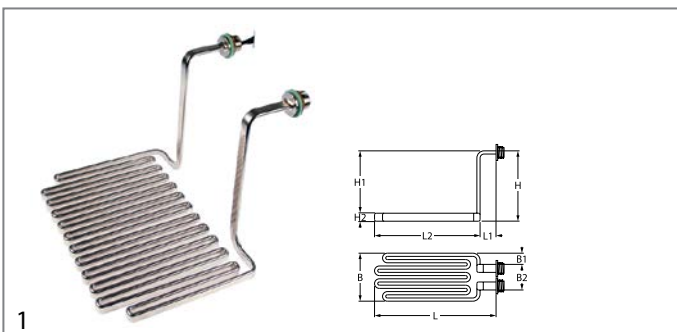


accessories for	415366		
	GEV No.	550262	Ref. No. —
	flat gasket copper ED ϕ 20mm ID ϕ 14mm thickness 2mm		



GEV No.	415792	Ref. No.	8900350
description	heating element 6000W 230/400V heating circuits 3 L 290mm W 198mm H 245mm L1 65mm L2 225mm W1 62mm W2 74mm H1 228mm H2 17mm cable length 140mm 2 hole fixing thread 3/4" connection cable fryer heaters		

accessories for	415792		
	GEV No.	510403	Ref. No. —
	flat gasket fibre ED ϕ 36.5mm ID ϕ 27mm thickness 2mm Qty 1 pcs		
	GEV No.	510421	Ref. No. —
	gasket copper ED ϕ 31.8mm ID ϕ 26.4mm thickness 2.2mm for thread 3/4"		
	GEV No.	520234	Ref. No. —
	nut thread 3/4" H 5mm brass WS 30 Qty 1 pcs		



GEV No.	418237	Ref. No.	8900351
description	heating element 9900W 400V heating circuits 3 L 326mm W 342mm H 242mm L1 68mm L2 248mm W1 65mm W2 213mm H1 225mm H2 17mm connection length 32mm cable length 135mm 2 hole fixing thread M26x1.5 mounting distance 196mm immersion heater		

heating elements for chargrills


GEV No.	415676	Ref. No.	8900326
description	heating element 400W 230V heating circuits 1 L 465mm W 8.5mm H 8.5mm dry heating element connection M4 tube ϕ 8.5mm		

GEV No.	418234	Ref. No.	8900323
description	heating element 1200W 230V heating circuits 1 L 385mm W 70mm L1 15mm W2 24mm flange length 46mm flange width 17mm hole distance 36mm connection length 55mm tube ϕ 6.5mm rectangular flange cable length 335mm thread M5 dry heating element		

heating elements for heated cabinets

GEV No.	415323	Ref. No.	8900322
description	heating element 1600W 230V heating circuits 1 L 383mm W 96mm flange length 45mm flange width 12mm hole distance 36mm tube ϕ 6.3mm cable length 290mm rectangular flange hole ϕ M5mm dry heating element L1 14mm L2 369mm W1 72mm W2 24mm		

heating elements for convection

GEV No.	418240	Ref. No.	8900327
description	heating element 1300W 230V heating circuits 1 ID ϕ 194mm ED ϕ 207mm L 217mm H 28mm L1 10mm W1 31mm H1 10mm H2 19mm flange length 70mm flange width 22mm hole distance 56mm connection male faston 6.3mm connection length 37mm tube ϕ 6.3mm convection heating element hole ϕ 6.2mm rectangular flange		
accessories for	418240		
	GEV No.	510368	Ref. No. —
	gasket L 70mm W 23.5mm hole ϕ 5mm hole distance 56mm FIBER thickness 2mm for heating element		

accessories

capillary tube clips

GEV No.	550004	Ref. No.	8900541
description	capillary tube clip for pipe ϕ 17x6mm for flat tube heating element		

clamps

GEV No.	550043	Ref. No.	8900521 8999998
description	probe clip for pipe ϕ 17x6mm for probe ϕ 6mm Qty 1 pcs		

thermostats

control and safety thermostats

EGO

control thermostats

55.13_series



GEV No.	375007	Ref. No.	8900202
description	thermostat t.max. 110°C temperature range 30-110°C 1-pole 1NO 16A probe ø 6mm probe L 113mm capillary pipe 870mm capillary pipe isolatedmm gland nut M9x1 shaft L 25mm shaft position upper rotation 270°		
accessories for	375007		
	GEV No.	110119	Ref. No. —
	knob thermostat t.max. 110°C ø 50mm shaft ø 6x4.6mm shaft flat upper black temperature range 30-110°C rotation 270°		
	GEV No.	110241	Ref. No. —
	knob thermostat t.max. 110°C ø 50mm shaft ø 6x4.6mm shaft flat upper black temperature range 30-110°C		

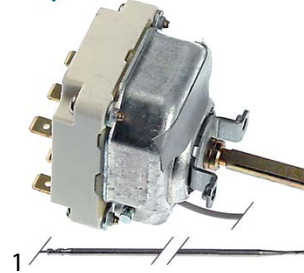


GEV No.	375005	Ref. No.	8900203
description	thermostat t.max. 85°C temperature range 30-85°C 1-pole 1NO 16A probe ø 6mm probe L 92mm capillary pipe 830mm capillary pipe isolatedmm gland nut shaft L 23mm shaft position upper rotation 270° probe material SS		
accessories for	375005		
	GEV No.	110109	Ref. No. —
	knob thermostat t.max. 85°C ø 60mm shaft ø 6x4.6mm shaft flat upper silver temperature range 30-85°C rotation 270°		
	GEV No.	110133	Ref. No. —
	knob thermostat t.max. 85°C ø 50mm shaft ø 6x4.6mm shaft flat upper black temperature range 30-85°C rotation 270°		
	GEV No.	110240	Ref. No. —
	knob thermostat t.max. 85°C ø 50mm shaft ø 6x4.6mm shaft flat upper black temperature range 30-85°C		

55.34_series



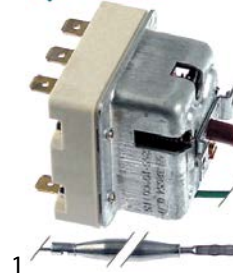
GEV No.	375512	Ref. No.	8900210
description	thermostat t.max. 185°C temperature range 95-185°C 3-pole 3NO 16A probe ø 6mm probe L 133mm capillary pipe 2430mm capillary pipe isolated 1100mm gland nut M9x1 shaft ø 6x4.6mm shaft L 23mm shaft position upper rotation 270°		



GEV No.	375693	Ref. No.	8900211
description	thermostat t.max. 250°C temperature range 48-250°C 3-pole 3NO 16A probe ø 3.1mm probe L 226mm capillary pipe 880mm capillary pipe isolated 850mm gland nut shaft ø 6x4.6mm shaft L 23mm shaft position upper rotation 318°		

safety thermostats

55.32_series



GEV No.	375694	Ref. No.	8900253
description	safety thermostat switch-off temp. 255°C 3-pole 20A probe ø 6mm probe L 77mm capillary pipe 1490mm capillary pipe isolated 1100mm gland nut probe SS		

accessories

probe clips

clamps

for thermostat



1

GEV No.	550043	Ref. No.	8900521 8999998
description	probe clip for pipe ø 17x6mm for probe ø 6mm Qty 1 pcs		

capillary tube clips



1

GEV No.	550004	Ref. No.	8900541
description	capillary tube clip for pipe ø 17x6mm for flat tube heating element		

switches and momentary switches

cam switches

on/off



1

GEV No.	300074	Ref. No.	8900301
description	cam switch 4 operating positions 2NO sequence 0-1-0-1 16A shaft ø 6x4.6mm shaft L 23mm connection male faston 6.3mm ceramic		






1

GEV No.	300021	Ref. No.	8900302
description	cam switch 4 operating positions 4NO sequence 0-1-0-1 16A shaft ø 6x4.6mm shaft L 23mm connection screw ceramic		

7-position



1



GEV No.	300025	Ref. No.	8900220	
description	cam switch 7 operating positions 1NO/2CO sequence 0-1-2-3-4-5-6 16A shaft ø 6x4.6mm shaft L 23mm connection screw 7-position ceramic			
accessories for	300025			
	GEV No.	112172	Ref. No.	—
	knob universal ø 70mm black without adaptor/dial plate			
	GEV No.	112213	Ref. No.	—
	knob dial plate silver switch 7-position t.max.°C ED ø 63mm ID ø 45.5mm			
	GEV No.	112311	Ref. No.	—
	knob adapter shaft ø 6x4.6mm L 0mm with spring			

control equipment

lamps



1

GEV No.	359606	Ref. No.	8900425	
description	neon light bulb socket Ba9s 220V 2W clear ø 10mm L 28mm			
accessories for	359606			
	GEV No.	359832	Ref. No.	—
	lamp socket mounting measurements ø16.2mm socket Ba9s connection male faston 6.3mm			
	GEV No.	359853	Ref. No.	—
	lamp socket mounting measurements ø18.2mm socket Ba9s connection male faston 6.3mm			

lamps

indicator lights

indicator lights 3-piece (housing, lens and bulb)


ø18.2mm






1

GEV No.	359855	Ref. No.	8900425
description	indicator light housings mounting measurements ø18.2mm socket Ba9s green		






1			
GEV No.	359854	Ref. No.	8900426
description	indicator light housings mounting measurements ø18.2mm socket Ba9s orange		


lamps
neon light bulbs

1				
GEV No.	359606	Ref. No.	8900425	
description	neon light bulb socket Ba9s 220V 2W clear ø 10mm L 28mm			
accessories for	359606			
	GEV No.	359832	Ref. No.	—
	lamp socket mounting measurements ø16.2mm socket Ba9s connection male faston 6.3mm			
	GEV No.	359853	Ref. No.	—
	lamp socket mounting measurements ø18.2mm socket Ba9s connection male faston 6.3mm			


screw-on/push-on fit

1				
GEV No.	359606	Ref. No.	8900425	
description	neon light bulb socket Ba9s 220V 2W clear ø 10mm L 28mm			
accessories for	359606			
	GEV No.	359832	Ref. No.	—
	lamp socket mounting measurements ø16.2mm socket Ba9s connection male faston 6.3mm			
	GEV No.	359853	Ref. No.	—
	lamp socket mounting measurements ø18.2mm socket Ba9s connection male faston 6.3mm			


contactors
ISKRA (FANAL)

1			
GEV No.	380213	Ref. No.	8900310
description	power contactor resistive load 20A 230VAC (AC3/400V) 8.5A/5.5kW main contacts 3NO auxiliary contacts 1NO connection screw connection type Fanal DSL7 10 type ISKRA K07M 10		

knobs
universal knobs

1			
GEV No.	110116	Ref. No.	8900435
description	knob thermostat t.max. 110°C ø 60mm shaft ø 6x4.6mm shaft flat upper black temperature range 30-110°C rotation 270°		

producer-specific knobs

ROKA			
1			
GEV No.	110116	Ref. No.	8900435
description	knob thermostat t.max. 110°C ø 60mm shaft ø 6x4.6mm shaft flat upper black temperature range 30-110°C rotation 270°		

baskets
fryer baskets

ROKA			
1			
GEV No.	970441	Ref. No.	8900104
description	fryer basket L1 280mm W1 210mm H1 120mm		

shelves and shelf rails
chargrill grids

1			
GEV No.	211071	Ref. No.	8900580
description	chargrill grid		

C

cam switches	6
capillary tube clips	6
clamps	6
contactors	7
control equipment	6
control thermostats	5

H

heating elements	3
heating elements for bain maries	3
heating elements for chargrills	4
heating elements for convection	4
heating elements for fryers	3
heating elements for heated cabinets	4

I

indicator lights	6
------------------	---

L

lamps	6
-------	---

N

neon light bulbs	7,7
------------------	-----

P

probe clips	6
-------------	---

S

safety thermostats	5
shelves and shelf rails	7
switches and momentary switches	6

T

thermostats	5
-------------	---