



GAS COMPONENTS



ELECTRIC COMPONENTS



WATER TECHNOLOGY



MECHANICAL COMPONENTS



TOOLS

Spare parts suitable for

SAMMIC

Find the complete and up-to-date range of products in our GEV Webshop



Manufacturer catalogue

The most important spare parts and accessories arranged clearly for every manufacturer

- ✓ Complete product range and all appliance data always up to date in the GEV Webshop
- ✓ Alphabetical Index at the end of the catalogue

GEV Webshop

www.gev-online.co.uk

www.gev-online.com



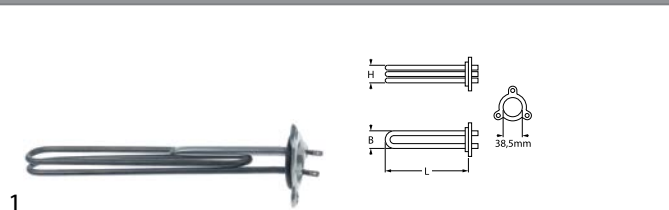
- 🔍 Add to Favourites
- 🔍 Sign In with email address and usual password
- 🔍 Easy-order – place several items in your basket at the same time
- 🔍 Quick Item search – no login needed




heating elements


immersion heating elements

3 hole flange ø38.5mm




GEV No.	420206	Ref. No.	2313132 2319211
description	heating element 2000W 230V mounting ø 38.5mm heating circuits 1 L 261mm W 33mm H 19mm number of thermostat sleeves 1 thermostat sleeves ø 7mm length thermostat sleeves 105mm thermostat sleeve eccentric, non clinging tube ø 6mm hole distance 57.5mm hole ø 10mm 3 hole flange connection male faston 6.3mm immersion heater		
For models:	P-35, P-41, SL-18, SL-20E		
accessories for	420206		
	GEV No.	Ref. No.	—
	532577		
	O-ring EPDM thickness 5.34mm ID ø 40.65mm Qty 1 pcs		

with expansion flange 40 x 17mm





GEV No.	420028	Ref. No.	2313119 2319207
description	heating element 1500W 220V flange 40x17mm L 115mm W 190mm H 24mm tube ø 8mm heating circuits 1 immersion heater		
For models:	P-35, P-41, S-41, SL-19, SL-19D, SL-20, SL-20D, SL-21, SL-21B, SL-21BD, SL-21D, SL-22, SL-22B, SL-22BD, SL-22D, SL-23, SL-23B, SL-23BP, SL-24, SL-290B, SL-350B, SL-550B, SL-550BP, X-35, X-40, X-41, X-45		


with expansion flange 70 x 18mm




GEV No.	416357	Ref. No.	2302830
description	heating element 2000W 230V heating circuits 1 flange 70x18mm L 265mm W 65mm connection M4 tube ø 8.5mm		
For models:	BM-21, E-18, E-19, LVT-18, LVT-18A, LVT-18H, SV-18, SV-18H		



GEV No.	416370	Ref. No.	2309092
description	heating element 2500W 230V heating circuits 1 flange 70x18mm L 380mm W 68mm H 30mm connection male faston 6.3mm tube ø 8mm		
For models:	E-1000, S-350, S-550, SB-350, SB-550, SC-1100, SL-650C, SL-650C-USA, SP-290, SP-350, SP-550, SP-550B, SP-800		
accessories for	416370		
	GEV No.	Ref. No.	2309053
	510429		
	gasket L 76mm W 23mm hole distance 25mm 3 holes for heating element type DB 70 without thermostat sensor hole		





GEV No.	420029	Ref. No.	2313408 2313465
description	heating element 2500W 230V heating circuits 1 flange 70x18mm L 390mm W 95mm H 29mm connection male faston 6.3mm immersion heater tube ø 8mm		
For models:	P-100, P-50, S-100, S-120, S-50, S-60, SL-1100B, SL-1100BP, SL-1200B, SL-1200BP, SL-290B, SL-350B, SL-360, SL-550, SL-550B, SL-550BP, SL-560, SL-800B, SL-810, SL-900, X-100, X-120, X-50, X-60, X-80		





GEV No.	420076	Ref. No.	2309094
description	heating element 3000W 230V heating circuits 3 flange 70x18mm L 380mm W 65mm H 28mm connection male faston 6.3mm immersion heater expansion flange for tank tube ø 6.4mm		
For models:	LV-1100, LV-1200, S-60, S-750, S-750A, SB-750, SB-750A, SC-1200, SL-1100B, SL-1100BP, SL-1200B, SL-1200BP, SL-650C, SL-900		


with round flange ø57.5mm






GEV No.	416369	Ref. No.	2309696
description	heating element 2500W 230V heating circuits 1 mounting ø 57.5mm L 255mm W 31mm H 42mm connection male faston 6.3mm tube ø 8mm thermostat sleeves ø 7mm number of thermostat sleeves 1 length thermostat sleeves 110mm thermostat sleeve centre		
For models:	E-300, LVT-19, S-20, S-21, S-23, S-41, SB-22, SB-23, SL-290B, SL-350B, SL-550B, SL-550BP, SP-23, SP-23B, SP-290, SP-350, SP-550, SP-550B, SV-19, SV-20, SV-21, SV-21B, X-35, X-40, X-41, X-45		
accessories for	416369		
	GEV No.	Ref. No.	—
	550002		
	tension strap H 10mm L 21mm W 10mm hole ø 6.5mm for heating element		





			
GEV No.	420207	Ref. No.	2319070
description	heating element 2800W 230V heating circuits 1 mounting ø 57.5mm L 297mm W 32mm H 37mm round flange connection male faston 6.3mm immersion heater tube ø 8mm connection length 32mm thermostat sleeves ø 7mm number of thermostat sleeves 1 length thermostat sleeves 110mm thermostat sleeve centre not clinging		
For models:	S-41, SL-19, SL-19D, SL-20D, SL-21BD, SL-21D, SL-22, SL-22B, SL-22BD, SL-22D, SL-23, SL-23B, SL-23BP, SL-24, SL-290B, SL-350B, SL-550B, SL-550BP, X-35, X-40, X-41, X-45		
accessories for	420207		
		GEV No. 550002 Ref. No. —	
	tension strap H 10mm L 21mm W 10mm hole ø 6.5mm for heating element		

			
GEV No.	420030	Ref. No.	2309778
description	heating element 3000W 230V heating circuits 1 mounting ø 57.5mm L 308mm W 32mm H 37mm connection male faston 6.3mm immersion heater tube ø 8mm thermostat sleeves ø 8mm number of thermostat sleeves 1 length thermostat sleeves 105mm thermostat sleeve centre		
For models:	S-290, S-350, S-50, SB-290, SB-350, SL-290B, SL-350B, SL-360, SL-550, SL-550B, SL-550BP, SL-560, SP-290, SP-350, SP-550, SP-550B, X-50		

			
GEV No.	420031	Ref. No.	2305052 2309100 2309860
description	heating element 4500W 230V heating circuits 3 mounting ø 57.5mm L 365mm W 33mm H 38mm connection male faston 6.3mm immersion heater tube ø 8mm thermostat sleeves ø 8mm number of thermostat sleeves 1 length thermostat sleeves 105mm thermostat sleeve centre		
For models:	S-550, S-60, SB-550, SL-290B, SL-350B, SL-550B, SL-550BP, SL-650C, SL-650C-USA, SL-810, SL-900, SP-290, SP-350, SP-550, SP-550B, X-60		


			
GEV No.	420036	Ref. No.	2309098
description	heating element 6000W 230V heating circuits 3 mounting ø 57.5mm L 455mm W 34mm H 40mm round flange connection male faston 6.3mm tube ø 8mm thermostat sleeves ø 8mm number of thermostat sleeves 1 length thermostat sleeves 105mm thermostat sleeve centre		
For models:	E-1000, LV-1100, P-100, S-100, S-120, S-750, S-750A, SB-750, SB-750A, SC-1100, SL-1100B, SL-1100BP, SL-1200B, SL-1200BP, SL-800B, SL-900, SP-800, SU-600, SU-750, X-100, X-120		
accessories for	420036		
		GEV No. 510409 Ref. No. —	
	O-ring EPDM thickness 5.34mm ID ø 56.52mm Qty 1 pcs		


			
GEV No.	420205	Ref. No.	2309858
description	heating element 9000W 230V heating circuits 3 mounting ø 57.5mm L 510mm W 34mm H 44mm round flange connection M4 immersion heater tube ø 8mm thermostat sleeves ø 7mm number of thermostat sleeves 1 length thermostat sleeves 110mm thermostat sleeve centre not clinging		
For models:	LV-1200, S-100, S-120, SC-1200, SL-1100B, SL-1100BP, SL-1200B, SL-1200BP, SL-900, ST, ST-1400, ST-1700, ST-2200, ST-2800, ST-3000, ST-3500, SU-600, SU-750, X-100, X-120		

			
GEV No.	420194	Ref. No.	2309746
description	heating element 1500W 230V heating circuits 1 L 190mm W 120mm H 19mm thread 1/4" mounting distance 69mm tube ø 8mm connection male faston 6.3mm immersion heater 2 hole fixing		
For models:	E-19, E-300, LVT-19, S-20, S-21, S-23, S-290, SB-22, SB-23, SB-290, SP-23, SP-23B, SP-290, SP-350, SP-550, SP-550B, SV-19, SV-20, SV-21, SV-21B		

accessories

flange gaskets


			
GEV No.	510401	Ref. No.	00003430
description	gasket rubber L 88mm W 73mm thickness 5mm hole ø 7mm hole distance 65mm for heating element 4 holes ID ø 50mm		

			
GEV No.	510429	Ref. No.	2309053
description	gasket L 76mm W 23mm hole distance 25mm 3 holes for heating element type DB 70 without thermostat sensor hole		
For models:	E-18, E-19, LVT-18, LVT-18A, LVT-18H, SV-18, SV-18H		

thermostats

bi-metal thermostats

safety bi-metal thermostats

			
GEV No.	390717	Ref. No.	2302852 2319230
description	bi-metal safety thermostat hole distance 23.8mm switch-off temp. 110°C 1NC 1-pole 16A 250V connection F6.3 2 hole fixing mounting ø 18.3mm		
For models:	E-1000, E-300, LV-1100, LV-1200, LVT-19, P-100, P-50, S-100, S-120, S-20, S-21, S-23, S-290, S-350, S-41, S-50, S-550, S-60, S-750, S-750A, SB-22, SB-23, SB-290, SB-350, SB-550, SB-750, SB-750A, SC-1100, SC-1200, SL-1100B, SL-1100BP, SL-1200B, SL-1200BP, SL-20, SL-20D, SL-21, SL-21B, SL-21BD, SL-21D, SL-22, SL-22B, SL-22BD, SL-22D, SL-23, SL-23B, SL-23BP, SL-24, SL-290B, SL-350B, SL-550B...(Other models you can see in the webshop)		



control and safety thermostats


IMIT / TEMPOMATIC / ARTERMO


control thermostats



GEV No.	375280	Ref. No.	2302850 2309068
description	thermostat t.max. 86°C temperature range 0-86°C 1-pole 1CO 16A probe ø 6.5mm probe L 98mm capillary pipe 920mm capillary pipe isolatedmm gland nut shaft ø 6x4.6mm shaft L 20mm shaft position +135° rotation 270° probe material copper		
For models:	E-1000, E-18, E-19, E-300, LV-1100, LV-1200, LV-290, LV-350, LV-550, LV-750, LV-750A, LVT-18, LVT-18A, LVT-18H, LVT-19, P-35, P-41, P-50, S-20, S-21, S-23, S-290, S-350, S-550, S-750, S-750A, SA-3000, SA-5000, SAS-5000, SAS-6000, SB-22, SB-23, SB-290, SB-350, SB-550, SB-750, SB-750A, SC-1100, SC-1200, SL-1100B, SL-1100BP, SL-1200B, SL-1200BP, SL-18, SL-19, SL-19D, SL-20, SL-20D, SL-20E, SL-21...(Other models you can see in the webshop)		

30x22mm



	GEV No.	347956	Ref. No.	2140282 2310416
description	rocker switch mounting measurements 30x22mm white 2NO 250V 20A illuminated 0-I connection male faston 6.3mm ambient temperature max. 125/55°C protection IP65 with rubber collar			
For models:	ECM, SAM-3001, SL-20E, SL-300, V-201T, V-253T			

	GEV No.	346474	Ref. No.	2310405
description	dummy element external size 30x22mm suitable for rocker switch			
For models:	SC-1100, SC-1200, SL-20, SL-21, SL-21B, SL-23, SL-23B, SL-23BP, SL-290B, SL-350B, SL-550B, SL-550BP, SP-23, SP-23B, SP-290, SP-350, SP-550, SP-550B, SV-20, SV-21, SV-21B			

switches and momentary switches


rocker/momentary rocker switches

25.5x25mm

	GEV No.	346869 ¹	Ref. No.	2306536
description	rocker switch mounting measurements 25.5x25mm green 2NO 250V 16A illuminated main switch connection male faston 6.3mm ambient temperature max. 85°C protection IP40			
For models:	LVT-19, S-21, TS-150, V-200T, V-252T			
accessories for	346869			
	GEV No.	301323	Ref. No.	—
	protective cover external size 35x35mm H 11mm transparent suitable for rocker switch mounting measurements 25.5x25mm L 35mm W 35mm			

¹illuminated


27.8x25mm


	GEV No.	347173 ¹	Ref. No.	4301649
description	momentary rocker switch mounting measurements 27.8x25mm white 2NO 250V 16A illuminated programme connection male faston 6.3mm ambient temperature max. 85°C protection IP40			
For models:	S-21, SB-22			


¹illuminated

push/momentary push switches

19x13mm


	GEV No.	347106	Ref. No.	2052737
description	momentary push switch mounting measurements 19x13mm black 1NO 250V 16A connection male faston 6.3mm ambient temperature max. 105°C protection IP65 with cover cap			
For models:	M-5, SK-3, SK-5, SK-8, SKE-3, SKE-5, SKE-8			


	GEV No.	347105	Ref. No.	2052736
description	push switch mounting measurements 19x13mm black 1NO 250V 16A connection male faston 6.3mm ambient temperature max. 85°C protection IP65 with cover cap			
For models:	SK-3, SK-5, SK-8, SKE-3, SKE-5, SKE-8			

	GEV No.	359446 ¹	Ref. No.	2052735
description	push switch mounting measurements 19x13mm yellow 2NO 250V 16A illuminated connection male faston 6.3mm ambient temperature max. 125°C protection IP65 with cover cap			
For models:	M-5, SK-3, SK-5, SK-8, SKE-3, SKE-5, SKE-8			


¹illuminated


30x22mm


			
1			
GEV No.	301274	Ref. No.	4301648
description	momentary push switch mounting measurements 30x22mm black 1NO 250V 16A connection male faston 6.3mm ambient temperature max. 85/55°C protection IP65 with cover cap		
For models:	SV-18, SV-18H		


			
1			
GEV No.	301275 ¹	Ref. No.	2306538
description	push switch mounting measurements 30x22mm orange 2NO 250V 16A illuminated connection male faston 6.3mm ambient temperature max. 85°C protection IP65 with cover cap		
For models:	E-18, E-19, E-300, LVT-18, LVT-18A, LVT-18H, S-20, SV-18, SV-18H		

¹illuminated


			
1			
GEV No.	346048	Ref. No.	2310400 2319394
description	momentary push switch mounting measurements 30x22mm black 1NO 250V 16A connection male faston 6.3mm ambient temperature max. 85/125°C protection IP40		
For models:	P-41, P-50, SC-1100, SC-1200, SL-20, SL-21, SL-21B, SL-23, SL-23B, SL-23BP, SL-290B, SL-350B, SL-550B, SL-550BP, SL-800B, SP-23, SP-23B, SP-290, SP-350, SP-550, SP-550B, SP-800, SV-20, SV-21, SV-21B		



			
1			
GEV No.	347024	Ref. No.	2310404 2319208
description	momentary push switch mounting measurements 30x22mm white 1NO/indicator light 250V 16A connection male faston 6.3mm ambient temperature max. 85/55°C protection IP40		
For models:	P-35, P-41, P-50, SA-3000, SA-5000, SAM-3000, SAS-5000, SAS-6000, SL-18, SL-19, SL-20, SL-21, SL-21B, SL-23, SL-23B, SL-23BP, SL-290B, SL-350B, SL-550B, SL-550BP, SL-800B, SP-23, SP-23B, SP-290, SP-350, SP-550, SP-550B, SP-800, SV-19, SV-20, SV-21, SV-21B		

			
1			
GEV No.	347955	Ref. No.	2310402
description	push switch mounting measurements 30x22mm black 1NO/1NC 250V 12A connection male faston 4.8mm ambient temperature max. 85°C protection IP44		
For models:	SA-3000, SA-5000, SC-1200, SL-800B, SP-800		


			
1			
GEV No.	346041 ¹	Ref. No.	2310403 2319215 6800234
description	push switch mounting measurements 30x22mm white 2NO 250V 16A illuminated connection male faston 6.3mm ambient temperature max. 85/55°C protection IP40		
For models:	P-35, P-41, P-50, SA-3000, SA-5000, SAS-5000, SAS-5001, SAS-6000, SAS-6001, SC-1100, SC-1100BP, SC-1200, SC-1200BP, SL-1100B, SL-1100BP, SL-1200B, SL-1200BP, SL-18, SL-19, SL-20, SL-21, SL-21B, SL-23, SL-23B, SL-23BP, SL-290B, SL-350B, SL-550B, SL-550BP, SL-800B, SL-900, SP-23, SP-23B, SP-290, SP-350, SP-550, SP-550B, SP-800, SU-600, SU-750, SV-19, SV-20, SV-204T, SV-21, SV-21B, SV-306T, SV-308T, SV-310S, SV-310T, SV-408T...(Other models you can see in the webshop)		

¹illuminated


			
1			
GEV No.	347107	Ref. No.	2500491 2500635
description	momentary push switch mounting measurements ø22mm black 2NO 250V 16A connection screw ambient temperature max. 85°C protection IP40 mounting ø 22mm		
For models:	BM-11, CA-300, CA-400, ES-150, M-10, M-15, M-25, M-25T, M-26, PE-15, PES-18, PES-20, PI-10, PI-18, PI-20, PI-30, PS-22, PS-32, TRX-21, TRX-22		

			
1			
GEV No.	347111	Ref. No.	2009329
description	momentary push switch mounting ø 22mm red/green 1NO/1NC 250V 10A connection screw ambient temperature max. 85°C protection IP65		
For models:	PP-12, PP-12+, PP-6, PP-6+, PPC-12, PPC-6, PPC-6+		
accessories for	347111		
	GEV No.	401709	Ref. No.
	protective cover external size 57x32mm internal size 47x22mm matt finish rubber H 27.5mm		

microswitches


			
1			
GEV No.	347443	Ref. No.	4309250
description	microswitch with lever 250V 16A 1CO connection male faston 6.3mm L 40mm ambient temperature max. 85°C actuating force: 120g		
For models:	E-18, E-19, E-300, LVT-18, LVT-18A, LVT-18H, S-20, S-21, S-23, S-290, S-350, S-550, S-750, S-750A, SB-22, SB-23, SB-290, SB-350, SB-550, SB-750, SB-750A, SV-18, SV-18H		

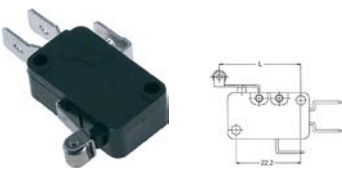


 <p>1</p>			
GEV No.	345107	Ref. No.	6420114
description	microswitch with lever 250V 16A 1CO connection male faston 6.3mm L 98mm ambient temperature max. 125°C mounting distance 22mm actuating force: 30g lever length 90mm		
For models:	BB-900		

roller-lever actuated


microswitches

 <p>1</p>			
GEV No.	346893	Ref. No.	2509359
description	microswitch with handle with a switch 250V 16A 1CO connection male faston 6.3mm ambient temperature max. 125°C mounting distance 22mm white		
For models:	BM-5		

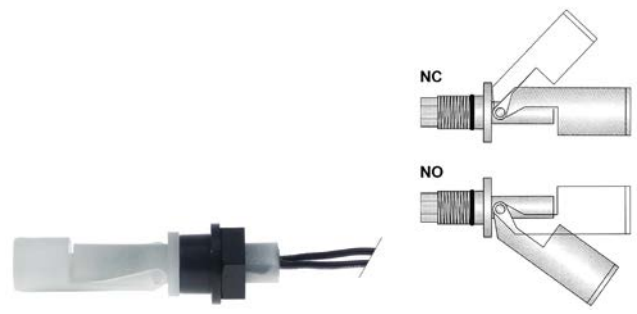
 <p>1</p>			
GEV No.	345041	Ref. No.	2509124
description	microswitch with handle with a switch 250V 16A 1CO connection male faston 6.3mm ambient temperature max. 85°C black lever length 20.5mm		
For models:	BM-11, BM-22, BM-22C, BM-22H, BM-42		

position switches

OMRON

 <p>1</p>			
GEV No.	347472	Ref. No.	2306003 2309877
description	position switch with mountign material 1NC/1NO 230V L 31mm W 30mm H 64mm protection IP67 AC-15 3A		
For models:	E-1000, LV-1100, LV-1200		

float switches


 <p>1</p>			
GEV No.	347348	Ref. No.	2310475
description	float switch thread M16x2 1NO or 1NC ø 18mm L 88.5mm mounting ø 16mm 240V 1A cable cable length 1000mm		
For models:	SC-1100BP, SC-1200BP, SL-1100B, SL-1100BP, SL-1200B, SL-1200BP, SL-23, SL-23B, SL-23BP, SL-290B, SL-350B, SL-550B, SL-550BP, SL-650C, SL-650C-USA, SL-900, SP-550BP		

rotary switches

GOTTAK

 <p>1</p>			
GEV No.	347356 ¹	Ref. No.	2309182
description	rotary switch 2 0-1 sets of contacts 2 type 4RH 400V 16A shaft ø 6x4.6mm shaft L 18mm shaft oval with knob connection male faston 6.3mm for dishwasher at 250V 16A at 400V 10A		
For models:	E-1000		

¹incl. knob

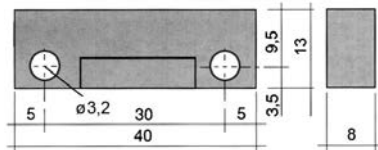
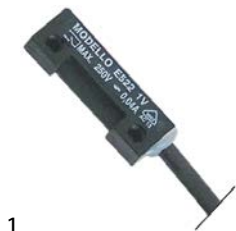
 <p>1</p>			
GEV No.	347471 ¹	Ref. No.	2309869
description	rotary switch 4 0-1-2-3 sets of contacts 4 type 4RH 400V 16A shaft ø 6x4.6mm shaft L 18mm shaft oval with knob connection male faston 6.3mm		
For models:	LV-1100, LV-1200		

¹incl. knob



magnetic switches

40x13mm



1

GEV No.	345504	Ref. No.	2050640 2050705 2319223
description	magnetic switch L 40mm W 13mm 1NO 250V 0.04A P max. 10W connection cable length 1000mm		
For models:	CA-300, CA-400, ES-100, ES-200, P-35, P-41, P-50, S-41, S-50, S-60, SA-3000, SA-5000, SAM-3000, SAM-3001, SAS-5000, SAS-6000, SL-18, SL-19, SL-19D, SL-20, SL-20D, SL-20E, SL-21, SL-21B, SL-21BD, SL-21D, SL-22, SL-22B, SL-22BD, SL-22D, SL-23, SL-23B, SL-23BP, SL-24, SL-290B, SL-300, SL-350B, SL-360, SL-550, SL-550B, SL-550BP, SL-560, SL-650C, SL-650C-USA, SL-800B, SL-810, SP-23, SP-23B, SP-290, SP-350...(Other models you can see in the webshop)		
accessories for	345504		
		GEV No.	345399
		Ref. No.	—
	magnet \varnothing 3.3mm L 40mm H 8mm W 13mm hole distance 30mm M3		



1

GEV No.	347109	Ref. No.	2009205 2059013
description	magnetic switch L 40mm W 13mm 1NO 250V 0.04A with magnet connection male faston 6.3mm cable length 440mm		
For models:	CA-300, ES-150, M-10, M-15, M-25, M-25T, M-26, PE-15, PES-18, PES-20, PI-10, PI-18, PI-20, PI-30		

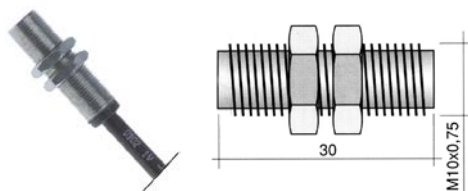
 \varnothing 6mm

1

GEV No.	347685 ¹	Ref. No.	2310471 2319434
description	magnetic switch 250V 0.04A P max. 10W probe L 29mm 1NO connection coded plug cable length 650mm		
For models:	CP-250, P-100, S-100, S-120, SC-1100, SC-1200, SL-1100B, SL-1100BP, SL-1200B, SL-1200BP, SL-900, X-100, X-120		

¹with coded connector

M10x0.75



1

GEV No.	347937	Ref. No.	2502294 2509357
description	magnetic switch thread M10x0.75 1NO 250V 0.04A P max. 10W connection Faston 6.3mm cable length 150mm		
For models:	BM-5, SK-3, SK-5, SK-8, SKE-3, SKE-5, SKE-8		

control equipment

ABB

 \varnothing 22mm

switches (complete)



1

GEV No.	347107	Ref. No.	2500491 2500635
description	momentary push switch mounting measurements \varnothing 22mm black 2NO 250V 16A connection screw ambient temperature max. 85°C protection IP40 mounting \varnothing 22mm		
For models:	BM-11, CA-300, CA-400, ES-150, M-10, M-15, M-25, M-25T, M-26, PE-15, PES-18, PES-20, PI-10, PI-18, PI-20, PI-30, PS-22, PS-32, TRX-21, TRX-22		

lamps

indicator lights

indicator lights (complete)

 \varnothing 9mm

1

GEV No.	359754	Ref. No.	2309582
description	indicator lamps set \varnothing 9mm 230V red/green connection male faston 2.8mm		
For models:	E-1000, S-290, S-350, S-550, S-750, S-750A, SB-290, SB-350, SB-550, SB-750, SB-750A		

 \varnothing 13mm

with plug-in socket



1

GEV No.	357053	Ref. No.	2309960
description	indicator lamps set \varnothing 13mm green/yellow/red 230V connection male faston 6.3mm cable length 250mm plug-in connection		
For models:	LV-1100, LV-1200		

26.5x25.6mm



1			
GEV No.	357097	Ref. No.	2306539
description	indicator light mounting measurements 27.8x25mm yellow 250V connection male faston 6.3mm		
For models:	LVT-19		

30x22mm



1			
GEV No.	357011	Ref. No.	2310401 2319316
description	indicator light mounting measurements 30x22mm 230V white connection male faston 6.3mm temp.-resist. 85°C type Marquardt 1667..		
For models:	P-50, SA-3000, SA-5000, SAM-3000, SAS-5000, SAS-6000, SC-1100, SC-1200, SL-20, SL-21, SL-21B, SL-23, SL-23B, SL-23BP, SL-290B, SL-350B, SL-550B, SL-550BP, SL-800B, SP-23, SP-23B, SP-290, SP-350, SP-550, SP-550B, SP-800, SV-20, SV-21, SV-21B		

oven lamps

universal oven lamps

mounting diameter 47.8mm



1			
GEV No.	357187	Ref. No.	6126073
description	oven lamp mounting ø 47.8mm 230V 15W socket E14 temp.-resist. 300°C connection male faston 6.3mm hard glas		
spare parts for	357187		
	GEV No.	359610	Ref. No.
	light bulb t.max. 300°C socket E14 15W 230V ø 22mm L 47mm lens L 20mm for oven lamp type Philips		
	GEV No.	359725	Ref. No.
	oven lamp glass thread ø 44mm H 43mm ø 54mm hard glas temp.-resist. 350°C		

timers

programme timers



1			
GEV No.	360710	Ref. No.	2319219
description	timer CDC 11803F1 engines 1 chambers 3 operation time 120s 230V shaft ømm shaft Lmm manif. no. 11803F1ADE000.0020		
For models:	P-35, P-41		




1			
GEV No.	360434	Ref. No.	2310454 2319396
description	timer CDC 11804F engines 1 chambers 4 operation time 180s 230V shaft ømm shaft Lmm motor type M48R ATS		
For models:	P-50, SL-23, SL-23B, SL-23BP, SL-290B, SL-350B, SL-550B, SL-550BP, SP-23, SP-23B, SP-290, SP-350, SP-550, SP-550B		



1			
GEV No.	360727	Ref. No.	2310456
description	timer CDC 11804F1 engines 1 chambers 4 operation time 216s 230V 50/60Hz shaft ømm shaft Lmm manif. no. 11804F1AFE000.0000		
For models:	SL-290B, SL-300, SL-350B, SL-550B, SL-550BP, SP-290, SP-350		




1			
GEV No.	360712	Ref. No.	2319257
description	timer CDC 11805F1 engines 1 chambers 5 operation time 120s 230V manif. no. 11805F1ADE000.0010		
For models:	P-41		




1

GEV No.	360474 ¹	Ref. No.	2305037 2309206
description	timer CDC 4902F engines 1 chambers 2 operation time 180s 230V 50/60Hz shaft ø 6x4.6mm shaft L 23mm manuf. no. 4902F1 motor type M48R ATS		
For models:	E-1000, S-550, S-750, S-750A, SB-550, SB-750, SB-750A		




1

GEV No.	360482	Ref. No.	4309181
description	timer CDC 7803 engines 1 chambers 3 operation time 120s 230V shaft ømm shaft Lmm motor type M37RN voltage AC		
For models:	LVT-18, LVT-18A, LVT-18H		




1

GEV No.	360587 ¹	Ref. No.	2309694
description	timer CDC 4903F engines 1 chambers 3 operation time 240s 230V shaft ø 6x4.6mm shaft L 23mm motor type M48R ATS type 4903F1 voltage AC		
For models:	E-18, E-19, E-300, S-23, S-290, S-350, SB-23, SB-290, SB-350		





1

GEV No.	360497	Ref. No.	2306348
description	timer CDC 7805DV engines 2 chambers 5 operation time 1min / 2min 230V 50Hz shaft ømm shaft Lmm manuf. no. 7805DV 4309 motor type M37RN/M37LN voltage AC		
For models:	LV-1100, LV-1200		




1

GEV No.	360142	Ref. No.	2309737
description	timer CDC 7803 engines 1 chambers 3 operation time 120s 230V shaft ømm shaft Lmm manuf. no. 7803F1 / 360142 motor type M37RN		
For models:	S-20, S-21, SB-22		
spare parts for	360142		
	GEV No.	360119	Ref. No. —
	motor CDC pinion ø 5.4mm teeth 12 230V turn direction right motor ø 37mm motor type M37RN for timer		



1

GEV No.	360531	Ref. No.	2310458
description	timer CDC 7807DV engines 2 chambers 7 operation time 6s / 3min 230V shaft ømm shaft Lmm motor type M37RN/M37LN voltage AC		
For models:	SC-1200, SL-800B, SP-800		



1

GEV No.	360527	Ref. No.	2310451
description	timer FIBER PWE engines 1 chambers 3 operation time 120s 230V shaft ømm shaft Lmm manuf. no. PWE5J03H316 motor type M51B-JOR00CL voltage AC		
For models:	SL-18, SL-19, SL-20E, SV-18, SV-18H, SV-19		




1

GEV No.	360472	Ref. No.	2310455
description	timer FIBER PWE engines 1 chambers 3 operation time 216s 230V shaft ømm shaft Lmm manif. no. PWE5J03F411 motor type M51B-J0R00CL		




1

GEV No.	360473	Ref. No.	2310456 (old version)
description	timer FIBER PWE engines 1 chambers 4 operation time 216s 230V 50/60Hz shaft ømm shaft Lmm manif. no. PWE5J04F412 motor type M51BJ0R00CL voltage AC		



1

GEV No.	360471	Ref. No.	2310452 old version 2319257
description	timer FIBER PWE engines 1 chambers 5 operation time 120s 230V shaft ømm shaft Lmm manif. no. PWE5J05H317 motor type M51B-J0R00CL voltage AC		




1

GEV No.	360486	Ref. No.	2309674
description	timer operation time 120s shaft ø 6x4.6mm shaft L 17mm CROUZET 50Hz 220V chambers 3 manif. no. 633/4044		
For models:	LVT-19		

contactors


ABB

power contactors




1

GEV No.	380117	Ref. No.	2600123 4038058
description	power contactor resistive load 25A 230VAC (AC3/400V) 9A/4kW main contacts 4NO auxiliary contacts connection screw connection type A9-40-00		
For models:	BM-11, E-1000, LV-1100, LV-1200, LV-290, LV-350, LV-550, LV-750, LV-750A, M-25, M-25T, PES-18, PES-20, PI-10, PI-18, PI-20, PI-30, PP-12+, PP-6+, PPC-12, PPC-6+, PS-22, PS-32, S-21, S-23, S-290, S-350, S-550, S-750, S-750A, SA-3000, SA-5000, SAM-3000, SAS-5000, SAS-6000, SB-22, SB-23, SB-290, SB-350, SB-550, SB-750, SB-750A, SC-1200, SC-1200BP, SL-1100B, SL-1100BP, SL-1200B, SL-1200BP, SL-290B, SL-350B...		



1

GEV No.	381016	Ref. No.	2304902 2319374
description	power contactor resistive load 27A 230VAC (AC3/400V) 12A/5.5kW main contacts 3NO auxiliary contacts 1NC connection screw connection type A12-30-01		
For models:	E-1000, LV-1100, LV-750, LV-750A, P-41, P-50, S-750, S-750A, SB-750, SB-750A, SC-1100, SL-1100B, SL-1100BP, SL-1200B, SL-1200BP, SL-20, SL-21, SL-21B, SL-290B, SL-350B, SL-550B, SL-550BP, SL-800B, SL-900, SP-800, SU-600, SU-750		



1

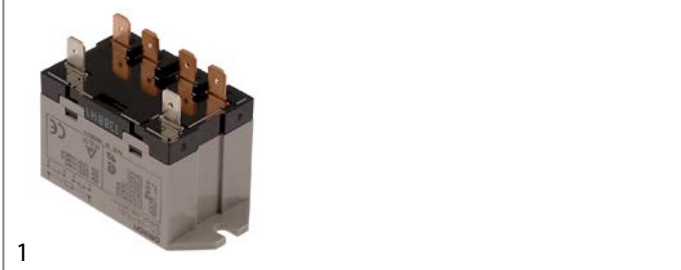
GEV No.	381453	Ref. No.	2300135 2319447
description	power contactor resistive load 30A 100-250VAC (AC3/400V) 18A/7.5kW main contacts 4 connection screw type AF16-40-00-13		
For models:	S-100, S-120, SL-1100B, SL-1100BP, SL-1200B, SL-1200BP, SL-900, ST-1700, ST-2200, ST-3000, SV-6000S, SV-606CCS, SV-606CCT, SV-606S, SV-606T, SV-806LLS, SV-806LLT, SV-806S, SV-806T, SV-810LLS, SV-810LLT, SV-810S, SV-810T, V-821LLSG, V-821SG, V-821T, X-100, X-120		



relays

power relays

with bracket mounting



GEV No.	380052	Ref. No.	2310410 2313452 2319284 2319314
description	power relays 230VAC 25A 2NO connection male faston 6.3mm flange support		
For models:	P-41, P-50, S-41, S-50, S-60, SAS-5000, SAS-5001, SAS-6000, SAS-6001, SC-1100, SC-1100BP, SC-1200BP, SL-1100B, SL-1100BP, SL-1200B, SL-1200BP, SL-18, SL-19, SL-20, SL-20D, SL-20E, SL-21, SL-21B, SL-21BD, SL-21D, SL-22, SL-22B, SL-22BD, SL-22D, SL-23, SL-23B, SL-23BP, SL-24, SL-290B, SL-300, SL-350B, SL-360, SL-550, SL-550B, SL-550BP, SL-560, SL-650C, SL-650C-USA, SL-800B, SL-810, SL-900, SP-23, SP-23B, SP-290, SP-350...(Other models you can see in the webshop)		



GEV No.	380139	Ref. No.	4301854
description	power relays FINDER 230VAC 16A 2CO connection F6.3 bracket mounting dimensions 68x38.2x35.8mm manuf. no. 62.82.8.230.0000		
For models:	E-300, S-20, SA-3000, SA-5000, SAM-3001, SC-1100, SC-1200, SL-23, SL-23B, SL-23BP, SL-290B, SL-300, SL-350B, SL-550B, SL-550BP, SL-800B, SP-290, SP-350, SP-550, SP-550B, SP-550BP, SP-800, ST-1400, ST-1700, ST-2200, ST-2800, ST-3000, ST-3500, V-401T, V-420T		



GEV No.	381198	Ref. No.	2310415
description	relay SCHRACK 230VAC 16A 3CO connection F6.3 manuf. no. RM705730		
For models:	SL-290B, SL-350B, SL-550B, SL-550BP, SP-550BP		

with male contacts

female contact 2.0mm



GEV No.	380936	Ref. No.	2050698
description	power relays 230VAC 10A 2CO plug-in connection with socket 250V connection 2mm		
For models:	CA-300, CA-400, LV-1100, LV-1200, S-23, S-290, S-350, S-550, S-750, S-750A, SB-22, SB-23, SB-290, SB-350, SB-550, SB-750, SB-750A		

probes

producer-specific probes

probes



GEV No.	378352	Ref. No.	2310459 2311663
description	temperature probe NTC 10kOhm cable silicone probe -40 up to +110°C cable -50 up to +180°C connection 2-wire thread M10 probe ø6x45mm cable length 1.1m		
For models:	P-100, S-50, S-60, SC-1100BP, SC-1200BP, SL-1100B, SL-1100BP, SL-1200B, SL-1200BP, SL-20D, SL-21BD, SL-21D, SL-22, SL-22B, SL-22BD, SL-22D, SL-24, SL-360, SL-550, SL-560, SL-650C, SL-650C-USA, SL-810, SL-900, ST, ST-1400, ST-1700, ST-2200, ST-2800, ST-3000, ST-3500, SU-600, SU-750, X-50, X-60, X-80		


electronics

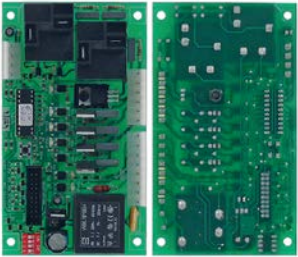
PCBs



GEV No.	401850	Ref. No.	2052738
description	PCB cutter SK3 230V		
For models:	SK-3, SKE-3		




			
1			
GEV No.	403309	Ref. No.	2319053
description	PCB dishwasher S-100/S-120/SC1100 L 140mm W 100mm Qty 1 pcs		
For models:	S-100, S-120, S-60, SC-1100BP, SC-1200BP, SL-1100B, SL-1100BP, SL-1200B, SL-1200BP, SL-650C, SL-650C-USA, SL-900, SU-600, SU-750, X-100, X-120, X-60		

			
1			
GEV No.	403884	Ref. No.	2319233
description	PCB L 140mm W 80mm		
For models:	P-100, X-35, X-40, X-41, X-45		

keypads

membrane keypads

			
1			
GEV No.	401851	Ref. No.	2149388 2504482
description	membrane keypad dough mixers BC 10 buttons 5 L 130mm W 123mm		
For models:	BE-10, BE-10C, BE-20, BE-20C, BE-20I, BE-30, BE-30C, BE-30I, BE-40, BE-40C		

solenoid valves

solenoid valves (water)





















			
TP			
			
1			
GEV No.	370015	Ref. No.	2304941 2309176 2310771
description	solenoid valve single angled 230VAC inlet 3/4" outlet 11.5mm DN10 TP		
For models:	E-1000, LV-290, LV-350, LV-550, LV-750, LV-750A, P-100, P-50, S-50, S-60, SC-1100, SC-1100BP, SC-1200, SC-1200BP, SL-1100B, SL-1100BP, SL-1200B, SL-1200BP, SL-23, SL-23B, SL-23BP, SL-290B, SL-300, SL-350B, SL-360, SL-550, SL-550B, SL-550BP, SL-560, SL-650C, SL-650C-USA, SL-800B, SL-900, SP-550BP, SU-600, SU-750, X-45, X-50, X-60		
accessories for	370015		
	GEV No.	371220	Ref. No. —
	reducer TP flow rate 3l/min red tolerance ±15%		
	GEV No.	371221	Ref. No. —
	reducer TP flow rate 5.5l/min yellow tolerance ±15%		
	GEV No.	371222	Ref. No. —
	reducer TP flow rate 6l/min grey tolerance ±15%		
	GEV No.	371223	Ref. No. —
	reducer TP flow rate 10l/min white tolerance ±15%		
	GEV No.	371224	Ref. No. —
	reducer TP flow rate 12l/min bronze tolerance ±15%		
	GEV No.	371225	Ref. No. —
	reducer TP flow rate 16l/min light brown tolerance ±15%		
	GEV No.	371226	Ref. No. —
	reducer TP flow rate 20l/min red tolerance ±15%		
	GEV No.	371230	Ref. No. —
	reducer TP flow rate 0.25l/min red tolerance ±25%		
	GEV No.	371231	Ref. No. —
	reducer TP flow rate 0.35l/min violet tolerance ±25%		
	GEV No.	371232	Ref. No. —
	reducer TP flow rate 0.5l/min orange tolerance ±25%		
	GEV No.	371233	Ref. No. —
	reducer TP flow rate 0.8l/min white tolerance ±25%		
	GEV No.	371234	Ref. No. —
	reducer TP flow rate 1l/min light blue tolerance ±25%		
	GEV No.	371235	Ref. No. —
	reducer TP flow rate 1.2l/min brown tolerance ±25%		

Table continues overleaf



accessories for		370015	
	GEV No.	371236	Ref. No. —
reducer TP flow rate 1.5l/min light brown tolerance ±25%			
	GEV No.	371237	Ref. No. —
reducer TP flow rate 2.5l/min yellow tolerance ±25%			
	GEV No.	371238	Ref. No. —
reducer TP flow rate 3.4l/min dark green tolerance ±25%			
	GEV No.	371239	Ref. No. —
reducer TP flow rate 5l/min black tolerance ±25%			
	GEV No.	371240	Ref. No. —
reducer TP flow rate 8l/min blue tolerance ±20%			

solenoid valves with reducers



1

GEV No.	370628	Ref. No.	2309744 2319241 8100265
description	solenoid valve double straight 230VAC inlet 3/4" input 16l/min DN10 TP plastic outlet 11.5mm		
For models:	LVT-18, LVT-18A, LVT-18H, LVT-19, S-21, S-23, S-41, S-50, SB-22, SB-23, SL-19D, SL-20, SL-20D, SL-21, SL-21B, SL-21BD, SL-21D, SL-22, SL-22B, SL-22BD, SL-22D, SL-23, SL-23B, SL-23BP, SL-360, SL-550, SL-560, SP-23, SP-23B, SV-18, SV-18H, SV-20, SV-21, SV-21B, X-35, X-40, X-41, X-50		



1

GEV No.	370637	Ref. No.	2319201 4300580 4309157
description	solenoid valve single straight 230VAC inlet 3/4" outlet 11.5mm input 16l/min TP 11510P C plastic flow regulating valve inlet light brown 8VA		
For models:	E-18, E-19, E-300, LV-1100, LV-1200, M-25, M-25T, M-26, P-35, P-41, PI-30, S-20, S-290, S-350, S-550, S-750, S-750A, SB-290, SB-350, SB-550, SB-750, SB-750A, SL-18, SL-19, SL-20, SL-20E, SL-21, SL-21B, SL-24, SL-810, SP-290, SP-350, SP-550, SP-550B, SP-800, SV-18, SV-18H, SV-19, SV-20, SV-21, SV-21B, X-80		

pressure switches

for warewashing

ø 58mm with male faston 6.3mm

with connection horizontal



1

GEV No.	541981	Ref. No.	2302816 2319354
description	pressure control pressure range 130/40mbar connection 6mm ø 58mm pressure connection horizontal warewashing pressure connection ø 5.5mm		
For models:	P-100, S-100, S-120, S-50, S-60, SC-1100, SC-1200, SL-1100B, SL-1100BP, SL-1200B, SL-1200BP, SL-300, SL-360, SL-550, SL-560, SL-650C-USA, SL-810, SL-900, ST, ST-1400, ST-1700, ST-2200, ST-2800, ST-3000, ST-3500, SU-600, SU-750, X-100, X-120, X-50, X-60		



1

GEV No.	541302	Ref. No.	2302815 2319212
description	pressure control pressure range 40/15mbar connection 6mm ø 58mm pressure connection horizontal warewashing		
For models:	E-1000, E-18, E-19, E-300, LV-1100, LV-1200, LV-290, LV-350, LV-550, LV-750, LV-750A, LVT-18, LVT-18A, LVT-18H, P-35, P-41, P-50, S-20, S-21, S-23, S-290, S-350, S-41, S-50, S-550, S-60, S-750, S-750A, SB-22, SB-23, SB-290, SB-350, SB-550, SB-750, SB-750A, SL-18, SL-19, SL-19D, SL-20, SL-20D, SL-20E, SL-21, SL-21B, SL-21BD, SL-21D, SL-22, SL-22B, SL-22BD, SL-22D, SL-23...(Other models you can see in the webshop)		

motors

motors

for hand blenders

motors



1

GEV No.	499329	Ref. No.	4039088
description	motor for hand blender 230V 50Hz shaft ø 6mm L 105mm W 70mm TR250 / TR-BM-250 SAMMIC		
For models:	TR-250		

pumps

wash and rinse pumps

FIR

pumps








1

GEV No.	499079	Ref. No.	2319221 4301828
description	pump inlet ø 28mm outlet ø 26mm type 2211.1610 220-240V 50Hz 1 phase 0.07kW 0.1HP rotation direction left capacitor 5µF FIR		
For models:	E-18, E-19, LVT-18, LVT-18A, LVT-18H, P-35, SL-18, SL-19, SL-19D, SL-650C, SV-18, SV-18H, SV-19, X-35		
spare parts for	499079		
	GEV No.	365017	Ref. No. —
	operating capacitor capacity 5µF 450V tolerance 5% 50/60Hz ambient temperature max. -25 to +85°C ø 28mm L 54mm M8 plastic connection male faston 6.3mm 16.10.08 protection		
	GEV No.	510384	Ref. No. —
	pump cover inlet ø 28mm outlet ø 26mm ø 100mm ID ø 76mm		
	GEV No.	510695	Ref. No. —
	mechanical shaft seal height counter ring 5.5mm ID ø 11mm		
	GEV No.	521203	Ref. No. —
	impellor ø 72mm H 18mm thread M7 shaft ø 11mm shaft length 32mm blades 3		
	GEV No.	521703	Ref. No. —
	pump cover gasket EPDM thickness 2.5mm ID ø 75mm Qty 1 pcs		

1			
GEV No.	499090	Ref. No.	2305483 2319255
description	pump inlet ø 28mm outlet ø 26mm type 2222.1900 230V 50Hz 1 phase 0.22kW 0.3HP L 191mm rotation direction left capacitor 5µF FIR		
For models:	LVT-18H, P-41, SL-20, SL-20D, SL-20E, SL-21, SL-21B, SL-21BD, SL-21D, SL-22, SL-22B, SL-22BD, SL-22D, SV-18, SV-18H, X-40		
spare parts for	499090		
	GEV No.	365017	Ref. No. —
	operating capacitor capacity 5µF 450V tolerance 5% 50/60Hz ambient temperature max. -25 to +85°C ø 28mm L 54mm M8 plastic connection male faston 6.3mm 16.10.08 protection		
	GEV No.	510384	Ref. No. —
	pump cover inlet ø 28mm outlet ø 26mm ø 100mm ID ø 76mm		
	GEV No.	510532	Ref. No. —
	impellor ø 72mm H 22mm shaft ø 11mm shaft length 32mm blades 3		
	GEV No.	510695	Ref. No. —
	mechanical shaft seal height counter ring 5.5mm ID ø 11mm		
	GEV No.	521703	Ref. No. —
	pump cover gasket EPDM thickness 2.5mm ID ø 75mm Qty 1 pcs		



1

GEV No.	499171	Ref. No.	2307070 2309686 2319271
description	pump inlet ø 30mm outlet ø 30mm type 2240.1411 230V 50Hz 1 phase 0.24kW 0.33HP L 183mm rotation direction right capacitor 10µF FIR		
For models:	S-21, S-23, S-41, SB-22, SB-23, SL-20, SL-20D, SL-21, SL-21B, SL-21BD, SL-21D, SL-22, SL-22B, SL-22BD, SL-22D, SL-23, SL-23B, SL-23BP, SL-24, SP-23, SP-23B, SV-20, SV-21, SV-21B, X-41		
spare parts for	499171		
	GEV No.	Ref. No.	—
	operating capacitor capacity 10µF 400V tolerance 5%Hz ambient temperature max. -25 to +85°C ø 35.5mm L 59mm M8 plastic connection male faston 6.3mm protection		
	GEV No.	Ref. No.	—
	impellor ø 85mm H 29mm shaft intake ø 9x8mm rotation direction right blades 6		
	GEV No.	Ref. No.	—
	mechanical shaft seal height counter ring 5.5mm ID ø 11mm		
	GEV No.	Ref. No.	—
	pump cover FIR inlet ø 30mm outlet ø 30mm turn direction right ø 128mm ID ø 100mm inner height 21mm		
	GEV No.	Ref. No.	—
	pump cover gasket		



1

GEV No.	499188	Ref. No.	2304290 2319385
description	pump inlet ø 45mm outlet ø 40mm type 2256V1425 230V 50Hz 1 phase 0.75kW 1HP L 235mm rotation direction right capacitor 16µF FIR		
For models:	SL-650C, SL-800B, SL-810, SP-800, X-80		
spare parts for	499188		
	GEV No.	Ref. No.	—
	operating capacitor capacity 16µF 425V tolerance 5% 50/60Hz ambient temperature max. -25 to +85°C ø 35mm L 73mm single M8 plastic connection male faston 6.3mm 416.10.99 protection		
	GEV No.	Ref. No.	2304290 2319385
	pump inlet ø 45mm outlet ø 40mm type 2256V1425 230V 50Hz 1 phase 0.75kW 1HP L 235mm rotation direction right capacitor 16µF FIR		
	GEV No.	Ref. No.	—
	impellor ø 103mm H 30mm shaft intake ø 9/8mm rotation direction right blades 6		
	GEV No.	Ref. No.	—
	mechanical shaft seal for shaft ø 11mm slide ring ext. ø 24mm slide ring H 13mm counter ring mounting ø 26mm height counter ring 8mm counter ring int. ø 14mm		
	GEV No.	Ref. No.	—
	pump cover FIR inlet ø 45mm outlet ø 40mm auxiliary pressure connection 10mm supporting pressure open turn direction right ø 160mm ID ø 125mm inner height 25mm		
	GEV No.	Ref. No.	—
	pump cover gasket thickness 3.5x4.5mm Qty 1 pcs		








1

GEV No.	499189	Ref. No.	2305057 2319347
description	pump inlet ø 45mm outlet ø 40mm type 3911.1428 230V 50Hz 1 phase 0.55kW 0.75HP L 211mm rotation direction right capacitor 12.5µF FIR		
For models:	LV-550, LV-750, S-60, SL-290B, SL-350B, SL-360, SL-550, SL-550B, SL-550BP, SL-560, SP-290, SP-350, SP-550, SP-550B, X-60		
spare parts for	499189		
	GEV No.	365014	Ref. No. —
	operating capacitor capacity 12.5µF 450V tolerance 5%Hz ambient temperature max. -25 to +85°C ø 35mm L 70mm M8 plastic connection male faston 6.3mm 45S.C3DS.12.5 protection		
	GEV No.	510508	Ref. No. —
	pump cover FIR inlet ø 45mm outlet ø 40mm pump type PU 0.5/3911 turn direction right ø 160mm ID ø 125mm inner height 25mm		
	GEV No.	510610	Ref. No. 2309577
	impellor ø 95.5mm H 23mm shaft intake ø 9/8mm rotation direction right seat ø 16mm blades 6		
	GEV No.	510692	Ref. No. —
	mechanical shaft seal for shaft ø 11mm slide ring ext. ø 24mm slide ring H 13mm counter ring mounting ø 26mm height counter ring 8mm counter ring int. ø 14mm		
	GEV No.	521702	Ref. No. —
	pump cover gasket thickness 3.5x4.5mm Qty 1 pcs		








1

GEV No.	499043	Ref. No.	2305895 2309532 2319334
description	pump inlet ø 45mm outlet ø 40mm type 3983.1409 230V 50Hz 1 phase 0.37kW 0.51HP L 205mm rotation direction right capacitor 12.5µF FIR incl. capacitor		
For models:	E-300, P-50, S-290, S-350, S-50, SB-290, SB-350, SL-290B, SL-300, SL-350B, SL-360, SL-550, SL-550B, SL-550BP, SL-560, SP-290, SP-350, SP-550, SP-550B, X-45, X-50		
spare parts for	499043		
	GEV No.	365014	Ref. No. —
	operating capacitor capacity 12.5µF 450V tolerance 5%Hz ambient temperature max. -25 to +85°C ø 35mm L 70mm M8 plastic connection male faston 6.3mm 45S.C3DS.12.5 protection		
	GEV No.	510607	Ref. No. —
	impellor ø 85mm H 29mm shaft intake ø 9x8mm rotation direction right blades 6		
	GEV No.	510692	Ref. No. —
	mechanical shaft seal for shaft ø 11mm slide ring ext. ø 24mm slide ring H 13mm counter ring mounting ø 26mm height counter ring 8mm counter ring int. ø 14mm		
	GEV No.	521539	Ref. No. —
	pump cover FIR inlet ø 45mm outlet ø 40mm auxiliary pressure connection 10mm supporting pressure open turn direction right ø 160mm ID ø 125mm inner height 25mm		
	GEV No.	521702	Ref. No. —
	pump cover gasket thickness 3.5x4.5mm Qty 1 pcs		



1

GEV No.	499091	Ref. No.	2307820 2309840 2319462
description	pump inlet \varnothing 60mm outlet \varnothing 47mm type 2233S1500 230V 50Hz 1 phase 0.89kW 1.22HP L 251mm rotation direction right capacitor 16 μ F FIR		
For models:	LV-1100, S-100, S-120, SC-1100, SL-1100B, SL-1100BP, SL-1200B, SL-1200BP, SL-900, X-100, X-120		
spare parts for	499091		
	GEV No.	365021	Ref. No. —
	operating capacitor capacity 16 μ F 425V tolerance 5% 50/60Hz ambient temperature max. -25 to +85°C \varnothing 35mm L 73mm single M8 plastic connection male faston 6.3mm 416.10.99 protection		
	GEV No.	510552	Ref. No. —
	pump cover gasket pump type 1292-2/3942/3981/3911/3983		
	GEV No.	510693	Ref. No. —
	mechanical shaft seal for shaft \varnothing 12mm slide ring ext. \varnothing 24mm slide ring H 15.5mm slide ring int. \varnothing 11mm counter ring mounting \varnothing 24mm height counter ring 8mm counter ring int. \varnothing 13.5mm		
	GEV No.	521067	Ref. No. 2309841
	service kit for pump type 2233S1500 impellor, pump cover gasket, mechanical shaft seal		
	GEV No.	521512	Ref. No. —
	pump cover FIR inlet \varnothing 60mm outlet \varnothing 50mm		






1

GEV No.	499187	Ref. No.	2310641 2319464
description	pump inlet \varnothing 63mm outlet \varnothing 47mm type 1226.2530 230/400V 50Hz 3 phase 1.5kW 2HP L 335mm rotation direction right FIR		
For models:	S-100, S-120, SC-1200, SL-1100B, SL-1100BP, SL-1200B, SL-1200BP, SL-900, X-100, X-120		

booster pumps I

1

	GEV No.	500359	Ref. No.	2304293 2319400 2319442
	description	pump inlet \varnothing 12 outlet \varnothing 12 type PPL46DX 230V 50Hz 0.33kW capacitor 10 μ F LGB		
	For models:	SC-1100BP, SC-1200BP, SL-1100B, SL-1100BP, SL-1200B, SL-1200BP, SL-23, SL-23B, SL-23BP, SL-290B, SL-350B, SL-550B, SL-550BP, SL-900, SP-550BP, SU-600, SU-750		
	spare parts for	500359		
	GEV No.	698663	Ref. No.	—
	impellor \varnothing 60mm H 12mm with flute shaft intake \varnothing 12mm W 60mm suitable for LGB			
	accessories for	500359		
	GEV No.	365015	Ref. No.	—
	operating capacitor capacity 10 μ F 400V tolerance 5%Hz ambient temperature max. -25 to +85°C \varnothing 35.5mm L 59mm M8 plastic connection male faston 6.3mm protection			




drain pumps

GRE




1

GEV No.	500961	Ref. No.	4309102 old version
description	drain pump inlet \varnothing 30mm outlet \varnothing 23mm 100W 230V 50Hz GRE		
accessories for	500961		
	GEV No.	524719	Ref. No. 2310294 (old Version)
	formed hose hose ext. \varnothing 40mm hose int. \varnothing 30mm L 65mm warewashing black Qty 1		

HANNING



1

GEV No.	499044	Ref. No.	4309102
description	drain pump 65W 230V inlet \varnothing 22mm outlet \varnothing 24mm 50Hz type BE20B2-089 HANNING with accessories		
For models:	P-41, P-50, S-23, S-290, S-350, S-41, S-50, S-550, S-60, S-750, S-750A, SB-22, SB-23, SB-290, SB-350, SB-550, SB-750, SB-750A, SL-20, SL-20D, SL-21, SL-21B, SL-21BD, SL-21D, SL-22, SL-22B, SL-22BD, SL-22D, SL-23, SL-23B, SL-23BP, SL-290B, SL-350B, SL-550B, SL-550BP, SL-650C, SL-800B, SL-810, SP-23, SP-23B, SP-290, SP-350, SP-550, SP-550B, SP-800, SV-20, SV-21, SV-21B, X-40, X-41...(Other models you can see in the webshop)		
spare parts for	499044		
	GEV No.	530426	Ref. No. 2310294
	formed hose L 66mm		

fuses

fine fuses



1

GEV No.	358600	Ref. No.	2140423 2149131
description	fine fuse size \varnothing 5x20mm 1A slow-acting rated 250V Qty 10 pcs		
For models:	ST-1400, ST-1700, ST-2200, ST-2800, ST-3000, ST-3500, SV-604CCS, SV-604CCT, SV-604S, SV-604T, SV-606CCS, SV-606CCT, SV-606S, SV-606T, SV-806LLS, SV-806LLT, SV-806S, SV-806T, SV-810LLS, SV-810LLT, SV-810S, SV-810T, V-401SGA, V-401T, V-402SG, V-402T, V-410SG, V-410T, V-420SA, V-420SGA, V-420T, V-421SG, V-421T, V-425SGA, V-426SG, V-426T, V-640SA, V-640SGA, V-640T, V-641SG, V-641SGA, V-641T, V-820LLSGA, V-820SGA, V-820T, V-821LLSG, V-821SG, V-821T		

fine fuse holders



1

GEV No.	358016	Ref. No.	2140280 2319232
description	fuse holder suitable fuse \varnothing 5x20mm \varnothing 14mm 4A rated 250V L 52mm W 15mm connection F6.3		
For models:	P-100, S-100, S-120, S-41, S-50, S-60, SAM-3001, SAS-5001, SAS-6001, SC-1100BP, SC-1200BP, SL-1100B, SL-1100BP, SL-1200B, SL-1200BP, SL-19D, SL-20, SL-20D, SL-21, SL-21B, SL-21BD, SL-21D, SL-22, SL-22B, SL-22BD, SL-22D, SL-24, SL-290B, SL-350B, SL-360, SL-550, SL-550B, SL-550BP, SL-560, SL-650C, SL-810, SL-900, X-100, X-120, X-35, X-40, X-41, X-45, X-50, X-60, X-80		

equipment-specific units

for meat mincers

blades

ENTERPRISE



1

GEV No.	696023	Ref. No.	2051015 6056090
description	knife type ENTERPRISE size 22 \varnothing 73mm internal size 13x13mm stainless steel		
For models:	PC-22, PC-32, PS-22		



1

GEV No.	696033	Ref. No.	2052015
description	knife type ENTERPRISE size 32 \varnothing 90mm internal size 15x15mm stainless steel		
For models:	PC-22, PC-32, PS-32		

for vegetable slicers

ejector discs



1

GEV No.	699131	Ref. No.	2050621
description	ejector disc H 15mm ϕ 190mm seat ϕ 23/28mm		
For models:	C-12, C-6, CA-300, CA-400, M-12, M-6		

cutting discs

blades smooth

blades



1

GEV No.	699186	Ref. No.	2019072
description	spare blades L 88mm W 30mm 75 suitable for SAMMIC for M-6/M-12/C-6/C-12		
For models:	C-12, C-6, CA-300, CA-400, M-12, M-6		

for bar blender

blenders

jar components

gaskets



1

GEV No.	651007	Ref. No.	6420111
description	gasket ED ϕ 75mm ID ϕ 55mm thickness 3mm Qty 1 pcs		
For models:	TB-1000		

actuators

group 3



1

GEV No.	699277	Ref. No.	6420500
description	mixer coupling ϕ 44.2mm H 22.4mm shaft diameter 6x6mm		

for hand blenders

spare parts and accessories



1

GEV No.	651044	Ref. No.	4039096
description	coupling D1 ϕ 25mm L 30mm teeth 8 int. ϕ 1 17mm		

housings



1

GEV No.	699170	Ref. No.	4039009
description	housing for gearbox black		
For models:	BM-350, BM-550, BM-750, TR-350, TR-550, TR-750		

couplings



1

GEV No.	699276	Ref. No.	4039005
description	coupling set for hand blender shaft diameter 8mm D1 ϕ 17.5mm D2 ϕ 23mm int. ϕ 1 8mm int. ϕ 2 18.5mm L1 16.6mm L2 23mm		
For models:	TR-330		



1

GEV No.	699275	Ref. No.	4039060
description	coupling set for hand blender shaft diameter 8mm D1 ϕ 17.5mm D2 ϕ 24mm int. ϕ 1 8mm int. ϕ 2 17mm L1 11.5mm L2 30mm		
For models:	BM-330, TR-BM-330		

for citrus juicers

miscellaneous



GEV No.	694416	Ref. No.	6410400
description	coupling for juicer ø 93mm H 34mm black seat ø 10mm		
For models:	LI-240		

for dishwashers

drain and intake components

SAMMIC

drain /intake bodies



GEV No.	517351	Ref. No.	2309134
description	connection angle set thread 1½" hose ø 33mm		
For models:	E-1000, E-300, LV-1100, LV-1200		



GEV No.	517350	Ref. No.	2309116
description	drain fitting complete thread 1½" ED ø 66mm ID ø 39mm		
For models:	E-1000, E-300, LV-1100, LV-1200		



GEV No.	524708	Ref. No.	2310692
description	intake body ED ø 86mm hose ø 30mm		
For models:	P-100, P-35, S-100, S-120, SC-1100, SC-1200, SL-1100B, SL-1100BP, SL-1200B, SL-1200BP, SL-18, SL-19, SL-19D, SL-20E, SL-900, SP-23, SP-23B, SP-290, SP-350, SP-550, SP-550B, SP-800, SU-600, SU-750, SV-20, SV-21, SV-21B, X-100, X-120, X-35		



GEV No.	524706	Ref. No.	2313203 2319265
description	intake body H 120mm outlet ø 44.5 outlet 2 ø 30		
For models:	P-41, P-50, S-41, S-50, S-60, SL-20, SL-20D, SL-21, SL-21B, SL-21BD, SL-21D, SL-22, SL-22B, SL-22BD, SL-22D, SL-23, SL-23B, SL-23BP, SL-24, SL-290B, SL-300, SL-350B, SL-360, SL-550, SL-550B, SL-550BP, SL-560, SL-650C, SL-650C-USA, SL-800B, SL-810, X-40, X-41, X-45, X-50, X-60, X-80		



GEV No.	524731	Ref. No.	2313202 2319264
description	opposite support ø 124mm for drain assembly		
For models:	P-41, P-50, S-41, S-50, S-60, SL-20, SL-20D, SL-21, SL-21B, SL-21BD, SL-21D, SL-22, SL-22B, SL-22BD, SL-22D, SL-23, SL-23B, SL-23BP, SL-24, SL-290B, SL-300, SL-350B, SL-360, SL-550, SL-550B, SL-550BP, SL-560, SL-650C, SL-650C-USA, SL-800B, SL-810, X-40, X-41, X-45, X-50, X-60, X-80		



GEV No.	518188	Ref. No.	2310753
description	O-ring set EPDM thickness 3/4mm ID ø 46/74mm		
For models:	SC-1100, SC-1200, SU-600, SU-750		

filters

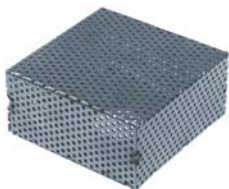


GEV No.	517345	Ref. No.	2310241 2319263
description	filter for drain assembly ø 59mm H 50mm		
For models:	P-100, P-41, P-50, S-100, S-120, S-41, S-50, S-60, SC-1100, SC-1200, SL-1100B, SL-1100BP, SL-1200B, SL-1200BP, SL-20, SL-20D, SL-21, SL-21B, SL-21BD, SL-21D, SL-22, SL-22B, SL-22BD, SL-22D, SL-23, SL-23B, SL-23BP, SL-290B, SL-350B, SL-360, SL-550, SL-550B, SL-550BP, SL-560, SL-650C, SL-650C-USA, SL-800B, SL-810, SL-900, SP-23, SP-23B, SP-290, SP-350, SP-550, SP-550B, SU-600, SU-750, SV-20, SV-21, SV-21B... (Other models you can see in the webshop)		



1

GEV No.	519528	Ref. No.	2310636
description	intake filter for dishwasher H 100mm L 160mm W 105mm		
For models:	SC-1100, SC-1200		



1

GEV No.	524745	Ref. No.	2302035
description	intake filter for dishwasher H 49mm L 100mm W 100mm		
For models:	E-19, LVT-19, S-20, S-21, ST-1400, ST-1700, ST-2200, ST-2800, ST-3000, ST-3500, SV-19		



1

GEV No.	524729	Ref. No.	2313201 2319259
description	intake filter ø 101mm H 130mm		
For models:	P-41, P-50, S-41, S-50, S-60, SL-20, SL-20D, SL-21, SL-21B, SL-21BD, SL-21D, SL-22, SL-22B, SL-22BD, SL-22D, SL-23, SL-23B, SL-23BP, SL-24, SL-290B, SL-300, SL-350B, SL-360, SL-550, SL-550B, SL-550BP, SL-560, SL-650C, SL-650C-USA, SL-800B, SL-810, X-40, X-41, X-45, X-50, X-60, X-80		



1

GEV No.	524717	Ref. No.	4301818
description	intake filter ø 42mm H 80mm		
For models:	E-18, LVT-18, LVT-18A, LVT-18H, SV-18, SV-18H		



1

GEV No.	524749	Ref. No.	2313128
description	intake filter ø 61mm L 90mm		
For models:	P-35, SL-18, SL-19, SL-19D, SL-20E, X-35		



1

GEV No.	517706	Ref. No.	2313200 2319262
description	round filters ø 145mm H 84mm plastic hole ø 46mm		
For models:	P-41, P-50, S-41, S-50, S-60, SL-20, SL-20D, SL-21, SL-21B, SL-21BD, SL-21D, SL-22, SL-22B, SL-22BD, SL-22D, SL-23, SL-23B, SL-23BP, SL-24, SL-290B, SL-300, SL-350B, SL-360, SL-550, SL-550B, SL-550BP, SL-560, SL-650C, SL-650C-USA, SL-800B, SL-810, X-40, X-41, X-45, X-50, X-60, X-80		

overflow pipes



1


GEV No.	524377	Ref. No.	2307807
description	overflow pipe L 130mm ø 40mm		
For models:	LV-1100, LV-1200		





1


GEV No.	524277	Ref. No.	4301655
description	overflow pipe L 138mm ø 32mm		
For models:	E-18, LVT-18, LVT-18A, LVT-18H, SV-18, SV-18H		





			
1			
GEV No.	524744	Ref. No.	2305064
description	overflow pipe L 140mm ø 40mm		
For models:	E-300, LV-290, LV-350, LV-550, LV-750, LV-750A, SP-23, SP-23B, SV-20, SV-21, SV-21B		


			
1			
GEV No.	524704	Ref. No.	2313207 2319307
description	overflow pipe L 194mm ø 40mm		
For models:	P-50, S-50, S-60, SL-290B, SL-350B, SL-360, SL-550, SL-550B, SL-550BP, SL-560, SL-800B, SL-810, X-45, X-50, X-60, X-80		


			
1			
GEV No.	517353	Ref. No.	2306041
description	overflow pipe L 147mm plastic ID ø 32mm ED ø 40mm thickness 3mm		
For models:	E-1000		


			
1			
GEV No.	524741	Ref. No.	2313208 2319440
description	overflow pipe L 300mm ø 40mm		
For models:	P-100, S-100, S-120, SL-1100B, SL-1100BP, SL-1200B, SL-1200BP, SL-900, X-100, X-120		


			
1			
GEV No.	524703	Ref. No.	2310332
description	overflow pipe L 155mm ø 40mm		
For models:	SP-290, SP-350, SP-550, SP-550B, SP-800		

			
1			
GEV No.	524740	Ref. No.	2310615
description	overflow pipe L 340mm ø 40mm plastic ID ø 34mm		
For models:	SC-1100, SC-1200		

			
1			
GEV No.	524743	Ref. No.	2307517 2310130
description	overflow pipe L 165mm ø 40mm		
For models:	S-23, S-290, S-350, S-550, S-750, S-750A, SB-22, SB-23, SB-290, SB-350, SB-550, SB-750, SB-750A, SV-20, SV-21, SV-21B		

			
1			
GEV No.	517705	Ref. No.	2310967
description	overflow pipe L 393mm ø 40mm plastic ID ø 34mm		
For models:	SU-600, SU-750		

			
1			
GEV No.	524742	Ref. No.	2313206 2319251
description	overflow pipe L 185mm ø 40mm		
For models:	P-41, S-41, SL-20, SL-20D, SL-21, SL-21B, SL-23, SL-23B, SL-23BP, SL-24, X-40, X-41		

			
1			
GEV No.	524714	Ref. No.	2306557 2313977 2319218
description	overflow pipe L 99mm ø 25mm		
For models:	E-19, LVT-19, P-35, S-20, S-21, SL-18, SL-19, SL-19D, SL-20E, SV-19, X-35		



1

GEV No.	524713	Ref. No.	2310242 2310419 2319261
description	overflow stock L 24mm seat ø 40mm for overflow pipe		
For models:	P-100, P-41, P-50, S-100, S-120, S-41, S-50, S-60, SC-1100, SC-1200, SL-1100B, SL-1100BP, SL-1200B, SL-1200BP, SL-20, SL-20D, SL-21, SL-21B, SL-21BD, SL-21D, SL-22, SL-22B, SL-22BD, SL-22D, SL-23, SL-23B, SL-23BP, SL-24, SL-290B, SL-300, SL-350B, SL-360, SL-550, SL-550B, SL-550BP, SL-560, SL-800B, SL-810, SL-900, SP-23, SP-23B, SP-290, SP-350, SP-550, SP-550B, SP-800, SU-600, SU-750, SV-20, SV-21...(Other models you can see in the webshop)		



1

GEV No.	524718	Ref. No.	2309654
description	overflow stock L 48mm seat ø 25mm for overflow pipe		
For models:	E-19, LVT-19, P-35, S-20, S-21, SL-18, SL-19, SL-19D, SL-20E, SV-19, X-35		

boilers

boilers for dishwashers



1

GEV No.	524699	Ref. No.	2310217
description	boiler ø 130mm L 330mm inlet ø 12mm		
For models:	SP-23, SP-23B, SV-19, SV-20, SV-21, SV-21B		



1

GEV No.	524700	Ref. No.	2313021
description	boiler ø 135mm L 330mm inlet ø 12mm		
For models:	P-41, S-41, SL-19, SL-19D, SL-20, SL-20D, SL-21, SL-21B, SL-21BD, SL-21D, SL-22, SL-22B, SL-22BD, SL-22D, SL-23, SL-23B, SL-23BP, SL-24, X-35, X-40, X-41		



1

GEV No.	524702	Ref. No.	2310316
description	boiler ø 170mm L 460mm inlet ø 12		
For models:	SC-1100, SP-550, SP-550B, SP-800		



1

GEV No.	524701	Ref. No.	2313447
description	boiler ø 175mm L 450mm inlet ø 12mm		
For models:	P-100, S-100, S-50, SL-1100B, SL-1100BP, SL-350B, SL-550, SL-550B, SL-550BP, SL-800B, X-100, X-50, X-80		

hood mechanics for dishwashers

hood handle supports



1


GEV No.	511697	Ref. No.	2310669
description	guide for hood handle mounting pos. right/left L 90mm W 56mm H 61mm set		
For models:	SC-1100, SC-1200		


rollers





1


GEV No.	517714	Ref. No.	2309897
description	roller set ø 31mm H 20mm for hood mechanics with guide plastic black hole ø 12mm		
For models:	E-1000, LV-1100, LV-1200, P-100, S-100, S-120, SC-1100, SC-1200, SL-1100B, SL-1100BP, SL-1200B, SL-1200BP, SL-900, X-100, X-120		


miscellaneous			
			
GEV No.	517719	Ref. No.	2310608 2319431
description	spare parts kit for spring L 137mm W 38mm		
For models:	P-100, S-100, S-120, SC-1100, SC-1200, SL-1100B, SL-1100BP, SL-1200B, SL-1200BP, SL-900, X-100, X-120		


air traps			
			
GEV No.	524278	Ref. No.	4309244
description	air trap L 400mm ø 8mm hose ø 5.5mm plastic		
For models:	E-18, LVT-18, LVT-18A, LVT-18H, SV-18, SV-18H		


			
GEV No.	524732	Ref. No.	2309693
description	air trap ø 44mm H 56mm thread M8x1.25 hose ø 6mm plastic		
For models:	E-19, LVT-19, P-100, S-100, S-120, S-20, S-21, S-23, SB-22, SB-23, SL-1100B, SL-1100BP, SL-1200B, SL-1200BP, SL-900, SP-23, SP-23B, SV-19, SV-20, SV-21, SV-21B, X-100, X-120		


			
GEV No.	517354	Ref. No.	2309899
description	air trap ø 44mm H 82mm thread M8 hose ø 5.5mm plastic		
For models:	E-1000		


			
GEV No.	510688	Ref. No.	2309200
description	air trap set ø 44mm H 139mm thread M8x1.25 hose ø 6.3mm plastic		
For models:	E-300, LV-1100, LV-1200, S-290, S-350, S-550, S-750, S-750A, SB-290, SB-350, SB-550, SB-750, SB-750A, SC-1100, SC-1200, SL-1100B, SL-1100BP, SL-1200B, SL-1200BP, SL-900, SP-290, SP-350, SP-550, SP-550B, SP-800, ST, ST-1400, ST-1700, ST-2200, ST-2800, ST-3000, ST-3500, SU-600, SU-750		

			
GEV No.	524750	Ref. No.	2313131
description	air trap set ø 44mm H 49mm thread M8x1.25 hose ø 6.5mm plastic		
For models:	P-35, P-41, P-50, S-41, S-50, S-60, SL-18, SL-19, SL-19D, SL-20, SL-20D, SL-20E, SL-21, SL-21B, SL-21BD, SL-21D, SL-22, SL-22B, SL-22BD, SL-22D, SL-23, SL-23B, SL-23BP, SL-24, SL-290B, SL-300, SL-350B, SL-360, SL-550, SL-550B, SL-550BP, SL-560, SL-650C, SL-650C-USA, SL-800B, SL-810, X-35, X-40, X-41, X-45, X-50, X-60, X-80		


backflow preventers			
			
GEV No.	524754	Ref. No.	2307503
description	backflow preventer L-shape hose ø 29mm		
For models:	P-50, S-100, S-120, S-23, S-290, S-350, S-41, S-50, S-550, S-60, S-750, S-750A, SB-22, SB-23, SB-290, SB-350, SB-550, SB-750, SB-750A, SC-1100, SC-1200, SL-1100B, SL-1100BP, SL-1200B, SL-1200BP, SL-20, SL-20D, SL-21, SL-21B, SL-21BD, SL-21D, SL-22, SL-22B, SL-22BD, SL-22D, SL-23, SL-23B, SL-23BP, SL-290B, SL-350B, SL-550B, SL-550BP, SL-650C, SL-650C-USA, SL-800B, SL-900, SP-23, SP-23B, SP-290, SP-350...(Other models you can see in the webshop)		


door mechanics			
			
GEV No.	524716	Ref. No.	2309224 2319278
description	door pin L 320mm thread M4 set ø 4mm		
For models:	E-300, P-41, P-50, S-23, S-290, S-350, S-41, S-50, S-550, S-60, S-750, S-750A, SB-23, SB-290, SB-350, SB-550, SB-750, SB-750A, SL-23, SL-23B, SL-23BP, SL-24, SL-290B, SL-300, SL-350B, SL-360, SL-550, SL-550B, SL-550BP, SL-560, SL-650C, SL-650C-USA, SL-800B, SL-810, SP-23, SP-23B, SP-290, SP-350, SP-550, SP-550B, SP-800, X-41, X-45, X-50, X-60, X-80		

hinges			
			
GEV No.	517715	Ref. No.	2313134
description	door hinge with bolt mounting pos. left/right ø 8mm L 72mm		
For models:	P-35, SL-18, SL-19, SL-19D, SL-20, SL-20D, SL-20E, SL-21, SL-21B, SL-21BD, SL-21D, SL-22, SL-22B, SL-22BD, SL-22D, SL-24, SL-300, SL-360, SL-550, SL-560, SL-650C, SL-650C-USA, X-35, X-40		


			
GEV No.	694538	Ref. No.	2309212
description	hinge L 72mm W 25mm mounting pos. left/right set for dishwasher Qty 1 pcs		
For models:	E-19, E-300, LVT-19, S-20, S-21, S-23, S-290, S-350, S-550, S-750, S-750A, SB-22, SB-23, SB-290, SB-350, SB-550, SB-750, SB-750A, SP-23, SP-23B, SP-290, SP-350, SP-550, SP-550B, SP-800, SV-19, SV-20, SV-21, SV-21B		

door magnets


			
GEV No.	694540	Ref. No.	2310472 2319428
description	door magnet L 63mm W 11mm H 19mm mounting distance 52mm		
For models:	P-100, S-100, S-120, SA-3000, SA-5000, SAM-3000, SAM-3001, SAS-5000, SAS-5001, SAS-6000, SAS-6001, SC-1100, SC-1200, SL-1100B, SL-1100BP, SL-1200B, SL-1200BP, SL-900, ST-1400, ST-3000, ST-3500, SU-600, SU-750, X-100, X-120		

			
GEV No.	694539	Ref. No.	2310470 2319222
description	door magnet L 63mm W 7.5mm H 19mm mounting distance 52mm		
For models:	P-35, P-41, P-50, S-41, S-50, S-60, SL-18, SL-19, SL-19D, SL-20, SL-20D, SL-20E, SL-21, SL-21B, SL-21BD, SL-21D, SL-22, SL-22B, SL-22BD, SL-22D, SL-23, SL-23B, SL-23BP, SL-24, SL-290B, SL-300, SL-350B, SL-360, SL-550, SL-550B, SL-550BP, SL-560, SL-650C, SL-650C-USA, SL-800B, SL-810, SP-23, SP-23B, SP-290, SP-350, SP-550, SP-550B, SP-800, SV-19, SV-20, SV-21, SV-21B, X-35, X-40, X-41...(Other models you can see in the webshop)		

door bumpers


			
GEV No.	511698	Ref. No.	2309566
description	door bumper set ø 15mm H 24mm mounting pos. left/right plastic		
For models:	E-300, P-41, P-50, S-23, S-290, S-350, S-41, S-50, S-550, S-60, S-750, S-750A, SB-23, SB-290, SB-350, SB-550, SB-750, SB-750A, SL-23, SL-23B, SL-23BP, SL-24, SL-290B, SL-300, SL-350B, SL-360, SL-550, SL-550B, SL-550BP, SL-560, SL-650C, SL-650C-USA, SL-800B, SL-810, SP-23, SP-23B, SP-290, SP-350, SP-550, SP-550B, SP-800, X-41, X-45, X-50, X-60, X-80		

locks

			
GEV No.	700991	Ref. No.	2309122
description	snap lock flange length 70mm flange width 22mm		
For models:	E-19, E-300, LVT-19, P-35, P-41, P-50, S-20, S-21, S-23, S-290, S-350, S-41, S-50, S-550, S-60, S-750, S-750A, SB-22, SB-23, SB-290, SB-350, SB-550, SB-750, SB-750A, SL-18, SL-19, SL-19D, SL-20, SL-20D, SL-21, SL-21B, SL-21BD, SL-21D, SL-22, SL-22B, SL-22BD, SL-22D, SL-23, SL-23B, SL-23BP, SL-24, SL-290B, SL-350B, SL-360, SL-550, SL-550B, SL-550BP, SL-560, SL-650C, SL-650C-USA...(Other models you can see in the webshop)		

washing and rinsing systems




			
GEV No.	524756	Ref. No.	2310708
description	bush for wash arm boss thickness 1.6mm H 15mm D1 ø 21mm D2 ø 15mm ID ø 12mm Qty 4 pcs		
For models:	SC-1100, SC-1200, SP-23, SP-23B, SP-290, SP-350, SP-550, SP-550B, SP-800, SV-18, SV-18H, SV-19, SV-20, SV-21, SV-21B		




			
GEV No.	524737	Ref. No.	2313127
description	rinse arm support mounting pos. upper H 21mm L 45mm hose ø 13mm		
For models:	P-35, P-41, SL-18, SL-19, SL-19D, SL-20, SL-20D, SL-20E, SL-21, SL-21B, SL-21BD, SL-21D, SL-22, SL-22B, SL-22BD, SL-22D, X-35, X-40		





washing and rinsing systems (sorted by producer)


SAMMIC


			
1			
GEV No.	524045	Ref. No.	2313274 2319294
description	wash and rinse arm mounting pos. upper/lower wash arm L 455mm rinse arm L 460mm w. jets 12 r. jets 6 mounting ø 12/45mm H 53mm L 460mm W 455mm		
For models:	SL-290B, X-45		
spare parts for	524045		
		GEV No.	517712 Ref. No. 2313126
	end cap for wash arm ø 23mm H 15mm Qty 4 pcs		
		GEV No.	517713 Ref. No. 2313125
	rinse jet set		


			
1			
GEV No.	524044	Ref. No.	2313342 2319310
description	wash and rinse arm mounting pos. upper/lower wash arm L 500mm rinse arm L 500mm w. jets 12 r. jets 6 mounting ø 12/45mm		
For models:	P-100, P-50, S-100, S-50, S-60, SL-1100B, SL-1100BP, SL-1200B, SL-1200BP, SL-300, SL-350B, SL-550, SL-550B, SL-550BP, SL-650C, SL-650C-USA, SL-800B, SL-810, SL-900, X-100, X-50, X-60, X-80		
spare parts for	524044		
		GEV No.	517712 Ref. No. 2313126
	end cap for wash arm ø 23mm H 15mm Qty 4 pcs		
		GEV No.	517713 Ref. No. 2313125
	rinse jet set		


			
1			
GEV No.	524748	Ref. No.	2313182
description	wash and rinse arm wash arm L 385mm rinse arm L 400mm w. jets 9 r. jets 4 mounting ø 20/33mm mounting pos. upper		
For models:	SL-20, SL-20D, SL-21, SL-21B, SL-21BD, SL-21D, SL-22, SL-22B, SL-22BD, SL-22D, SL-23, SL-23B, SL-23BP		


			
1			
GEV No.	524723	Ref. No.	2313178 2319252
description	wash and rinse arm wash arm L 400mm rinse arm L 400mm w. jets 9 r. jets 5 mounting ø 21/45mm mounting pos. lower		
For models:	P-41, S-41, SL-20, SL-20D, SL-20E, SL-21, SL-21B, SL-21BD, SL-21D, SL-22, SL-22B, SL-22BD, SL-22D, SL-23, SL-23B, SL-23BP, X-40, X-41		


			
1			
GEV No.	517707	Ref. No.	2313223 2319204
description	wash arm mounting pos. upper wash arm L 355mm rinse arm L 365mm w. jets 8 r. jets 5		
For models:	P-35, SL-18, SL-19, SL-19D, X-35		


			
1			
GEV No.	517712	Ref. No.	2313126
description	end cap for wash arm ø 23mm H 15mm Qty 4 pcs		
For models:	P-100, P-35, P-41, P-50, S-100, S-120, S-41, S-50, S-60, SL-1100B, SL-1100BP, SL-1200B, SL-1200BP, SL-18, SL-19, SL-19D, SL-20, SL-20D, SL-20E, SL-21, SL-21B, SL-21BD, SL-21D, SL-22, SL-22B, SL-22BD, SL-22D, SL-23, SL-23B, SL-23BP, SL-24, SL-290B, SL-300, SL-350B, SL-360, SL-550, SL-550B, SL-550BP, SL-560, SL-650C, SL-650C-USA, SL-800B, SL-810, SL-900, X-100, X-120, X-35, X-40, X-41, X-45...(Other models you can see in the webshop)		


			
1			
GEV No.	517713	Ref. No.	2313125
description	rinse jet set		
For models:	P-100, P-35, P-41, P-50, S-120, S-41, S-50, S-60, SL-1100B, SL-1100BP, SL-1200B, SL-1200BP, SL-18, SL-19, SL-19D, SL-20, SL-20D, SL-20E, SL-21, SL-21B, SL-21BD, SL-21D, SL-22, SL-22B, SL-22BD, SL-22D, SL-23, SL-23B, SL-23BP, SL-24, SL-290B, SL-300, SL-350B, SL-360, SL-550, SL-550B, SL-550BP, SL-560, SL-650C, SL-650C-USA, SL-800B, SL-810, SL-900, X-120, X-35, X-40, X-41, X-45, X-50, X-60...(Other models you can see in the webshop)		


			
1			
GEV No.	524730	Ref. No.	2313211
description	wash arm boss mounting pos. upper/lower mounting ø 21/45mm L 102mm W 80mm H 47mm		
For models:	P-100, P-35, P-41, P-50, S-100, S-41, S-50, S-60, SL-1100B, SL-1100BP, SL-1200B, SL-1200BP, SL-18, SL-19, SL-19D, SL-20, SL-20D, SL-20E, SL-21, SL-21B, SL-21BD, SL-21D, SL-22, SL-22B, SL-22BD, SL-22D, SL-23, SL-23B, SL-23BP, SL-24, SL-290B, SL-300, SL-350B, SL-360, SL-550, SL-550B, SL-550BP, SL-560, SL-650C, SL-650C-USA, SL-800B, SL-810, SL-900, X-100, X-35, X-40, X-41, X-45, X-50, X-60...(Other models you can see in the webshop)		


			
1			
GEV No.	524722	Ref. No.	2307310
description	wash and rinse arm wash arm L 465mm rinse arm L 470mm w. jets 8 r. jets 6 mounting ø 20/57mm mounting pos. upper/lower		
For models:	LV-290, S-290, SB-290, SP-290		


			
1			
GEV No.	524721	Ref. No.	2309075
description	end cap for rinse arm set 4-piece ø 10mm H 19mm		
For models:	SP-23, SP-23B, SV-18, SV-18H, SV-19, SV-20, SV-21, SV-21B		


			
1			
GEV No.	524734	Ref. No.	2309076
description	end cap for wash arm set 4-piece mounting pos. upper/lower ø 16mm H 29mm		
For models:	SC-1100, SC-1200, SP-23, SP-23B, SP-290, SP-350, SP-550, SP-550B, SP-800, SV-18, SV-18H, SV-19, SV-20, SV-21, SV-21B		

			
1			
GEV No.	517349	Ref. No.	2309080
description	rinse jet set ø 13mm H 27mm		
For models:	E-1000, E-18, E-19, E-300, LV-1100, LV-1200, LVT-18, LVT-18A, LVT-18H, S-20, S-21, S-23, S-290, S-350, S-550, S-750, S-750A, SB-22, SB-23, SB-290, SB-350, SB-550, SB-750, SB-750A, SC-1100, SC-1200, SP-23, SP-23B, SP-290, SP-350, SP-550, SP-550B, SP-800, SV-18, SV-18H, SV-19, SV-20, SV-21, SV-21B		


			
1			
GEV No.	517352	Ref. No.	2305053 2309550
description	wash arm boss L 140mm W 140mm H 48mm		
For models:	E-1000, E-19, E-300, LV-1100, S-21, S-23, S-290, S-350, S-550, S-750, S-750A, SB-22, SB-23, SB-290, SB-350, SB-550, SB-750, SB-750A, SC-1100, SP-23, SP-23B, SP-290, SP-350, SP-550, SP-550B, SP-800, SV-19, SV-20, SV-21, SV-21B		


			
1			
GEV No.	524048	Ref. No.	2304847
description	wash and rinse arm mounting pos. upper/lower wash arm L 510mm rinse arm L 500mm w. jets 9 r. jets 6 mounting ø 12/57mm complete		
For models:	E-1000, E-300, LV-1100, LV-290, LV-350, LV-550, LV-750, LV-750A, S-350, S-550, S-750, S-750A, SB-350, SB-550, SB-750, SB-750A, SC-1100, SP-350, SP-550, SP-550B, SP-800		


			
1			
GEV No.	524747	Ref. No.	2305793
description	wash and rinse arm wash arm L 365mm rinse arm L 375mm w. jets 6 r. jets 5 mounting ø 20/57mm mounting pos. lower		
For models:	E-19, SV-19		


			
1			
GEV No.	524746	Ref. No.	2305458
description	wash and rinse arm wash arm L 410mm rinse arm L 410mm w. jets 6 r. jets 5 mounting ø 20/57mm mounting pos. lower		
For models:	S-20, S-21, S-23, SB-22, SB-23, SP-23, SP-23B, SV-20, SV-21, SV-21B		





			
1			
GEV No.	517348	Ref. No.	2309218
description	wash jet set H 32mm ø 18mm		
For models:	E-1000, E-18, E-19, E-300, LV-1100, LVT-18, LVT-18A, LVT-18H, S-20, S-21, S-23, S-290, S-350, S-550, S-750, S-750A, SB-22, SB-23, SB-290, SB-350, SB-550, SB-750, SB-750A, SP-23, SP-23B, SP-290, SP-350, SP-550, SP-550B, SP-800, SV-18, SV-18H, SV-19, SV-20, SV-21, SV-21B		


			
1			
GEV No.	524276	Ref. No.	4301864
description	wash arm boss		
For models:	E-18, E-19, LVT-18, LVT-18A, LVT-18H, S-20, SV-18, SV-18H, SV-20, SV-21, SV-21B		


			
1			
GEV No.	524049	Ref. No.	4301756
description	wash arm mounting pos. lower wash arm L 375mm rinse arm L 375mm w. jets 6 r. jets 4 mounting ø 9/32mm complete		
For models:	E-18, LVT-18, LVT-18A, LVT-18H, SV-18, SV-18H		


			
1			
GEV No.	517348	Ref. No.	2309218
description	wash jet set H 32mm ø 18mm		
For models:	E-1000, E-18, E-19, E-300, LV-1100, LVT-18, LVT-18A, LVT-18H, S-20, S-21, S-23, S-290, S-350, S-550, S-750, S-750A, SB-22, SB-23, SB-290, SB-350, SB-550, SB-750, SB-750A, SP-23, SP-23B, SP-290, SP-350, SP-550, SP-550B, SP-800, SV-18, SV-18H, SV-19, SV-20, SV-21, SV-21B		


			
1			
GEV No.	524070	Ref. No.	4301758
description	wash arm mounting pos. lower wash arm L 410mm rinse arm L 415mm w. jets 6 r. jets 4 mounting ø 10/33mm complete		
For models:	LVT-18A		


			
1			
GEV No.	524724	Ref. No.	2307205
description	wash and rinse arm wash arm L 415mm rinse arm L 410mm w. jets 6 r. jets 4 mounting ø 20/33mm mounting pos. upper		
For models:	S-21, S-23, SB-22, SB-23, SV-20, SV-21, SV-21B		


			
1			
GEV No.	524734	Ref. No.	2309076
description	end cap for wash arm set 4-piece mounting pos. upper/lower ø 16mm H 29mm		
For models:	SC-1100, SC-1200, SP-23, SP-23B, SP-290, SP-350, SP-550, SP-550B, SP-800, SV-18, SV-18H, SV-19, SV-20, SV-21, SV-21B		


			
1			
GEV No.	524721	Ref. No.	2309075
description	end cap for rinse arm set 4-piece ø 10mm H 19mm		
For models:	SP-23, SP-23B, SV-18, SV-18H, SV-19, SV-20, SV-21, SV-21B		


			
1			
GEV No.	517349	Ref. No.	2309080
description	rinse jet set ø 13mm H 27mm		
For models:	E-1000, E-18, E-19, E-300, LV-1100, LV-1200, LVT-18, LVT-18A, LVT-18H, S-20, S-21, S-23, S-290, S-350, S-550, S-750, S-750A, SB-22, SB-23, SB-290, SB-350, SB-550, SB-750, SB-750A, SC-1100, SC-1200, SP-23, SP-23B, SP-290, SP-350, SP-550, SP-550B, SP-800, SV-18, SV-18H, SV-19, SV-20, SV-21, SV-21B		


			
1			
GEV No.	524734	Ref. No.	2309076
description	end cap for wash arm set 4-piece mounting pos. upper/lower ø 16mm H 29mm		
For models:	SC-1100, SC-1200, SP-23, SP-23B, SP-290, SP-350, SP-550, SP-550B, SP-800, SV-18, SV-18H, SV-19, SV-20, SV-21, SV-21B		


			
1			
GEV No.	517349	Ref. No.	2309080
description	rinse jet set ø 13mm H 27mm		
For models:	E-1000, E-18, E-19, E-300, LV-1100, LV-1200, LVT-18, LVT-18A, LVT-18H, S-20, S-21, S-23, S-290, S-350, S-550, S-750, S-750A, SB-22, SB-23, SB-290, SB-350, SB-550, SB-750, SB-750A, SC-1100, SC-1200, SP-23, SP-23B, SP-290, SP-350, SP-550, SP-550B, SP-800, SV-18, SV-18H, SV-19, SV-20, SV-21, SV-21B		


			
1			
GEV No.	524712	Ref. No.	4301665
description	wash arm boss mounting pos. upper ø 36mm L 80mm W 64mm H 34mm		
For models:	S-21, S-23, SB-22, SB-23, SP-23, SP-23B, SV-20, SV-21, SV-21B		


			
1			
GEV No.	517348	Ref. No.	2309218
description	wash jet set H 32mm ø 18mm		
For models:	E-1000, E-18, E-19, E-300, LV-1100, LVT-18, LVT-18A, LVT-18H, S-20, S-21, S-23, S-290, S-350, S-550, S-750, S-750A, SB-22, SB-23, SB-290, SB-350, SB-550, SB-750, SB-750A, SP-23, SP-23B, SP-290, SP-350, SP-550, SP-550B, SP-800, SV-18, SV-18H, SV-19, SV-20, SV-21, SV-21B		


			
1			
GEV No.	524755	Ref. No.	2313179 2319253
description	rinse arm L 400mm nozzles 4 mounting ø 12mm mounting pos. upper		
For models:	P-41, SL-20, SL-20D, SL-20E, SL-21, SL-21B, SL-21BD, SL-21D, SL-22, SL-22B, SL-22BD, SL-22D, X-40		


			
1			
GEV No.	517708	Ref. No.	2313224 2319203
description	rinse arm mounting pos. upper L 360mm nozzles 4 mounting ø 12mm		
For models:	P-35, SL-18, SL-19, SL-19D, X-35		


			
1			
GEV No.	524757	Ref. No.	2313117
description	rinse arm boss mounting pos. upper ø 12mm H 27mm		
For models:	P-35, P-41, SL-1100B, SL-1100BP, SL-1200B, SL-1200BP, SL-18, SL-19, SL-19D, SL-20, SL-20D, SL-20E, SL-21, SL-21B, SL-21BD, SL-21D, SL-22, SL-22B, SL-22BD, SL-22D, SL-900, X-35, X-40		

			
1			
GEV No.	517713	Ref. No.	2313125
description	rinse jet set		
For models:	P-100, P-35, P-41, P-50, S-120, S-41, S-50, S-60, SL-1100B, SL-1100BP, SL-1200B, SL-1200BP, SL-18, SL-19, SL-19D, SL-20, SL-20D, SL-20E, SL-21, SL-21B, SL-21BD, SL-21D, SL-22, SL-22B, SL-22BD, SL-22D, SL-23, SL-23B, SL-23BP, SL-24, SL-290B, SL-300, SL-350B, SL-360, SL-550, SL-550B, SL-550BP, SL-560, SL-650C, SL-650C-USA, SL-800B, SL-810, SL-900, X-120, X-35, X-40, X-41, X-45, X-50, X-60...(Other models you can see in the webshop)		

			
1			
GEV No.	524072	Ref. No.	4301762
description	rinse arm mounting pos. upper L 364mm nozzles 4 mounting ø 9.5mm W 20mm		
For models:	E-18, E-19, LVT-18, LVT-18A, LVT-18H, SV-18, SV-18H, SV-19		


			
1			
GEV No.	524071	Ref. No.	4301764
description	rinse arm mounting pos. upper L 400mm nozzles 4 mounting ø 10mm		
For models:	LVT-18A, S-20, SV-20, SV-21, SV-21B		

			
1			
GEV No.	524275	Ref. No.	4301858
description	rinse arm boss		
For models:	E-18, LVT-18, LVT-18A, LVT-18H, SV-18, SV-18H, SV-19, SV-20, SV-21, SV-21B		




1

GEV No.	517349	Ref. No.	2309080
description	rinse jet set ø 13mm H 27mm		
For models:	E-1000, E-18, E-19, E-300, LV-1100, LV-1200, LVT-18, LVT-18A, LVT-18H, S-20, S-21, S-23, S-290, S-350, S-550, S-750, S-750A, SB-22, SB-23, SB-290, SB-350, SB-550, SB-750, SB-750A, SC-1100, SC-1200, SP-23, SP-23B, SP-290, SP-350, SP-550, SP-550B, SP-800, SV-18, SV-18H, SV-19, SV-20, SV-21, SV-21B		




1

GEV No.	517717	Ref. No.	2319019
description	end cap set 2-piece thread M12x1.5 H 8mm WS 13		
For models:	SU-600, SU-750		




1

GEV No.	517716	Ref. No.	2311569
description	rinse jet H 17mm thread 1/8" WS 13		
For models:	ST, ST-1400, ST-1700, ST-2200, ST-2800, ST-3000, ST-3500		



1

GEV No.	542379	Ref. No.	2313419
description	wash arm boss L 100mm W 100mm H 45.5mm mounting ø 16mm		
For models:	SL-1100B, SL-1100BP, SL-1200B, SL-1200BP, SL-900		




1

GEV No.	517709	Ref. No.	2319060
description	wash arm boss mounting pos. upper L 90mm W 65mm H 38mm		
For models:	S-41, SL-20, SL-20D, SL-21, SL-21B, SL-21BD, SL-21D, SL-22, SL-22B, SL-22BD, SL-22D, SL-23, SL-23B, SL-23BP, SL-24, X-41		




1

GEV No.	517410	Ref. No.	2309849
description	wash jet set H 32mm ø 18mm		
For models:	LV-1200, SC-1100, SC-1200		




1

GEV No.	524728	Ref. No.	2310249
description	opposite support for wash arm support mounting pos. lower H 73mm suitable for SAMMIC		
For models:	SP-23, SP-23B, SP-290, SP-350, SP-550, SP-550B, SP-800, SV-20, SV-21, SV-21B		




1

GEV No.	524710	Ref. No.	2313129
description	opposite support for wash arm support mounting pos. lower ø 82mm H 79mm suitable for SAMMIC		
For models:	P-35, P-41, SL-18, SL-19, SL-19D, SL-20, SL-20D, SL-20E, SL-21BD, SL-21D, SL-22, SL-22B, SL-22BD, SL-22D, X-35, X-40		




1


GEV No.	524709	Ref. No.	2310745
description	opposite support for wash arm support mounting pos. lower thread 1/4" H 59mm suitable for SAMMIC		
For models:	SC-1100		





1


GEV No.	517344	Ref. No.	2319061
description	opposite support mounting pos. lower thread 1/2" H 65mm with ring gasket		
For models:	P-50, S-41, S-50, S-60, SL-20D, SL-21, SL-21B, SL-21BD, SL-21D, SL-22, SL-22B, SL-22BD, SL-22D, SL-23, SL-23B, SL-23BP, SL-24, SL-290B, SL-350B, SL-360, SL-550, SL-550B, SL-550BP, SL-560, SL-800B, X-41, X-45, X-50, X-60, X-80		


			
1			
GEV No.	524725	Ref. No.	2309727
description	wash arm support mounting pos. lower H 168mm		
For models:	E-19, S-20, S-21, S-23, SB-22, SB-23, SP-23, SP-23B, SV-19, SV-20, SV-21, SV-21B		


			
1			
GEV No.	524707	Ref. No.	2313151 2319205
description	wash arm support mounting pos. lower ø 82mm H 116mm		
For models:	P-100, P-35, P-41, S-100, S-41, SL-1100B, SL-1100BP, SL-1200B, SL-1200BP, SL-18, SL-19, SL-19D, SL-20, SL-20D, SL-20E, SL-21, SL-21B, SL-21BD, SL-21D, SL-22, SL-22B, SL-22BD, SL-22D, SL-23, SL-23B, SL-23BP, SL-24, SL-900, X-100, X-35, X-40, X-41		


			
1			
GEV No.	524758	Ref. No.	2310746
description	wash arm support mounting pos. lower ø 92mm H 102mm		
For models:	SC-1100		


			
1			
GEV No.	517342	Ref. No.	2313214 2319309
description	wash arm support mounting pos. lower thread 1 1/2" ø 44mm H 128mm		
For models:	P-50, S-50, S-60, SL-290B, SL-300, SL-350B, SL-360, SL-550, SL-550B, SL-550BP, SL-560, SL-650C, SL-650C-USA, SL-800B, SL-810, X-45, X-50, X-60, X-80		


			
1			
GEV No.	524715	Ref. No.	4309242
description	wash arm support mounting pos. upper H 40mm L1 53mm		
For models:	E-18, E-19, LVT-18, LVT-18A, LVT-18H, S-20, SV-18, SV-18H, SV-19, SV-20, SV-21, SV-21B		


			
1			
GEV No.	517343	Ref. No.	2319059
description	wash arm support mounting pos. upper ø 30mm H 49.5mm		
For models:	P-50, S-50, S-60, SL-290B, SL-350B, SL-360, SL-550, SL-550B, SL-550BP, SL-560, SL-650C, SL-650C-USA, SL-800B, X-45, X-50, X-60, X-80		

			
1			
GEV No.	524753	Ref. No.	2309729
description	wash arm support mounting pos. upper ø 61mm H 73mm		
For models:	S-21, S-23, SB-22, SB-23, SP-23, SP-23B, SV-20, SV-21, SV-21B		

			
1			
GEV No.	517710	Ref. No.	2319062
description	wash arm support mounting pos. upper ø 61mm H 79mm		
For models:	S-41, SL-20, SL-20D, SL-21, SL-21B, SL-21BD, SL-21D, SL-22, SL-22B, SL-22BD, SL-22D, SL-23, SL-23B, SL-23BP, SL-24, X-41		


			
1			
GEV No.	524711	Ref. No.	2309110
description	wash arm support mounting pos. upper ø 88mm H 49mm		
For models:	E-300, S-290, S-350, S-550, S-750, S-750A, SB-290, SB-350, SB-550, SB-750, SB-750A, SP-290, SP-350, SP-550, SP-550B, SP-800		

			
1			
GEV No.	524727	Ref. No.	4309240
description	wash arm support set mounting pos. lower H 120mm		
For models:	E-18, LVT-18, LVT-18A, LVT-18H, SV-18, SV-18H		

			
1			
GEV No.	524735	Ref. No.	2309064
description	gasket set for wash arm support		
For models:	SC-1100, SC-1200, SP-23, SP-23B, SP-290, SP-350, SP-550, SP-550B, SP-800, SV-18, SV-18H, SV-19, SV-20, SV-21, SV-21B		




rinse arm shafts

			
1			
GEV No.	524720	Ref. No.	2313219 2319206
description	rinse arm shaft mounting pos. lower ø 12mm H 71mm thread M12x1.75 thread L 13mm		
For models:	P-100, P-35, P-41, P-50, S-120, S-41, S-50, S-60, SL-1100B, SL-1100BP, SL-1200B, SL-1200BP, SL-18, SL-19, SL-19D, SL-20, SL-20D, SL-20E, SL-21, SL-21B, SL-21BD, SL-21D, SL-22, SL-22B, SL-22BD, SL-22D, SL-23, SL-23B, SL-23BP, SL-24, SL-290B, SL-300, SL-350B, SL-360, SL-550, SL-550B, SL-550BP, SL-560, SL-650C, SL-650C-USA, SL-800B, SL-810, SL-900, X-120, X-35, X-40, X-41, X-45, X-50, X-60...(Other models you can see in the webshop)		

for vacuum packers

PTFE tapes

			
1			
GEV No.	692724	Ref. No.	2141762 2141772 2149002 2149048 2149101
description	PTFE tape W 60mm thickness 0.2mm L 1100mm Qty 1		
For models:	SV-204T, SV-204T-120V, SV-306T, SV-306T-120V, SV-308T, SV-308T-120V, SV-310S, SV-310S-120V, SV-310T, SV-310T-120V, SV-408T, SV-410S, SV-410S-120V, SV-410T, SV-410T-120V, SV-418T, SV-420S, SV-420S-120V, SV-420T, SV-420T-120V, SV-520S, SV-520S-120V, SV-520T, SV-520T-120V, SV-6000S, SV-604CCS, SV-604CCT, SV-604S, SV-604T, SV-606CCS, SV-606CCT, SV-606S, SV-606T, SV-806LLS, SV-806LLT, SV-806S, SV-806T, SV-810LLS, SV-810LLT, SV-810S, SV-810T, V-201T, V-252T, V-253T, V-401SGA, V-401T, V-402SG, V-402T, V-410SG, V-410T...(Other models you can see in the webshop)		


sealing bars

silicone stips

			
1			
GEV No.	699278	Ref. No.	2143353 2149031 2149202
description	silicon insert L 416mm W 17mm H 8mm		
For models:	V-401SGA, V-401T, V-402SG, V-402T, V-410SG, V-410T, V-420SA, V-420SGA, V-420T, V-421SG, V-421T, V-425SGA, V-425T, V-426SG, V-426T, V-640SA, V-640SGA, V-640T, V-641SG, V-641T		

knobs

producer-specific knobs

			
1			
SAMMIC			
GEV No.	111400	Ref. No.	2304989 2309024 2309580 2509157
description	knob set zero mark ø 41mm shaft ø 6x4.6mm grey, red		
For models:	BM-11, BM-21, BM-22, BM-22C, BM-22H, BM-42, LV-1100, LV-1200, LV-290, LV-350, LV-550, LV-750, LV-750A, LVT-19, M-5, P-12, S-23, S-290, S-350, S-550, S-750, S-750A, SB-22, SB-23, SB-290, SB-350, SB-550, SB-750, SB-750A, TRX-21, TRX-22, V-401SGA, V-401T, V-402SG, V-402T, V-410SG, V-410T, V-420SA, V-420SGA, V-420T, V-421SG, V-421T, V-425SGA, V-425T, V-426SG, V-426T, V-640SA, V-640SGA, V-640T, V-641SG...(Other models you can see in the webshop)		

locks

snap locks

producer-specific

			
1			
SAMMIC			
GEV No.	700991	Ref. No.	2309122
description	snap lock flange length 70mm flange width 22mm		
For models:	E-19, E-300, LVT-19, P-35, P-41, P-50, S-20, S-21, S-23, S-290, S-350, S-41, S-50, S-550, S-60, S-750, S-750A, SB-22, SB-23, SB-290, SB-350, SB-550, SB-750, SB-750A, SL-18, SL-19, SL-19D, SL-20, SL-20D, SL-21, SL-21B, SL-21BD, SL-21D, SL-22, SL-22B, SL-22BD, SL-22D, SL-23, SL-23B, SL-23BP, SL-24, SL-290B, SL-350B, SL-360, SL-550, SL-550B, SL-550BP, SL-560, SL-650C, SL-650C-USA...(Other models you can see in the webshop)		

hinges

oven hinges

			
1			
GEV No.	700904	Ref. No.	6126028
description	oven hinge mounting distance 154mm lever length 91mm spring thickness 3mm with opposite support zinc-coated steel distance C 14mm left/right		

door bearing



GEV No.	694538	Ref. No.	2309212
description	hinge L 72mm W 25mm mounting pos. left/right set for dishwasher Qty 1 pcs		
For models:	E-19, E-300, LVT-19, S-20, S-21, S-23, S-290, S-350, S-550, S-750, S-750A, SB-22, SB-23, SB-290, SB-350, SB-550, SB-750, SB-750A, SP-23, SP-23B, SP-290, SP-350, SP-550, SP-550B, SP-800, SV-19, SV-20, SV-21, SV-21B		

baskets

warewashing baskets

steel wire baskets square

mix baskets



GEV No.	971002 ¹	Ref. No.	4301923
description	mix basket L 350mm W 350mm H 165mm mesh type wide-meshed		

¹wide-meshed

GEV No.	970068 ¹	Ref. No.	2309733
description	mix basket L 400mm W 400mm H 170mm		

spare parts for 970068

GEV No.	970001	Ref. No.	—
description	sliding corner wire gauge ø 5mm L 120mm W 120mm H 12mm L-shape		

¹wide-meshed

GEV No.	971029 ¹	Ref. No.	2307320
description	mix basket L 450mm W 450mm H 120mm mesh type wide-meshed		

¹wide-meshed

plate baskets



GEV No.	971032	Ref. No.	2307315
description	plate basket L 450mm W 450mm H 95mm plates 14 plate ø 230mm		

plastic baskets square

mix baskets



GEV No.	971058	Ref. No.	2302612
description	mix basket L 350mm W 350mm H 150mm		



GEV No.	971078	Ref. No.	2305468
description	mix basket L 400mm W 400mm H 150mm		

plate baskets



GEV No.	970693	Ref. No.	2307028
description	plate basket L 400mm W 400mm		

accessories


cutlery inserts



GEV No.	976016	Ref. No.	2302615
description	cutlery insert L 110mm W 110mm ømm H 130mm		



GEV No.	970349	Ref. No.	2302617
description	cutlery insert L 130mm W 57mm ømm H 110mm		

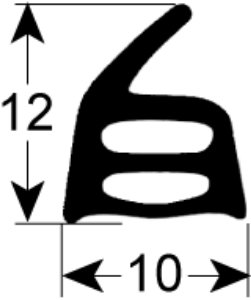
1

GEV No.	972032	Ref. No.	5300125
description	cutlery insert L 430mm W 205mm ømm H 150mm		

gaskets

gaskets for heated units

door seals with fixing hook




1

GEV No.	902326	Ref. No.	6121548 GUA029
description	oven gasket external size L 460mm W 370mm with 6 mounting clips		
For models:	HP-434		

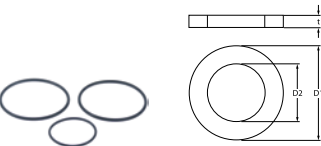
O-rings

EPDM



1

GEV No.	532631	Ref. No.	2309051
description	O-ring EPDM thickness 8mm ID ø 52mm Qty 2 pcs		
For models:	E-1000, E-300, LV-1100, LV-1200, S-21, S-23, S-290, S-350, S-550, S-750, S-750A, SB-22, SB-23, SB-290, SB-350, SB-550, SB-750, SB-750A, SC-1100, SC-1200, SP-23, SP-23B, SP-290, SP-350, SP-550, SP-550B, SP-800, ST, ST-1400, ST-1700, ST-2200, ST-2800, ST-3000, ST-3500, SU-600, SU-750, SV-19, SV-20, SV-21, SV-21B		




1

GEV No.	518188	Ref. No.	2310753
description	O-ring set EPDM thickness 3/4mm ID ø 46/74mm		
For models:	SC-1100, SC-1200, SU-600, SU-750		

sealing washers

silicone gaskets




1

GEV No.	651007	Ref. No.	6420111
description	gasket ED ø 75mm ID ø 55mm thickness 3mm Qty 1 pcs		
For models:	TB-1000		

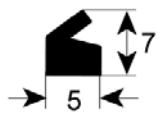
special gaskets

for vacuum packers



1


GEV No.	902405	Ref. No.	2149075 2149217
description	lid gasket H 10mm W 7mm L 2430mm		
For models:	SV-520S, SV-520S-120V, SV-520T, SV-520T-120V, SV-604CCS, SV-604CCT, SV-604S, SV-604T, SV-606CCS, SV-606CCT, SV-606S, SV-606T, V-425SGA, V-425T, V-426SG, V-426T, V-640SA, V-640SGA, V-640T, V-641SG, V-641SGA, V-641T		



1

GEV No.	901259	Ref. No.	2149004 2149144
description	lid gasket silicone Qty 1700mm for vacuum packing machine		
For models:	SK-3, SK-5, SK-8, SKE-3, SKE-5, SKE-8, SV-204T, SV-204T-120V, SV-306T, SV-306T-120V, SV-308T, SV-308T-120V, SV-310S, SV-310S-120V, SV-310T, SV-310T-120V, SV-410S, SV-410T-120V, SV-420S, SV-420T-120V, V-200T, V-401SGA, V-401T, V-402SG, V-402T, V-410SG, V-410T, V-420SA, V-420SGA, V-420T, V-421SG, V-421T		

miscellaneous



1

GEV No.	524735	Ref. No.	2309064
description	gasket set for wash arm support		
For models:	SC-1100, SC-1200, SP-23, SP-23B, SP-290, SP-350, SP-550, SP-550B, SP-800, SV-18, SV-18H, SV-19, SV-20, SV-21, SV-21B		

transmission technology and ball bearings

drive belts

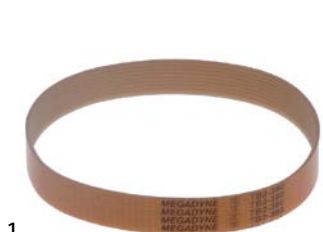
toothed belts



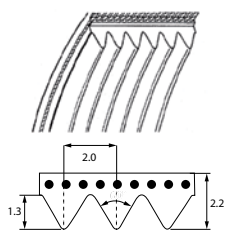
1

GEV No.	699398	Ref. No.	2502217
description	toothed belt L 609.6mm belt width 12.7mm H 2.3mm teeth 120 CODE 240XL050		
For models:	BM-5		

poly-v belts



1



GEV No.	697367	Ref. No.	6052520
description	poly-v belt grooves 8 W 16mm L 330mm profile TB2		
For models:	GC-275		

springs

gas tension springs

gas tension springs



1

GEV No.	701576	Ref. No.	2141581 2142331 2149533
description	gas tension spring for vacuum packing machine 395N D1 ø 15.8mm D2 ø 6mm hole distance 145mm hole ø 6mm L 160mm		
For models:	SV-204T, SV-204T-120V, SV-306T, SV-306T-120V, SV-308T, SV-308T-120V, SV-310S, SV-310S-120V, SV-310T, SV-310T-120V, SV-408T, SV-410S, SV-410S-120V, SV-410T, SV-410T-120V, SV-418T, SV-420S, SV-420S-120V, SV-420T, SV-420T-120V, SV-520S, SV-520S-120V, SV-520T, SV-520T-120V, V-402SG, V-402T, V-410SG, V-410T, V-421SG, V-421T, V-426SG, V-426T		

tension springs



1

GEV No.	701129	Ref. No.	2310609 2319432
description	tension spring ø 38mm total length 570mm wire gauge ø 5mm for hood		
For models:	P-100, S-100, S-120, SC-1100, SC-1200, SL-1100B, SL-1100BP, SL-1200B, SL-1200BP, SL-900		

dosing pumps

peristaltic dosing pumps





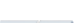
GERMAC

built-in version

with frequency control



1

GEV No.	361620	Ref. No.	2310293
description	dosing pump GERMAC frequency control 2.5l/h 230VAC detergent hose ø 4x6mm hose thermoplastic type G252 dimensions 62x70x-93mm		
For models:	SC-1100, SC-1200, SL-290B, SL-350B, SL-550B, SL-550BP, SP-23, SP-23B, SP-290, SP-350, SP-550, SP-550B, SP-800, SU-600, SU-750, SV-18, SV-18H, SV-19, SV-20, SV-21, SV-21B		
spare parts for	361620		
	GEV No.	361263	Ref. No. —
	roller assembly GERMAC suitable for G80/82/150/152/200/202/250/252/600		
	GEV No.	361554	Ref. No. —
	pump hose GERMAC detergent hose type thermoplastic hose ø 5x8mm for model G200/G250/G252		
	GEV No.	361556	Ref. No. —
	control PCB type G82/G152/G202/G252 GERMAC		
accessories for	361620		
	GEV No.	520090	Ref. No. —
	PVC hose ID ø 4mm ED ø 6mm L 2m thickness 1mm t.max. 60°C transparent		
	GEV No.	520091	Ref. No. —
	nylon hose ID ø 4mm ED ø 6mm L 2m thickness 1mm operating p. 10bar burst p. 50bar t.max. 100°C transparent		

membrane dosing pumps

self-priming with supporting pressure

GERMAC

type 2000



1












GEV No.	361547	Ref. No.	N/A
description	dosing pump type 2000 rinse aid inlet 4x6mm outlet 8mm suction connection ø PVC 4x6mm supporting pressure M12x1 rebound ball PTFE 1mm GERMAC CODE VNR/D1		
spare parts for	361547		
	GEV No.	361550	Ref. No. —
	hose connector hose ø 4x6mm		

Table continues overleaf



spare parts for 361547	
	GEV No. 361551 Ref. No. — compression spring wire gauge ø 1mm
	GEV No. 361701 Ref. No. — hose connector thread M10x1 grommet ø 7.5mm
	GEV No. 361705 Ref. No. — gasket for hose connector M12x1
	GEV No. 510298 Ref. No. — lip valve dosing pump suitable for DB2/DS5
accessories for 361547	
	GEV No. 361553 Ref. No. — membrane EPDM
	GEV No. 361702 Ref. No. — hose connector brass hose ø 4x6mm
	GEV No. 361703 Ref. No. — hose connector thread M10x1 brass pipe connection ø 4x6mm
	GEV No. 361704 Ref. No. — hose connector brass straight thread M12x1 hose ø 11mm Qty 1 pcs
	GEV No. 510296 Ref. No. — membrane silicone
	GEV No. 520022 Ref. No. — PVC hose ID ø 8mm ED ø 12mm L 10m thickness 2mm t.max. 60°C transparent


hoses

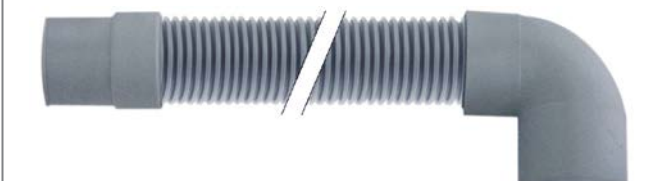
supply hoses

PVC supply hoses

	1
GEV No. 520010	Ref. No. 2309745
description	supply hose PVC straight-curved DN13 connections 3/4" L 1500mm operating p. 10bar burst p. 32bar t.max. 90°C blue approval VDE flat seal
For models:	E-18, E-19, LVT-18, LVT-18A, LVT-18H, LVT-19, P-35, P-41, P-50, S-20, S-21, S-23, S-41, S-50, S-60, SB-22, SB-23, SL-18, SL-19, SL-19D, SL-20, SL-20D, SL-20E, SL-21, SL-21B, SL-21BD, SL-21D, SL-22, SL-22B, SL-22BD, SL-22D, SL-23, SL-23B, SL-23BP, SL-290B, SL-300, SL-350B, SL-360, SL-550, SL-550B, SL-550BP, SL-560, SL-650C, SL-650C-USA, SP-23, SP-23B, SV-18, SV-18H, SV-19, SV-20...(Other models you can see in the webshop)
accessories for 520010	
	GEV No. 520053 Ref. No. — screen connection 3/4" D1 ø 26mm D2 ø 15mm Qty 10 pcs rubber thickness 8mm
	GEV No. 520054 Ref. No. — flat gasket rubber ED ø 23.5mm ID ø 14mm thickness 2.3mm Qty 10 pcs



drain hoses


	1
GEV No. 530608	Ref. No. 2305113
description	drain hose DN24 L 1500mm A int. ø 24mm A ext. ø 28mm B int. ø 28mm B ext. ø 35mm outer hose ø 29mm temp.-resist. 90°C
For models:	E-18, E-19, E-300, LV-290, LV-350, LV-550, LV-750, LV-750A, LVT-18, LVT-18A, LVT-18H, LVT-19, S-20, S-21, S-23, S-290, S-350, S-550, S-750, S-750A, SB-22, SB-23, SB-290, SB-350, SB-550, SB-750, SB-750A, SC-1100, SC-1200, SL-1100B, SL-1100BP, SL-1200B, SL-1200BP, SL-900, SP-23, SP-23B, SP-290, SP-350, SP-550, SP-550B, SP-800, SU-600, SU-750, SV-18, SV-18H, SV-19, SV-20, SV-21, SV-21B

	1
GEV No. 530571	Ref. No. 2305114 2319227
description	drain hose DN24 L 1500mm straight ø inside 24mm straight ext. ø 29mm elbow ø inside 29mm elbow ext. ø 35mm outer hose ø 28mm
For models:	P-100, P-35, P-41, P-50, S-100, S-120, S-41, S-50, S-60, SL-18, SL-19, SL-19D, SL-20, SL-20D, SL-20E, SL-21, SL-21B, SL-21BD, SL-21D, SL-22, SL-22B, SL-22BD, SL-22D, SL-23, SL-23B, SL-23BP, SL-24, SL-290B, SL-300, SL-350B, SL-360, SL-550, SL-550B, SL-550BP, SL-560, SL-650C, SL-650C-USA, SL-800B, SL-810, X-100, X-120, X-35, X-40, X-41, X-45, X-50, X-60, X-80

formed hoses

straight


	1
GEV No. 524719	Ref. No. 2310294 (old Version)
description	formed hose hose ext. ø 40mm hose int. ø 30mm L 65mm warewashing black Qty 1
accessories for 524719	
	GEV No. 500961 Ref. No. 4309102 old version drain pump inlet ø 30mm outlet ø 23mm 100W 230V 50Hz GRE



1


GEV No.	530426	Ref. No.	2310294
description	formed hose L 66mm		
For models:	P-100, P-35, P-41, S-100, S-120, SC-1100, SC-1200, SL-1100B, SL-1100BP, SL-1200B, SL-1200BP, SL-18, SL-19, SL-19D, SL-20, SL-20D, SL-20E, SL-21BD, SL-21D, SL-22, SL-22B, SL-22BD, SL-22D, SL-23, SL-23B, SL-23BP, SL-290B, SL-350B, SL-550B, SL-550BP, SL-650C, SL-650C-USA, SL-800B, SL-900, SP-23, SP-23B, SP-290, SP-350, SP-550, SP-550B, SP-800, SV-20, SV-21, SV-21B, X-100, X-120, X-35, X-40		

form L



1

GEV No.	524733	Ref. No.	2306521 2309655
description	formed hose end piece A ext. ϕ 38mm end piece A int. ϕ 26mm AD2 ϕ 38mm ϕ end piece B 26mm L 135mm Qty 1 warewashing L-shape		
For models:	E-19, LVT-19, S-20, S-21, S-23, SB-22, SB-23, SP-23, SP-23B, SV-19, SV-20, SV-21, SV-21B		



1

GEV No.	524752	Ref. No.	2313379 2319270
description	formed hose end piece A ext. ϕ 48mm end piece A int. ϕ 38mm AD2 ϕ 41mm ϕ end piece B 29mm L 120mm Qty 1 warewashing L-shape		
For models:	S-41, SL-20D, SL-21, SL-21B, SL-21BD, SL-21D, SL-22, SL-22B, SL-22BD, SL-22D, SL-23, SL-23B, SL-23BP, SL-24, X-41		



1

GEV No.	524751	Ref. No.	2309741
description	formed hose end piece A ext. ϕ 58mm end piece A int. ϕ 44mm AD2 ϕ 44mm ϕ end piece B 26mm L 135mm Qty 1 warewashing L-shape		
For models:	E-19, S-20, S-21, SV-19, SV-20, SV-21, SV-21B		



1

GEV No.	524726	Ref. No.	2309866
description	formed hose end piece A ext. ϕ 73mm end piece A int. ϕ 60mm AD2 ϕ 75mm ϕ end piece B 63mm L 275mm warewashing L-shape Qty 1 black		
For models:	LV-1100, LV-1200, SC-1100, SC-1200		


with branch



1

GEV No.	524738	Ref. No.	2310620 2319404
description	formed hose ID ϕ 35/47mm ED ϕ 49/64mm L 395mm wash pipe with piggyback warewashing black		
For models:	P-100, S-100, S-120, SC-1100, SC-1200, SL-1100B, SL-1100BP, SL-1200B, SL-1200BP, SL-900, ST-1400, X-100, X-120		

form S



1

GEV No.	517711	Ref. No.	2307509 2310106
description	formed hose hose ext. ϕ 42/37mm hose int. ϕ 29/22mm L 400mm S-shape		
For models:	P-41, P-50, S-100, S-120, S-23, S-290, S-350, S-41, S-50, S-550, S-60, S-750, S-750A, SB-22, SB-23, SB-290, SB-350, SB-550, SB-750, SB-750A, SC-1100, SC-1200, SL-1100B, SL-1100BP, SL-1200B, SL-1200BP, SL-20, SL-20D, SL-21, SL-21B, SL-21BD, SL-21D, SL-22, SL-22B, SL-22BD, SL-22D, SL-23, SL-23B, SL-23BP, SL-290B, SL-350B, SL-360, SL-550, SL-550B, SL-550BP, SL-560, SL-650C, SL-650C-USA, SL-800B, SL-810...(Other models you can see in the webshop)		



form U



GEV No.	524739	Ref. No.	2309146
description	formed hose ext. ø 38 L 600mm warewashing black Qty 1 U-shape		
For models:	E-300, P-50, S-290, S-350, S-41, S-50, S-550, S-60, S-750, SB-290, SB-350, SB-550, SB-750, SL-290B, SL-300, SL-350B, SL-360, SL-550, SL-550B, SL-550BP, SL-560, SL-650C, SL-650C-USA, SP-290, SP-350, SP-550, SP-550B, X-41, X-45, X-60, X-80		

fastening material

screws

knurled screws



GEV No.	505271	Ref. No.	2305089 2309077
description	Thumb screw thread M8 thread L 4mm ø 28mm H 3mm SS Qty 2 pcs		
For models:	E-1000, E-18, E-19, E-300, LV-1100, LV-1200, LV-290, LV-350, LV-550, LV-750, LV-750A, LVT-18, LVT-18A, LVT-18H, P-35, P-41, P-50, S-20, S-21, S-23, S-290, S-350, S-41, S-50, S-550, S-60, S-750, S-750A, SB-22, SB-23, SB-290, SB-350, SB-550, SB-750, SB-750A, SC-1100, SC-1200, SL-1100B, SL-1100BP, SL-1200B, SL-1200BP, SL-18, SL-19, SL-19D, SL-20, SL-20D, SL-20E, SL-21, SL-21B, SL-21BD...(Other models you can see in the webshop)		

fittings, hose and pipe connectors

hose connectors

without screw connection



GEV No.	510842	Ref. No.	2309583
description	T-piece plastic hose ø 13-13-13mm 3-way		
For models:	E-1000, E-18, E-19, E-300, LV-1100, LV-1200, S-100, S-120, S-290, S-350, S-41, S-50, S-550, S-750, S-750A, SB-290, SB-350, SB-550, SB-750, SB-750A, SC-1100, SC-1200, SL-1100B, SL-1100BP, SL-1200B, SL-1200BP, SL-18, SL-19, SL-19D, SL-20, SL-20D, SL-20E, SL-21, SL-21B, SL-21BD, SL-21D, SL-22, SL-22B, SL-22BD, SL-22D, SL-23, SL-23B, SL-23BP, SL-24, SL-290B, SL-300, SL-350B, SL-360, SL-550, SL-550B...(Other models you can see in the webshop)		

consumables

fuses

fine fuses



GEV No.	358600	Ref. No.	2140423 2149131
description	fine fuse size ø5x20mm 1A slow-acting rated 250V Qty 10 pcs		
For models:	ST-1400, ST-1700, ST-2200, ST-2800, ST-3000, ST-3500, SV-604CCS, SV-604CCT, SV-604S, SV-604T, SV-606CCS, SV-606CCT, SV-606S, SV-606T, SV-806LLS, SV-806LLT, SV-806S, SV-806T, SV-810LLS, SV-810LLT, SV-810S, SV-810T, V-401SGA, V-401T, V-402SG, V-402T, V-410SG, V-410T, V-420SA, V-420SGA, V-420T, V-421SG, V-421T, V-425SGA, V-426SG, V-426T, V-640SA, V-640SGA, V-640T, V-641SG, V-641SGA, V-641T, V-820LLSGA, V-820SGA, V-820T, V-821LLSG, V-821SG, V-821T		



GEV No.	516103	Ref. No.	4309192
description	manifold plastic hose ø 12-12-12-12mm 4-way		
For models:	LVT-18, LVT-18A, LVT-18H, S-21, S-23, S-41, SB-22, SB-23, SL-20, SL-20D, SL-21, SL-21B, SL-21BD, SL-21D, SL-22, SL-22B, SL-22BD, SL-22D, SL-23, SL-23B, SL-23BP, SP-23, SP-23B, SV-18, SV-18H, SV-20, SV-21, SV-21B, X-35, X-40, X-41		

B		
bi-metal thermostats	4	
booster pumps I	18	
C		
consumables	39	
contactors	11	
control equipment	8	
control thermostats	5	
D		
door seals with fixing hook	35	
dosing pumps	36	
drain hoses	37	
drain pumps	19	
F		
fastening material	39	
fine fuses	39	
float switches	7	
formed hoses	37	
fuses	19, 39	
G		
gaskets for heated units	35	
H		
heating elements	3	
hose connectors	39	
hoses	37	
I		
immersion heating elements	3	
indicator lights	8	
indicator lights (complete)	8	
K		
knurled screws	39	
L		
lamps	8	
M		
magnetic switches	8	
microswitches	6	
motors	14	
O		
O-rings	35	
oven hinges	33	
oven lamps	9	
P		
position switches	7	
pressure switches	14	
probes	12	
programme timers	9	
pumps	15	
push/momentary push switches	5	
PVC supply hoses	37	
R		
relays	12	
rocker/momentary rocker switches	5	
rotary switches	7	
S		
safety bi-metal thermostats	4	
screws	39	
sealing washers	35	
snap locks	33	
solenoid valves	13	
supply hoses	37	
switches and momentary switches	5	
T		
thermostats	4	
timers	9	
W		
wash and rinse pumps	15	