



GAS COMPONENTS



ELECTRIC COMPONENTS



WATER TECHNOLOGY



MECHANICAL COMPONENTS



TOOLS

Spare parts suitable for

STUDIO 54

Find the complete and up-to-date range of products in our GEV Webshop



Manufacturer catalogue

The most important spare parts and accessories arranged clearly for every manufacturer

- ✓ Complete product range and all appliance data always up to date in the GEV Webshop
- ✓ Alphabetical Index at the end of the catalogue

GEV Webshop

www.gev-online.co.uk

www.gev-online.com



- 🔍 Add to Favourites
- 🔍 Sign In with email address and usual password
- 🔍 Easy-order – place several items in your basket at the same time
- 🔍 Quick Item search – no login needed



heating elements

heating elements for refrigeration

heating elements for defrosting



GEV No.	419232	Ref. No.	64740405
description	heating element 150W 230V L 480mm W 60mm tube ø 8.5mm connection length 1450mm defrosting connection 3-wire with fuse t.max. 100°C		

compressors

EMBRACO / ASPERA

R134A

HBP monophase

High evaporation temperature above -15°C



GEV No.	605189	Ref. No.	64850046
description	compressor coolant R134a type EMT6160Z 220-240V 50Hz HBP 7.8kg 1/4HP cylinder capacity 6.76cm ³ CSIR H 166mmWWW 325W 412W 513W 630W 762W 910W ambient temperature max. 45°C		



GEV No.	605209	Ref. No.	64850086
description	compressor coolant R134a type NEK6187Z-A 220-240V 50Hz HBP 11kg 1/3HP cylinder capacity 10cm ³ CSIR H 200mmWWW 365W 482W 624W 791W 983W 1201W test method EN 12900 ambient temperature max. 55°C		



GEV No.	605079	Ref. No.	64850040
description	compressor coolant R134a type NT6215Z 220-240V 50Hz HBP fully hermetic 17kg 1/2HP cylinder capacity 17.4cm ³ CSIR H 207mmWWW 484W 646W 843W 1071W 1326W 1606W test method EN 12900		

R404a/R507

LBP monophase

Lower evaporation temperature below -20°C



GEV No.	605260	Ref. No.	64850045
description	compressor coolant R404A type NT2192GK 220/240V 50Hz LBP 17.5kg 1.1HP cylinder capacity 22.37cm ³ CSCR 815W 1066W 1361W 1701W 2085WWWWW		

fans

refrigeration fans

cold air circulating fans (complete)

ebm-papst


R2E series



GEV No.	601536	Ref. No.	64840010
description	fan R2E190-A026-73 fan wheel ø 190mm blades 6 230V 50/60Hz 58/75W ø 190mm H 70mm 2700rpm cable length 450mm rotation direction right ebm-papst sucking suitable capacitor 2µF		
spare parts for	601536		
GEV No.	365170	Ref. No.	—
description	capacitor capacity 2µF 425V tolerance 5% 50/60Hz ambient temperature max. -25 to +85°C ø 25mm L 49mm M8 plastic connection cable 250mm 416.17.74 protection		

handles and hand wheels

bracket handles

			
1			
GEV No.	690451	Ref. No.	64700185
description	pull handle L 426mm H 40mm mounting distance 376mm black		


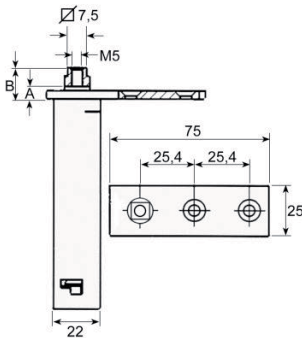
hinges

spring assisted hinges

universal

INTERKLIMAT

hinges

			
1			
			
GEV No.	690714	Ref. No.	64700125 64700128 64700160
description	spring assisted hinge series 28XC mounting pos. left/right L 75mm W 25mm H 103mm A 8mm B 11mm intake 7.5x7.5 refrigeration units mounting distance 25mm		

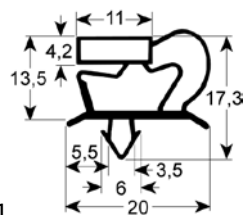
gaskets

refrigeration gaskets

plug-in gaskets

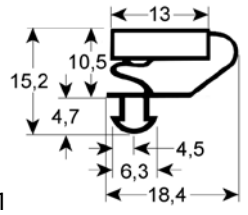
profile 9048

We offer custom-made gaskets for this profile

			
1			
GEV No.	901677	Ref. No.	64700010
description	refrigeration gasket profile 9048 W 650mm L 1550mm plug size		

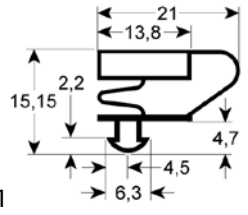
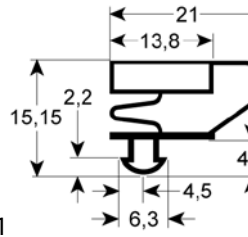
profile 9703

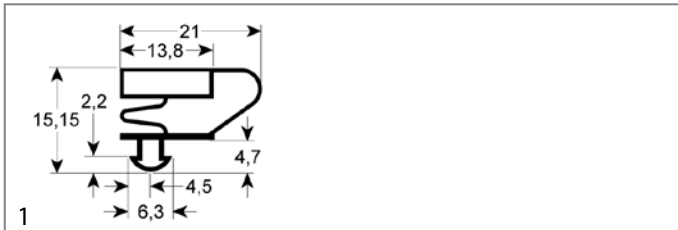
We offer custom-made gaskets for this profile

			
1			
GEV No.	901791	Ref. No.	64600000
description	refrigeration gasket profile 9703 W 659mm L 731mm plug size		

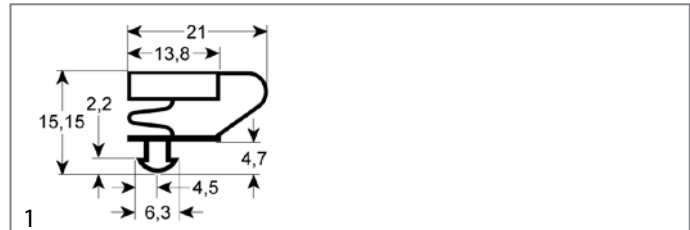
profile 9704

We offer custom-made gaskets for this profile

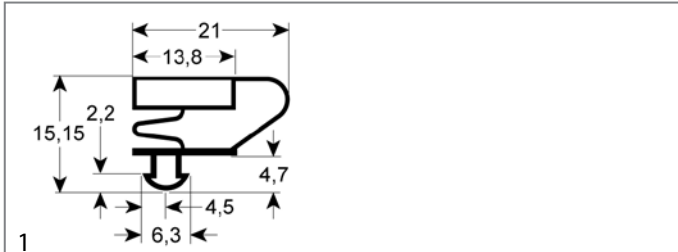
			
1			
GEV No.	902411	Ref. No.	64691036
description	refrigeration gasket profile 9704 W 285mm L 415mm plug size		
			
1			
GEV No.	901031	Ref. No.	N/A
description	refrigeration gasket profile 9704 W 295mm L 423mm plug size L1 414mm W1 286mm external size		



GEV No.	902414	Ref. No.	64691084
description	refrigeration gasket profile 9704 W 395mm L 708mm plug size		



GEV No.	902299	Ref. No.	N/A
description	refrigeration gasket profile 9704 Wmm L 2500mm		



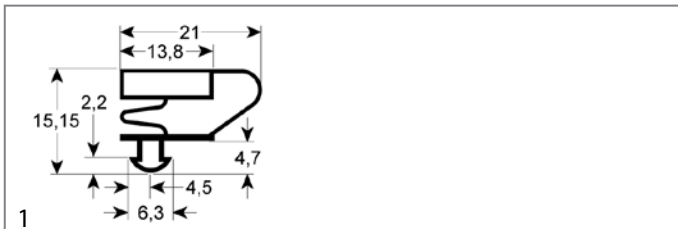
GEV No.	901030	Ref. No.	64691002
description	refrigeration gasket profile 9704 W 423mm L 620mm plug size L1 611mm W1 414mm external size		

profile 9753

We offer custom-made gaskets for this profile



GEV No.	901032	Ref. No.	64691038 N/A
description	refrigeration gasket profile 9753 W 186mm L 423mm plug size		

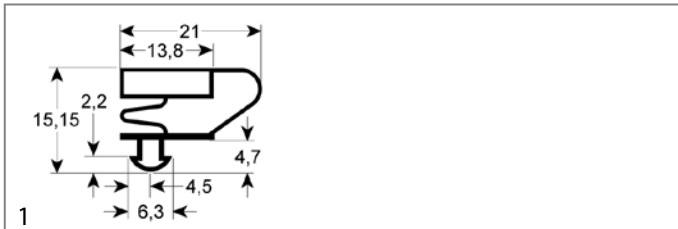


GEV No.	902412	Ref. No.	64691020 64700055
description	refrigeration gasket profile 9704 W 454mm L 533mm plug size		

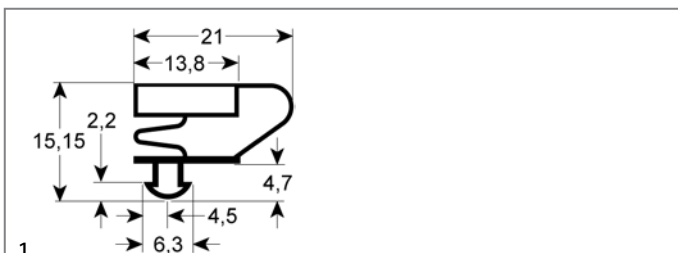
evaporation and condensing trays
unheated condensing trays



GEV No.	699209	Ref. No.	64860132
description	drip tray L 420mm W 85mm H 35mm for evaporator		



GEV No.	902413	Ref. No.	64691004
description	refrigeration gasket profile 9704 W 475mm L 610mm plug size		



GEV No.	902131	Ref. No.	N/A
description	refrigeration gasket profile 9704 W 669mm L 1552mm plug size		

C

cold air circulating fans (complete)	3
compressors	3

F

fans	3
------	---

H

heating elements	3
heating elements for defrosting	3
heating elements for refrigeration	3

P

plug-in gaskets	4
-----------------	---

R

refrigeration fans	3
refrigeration gaskets	4

S

spring assisted hinges	4
------------------------	---