



GAS COMPONENTS



ELECTRIC COMPONENTS



WATER TECHNOLOGY



MECHANICAL COMPONENTS



TOOLS

Spare parts suitable for

UNIC

Find the complete and up-to-date range of products in our GEV Webshop



Manufacturer catalogue

The most important spare parts and accessories arranged clearly for every manufacturer

- ✓ Complete product range and all appliance data always up to date in the GEV Webshop
- ✓ Alphabetical Index at the end of the catalogue

GEV Webshop

www.gev-online.co.uk

www.gev-online.com







- 🔍 Add to Favourites
- 🔍 Sign In with email address and usual password
- 🔍 Easy-order – place several items in your basket at the same time
- 🔍 Quick Item search – no login needed



heating elements

heating elements for coffee machine

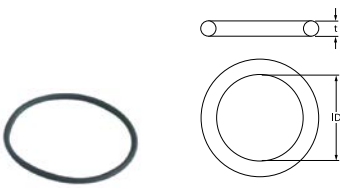
 <p>1</p>			
GEV No.	417148	Ref. No.	N/A
description	heating element 2500W 230V heating circuits 3 mounting ø 57mm hole distance 63mm L 243mm W 29mm H 63mm hole ø 9mm tube ø 8.5mm connection M6 immersion heater 4 hole flange		
accessories for	417148		
 <p>GEV No. 528902 Ref. No. N/A</p> <p>O-ring EPDM thickness 3.53mm ID ø 66.27mm Qty 1 pcs</p>			

 <p>1</p>			
GEV No.	417149	Ref. No.	N/A
description	heating element 4000W 230V heating circuits 3 mounting ø 57mm hole distance 63mm L 275mm W 47mm H 42mm hole ø 9mm tube ø 8mm connection M6 immersion heater 4 hole flange		
accessories for	417149		
 <p>GEV No. 528902 Ref. No. N/A</p> <p>O-ring EPDM thickness 3.53mm ID ø 66.27mm Qty 1 pcs</p>			

accessories

sealing washers

O-rings

 <p>1</p>			
GEV No.	528902	Ref. No.	N/A
description	O-ring EPDM thickness 3.53mm ID ø 66.27mm Qty 1 pcs		

relays

level relays

miscellaneous



 <p>1</p>			
GEV No.	400558	Ref. No.	N/A
description	level relay 230V connection male faston 6.3mm type NM279		

pumps

booster pumps II

pump heads

FLUID-O-TECH

 <p>1</p>			
GEV No.	504382	Ref. No.	N/A
description	pump head PR204 FLUID-O-TECH L 82mm 200l/h connection 3/8" NPT with bypass brass clip connection coffee machine parts shaft ø 11mm		
spare parts for	504382		
 <p>GEV No. 520952 Ref. No. —</p> <p>coupling ø 20mm H 26.5mm shaft diameter 5x11mm shaft intake 1 with gear teeth ø11mm</p>			

equipment-specific units

for espresso machines

filter holders

filter holders standard

filter holders short

 <p>1</p>			
GEV No.	529212	Ref. No.	N/A
description	filter holder		

filters

for 1 cup



1

GEV No.	529210	Ref. No.	N/A
description	coffee filter ϕ 68mm mounting ϕ 59.5mm H 22mm cups 1 amount of coffee 7g		

for 2 cups



1

GEV No.	529211	Ref. No.	N/A
description	coffee filter ϕ 68mm mounting ϕ 60mm H 23.5mm cups 2 amount of coffee		

filter holder springs



1

GEV No.	531243	Ref. No.	N/A
description	filter holder spring L 70mm W 60mm wire gauge ϕ 1.3mm for espresso filter holder Qty 20 pcs		

brewing units

shower screens

flat



1

GEV No.	528906	Ref. No.	N/A
description	shower screen ϕ 27mm hole ϕ 5.1mm		

with upstand and central hole



1

GEV No.	531287	Ref. No.	ID-103
description	shower screen ϕ 57.5mm		

filter holder gaskets

flat

with chamfer



1

GEV No.	528087	Ref. No.	N/A
description	filter holder gasket D1 ϕ 74mm D2 ϕ 57mm H 9mm		

gaskets

O-rings

EPDM



1

GEV No.	528902	Ref. No.	N/A
description	O-ring EPDM thickness 3.53mm ID ϕ 66.27mm Qty 1 pcs		

manometers



1

GEV No.	541294	Ref. No.	N/A
description	manometer double scale ϕ 60mm pressure range 0-3.5/0-6bar connection on the backside thread 1/8"		



1

GEV No.	541295	Ref. No.	N/A
description	manometer double scale ϕ 63mm pressure range 0-2.5 / 0-15bar connection on the backside thread 1/8"		



1

GEV No.	541279	Ref. No.	26-030
description	manometer double scale ϕ 63mm pressure range 0-2.5 / 0-25bar connection on the backside thread 1/8"		

B

booster pumps II 3

H

heating elements 3

heating elements for coffee machine 3

O

O-rings 4

P

pumps 3

R

relays 3