



GAS COMPONENTS



ELECTRIC COMPONENTS



WATER TECHNOLOGY



MECHANICAL COMPONENTS



TOOLS

Spare parts suitable for

ZOIN

Find the complete and up-to-date range of products in our GEV Webshop



Manufacturer catalogue

The most important spare parts and accessories arranged clearly for every manufacturer

- ✓ Complete product range and all appliance data always up to date in the GEV Webshop
- ✓ Alphabetical Index at the end of the catalogue

GEV Webshop

www.gev-online.co.uk

www.gev-online.com



- 🔍 Add to Favourites
- 🔍 Sign In with email address and usual password
- 🔍 Easy-order – place several items in your basket at the same time
- 🔍 Quick Item search – no login needed



heating elements

heating elements for refrigeration

heating elements for condensate evaporation



GEV No.	416984	Ref. No.	R010-REU250 R010-RMU251
description	heating element 270W 230V L 230mm W 36mm cable length 4000/100mm tube ø 8.3mm condensate evaporation		

condensing trays heated



GEV No.	750516	Ref. No.	EV-V000016
description	condensing tray L 465mm W 178mm H 180mm 800W 230V		



GEV No.	750517	Ref. No.	EV-V000017
description	condensing tray L 468mm W 300mm H 120mm 800W 230V total length 525mm overall height 160mm		
spare parts for	750517		
	GEV No.	417744	Ref. No. R010-REU500
description	heating element 400W 230V L 485mm W 70mm H 9.5mm heating circuits 1 cable length 500mm defrosting		

heating cartridges



GEV No.	417612	Ref. No.	R010-PTC/3
description	heating cartridge 400W 230V L 283mm ø 12.2mm thread 3/8" cable length 1500mm for tank		

thermostats

control and safety thermostats

PRODIGY / FIRT

control thermostats



GEV No.	390723	Ref. No.	R0470000
description	thermostat PRODIGY temperature range -35 up to +35°C probe ø 6mm probe L 110mm capillary pipe 1500mm type TR/711-N		
accessories for	390723		
	GEV No.	110305	Ref. No. —
description	knob thermostat t.max. 35°C temperature range -35 up to +35°C ø 45mm shaft ø 6x4.6mm shaft flat inclined rotation 270° white		

switches and momentary switches

rocker/momentary rocker switches

30x22mm



GEV No.	301020	Ref. No.	R024
description	momentary rocker switch mounting measurements 30x22mm red 2NO 250V 16A illuminated 0-I connection male faston 6.3mm ambient temperature max. 100/55°C protection IP65		



GEV No.	301001	Ref. No.	R042
description	rocker switch mounting measurements 30x22mm red 2NO 250V 16A illuminated 0-I connection male faston 6.3mm ambient temperature max. 125/55°C protection IP65		
accessories for	301001		
	GEV No.	301036	Ref. No. —
description	protective cover internal size 30x22mm for rocker switch mounting measurementsmm		



timers

defrost timers

BIGATTI



1

GEV No.	360055	Ref. No.	R0480000
description	defrost timer type SB3.81 defrosting interval 1-12x in 24h defrosting time 2-54min fan delaymin 230V		

electronic controllers

CAREL

refrigeration controllers

built-in version



1

GEV No.	378030	Ref. No.	R055PJ32 R055PJEZSNH000K
description	electronic controller CAREL PJEZSNH000K mounting measurements 71x29mm built-in depth 31mm 230V voltage AC NTC relay outputs 1 CO-12A(2) NTC NTC yes protection IP54 incl. bezel°C display 2½ digit		
accessories for	378030		
	GEV No.	Ref. No.	—
	378261		
	temperature probe NTC 10kOhm cable thermoplastic probe -40 up to +110°C cable -40 up to +110°C probe ø6x35mm cable length 3m without screw connection 2-wire		
	GEV No.	Ref. No.	—
	379057		
	temperature probe NTC 10kOhm cable PVC probe -20 up to +80°C cable -10 up to 100°C probe ø6x25mm cable length 3m 2-wire		
	GEV No.	Ref. No.	—
	379160		
	temperature probe NTC 10kOhm cable thermoplastic probe -40 up to +110°C cable -40 up to +110°C probe ø6x14mm cable length 1.5m without screw connection 2-wire		
	GEV No.	Ref. No.	—
	379161		
	temperature probe NTC 10kOhm cable thermoplastic probe -40 up to +110°C cable -40 up to +110°C probe ø6x14mm cable length 3m without screw connection 2-wire		
	GEV No.	Ref. No.	—
	379342		
	temperature probe NTC 10kOhm cable PVC probe -20 up to +80°C cable -10 up to 100°C probe ø6x25mm cable length 1.5m 2-wire protection IP67		
	GEV No.	Ref. No.	—
	379343		
	temperature probe NTC 10kOhm cable silicone probe -40 up to +110°C cable -50 up to +180°C probe ø6x40mm cable length 3m 2-wire		
	GEV No.	Ref. No.	—
	379458		
	temperature probe NTC 10kOhm cable silicone probe -40 up to +110°C cable -50 up to +180°C probe ø6x40mm cable length 1.5m without screw connection 2-wire		

accessories for	378030		
	GEV No.	Ref. No.	—
	379784		
	temperature probe NTC 2kOhm cable thermoplastic probe -40 up to +110°C cable -40 up to +110°C probe ø6x35mm cable length 2m without screw connection 2-wire resistor 2kOhm		
	GEV No.	Ref. No.	—
	379860		
	temperature probe NTC 10kOhm cable PVC probe -20 up to +80°C cable -10 up to 100°C probe ø6x40mm cable length 1.5m without screw connection 2-wire		

compressors

EMBRACO / ASPERA

R404a/R507

HMBP monophase

High/Medium evaporation temperature above -20/-15 °C

1

GEV No.	605133	Ref. No.	R093C-E9213GK
description	compressor coolant R404a/R507 type NE9213GK 220-240V 50Hz HMBP 12kg 1/2HP cylinder capacity 12.12cm³ CSR H 205mmWWWW 862W 1080W 1327W 1602WW		

fans

axial fans

import



1

GEV No.	698721 ¹	Ref. No.	R030-FP-108-1-B
description	axial fan L 119mm W 119mm H 38mm 230VAC 50/60Hz 17/15W bearing ball bearing manuf. no. connection cable cable length 3000mm COMMONWEALTH fan wheel ø 110mm temp.-resist. 70°C input current 0.1A airflow 130m³/h 2600rpm		

¹with ball bearings



equipment-specific units

for fridges

miscellaneous




1

GEV No.	692565	Ref. No.	R003-1
description	door L 635mm W 300mm D 37mm Qty 1 pcs		
accessories for	692565		
	GEV No.	901128	Ref. No. R053/1
	refrigeration gasket profile 9703 W 295mm L 612mm plug size L1 600mm W1 285mm external size		

for display coolers


glass panels

accessories



1

GEV No.	694256	Ref. No.	R005R
description	gasket for glass plate D1 ø 15mm D2 ø 4.5mm thickness 1mm PVC		




1

GEV No.	694255	Ref. No.	R005V
description	Thumb screw for glass plate thread M4 L 18mm		


hinges


edgemount hinges

miscellaneous




1

GEV No.	692587	Ref. No.	R052/1+R052P/1
description	door hinge L 80mm W 18mm mounting distance 30mm hinging left/right without lift plastic centre of rotation 23mm Qty 2 pcs		
accessories for	692587		
	GEV No.	692618	Ref. No. R052SP/1
	edgemount hinge L 81mm W 40mm mounting distance 30/60mm hinging left/right without lift plastic		



1

GEV No.	692618	Ref. No.	R052SP/1
description	edgemount hinge L 81mm W 40mm mounting distance 30/60mm hinging left/right without lift plastic		
accessories for	692618		
	GEV No.	692587	Ref. No.
	door hinge L 80mm W 18mm mounting distance 30mm hinging left/right without lift plastic centre of rotation 23mm Qty 2 pcs		

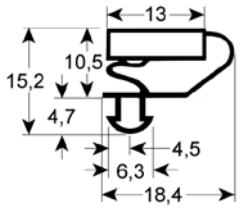
gaskets

refrigeration gaskets

plug-in gaskets

profile 9703

We offer custom-made gaskets for this profile



1

GEV No.	901128	Ref. No.	R053/1
description	refrigeration gasket profile 9703 W 295mm L 612mm plug size L1 600mm W1 285mm external size		

evaporators

for fridges

producer-specific



1

GEV No.	750514	Ref. No.	R096ESSHL150
description	evaporator L 1180mm W 175mm H 70mm total length 1240mm overall width 175mm mounting distance 1 158mm		



1

GEV No.	750513	Ref. No.	R096ESSJJ200
description	evaporator L 1590mm W 175mm H 70mm total length 1650mm overall width 175mm mounting distance 1 158mm		



measuring equipment

thermometers

built-in thermometers

battery powered



GEV No.	378494	Ref. No.	R041E000
description	thermometer mounting measurements 45x26mm front measurements 48x28.5mm battery comp. rear cable length 2000mm probe ø 5mm probe L 19mm		

GEV No.	750518	Ref. No.	R096ESSJJ250
description	evaporator L 2105mm W 175mm H 70mm total length 2145mm overall width 175mm overall height 100mm mounting distance 165mm refrigeration		

GEV No.	750515	Ref. No.	R096EISJJ200
description	evaporator L 985mm W 105mm H 70mm total length 1050mm overall width 105mm mounting distance 185mm		

for display coolers

GEV No.	750704	Ref. No.	R096ESSHL250
description	evaporator L 2150mm W 175mm H 80mm		

A

axial fans 4

C

compressors 4

D

defrost timers 4

E

edgemount hinges 5

electronic controllers 4

evaporators 5

F

fans 4

H

heating cartridges 3

heating elements 3

heating elements for condensate evaporation 3

heating elements for refrigeration 3

M

measuring equipment 6

P

plug-in gaskets 5

R

refrigeration gaskets 5

rocker/momentary rocker switches 3

S

switches and momentary switches 3

T

thermostats 3

timers 4